



US00D487264S

(12) **United States Design Patent**  
**Tosh et al.**

(10) **Patent No.:** **US D487,264 S**  
(45) **Date of Patent:** **\*\* Mar. 2, 2004**

(54) **COMPUTER SYSTEM**

(75) Inventors: **Andrew P. Tosh**, Arlington, MA (US);  
**Christopher H. Frank**, San Jose, CA (US);  
**Edward J. Cornelius, III**, San Francisco, CA (US);  
**James Mark Stanton**, San Jose, CA (US);  
**June Lee**, San Francisco, CA (US)

(73) Assignee: **Sun Microsystems, Inc.**, Santa Clara, CA (US)

(\*\*) Term: **14 Years**

(21) Appl. No.: **29/176,851**

(22) Filed: **Feb. 28, 2003**

(51) **LOC (7) Cl.** ..... **14-02**

(52) **U.S. Cl.** ..... **D14/301; D14/445**

(58) **Field of Search** ..... D14/300-313,  
D14/348-356, 441, 444, 445; 312/223.2;  
361/683, 684, 687, 690, 695, 724-730,  
796

(56) **References Cited**

**U.S. PATENT DOCUMENTS**

D374,216 S 10/1996 Paul  
5,691,879 A 11/1997 Lopez et al.  
6,076,142 A 6/2000 Corrington et al.

6,219,235 B1 \* 4/2001 Diaz et al. .... 361/695  
D456,019 S 4/2002 Frank et al.  
6,381,130 B1 \* 4/2002 Yen ..... 361/725 X  
D460,963 S \* 7/2002 Mautz et al. .... D14/313  
D466,124 S \* 11/2002 Lee et al. .... D14/445  
D469,778 S \* 2/2003 Mautz et al. .... D14/445  
D474,186 S 5/2003 Frank et al.  
6,565,163 B2 \* 5/2003 Behl et al. .... 312/223.1  
D476,324 S 6/2003 Tosh et al.  
2002/0166020 A1 11/2002 Irving et al.

\* cited by examiner

*Primary Examiner*—Joel Sincavage

(74) *Attorney, Agent, or Firm*—Lawrence J. Merkel;  
Meyertons, Hood, Kivlin, Kowert & Goetzel, P.C.

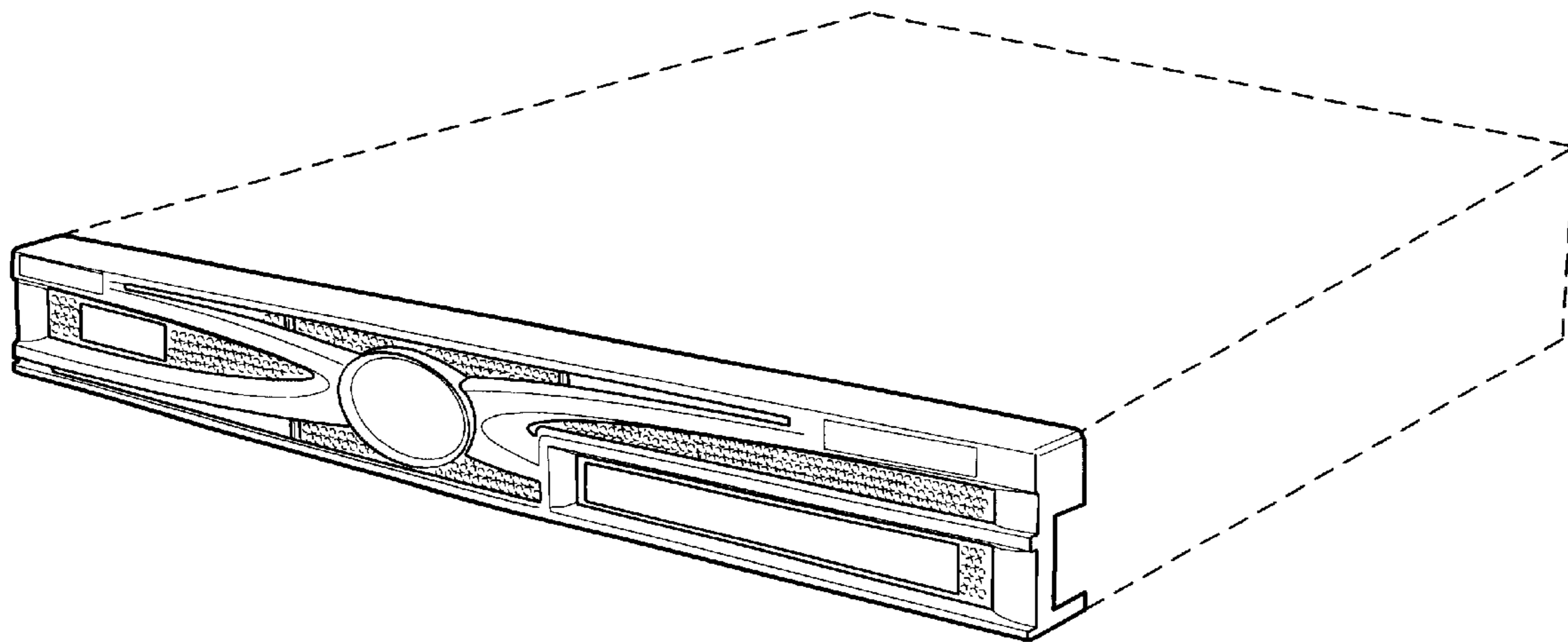
(57) **CLAIM**

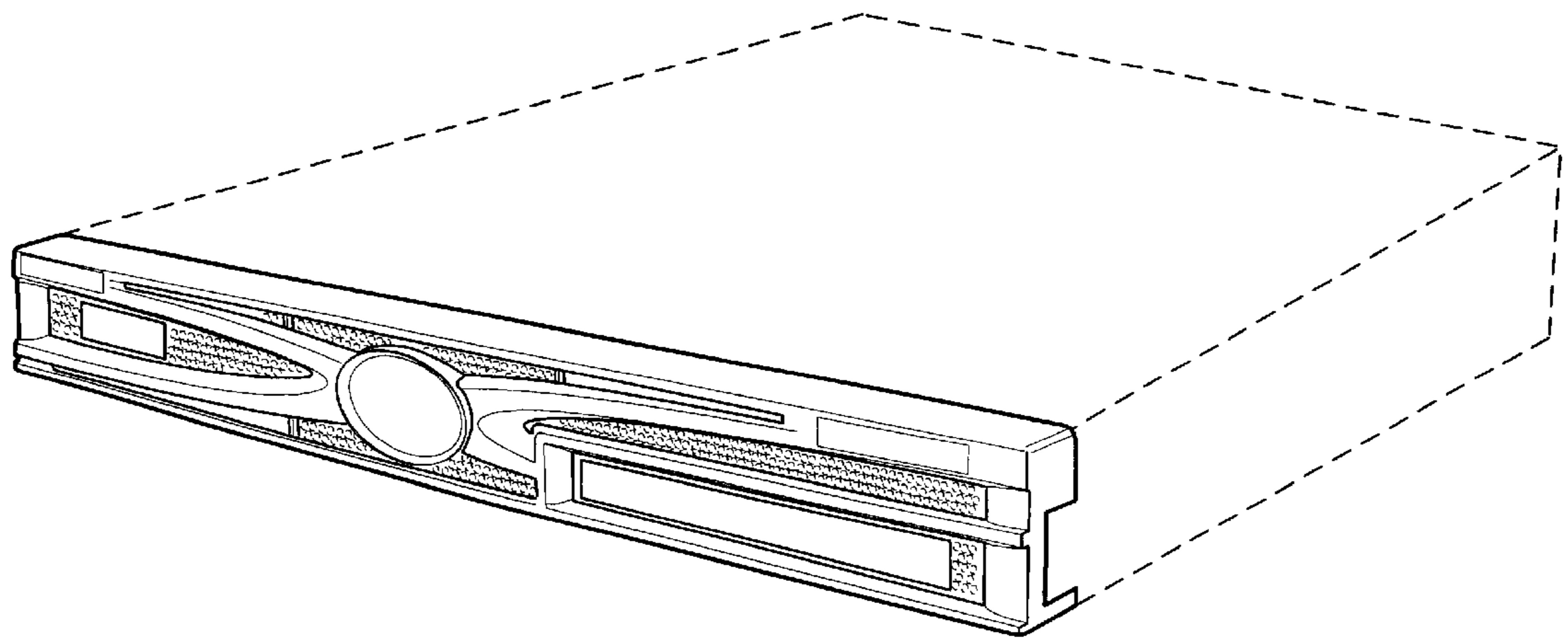
The ornamental design for a computer system, as shown and described.

**DESCRIPTION**

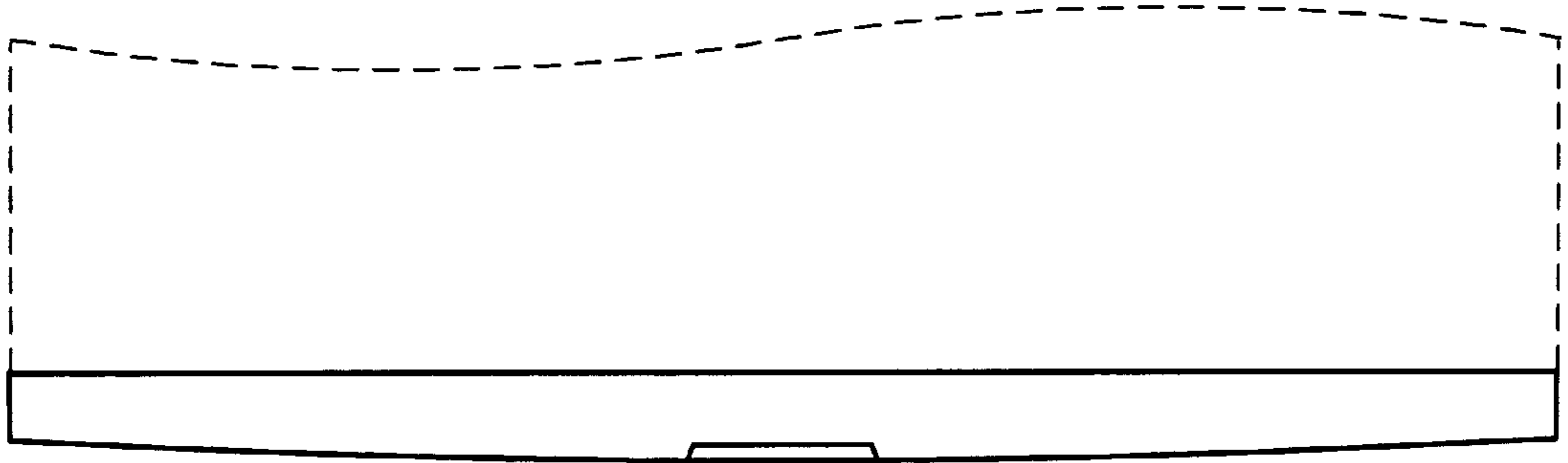
FIG. 1 is a front perspective view of a computer system;  
FIG. 2 is a top view of a computer system;  
FIG. 3 is a front view of a computer system; and,  
FIG. 4 is a bottom view of a computer system.  
The broken lines throughout the drawings are included for the purpose of illustrating portions of the system that form no part of the claimed design.

**1 Claim, 2 Drawing Sheets**

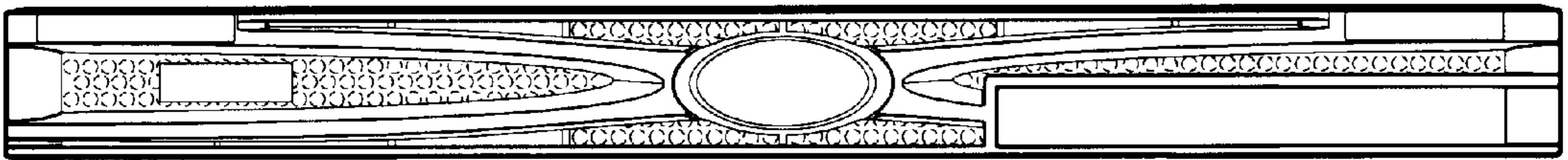




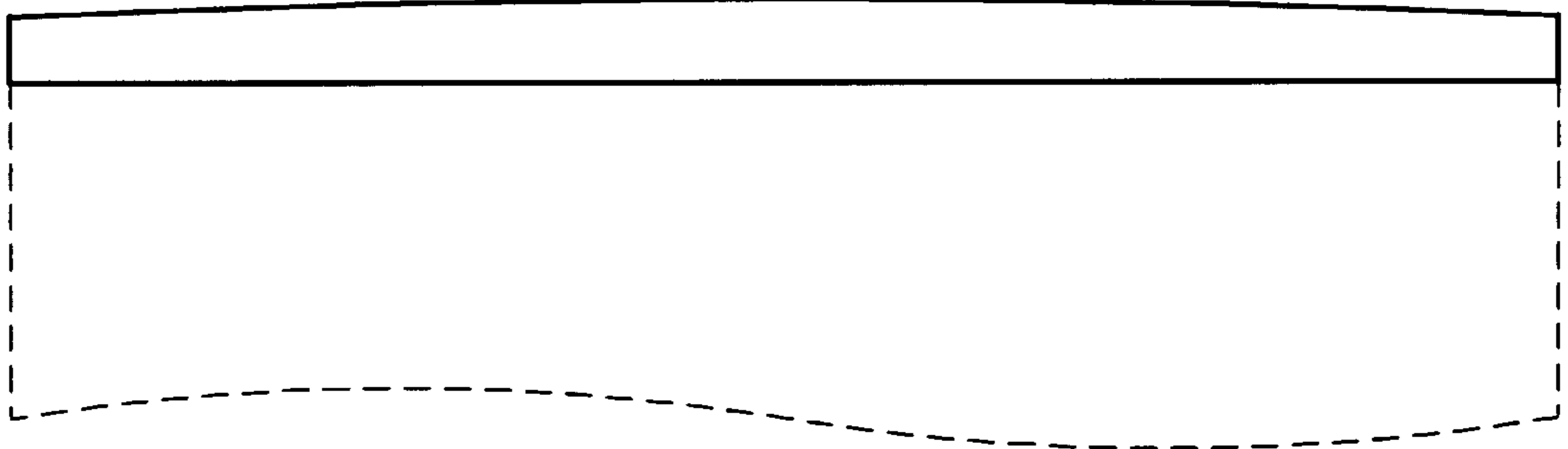
*Fig. 1*



*Fig. 2*



*Fig. 3*



*Fig. 4*