



US00D487262S

(12) **United States Design Patent**
van Engelen et al.

(10) **Patent No.:** **US D487,262 S**

(45) **Date of Patent:** **** Mar. 2, 2004**

(54) **OPTICAL TRANSCEIVER**

(75) Inventors: **Ferdinand J. van Engelen**, Bellevue, WA (US); **Brady A. Olason**, Edmonds, WA (US); **Oliver F. Grabes**, London (GB); **Guy Fly**, Redmond, WA (US); **Richard B. Riday**, Kirkland, WA (US); **Lawrence C. Stapleton**, Seattle, WA (US); **Harold A. Brown**, Renton, WA (US); **Sean Driggers**, Bellevue, WA (US); **Eric Davis**, Redmond, WA (US)

(73) Assignee: **Terabeam Corporation**, Kirkland, WA (US)

(**) Term: **14 Years**

(21) Appl. No.: **29/169,375**

(22) Filed: **Oct. 18, 2002**

(51) **LOC (7) Cl.** **14-02**

(52) **U.S. Cl.** **D14/240**

(58) **Field of Search** D14/240, 242, D14/137, 356, 358, 299; 379/419, 428.01, 440; 355/39; 455/575.1; 359/237, 618

(56) **References Cited**

U.S. PATENT DOCUMENTS

D297,328 S * 8/1988 Nozo et al. D14/358

D336,089 S * 6/1993 Crawshaw et al. D14/299
D357,197 S * 4/1995 Suzuki D14/358
D357,906 S * 5/1995 Fukushima D14/358
D382,255 S * 8/1997 Moffatt D14/358
D385,535 S * 10/1997 Summit et al. D14/358
D424,554 S * 5/2000 Overton et al. D14/137
D448,374 S * 9/2001 Liu D14/358

* cited by examiner

Primary Examiner—Charles A. Rademaker
(74) *Attorney, Agent, or Firm*—Blakely, Sokoloff, Taylor, & Zafman, LLP

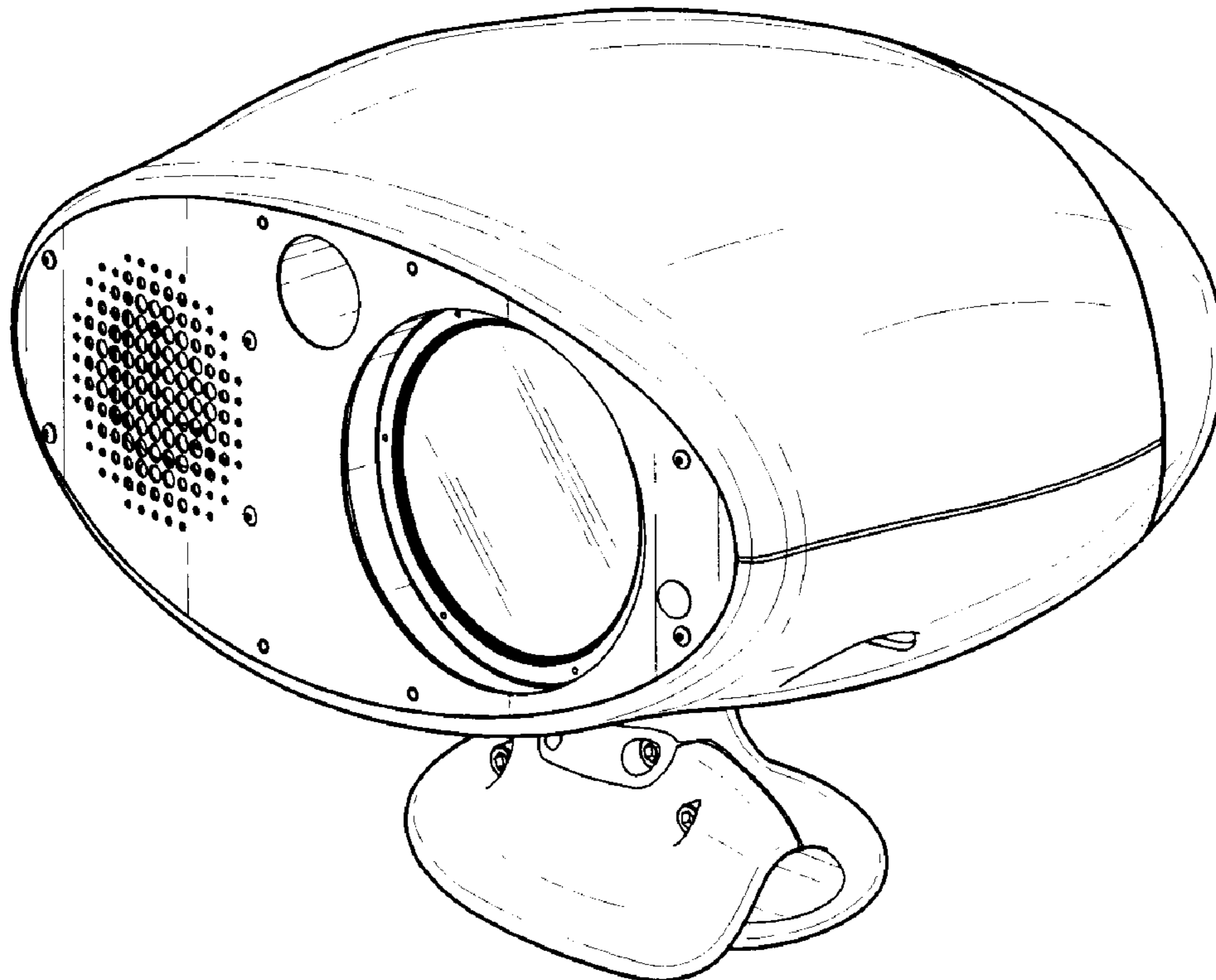
(57) **CLAIM**

We claim the ornamental design for an optical transceiver, substantially as shown and described.

DESCRIPTION

FIG. 1 is a front perspective view of an optical transceiver showing my inventive design;
FIG. 2 is rear perspective view thereof;
FIG. 3 is a front elevation view thereof.
FIG. 4 is a rear elevation view thereof;
FIG. 5 is a top plan view thereof;
FIG. 6 is a bottom plan view thereof;
FIG. 7 is a left side elevation view thereof; and,
FIG. 8 is a right side elevation view thereof.

1 Claim, 4 Drawing Sheets



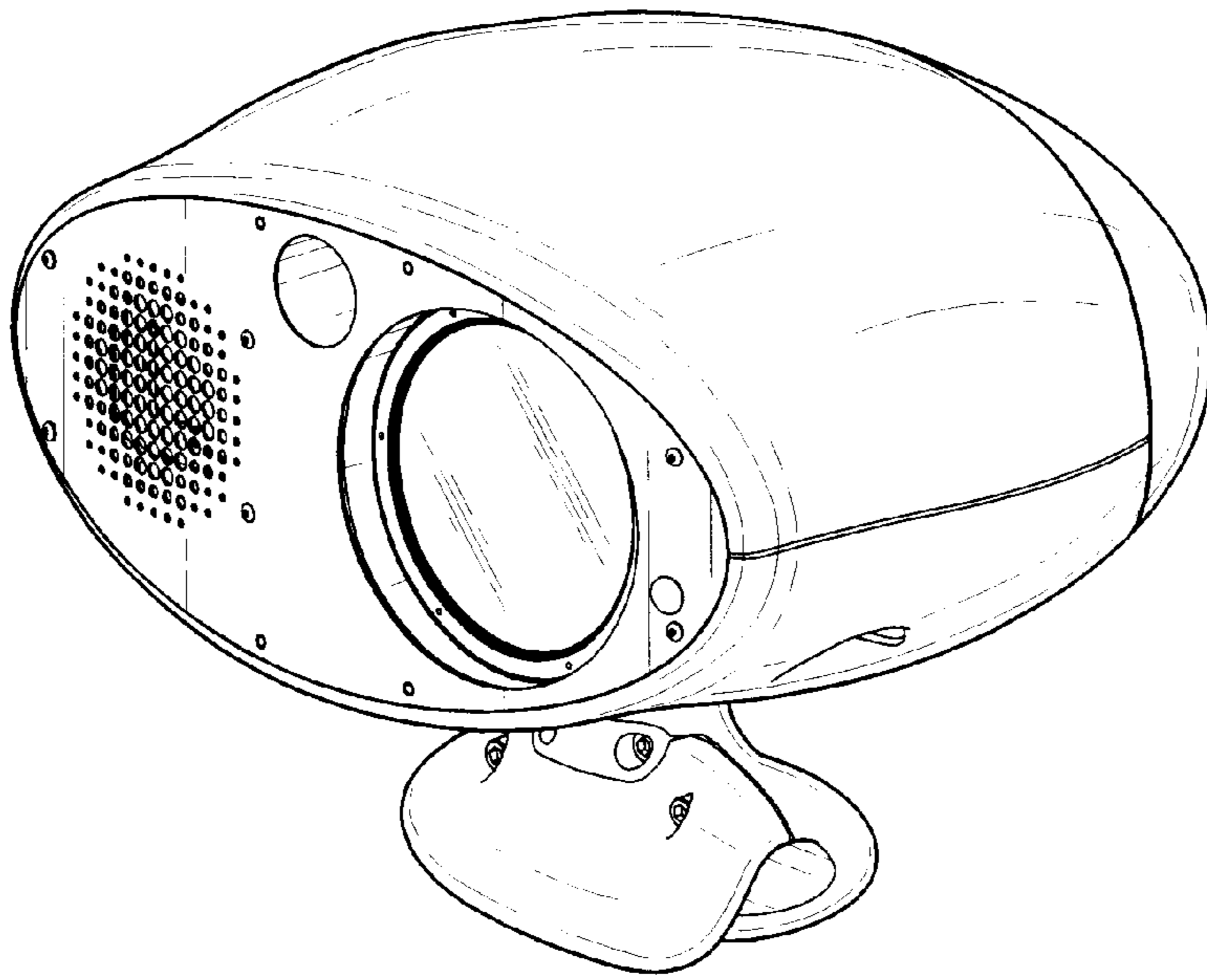


Fig. 1

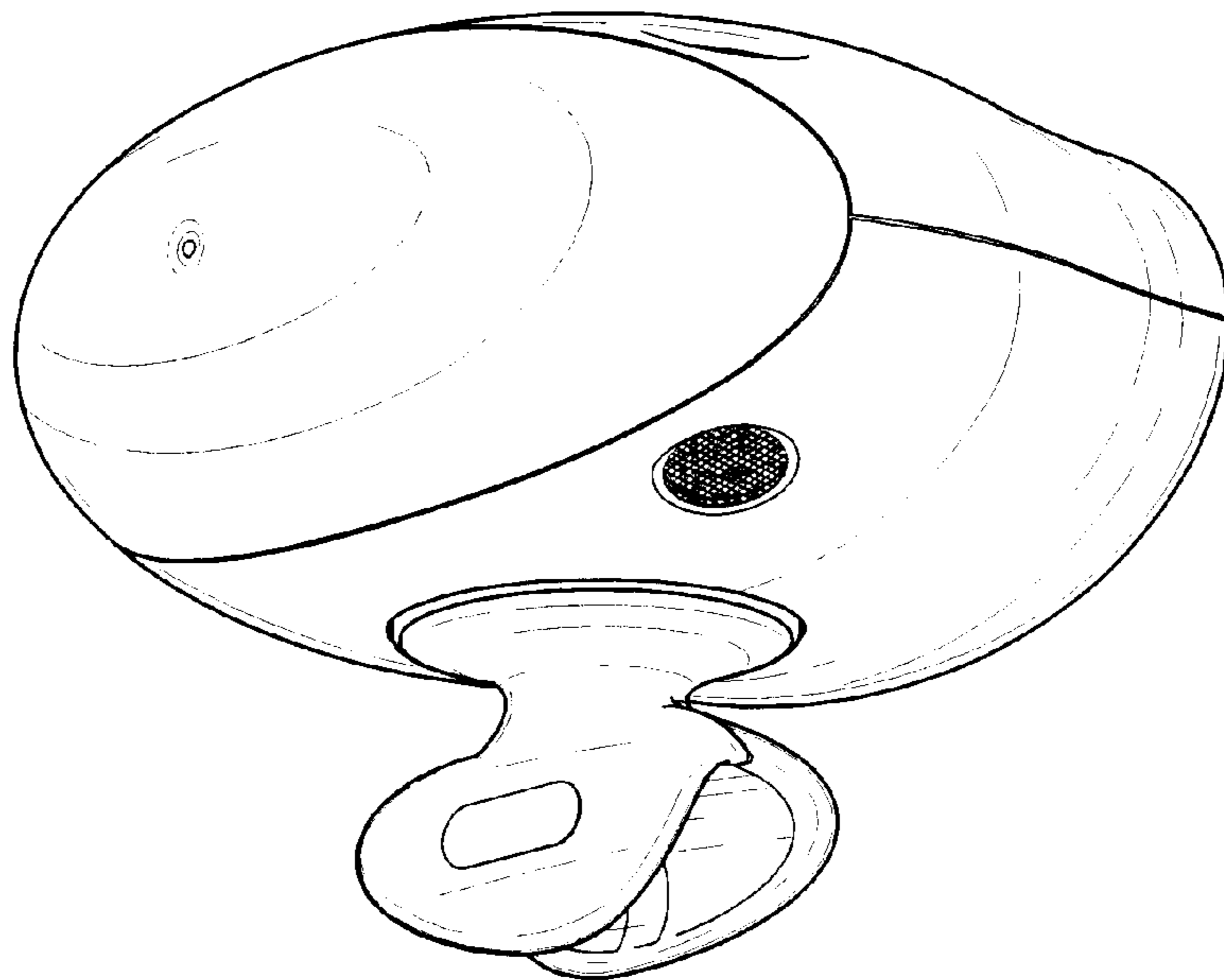


Fig. 2

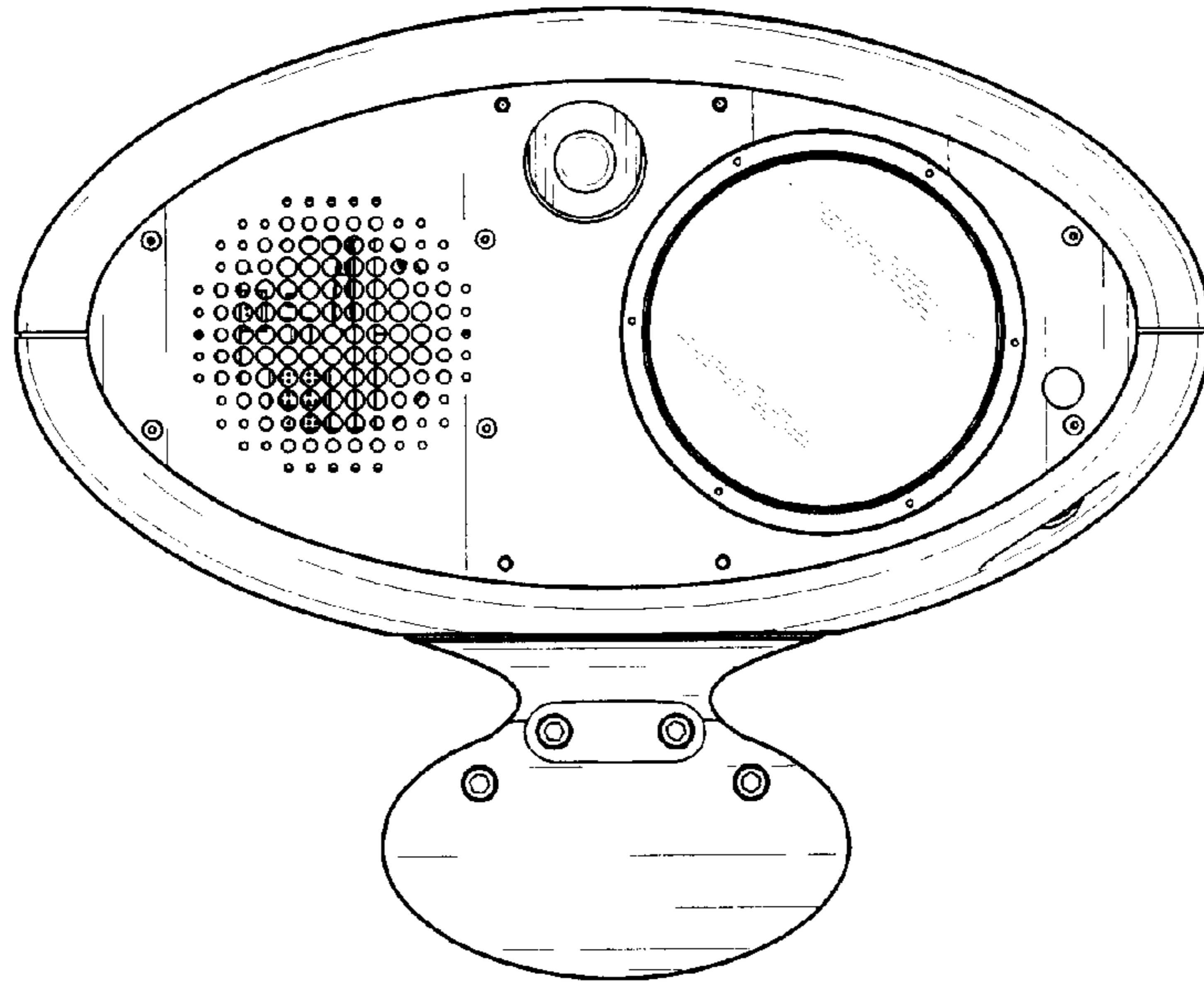


Fig. 3

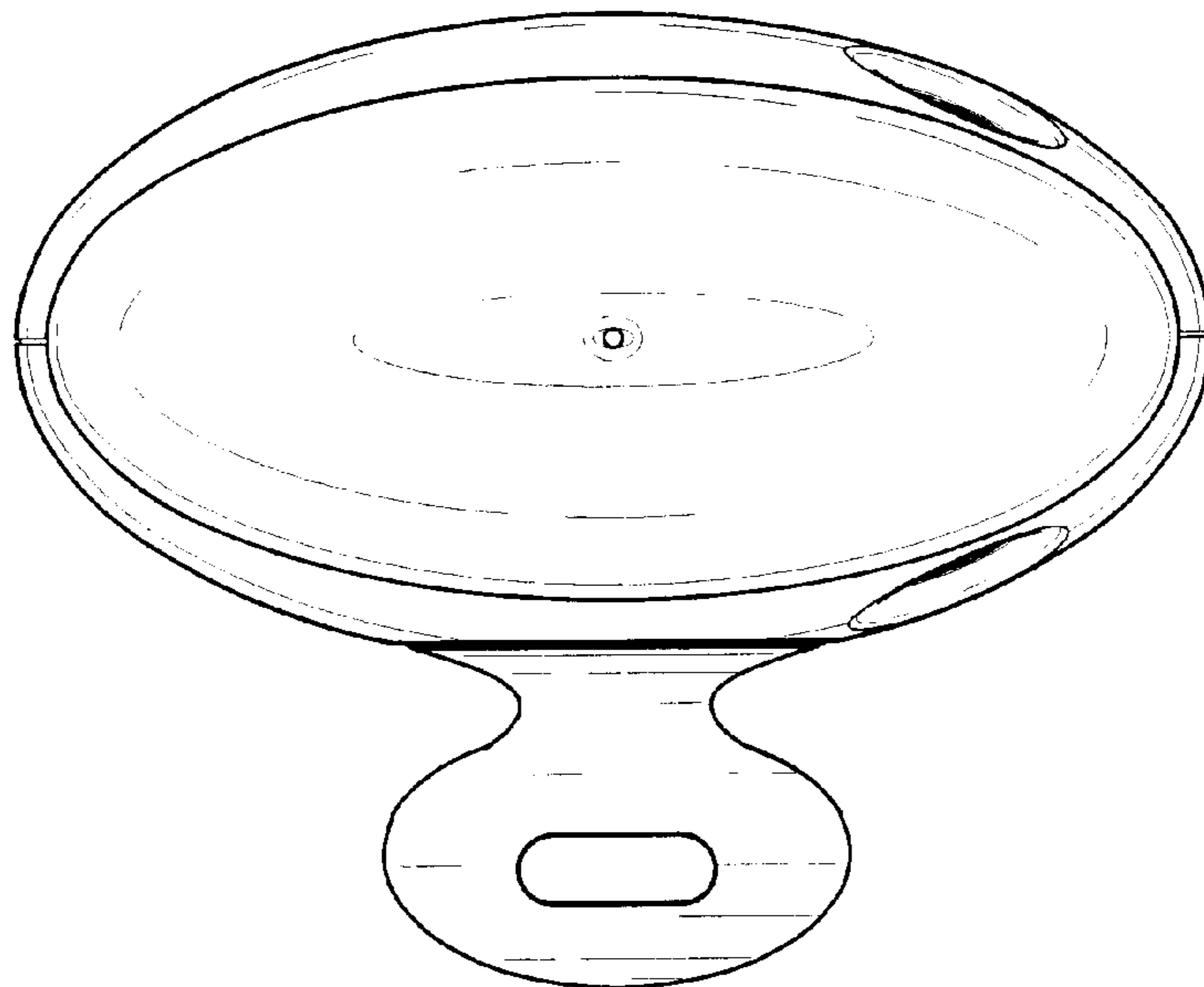


Fig. 4

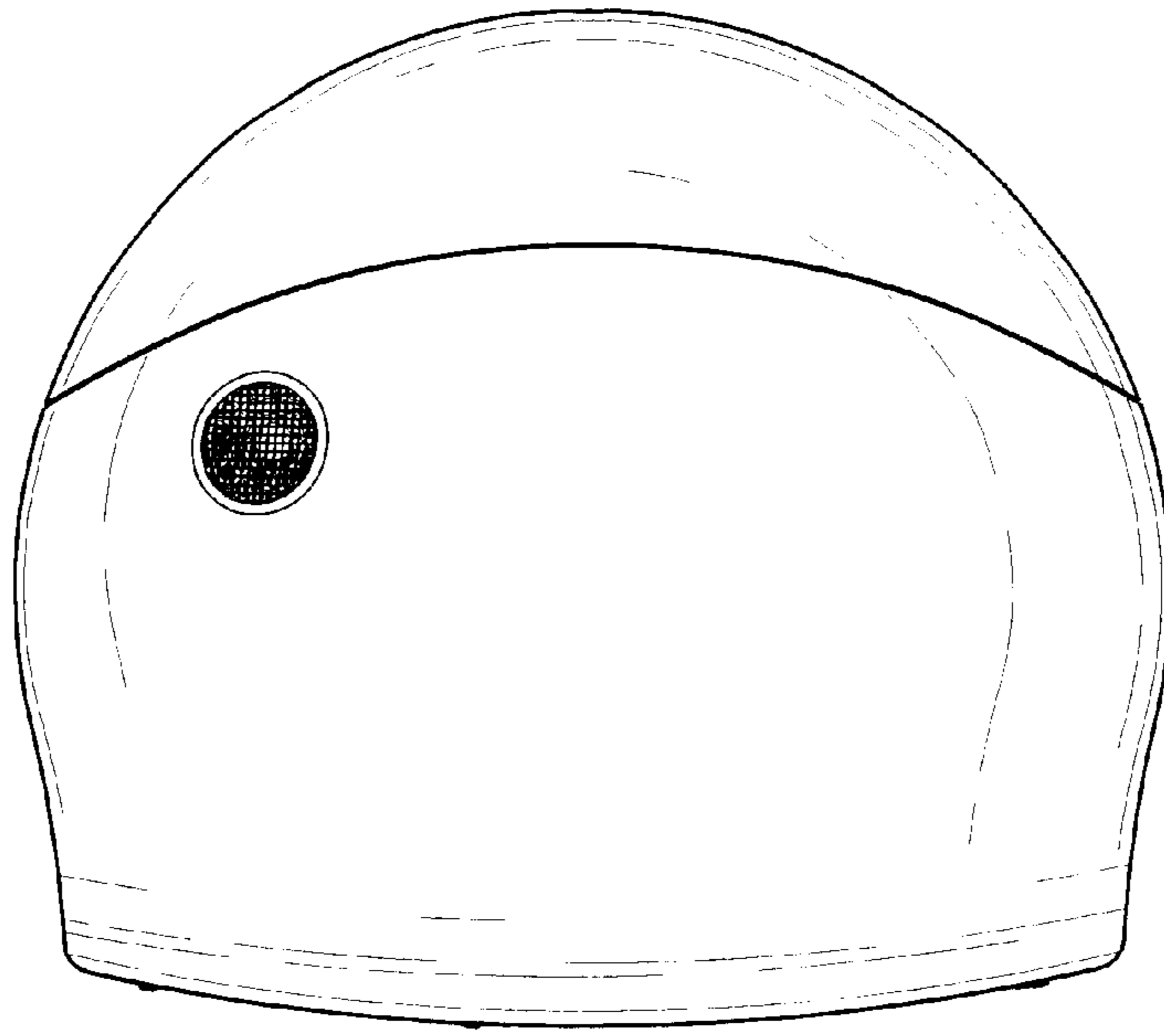


Fig. 5

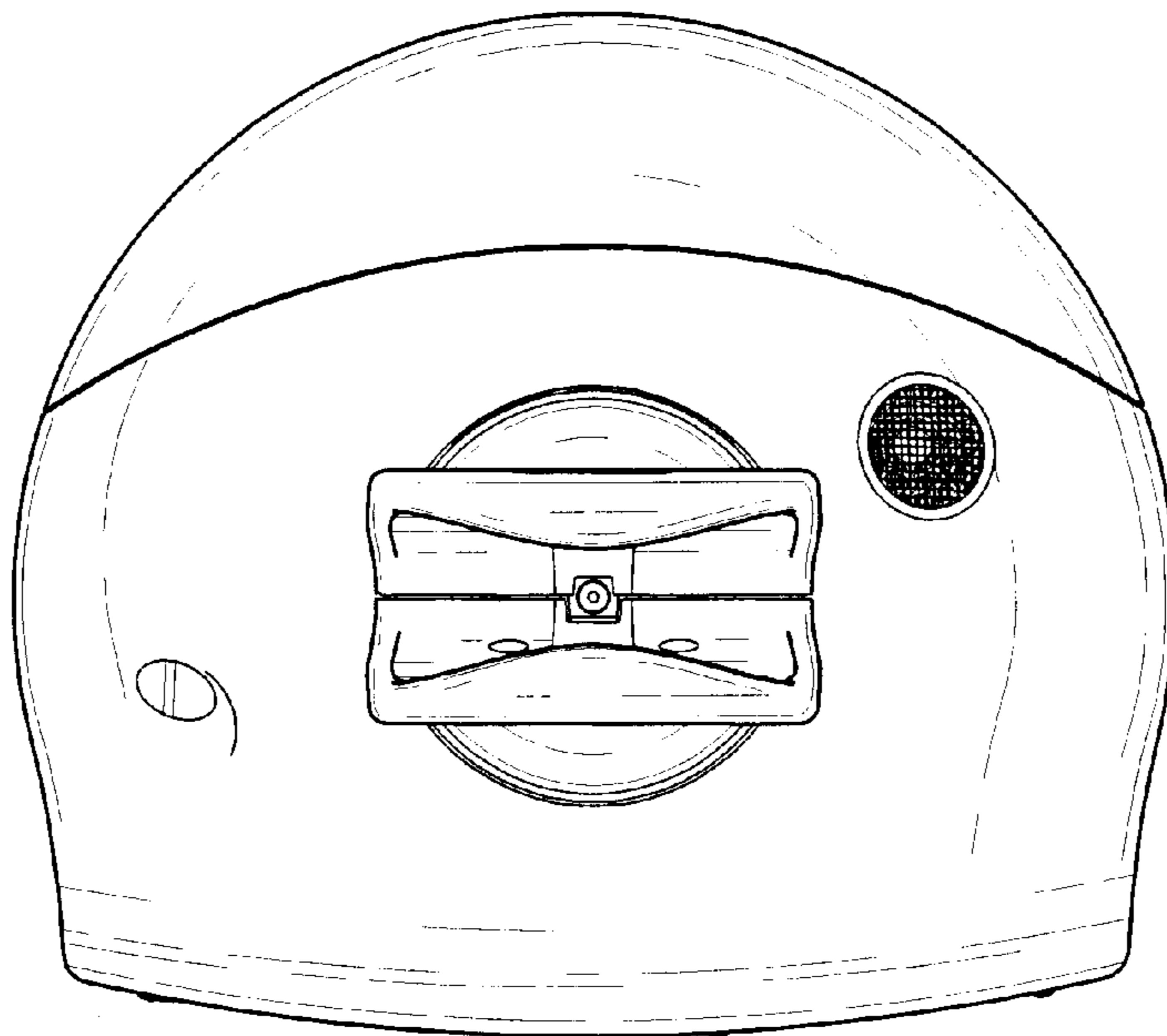


Fig. 6

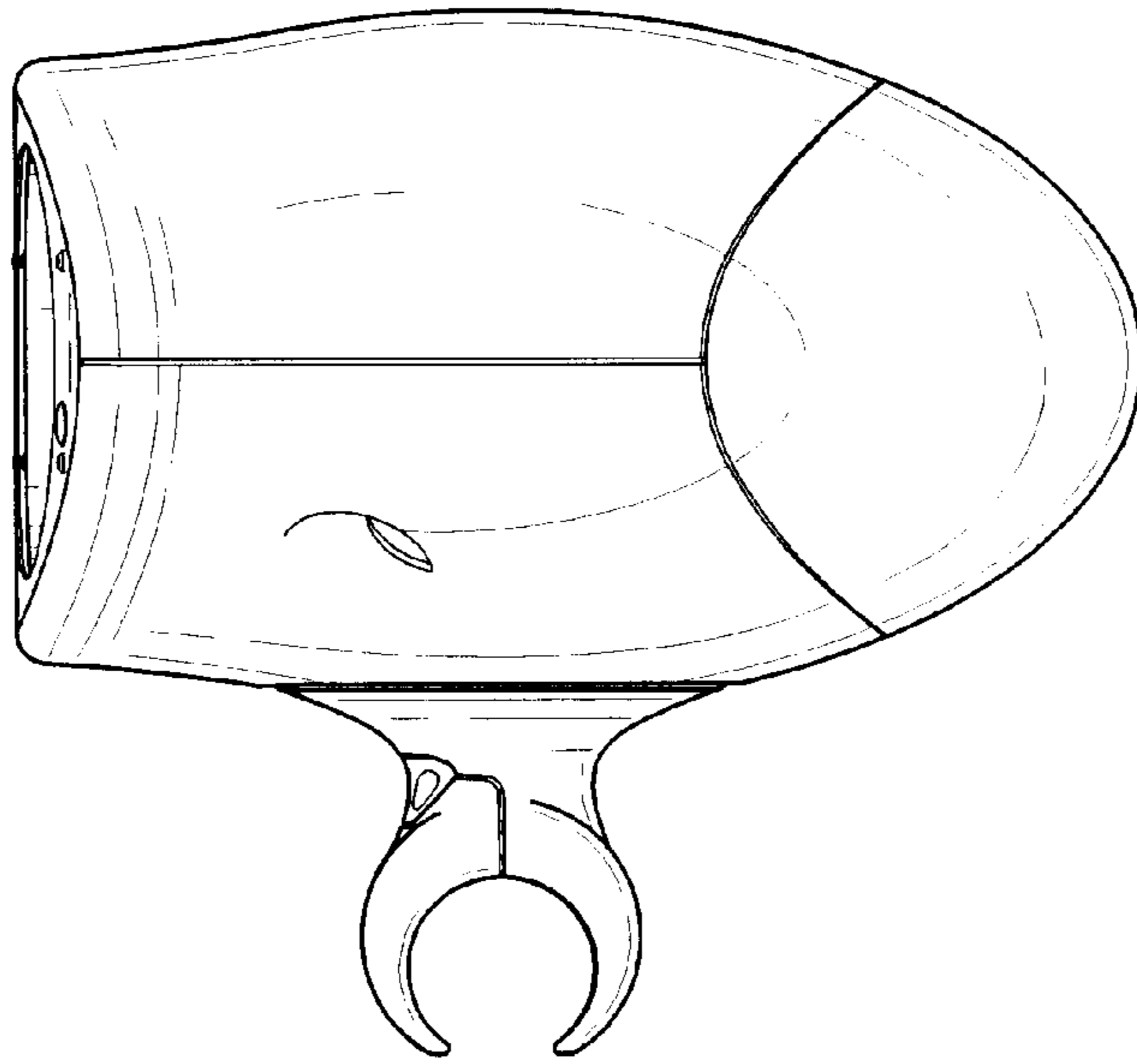


Fig. 7

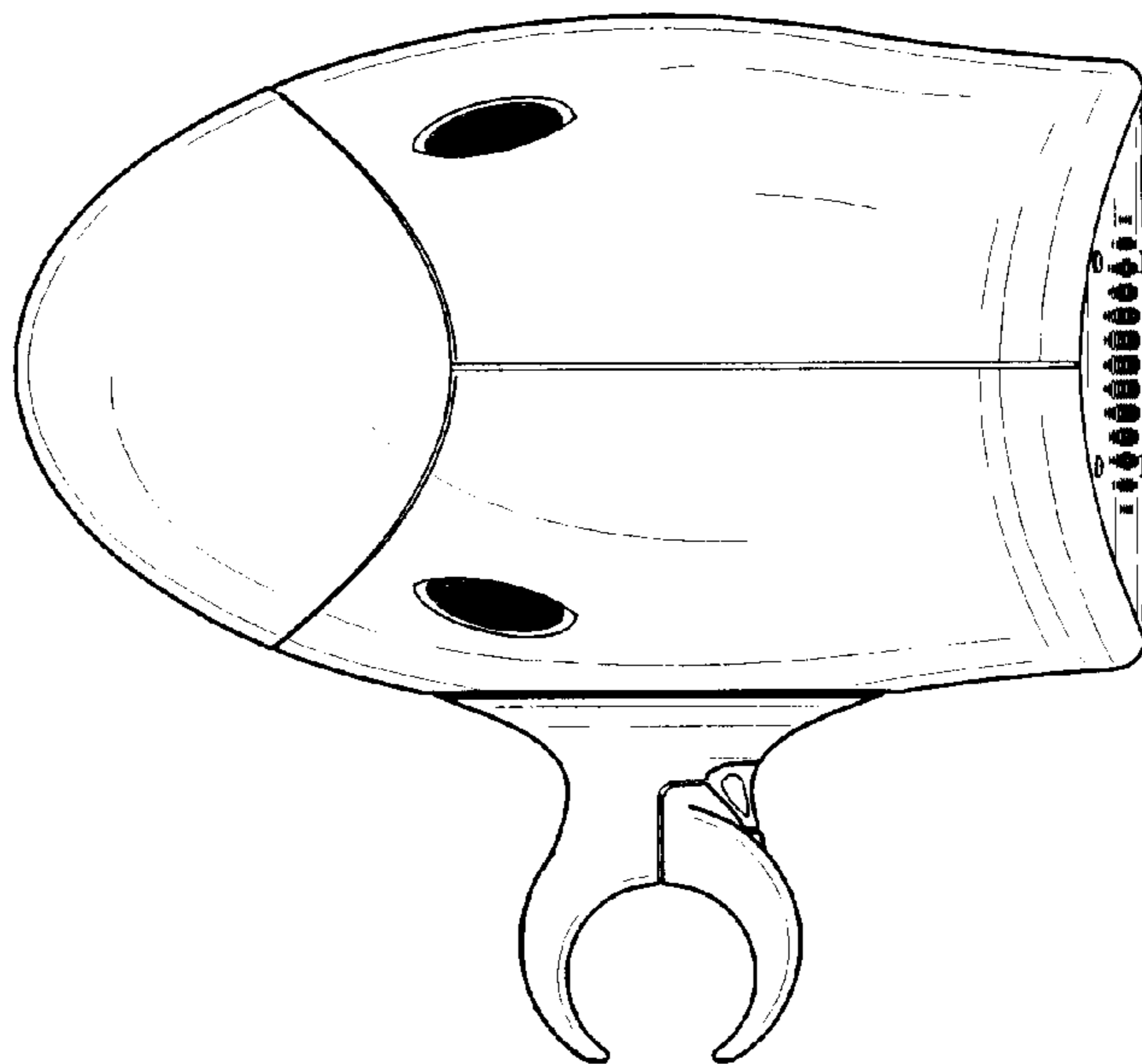


Fig. 8