



US00D487254S

(12) **United States Design Patent**
Suenaga

(10) **Patent No.:** **US D487,254 S**
(45) **Date of Patent:** **** Mar. 2, 2004**

(54) **LIGHT EMITTING DIODE**

(75) Inventor: **Ryoma Suenaga**, Komatsushima (JP)

(73) Assignee: **Nichia Corporation**, Anan (JP)

(**) Term: **14 Years**

(21) Appl. No.: **29/171,545**

(22) Filed: **Nov. 25, 2002**

(30) **Foreign Application Priority Data**

May 24, 2002	(JP)	2002-013922
May 24, 2002	(JP)	2002-013923
May 24, 2002	(JP)	2002-013924
May 24, 2002	(JP)	2002-013925
May 24, 2002	(JP)	2002-013926

(51) **LOC (7) Cl.** **13-03**

(52) **U.S. Cl.** **D13/182**

(58) **Field of Search** D13/182; D10/104,
D10/114; D26/2, 37; 257/88, 89, 93-96,
98, 99; 313/161, 499, 500; 345/39, 46,
82, 84; 362/183, 226, 241, 249, 250, 252,
287, 327, 555, 800; 372/43, 49; 438/111

(56) **References Cited**

U.S. PATENT DOCUMENTS

D356,778 S * 3/1995 Takeda et al. D13/182

(List continued on next page.)

FOREIGN PATENT DOCUMENTS

JP D1046565-2 S 8/1999
JP D1146343 S 7/2002

Primary Examiner—Philip S. Hyder

Assistant Examiner—Selina Sikder

(74) *Attorney, Agent, or Firm*—Smith Patent Office

(57) **CLAIM**

I claim the ornamental design for the light emitting diode, as shown and described.

DESCRIPTION

FIG. 1 is a top view of a light emitting diode showing my new design;

FIG. 2 is a left view of the light emitting diode according to the embodiment of FIG. 1;

FIG. 3 is a front elevational view of the light emitting diode according to the embodiment of FIG. 1;

FIG. 4 is a right view of the light emitting diode according to the embodiment of FIG. 1;

FIG. 5 is a bottom view of the light emitting diode according to the embodiment of FIG. 1;

FIG. 6 is a rear view of the light emitting diode being rotated 180° from a standard orthogonal projection according to the embodiment of FIG. 1;

FIG. 7 is a top view of a light emitting diode according to another embodiment of my new design;

FIG. 8 is a left view of the light emitting diode according to the embodiment of FIG. 7;

FIG. 9 is a front elevational view of the light emitting diode according to the embodiment of FIG. 7;

FIG. 10 is a right view of the light emitting diode according to the embodiment of FIG. 7;

FIG. 11 is a bottom view of the light emitting diode according to the embodiment of FIG. 7;

FIG. 12 is a rear view of the light emitting diode being rotated 180° from a standard orthogonal projection according to the embodiment of FIG. 7;

FIG. 13 is a top view of a light emitting diode according to still another embodiment of my new design; the broken line showing of the environment is for illustrative purpose only and forms no part of the claimed design.

FIG. 14 is a left view of the light emitting diode according to the embodiment of FIG. 13;

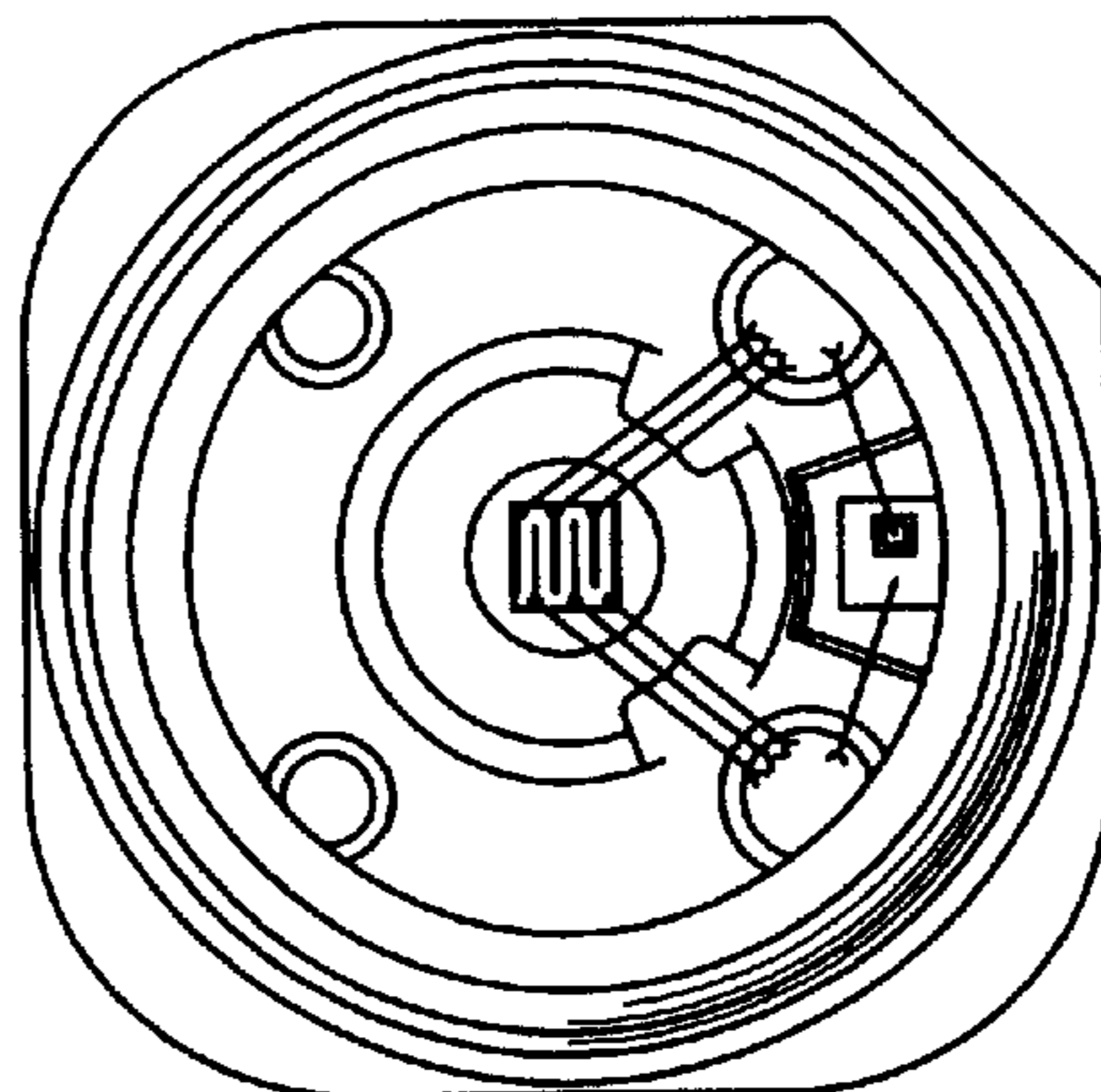
FIG. 15 is a front elevational view of the light emitting diode according to the embodiment of FIG. 13;

FIG. 16 is a right view of the light emitting diode according to the embodiment of FIG. 13;

FIG. 17 is a bottom view of the light emitting diode according to the embodiment of FIG. 13; and,

FIG. 18 is a rear view of the light emitting diode being rotated 180° from a standard orthogonal projection according to the embodiment of FIG. 13.

1 Claim, 3 Drawing Sheets



US D487,254 S

Page 2

U.S. PATENT DOCUMENTS			
D359,476 S	* 6/1995	Sakashita et al.	D13/182
5,746,500 A	* 5/1998	Chien	362/103
RE36,614 E	* 3/2000	Lumbard et al.	313/500
			* cited by examiner
		6,061,160 A	* 5/2000 Maruyama 359/152
		D432,095 S	* 10/2000 Seeger et al. D13/182

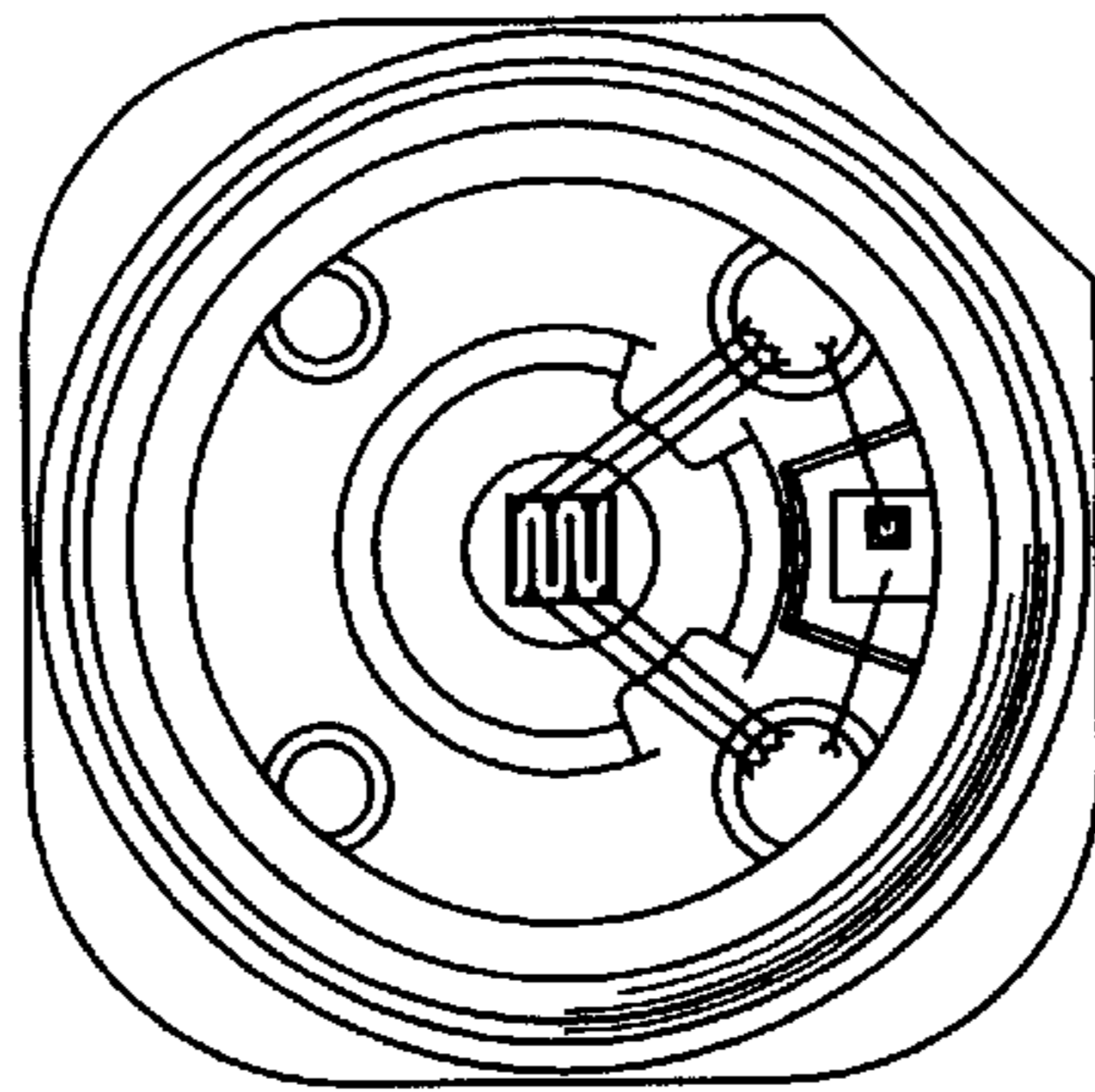


FIG. 1



FIG. 2

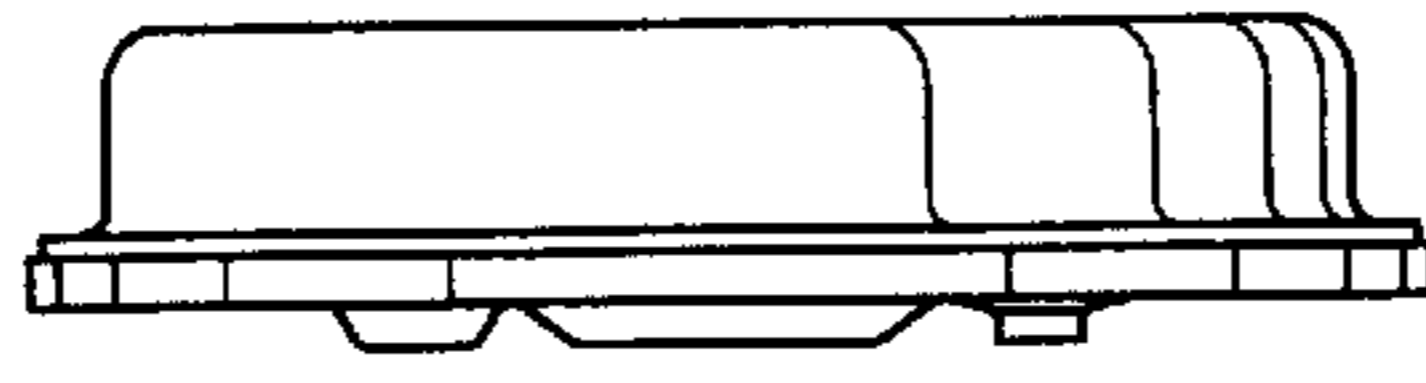


FIG. 3

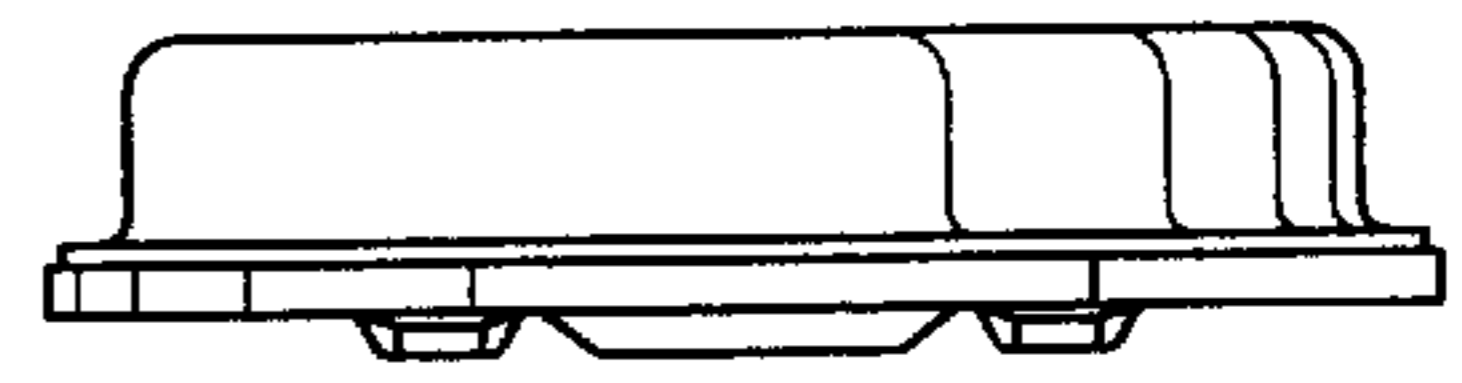


FIG. 4

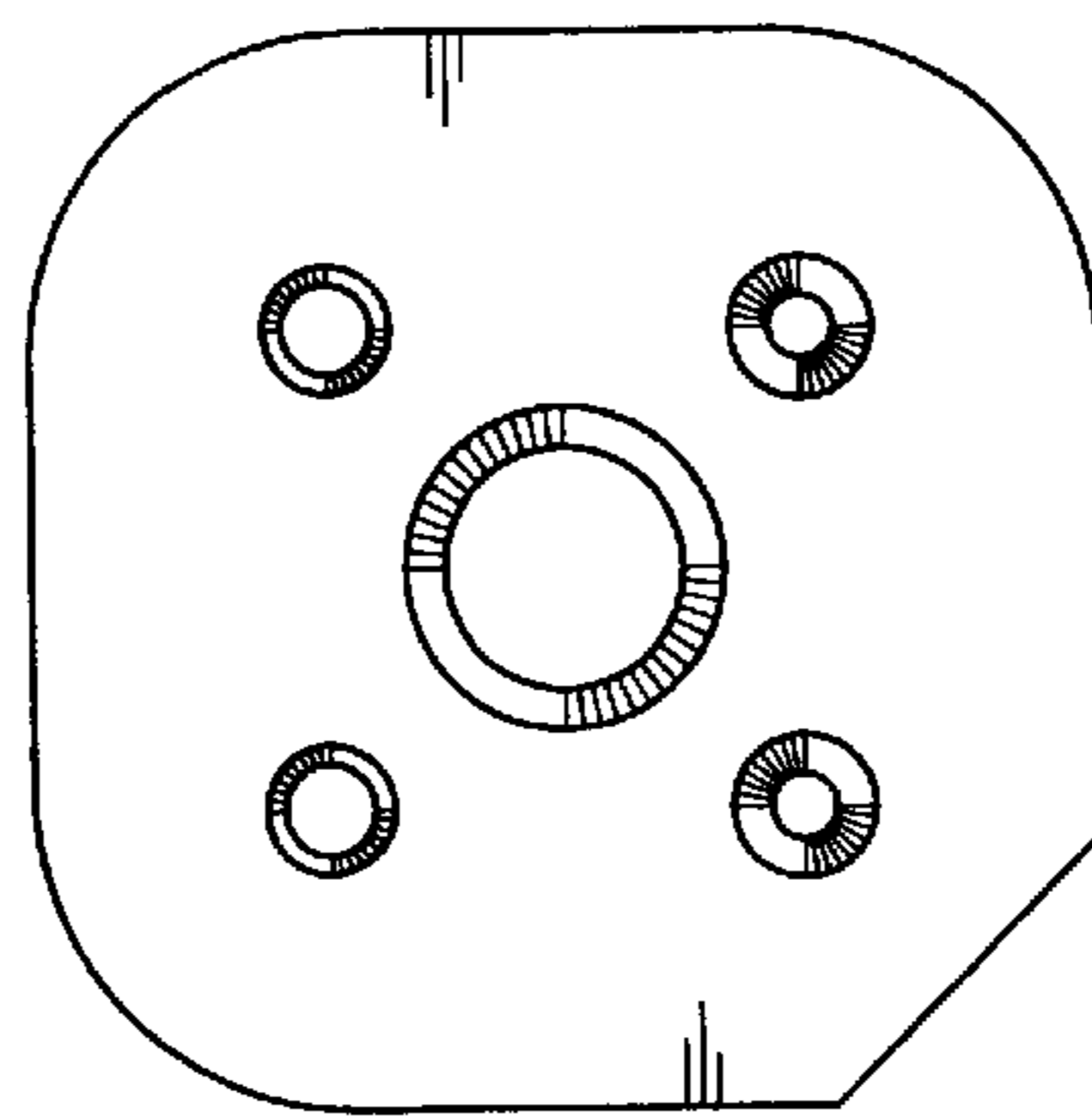


FIG. 5

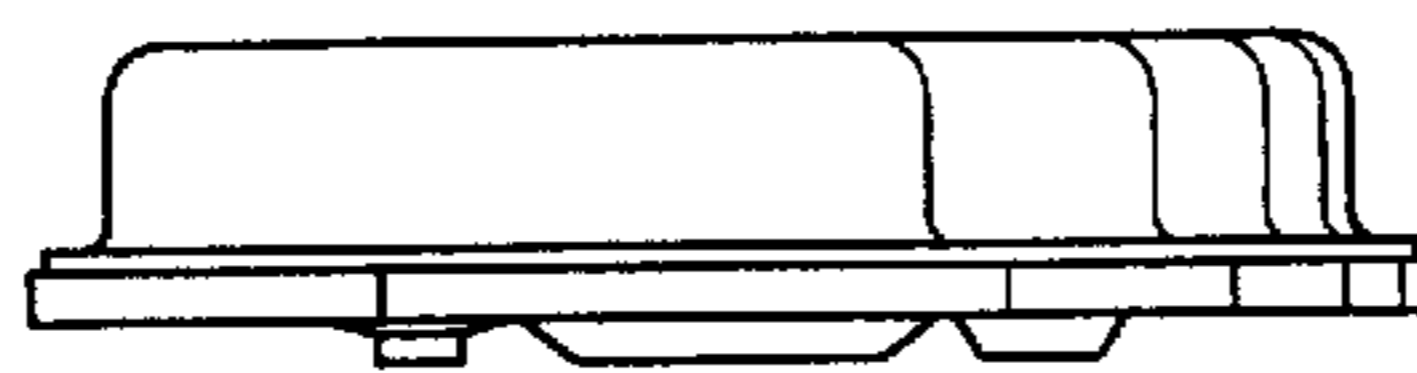


FIG. 6

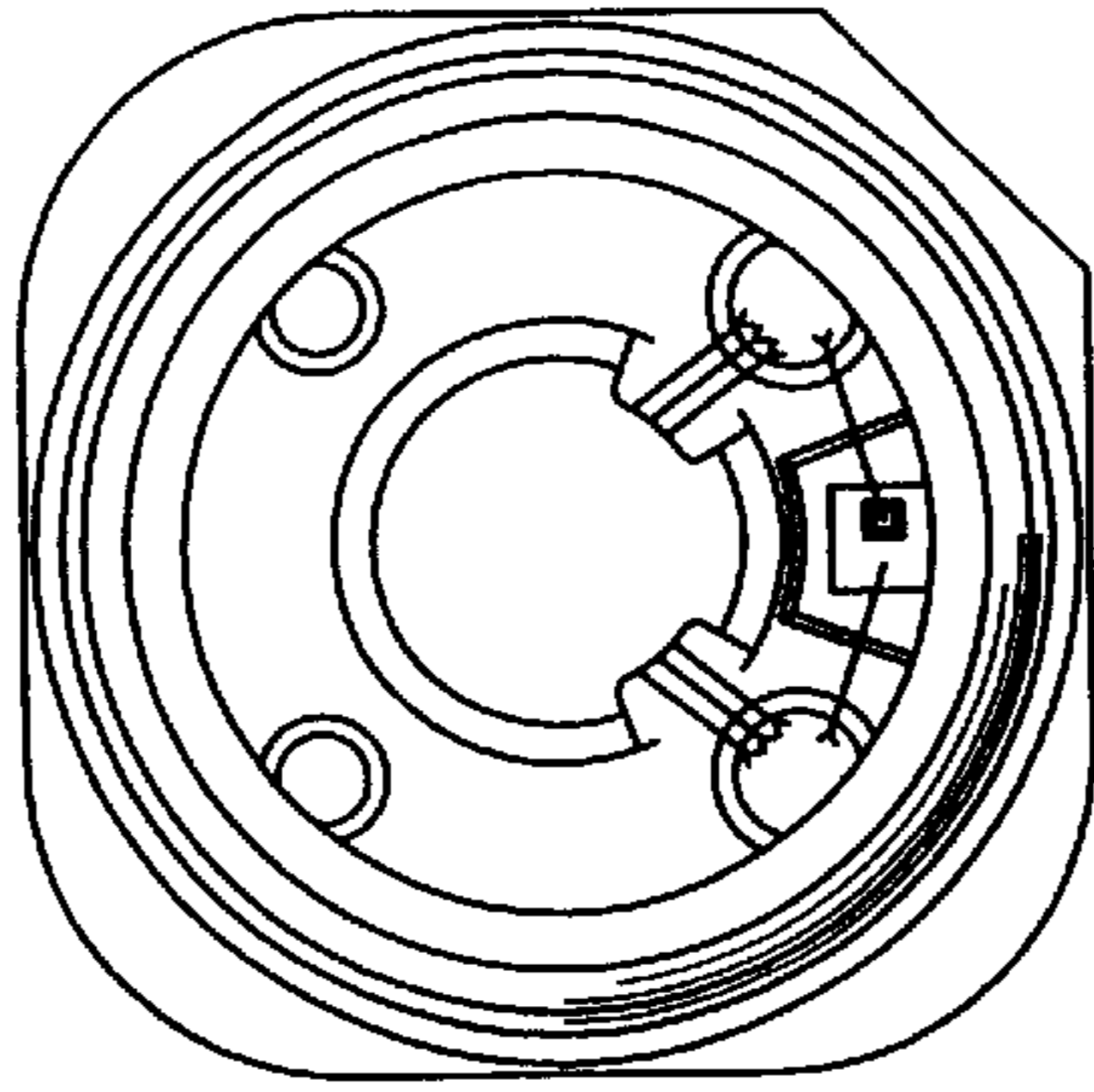


FIG. 7

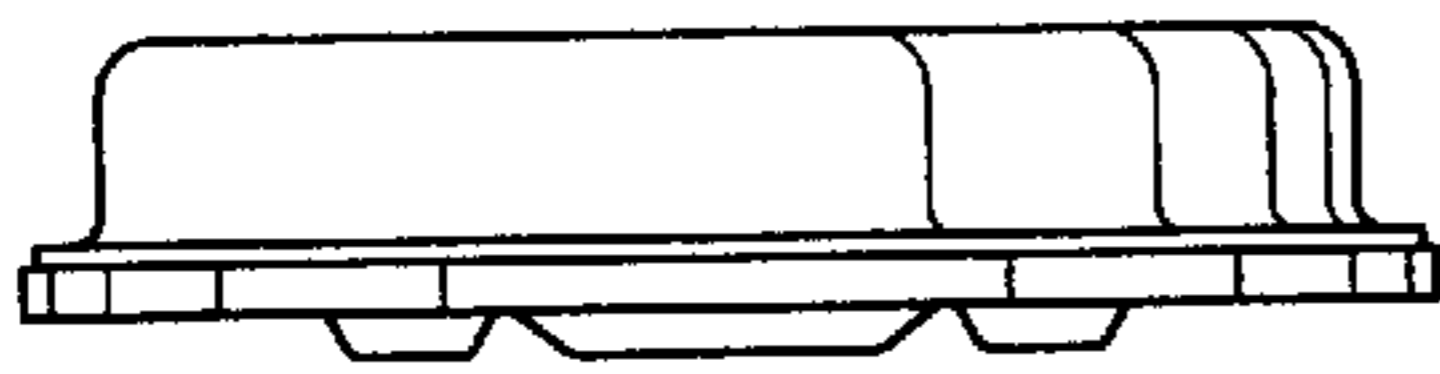


FIG. 8

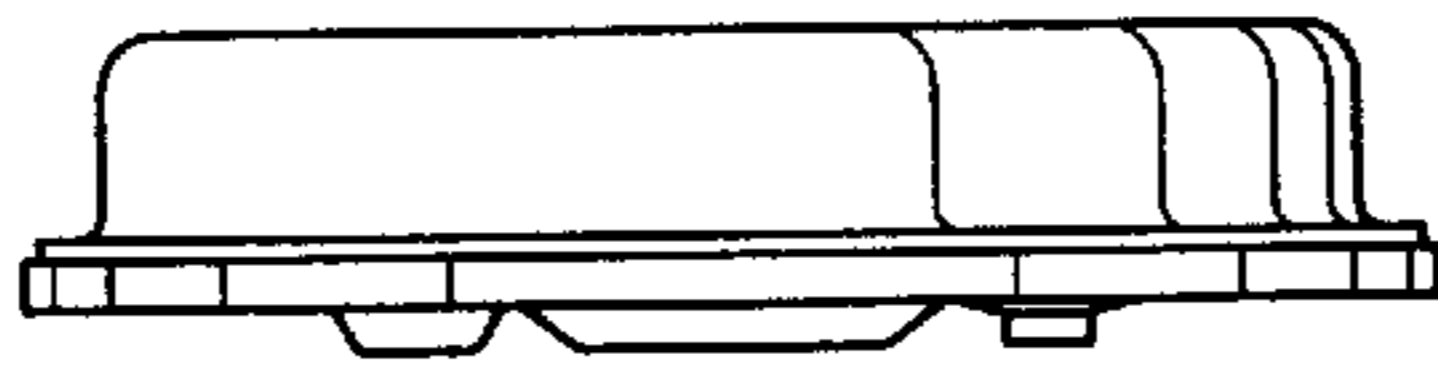


FIG. 9

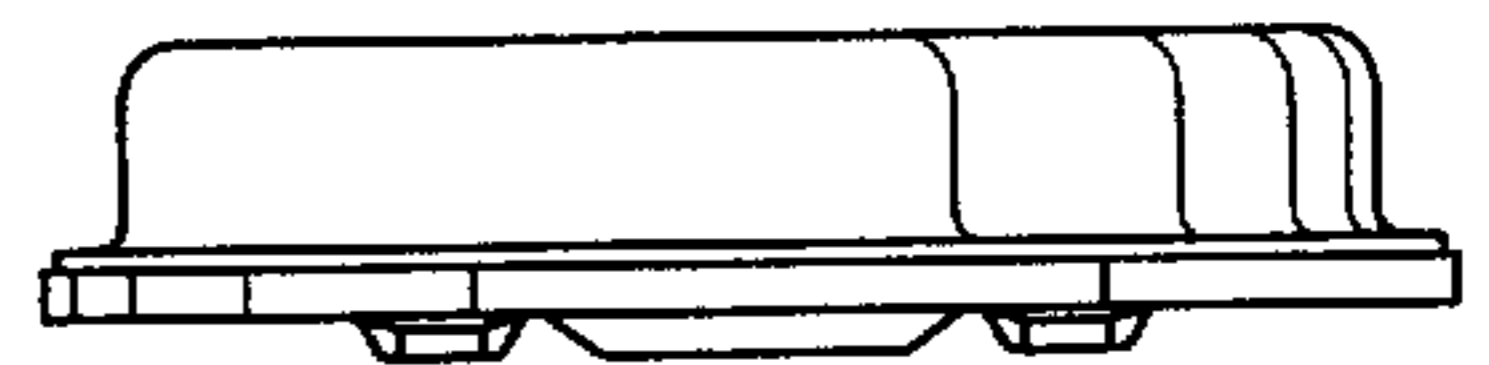


FIG. 10

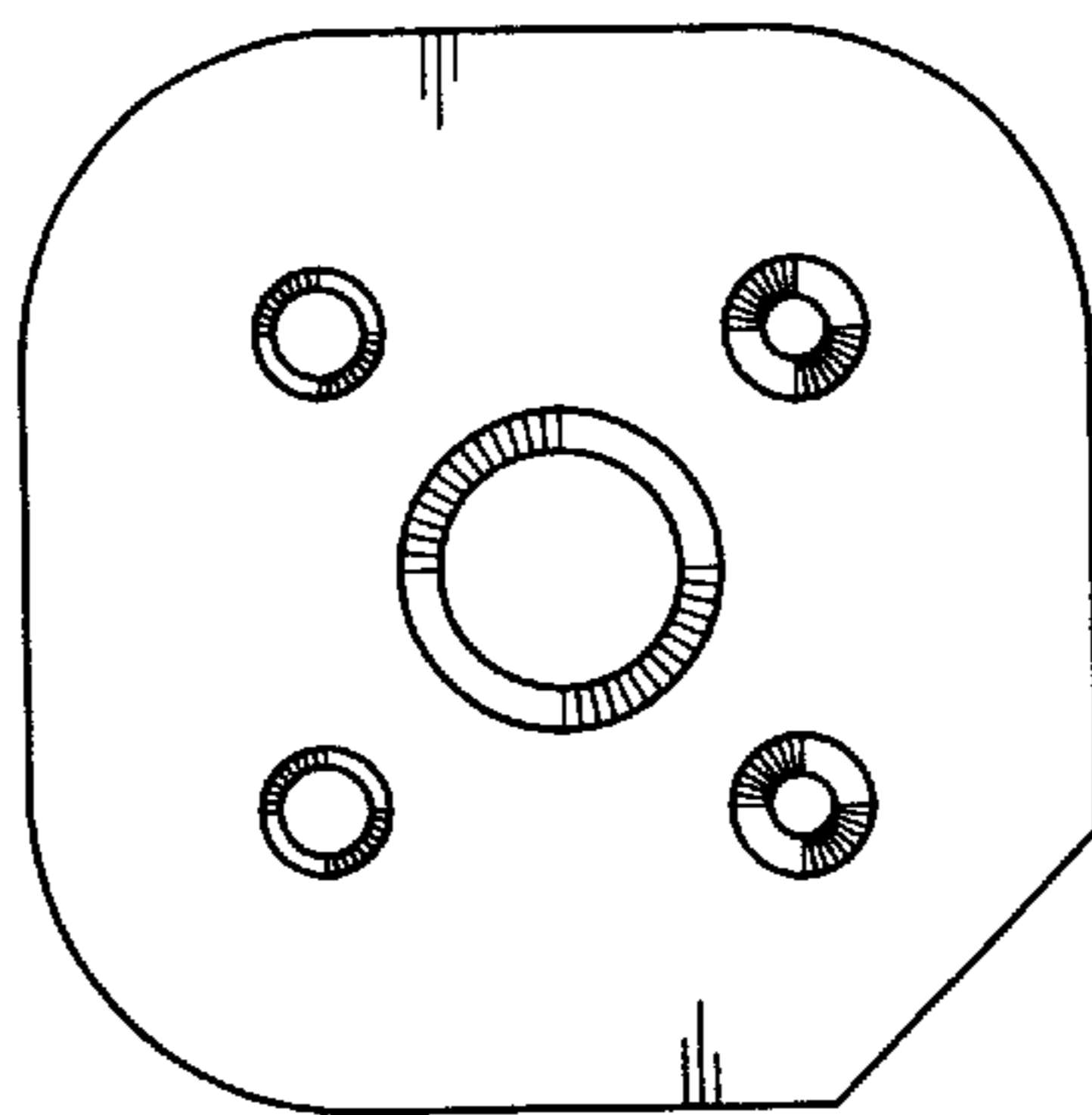


FIG. 11

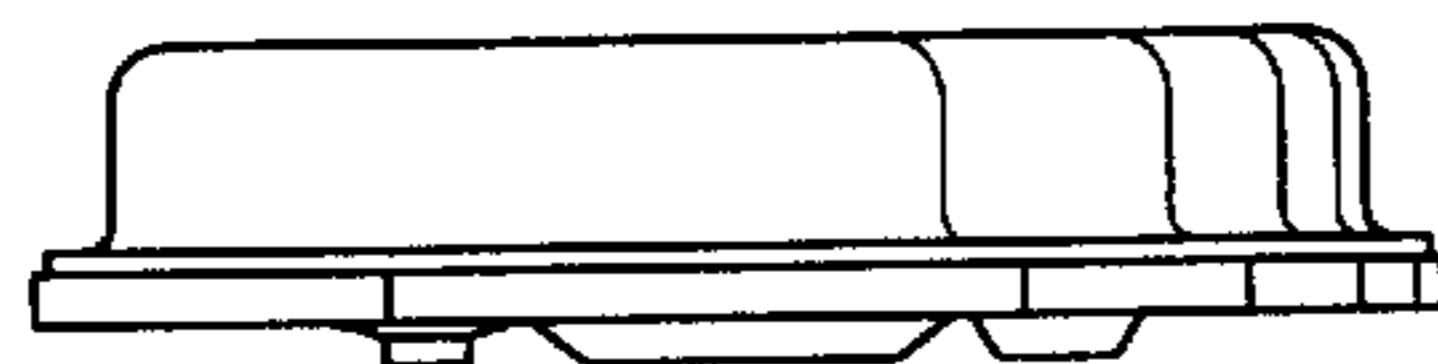


FIG. 12

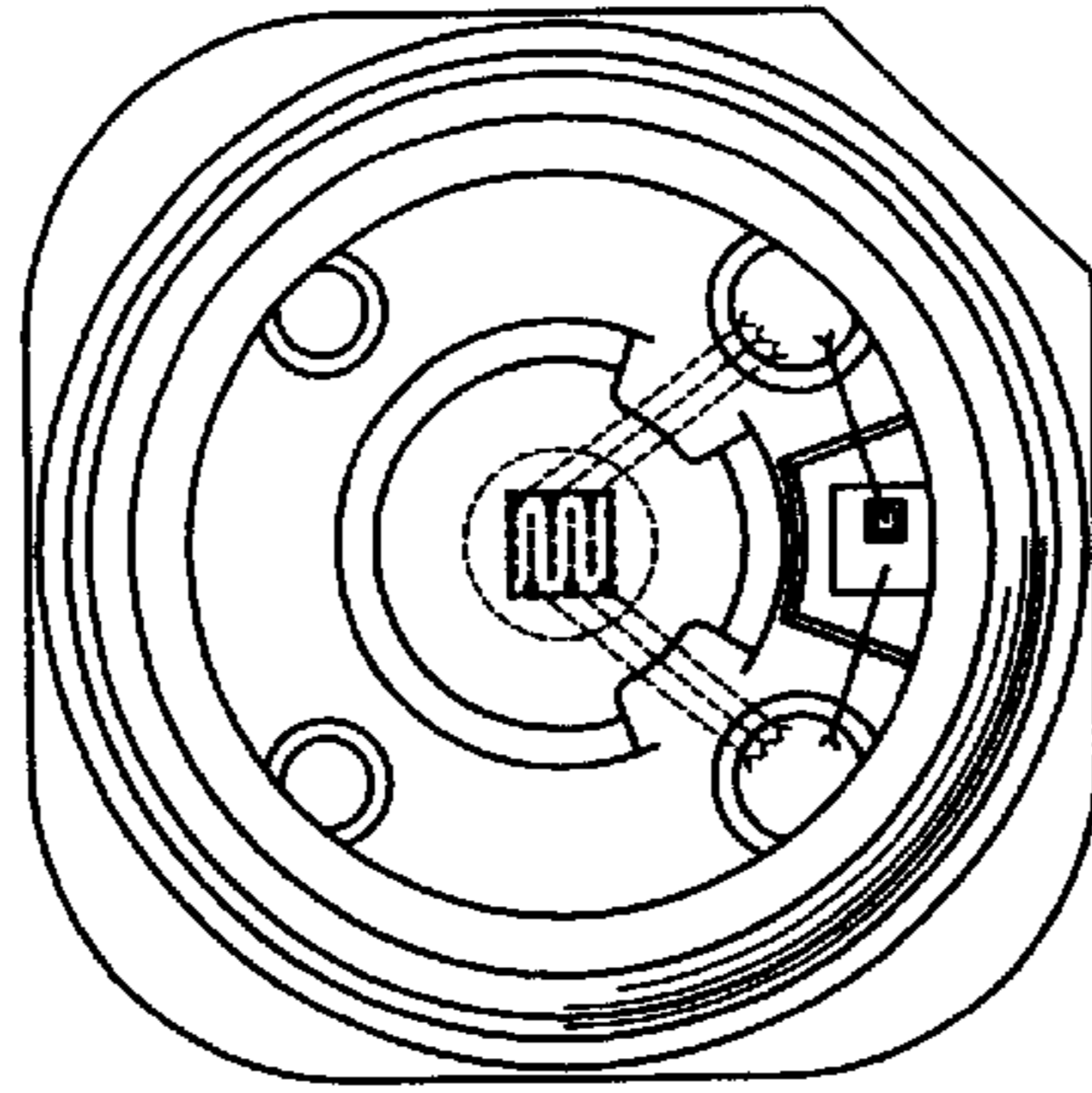


FIG. 13



FIG. 14



FIG. 15



FIG. 16

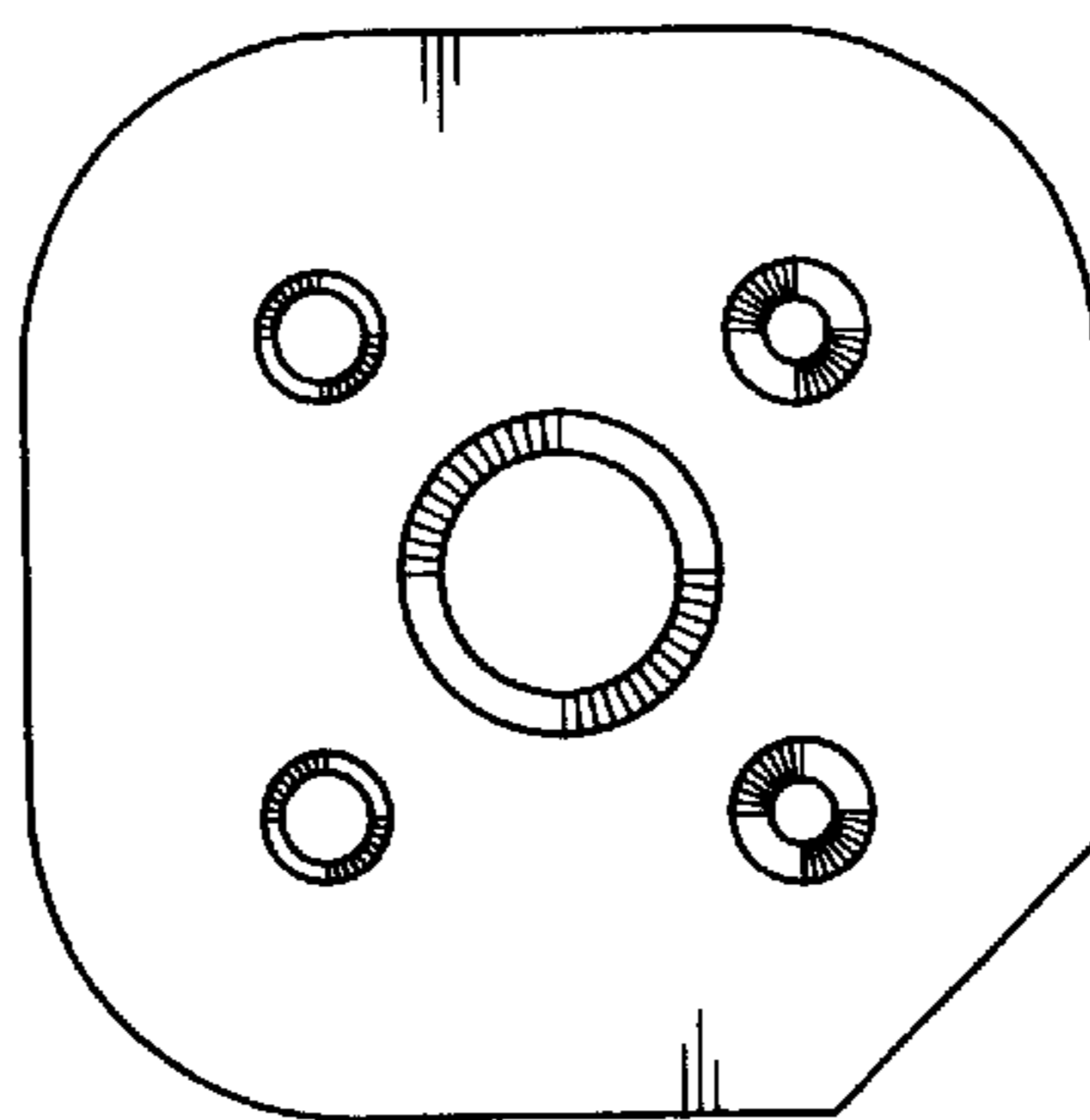


FIG. 17

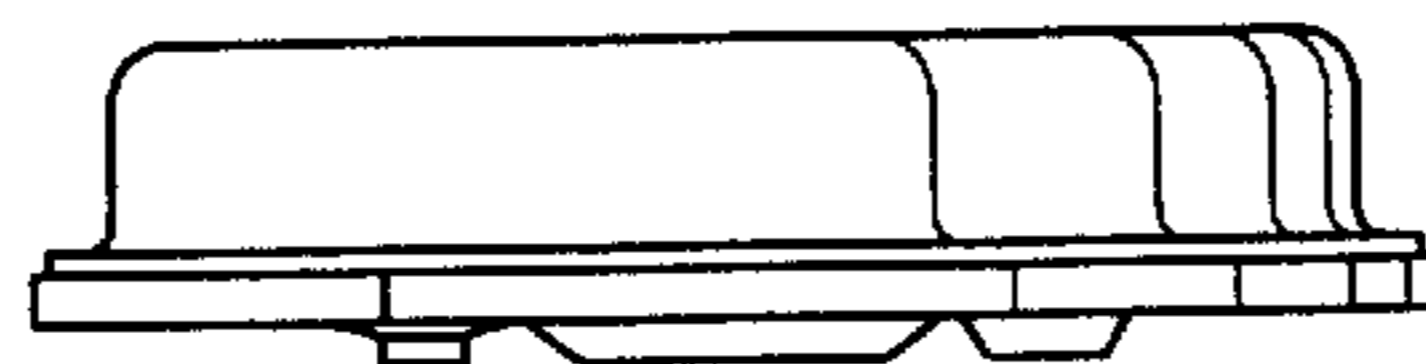


FIG. 18