



US00D487253S

(12) **United States Design Patent**  
**Nurdogan**

(10) **Patent No.:** **US D487,253 S**

(45) **Date of Patent:** **\*\* Mar. 2, 2004**

(54) **ELECTRICAL CONTACTOR**

(75) Inventor: **Mustafa Nurdogan**, Adapazari (TR)

(73) Assignee: **Federal Elektrik Yatirim Ve Ticaret A.S.**, Adapazari (TR)

(\*\*) Term: **14 Years**

(21) Appl. No.: **29/171,824**

(22) Filed: **Dec. 2, 2002**

(51) **LOC (7) Cl.** ..... **13-03**

(52) **U.S. Cl.** ..... **D13/159**

(58) **Field of Search** ..... D13/159; 200/280,  
200/293, 294, 297, 303; 335/131, 132,  
133, 202, 196, 262, 251

(56) **References Cited**

**U.S. PATENT DOCUMENTS**

4,899,120 A *	2/1990	Ohtake et al.	335/132
D325,566 S *	4/1992	Bouteiller	D13/159
D326,844 S *	6/1992	Bouteiller	D13/159
D373,112 S *	8/1996	Kim	D13/159
6,297,717 B1 *	10/2001	Heckenkamp	335/132

\* cited by examiner

*Primary Examiner*—Philip S. Hyder

*Assistant Examiner*—Selina Sikder

(74) *Attorney, Agent, or Firm*—Arent Fox Kintner Plotkin & Kahn, PLLC

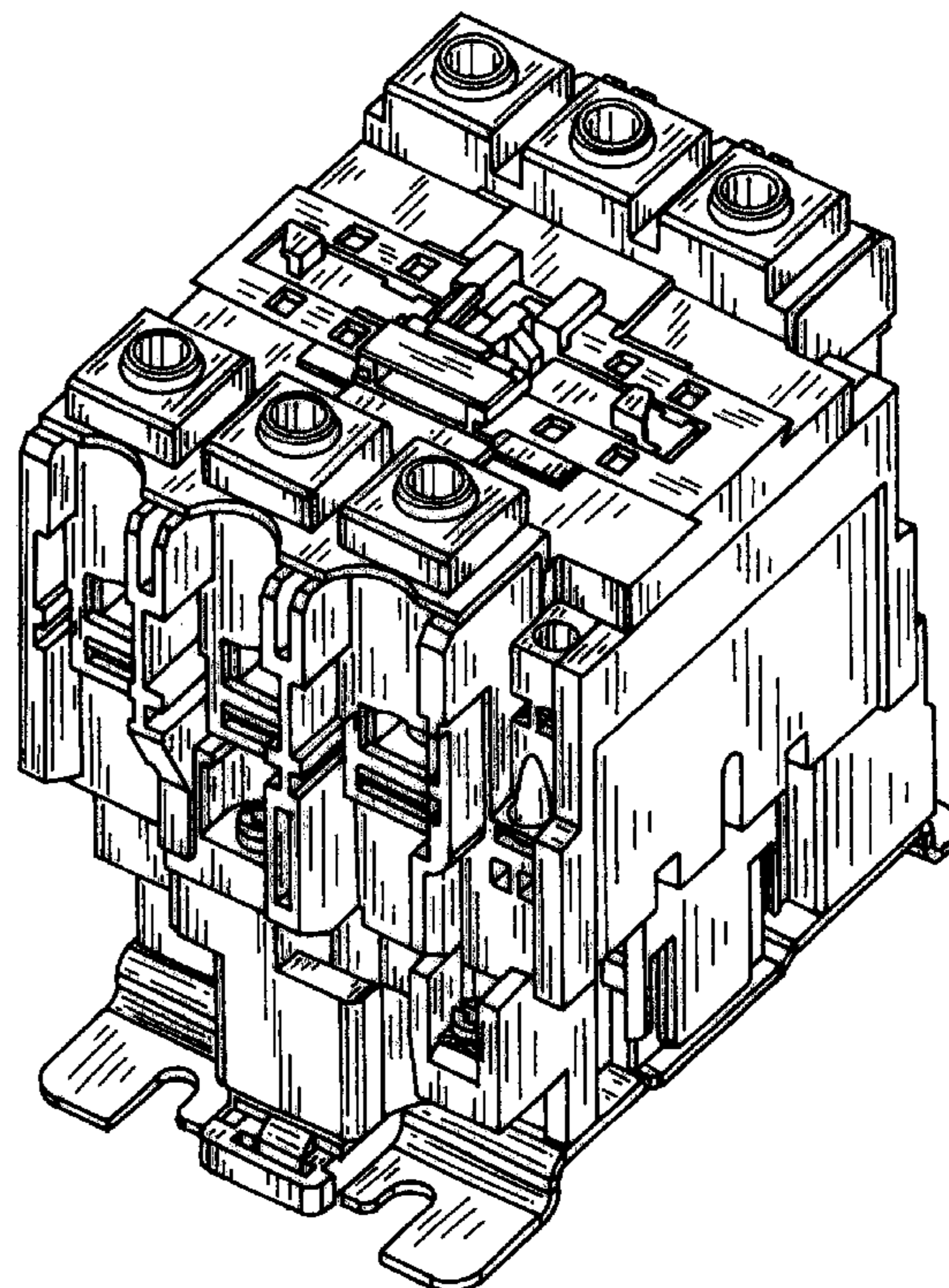
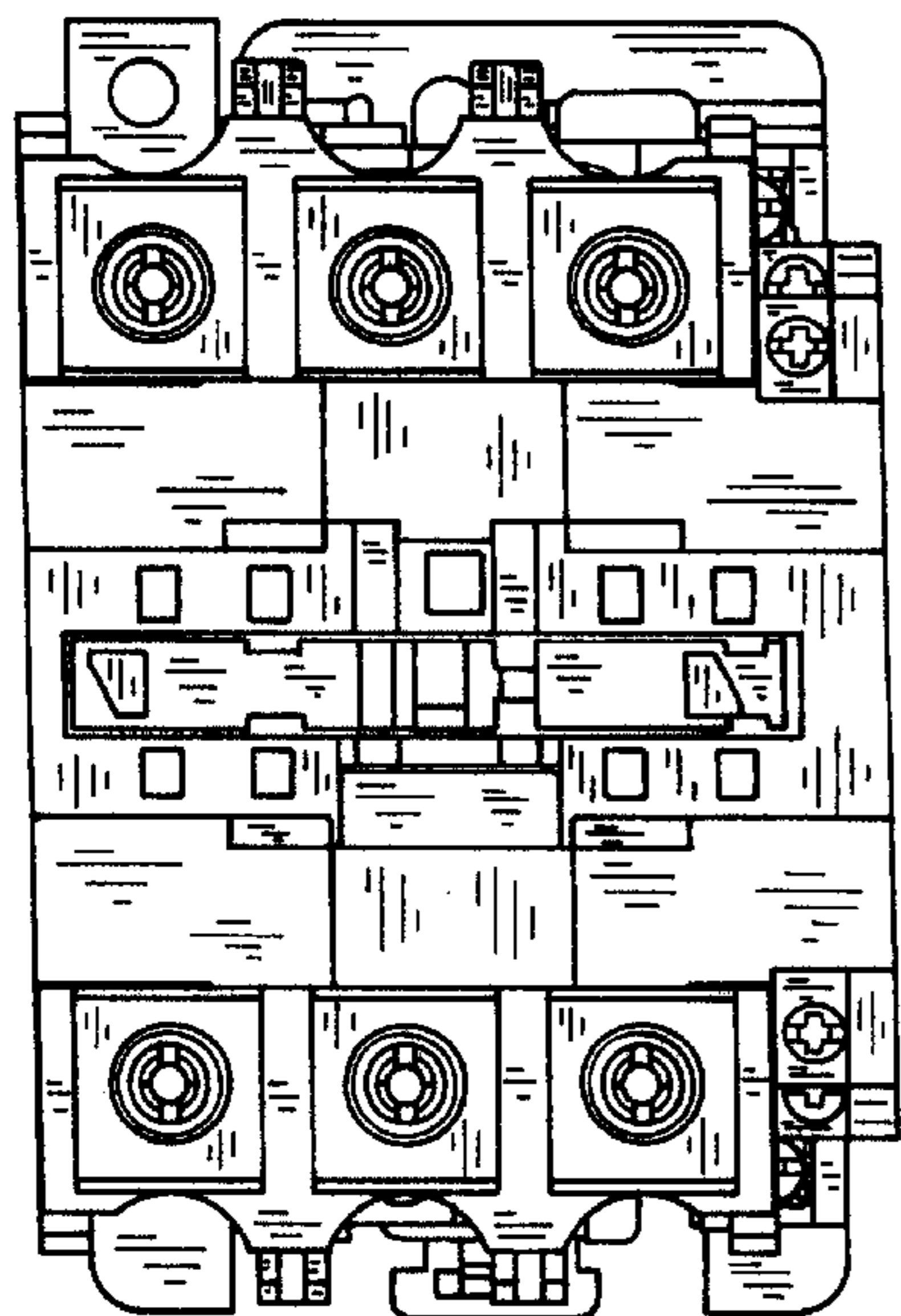
(57) **CLAIM**

The ornamental design for a electrical contactor, as shown and described in FIGS. 1–8.

**DESCRIPTION**

FIG. 1 is a plan view of the electrical contactor;  
FIG. 2 is a right side view of the electrical contactor;  
FIG. 3 is a front view of the electrical contactor;  
FIG. 4 is a left side view of the electrical contactor;  
FIG. 5 is a back view of the electrical contactor;  
FIG. 6 is a bottom view of the electrical contactor;  
FIG. 7 is a perspective right side view of the electrical contactor; and,  
FIG. 8 is a perspective left side view of the electrical contactor.

**1 Claim, 8 Drawing Sheets**



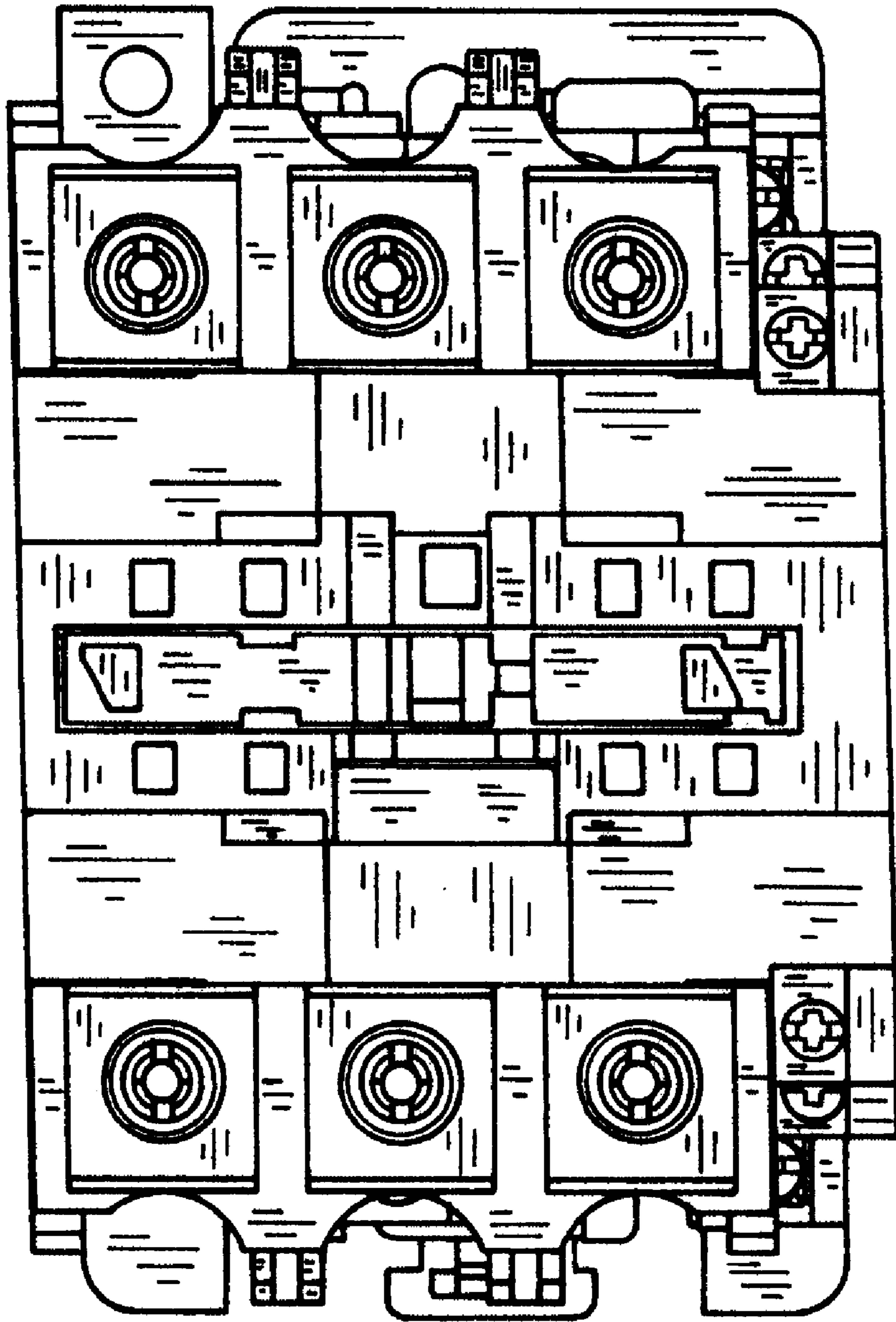


FIG. 1

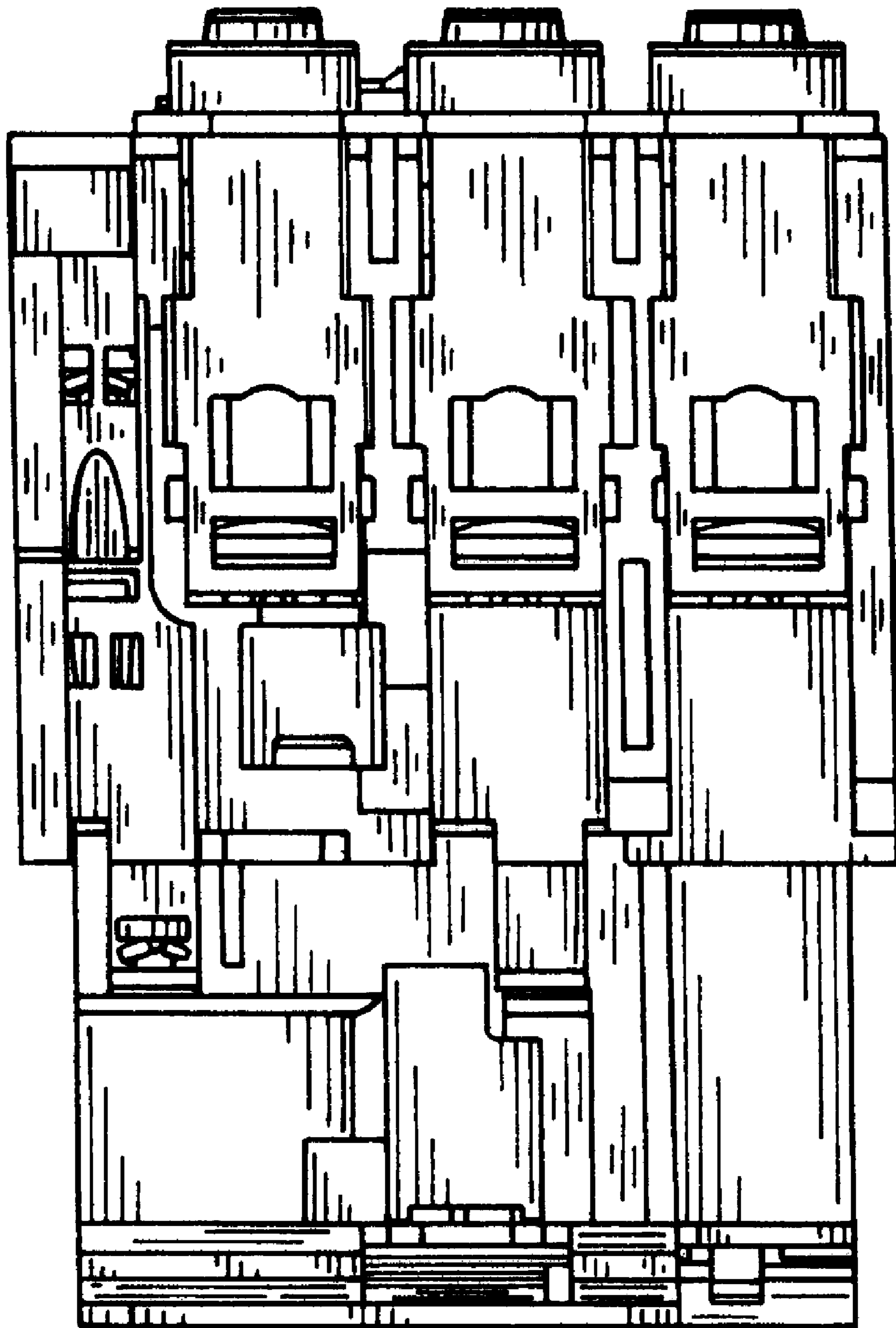


FIG.2

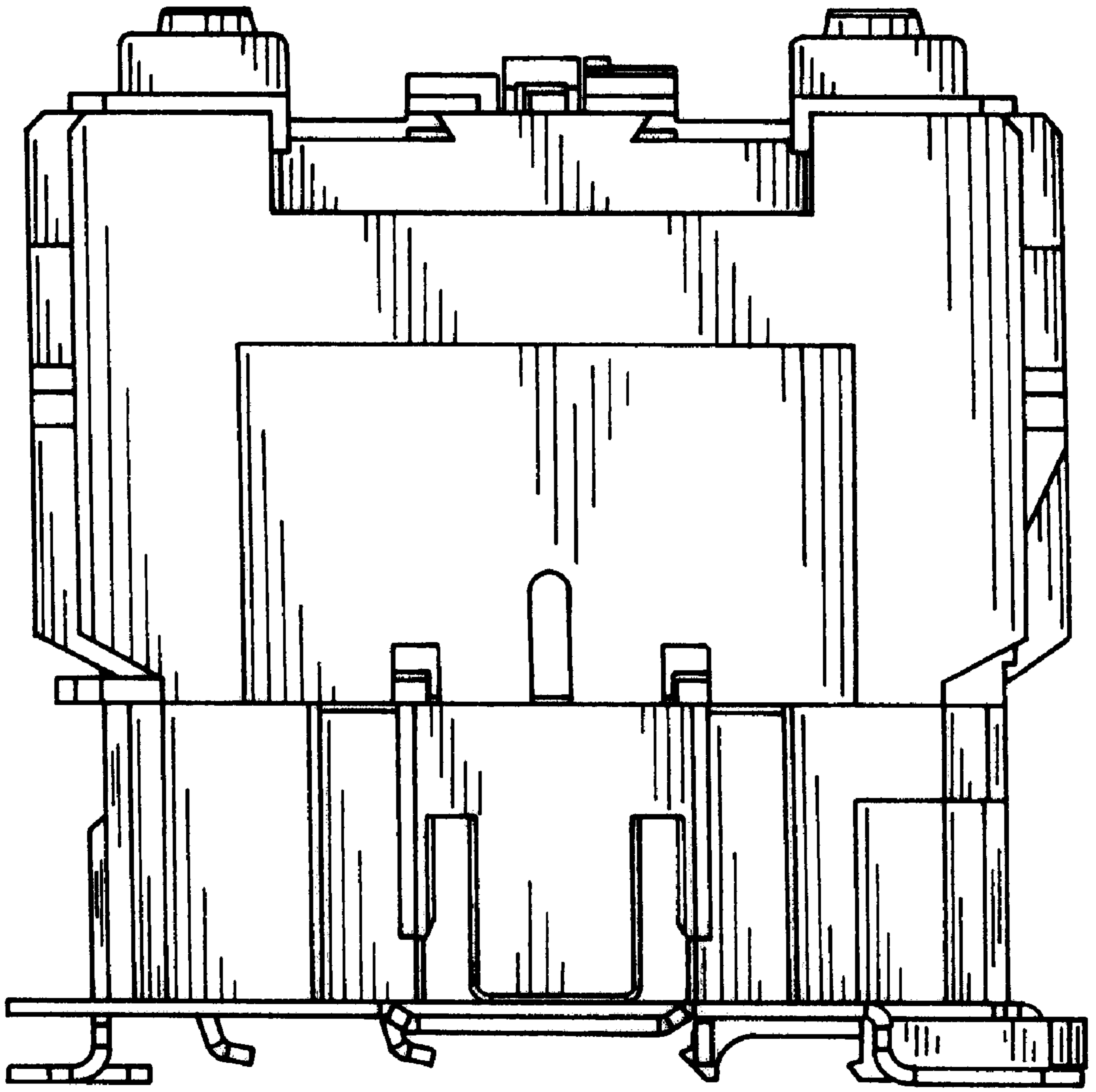


FIG. 3

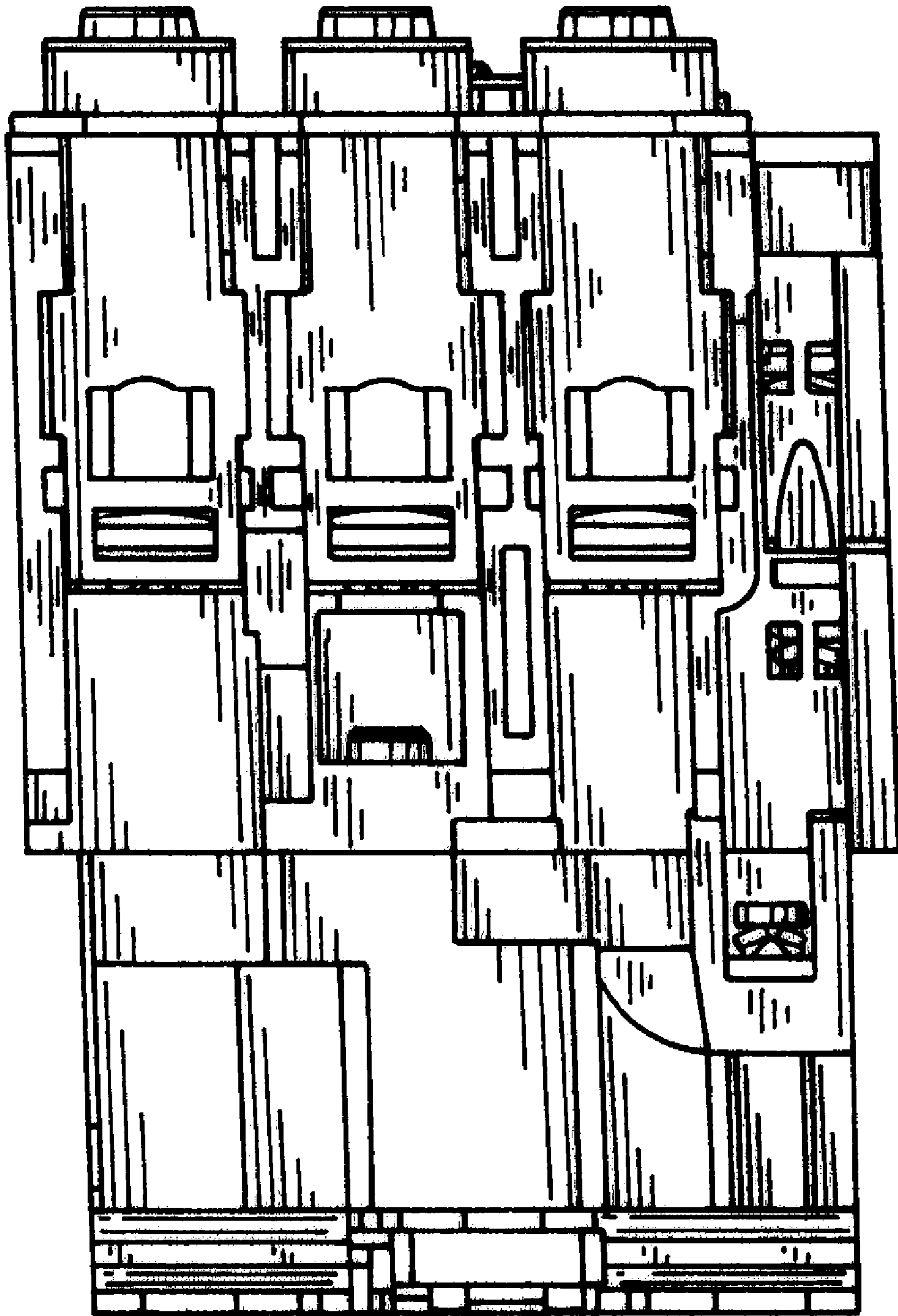


FIG. 4

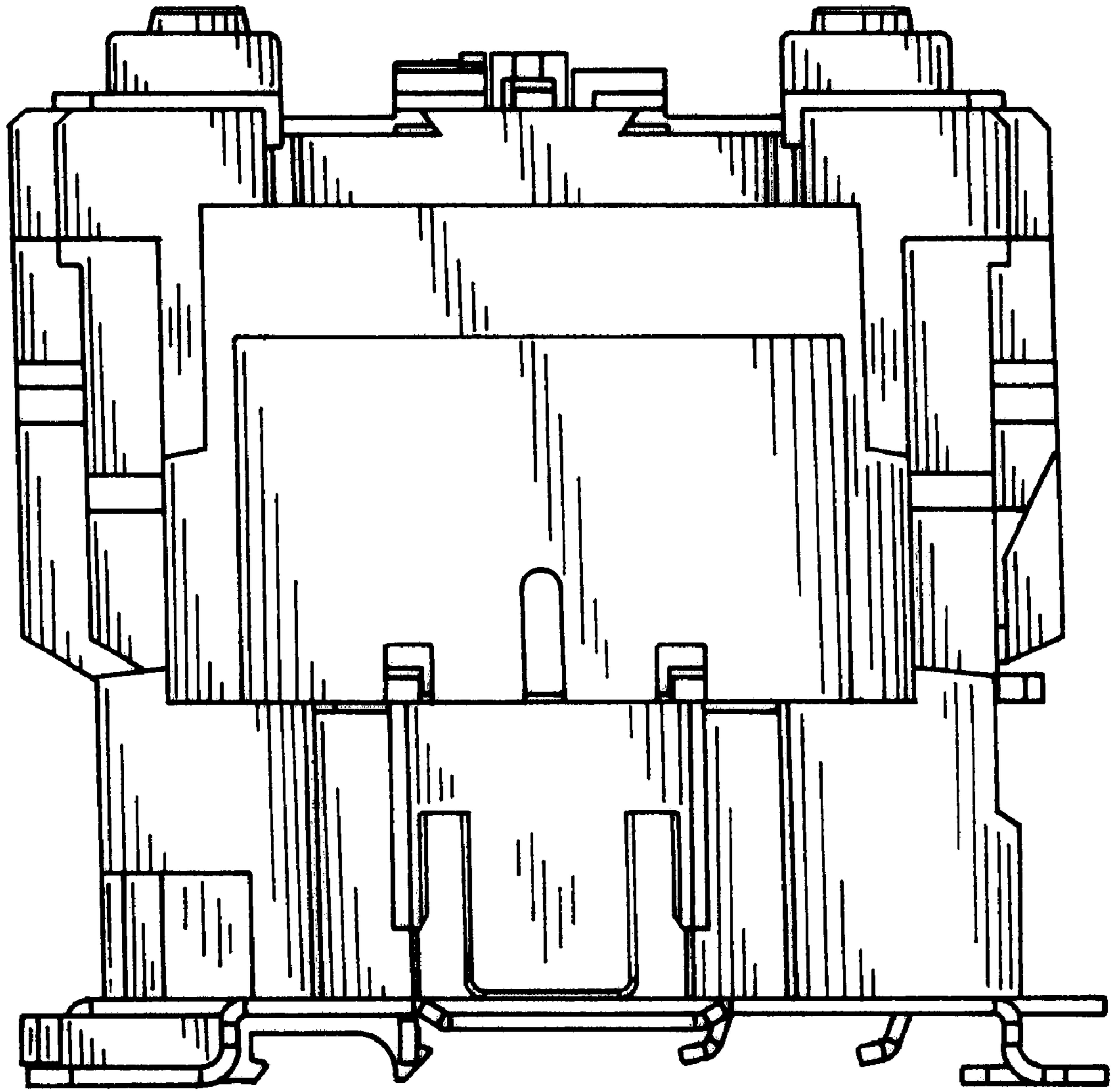


FIG. 5

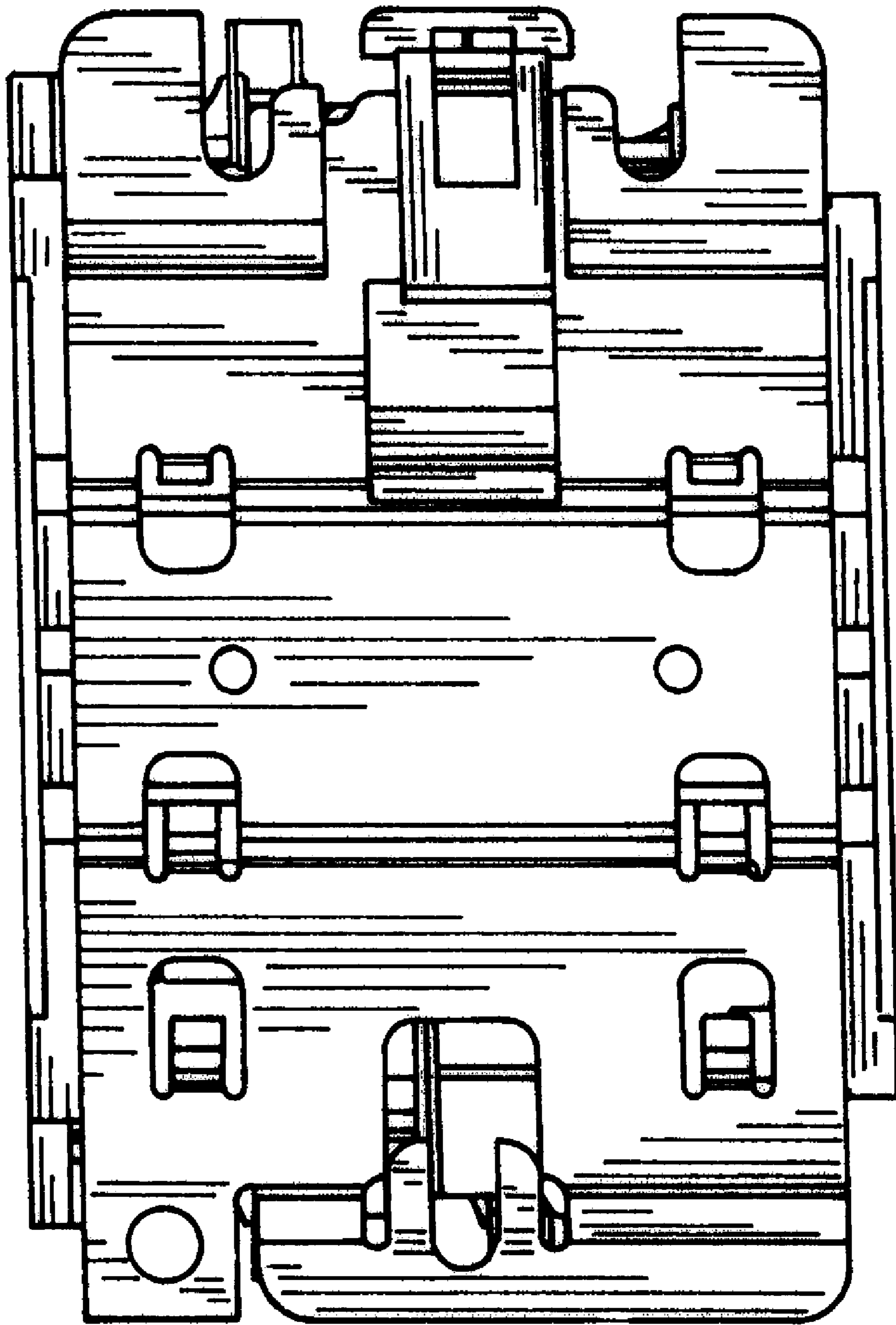


FIG. 6

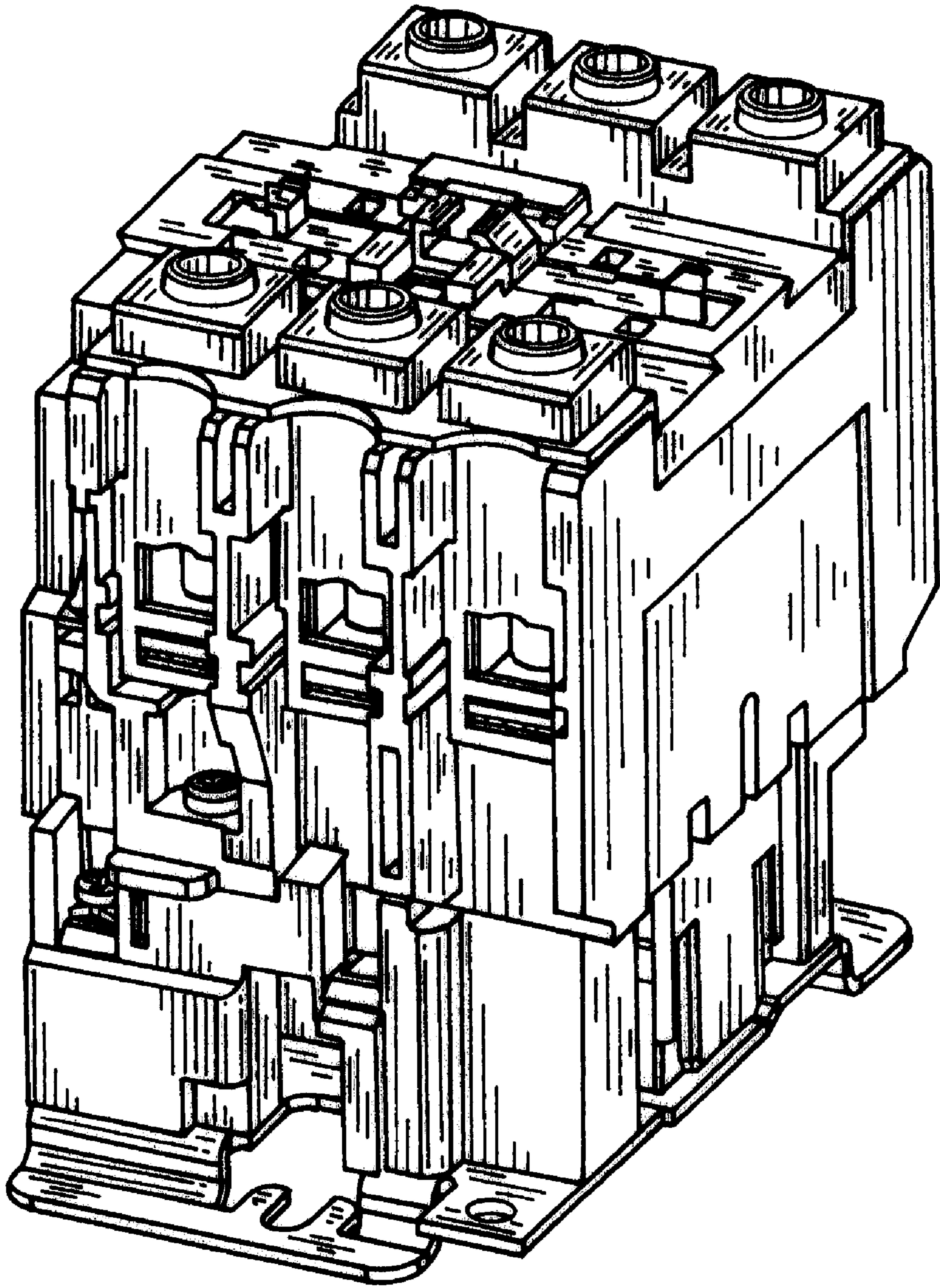


FIG. 7



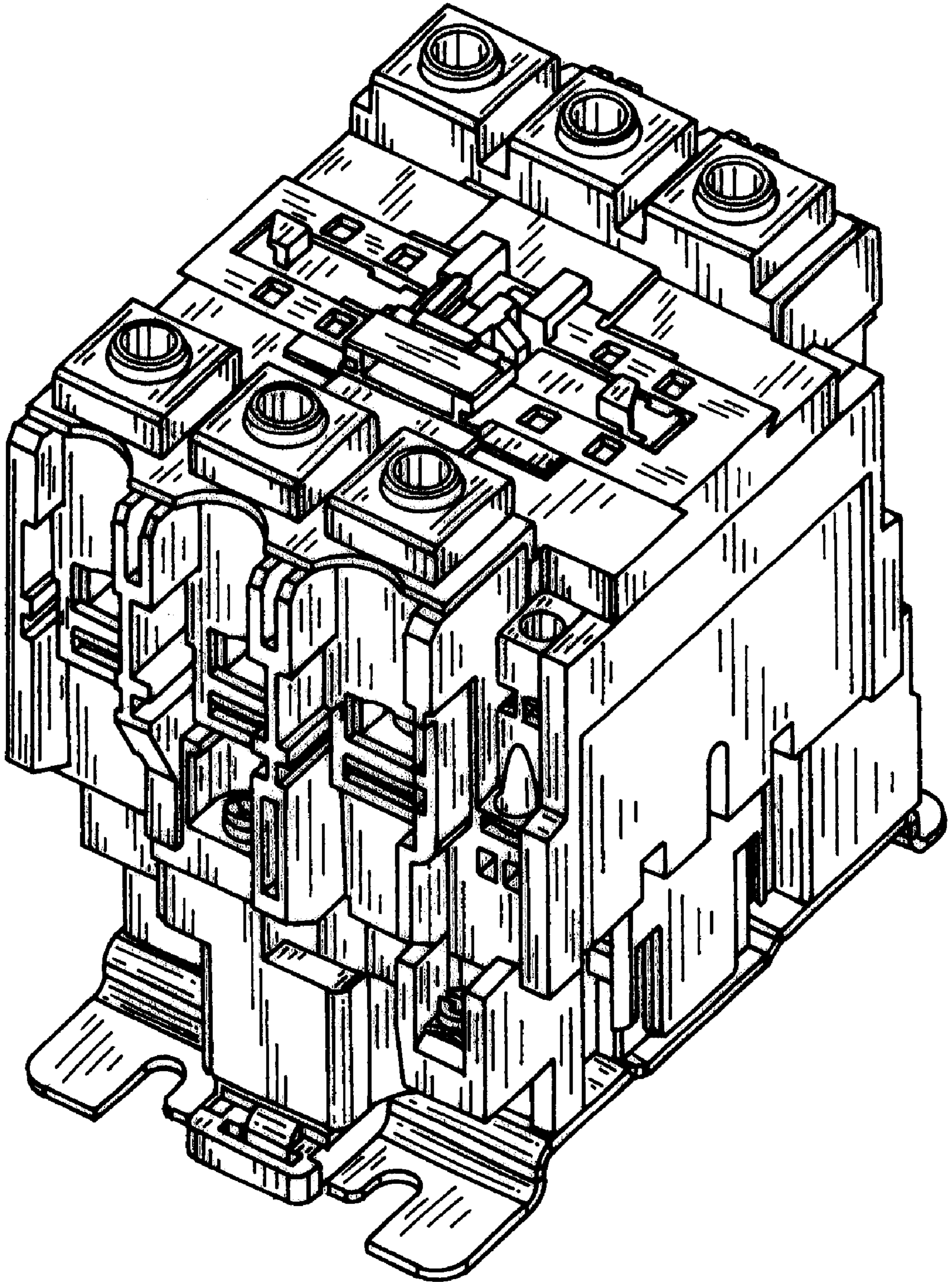


FIG.8