



US00D487245S

(12) **United States Design Patent**  
**Geriene et al.**

(10) **Patent No.:** **US D487,245 S**

(45) **Date of Patent:** **\*\* Mar. 2, 2004**

(54) **ARCuate-WINGED SUBMERSIBLE VEHICLE**

3,747,138 A 7/1973 Morgan ..... 9/310 E  
4,668,197 A 5/1987 Proto ..... 440/54  
2002/0152945 A1 10/2002 Geriene et al. .... 114/312

(75) Inventors: **Marc Geriene**, Kenmore, WA (US);  
**Krist Geriene**, Kenmore, WA (US)

**FOREIGN PATENT DOCUMENTS**

(73) Assignee: **Nova Marine Exploration, Inc.**,  
Kirkland, WA (US)

AU 8776647 A \* 2/1988 ..... B63G/8/42  
WO WO 90/11927 10/1990  
WO WO 90/11927 A1 \* 10/1990 ..... B63G/8/18

(\*\*) Term: **14 Years**

\* cited by examiner

(21) Appl. No.: **29/167,171**

*Primary Examiner*—Holly Baynham

(22) Filed: **Sep. 9, 2002**

(74) *Attorney, Agent, or Firm*—Black, Lowe & Graham

**Related U.S. Application Data**

(57) **CLAIM**

(63) Continuation of application No. 09/898,777, filed on Jul. 3, 2001, now Pat. No. 6,474,255, which is a continuation of application No. 09/357,537, filed on Jul. 19, 1999, now Pat. No. 6,276,294.

The design for an arcuate-winged submersible vehicle, as shown and described.

(51) **LOC (7) Cl.** ..... **12-06**

**DESCRIPTION**

(52) **U.S. Cl.** ..... **D12/308**

FIG. 1 is a front isometric view showing our new design.

(58) **Field of Search** ..... D12/300, 308;

FIG. 2 is a front elevational view thereof.

114/312, 337, 244

FIG. 3 is a rear elevational view thereof.

(56) **References Cited**

FIG. 4 is a right side elevational view thereof.

**U.S. PATENT DOCUMENTS**

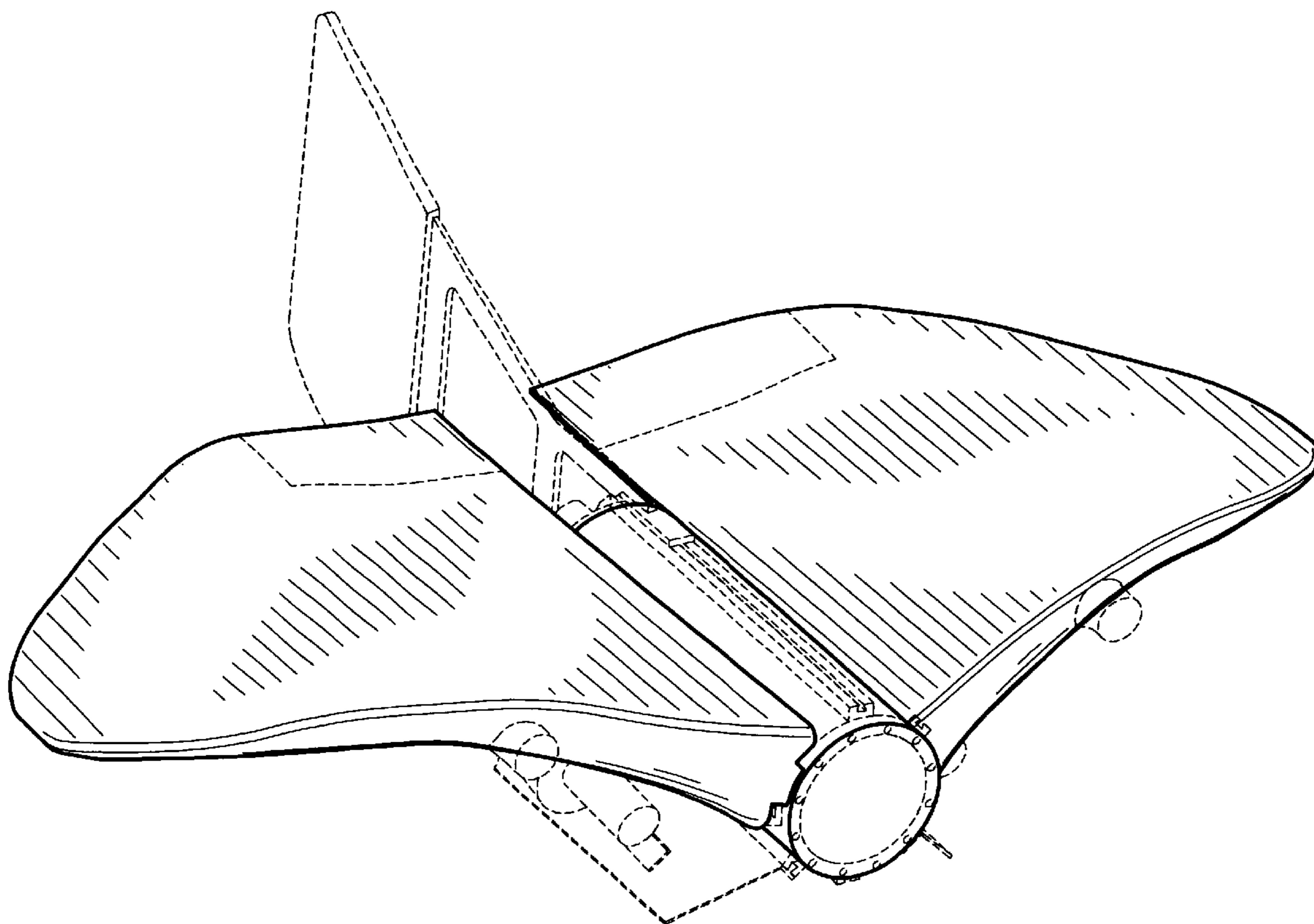
FIG. 5 is a top plan view thereof; and,

3,137,264 A \* 6/1964 Brainard, II et al. .... 114/244

FIG. 6 is a bottom plan view thereof.

The details shown in broken lines in all views are for illustrative purposes only and form no part of the claimed design.

**1 Claim, 4 Drawing Sheets**



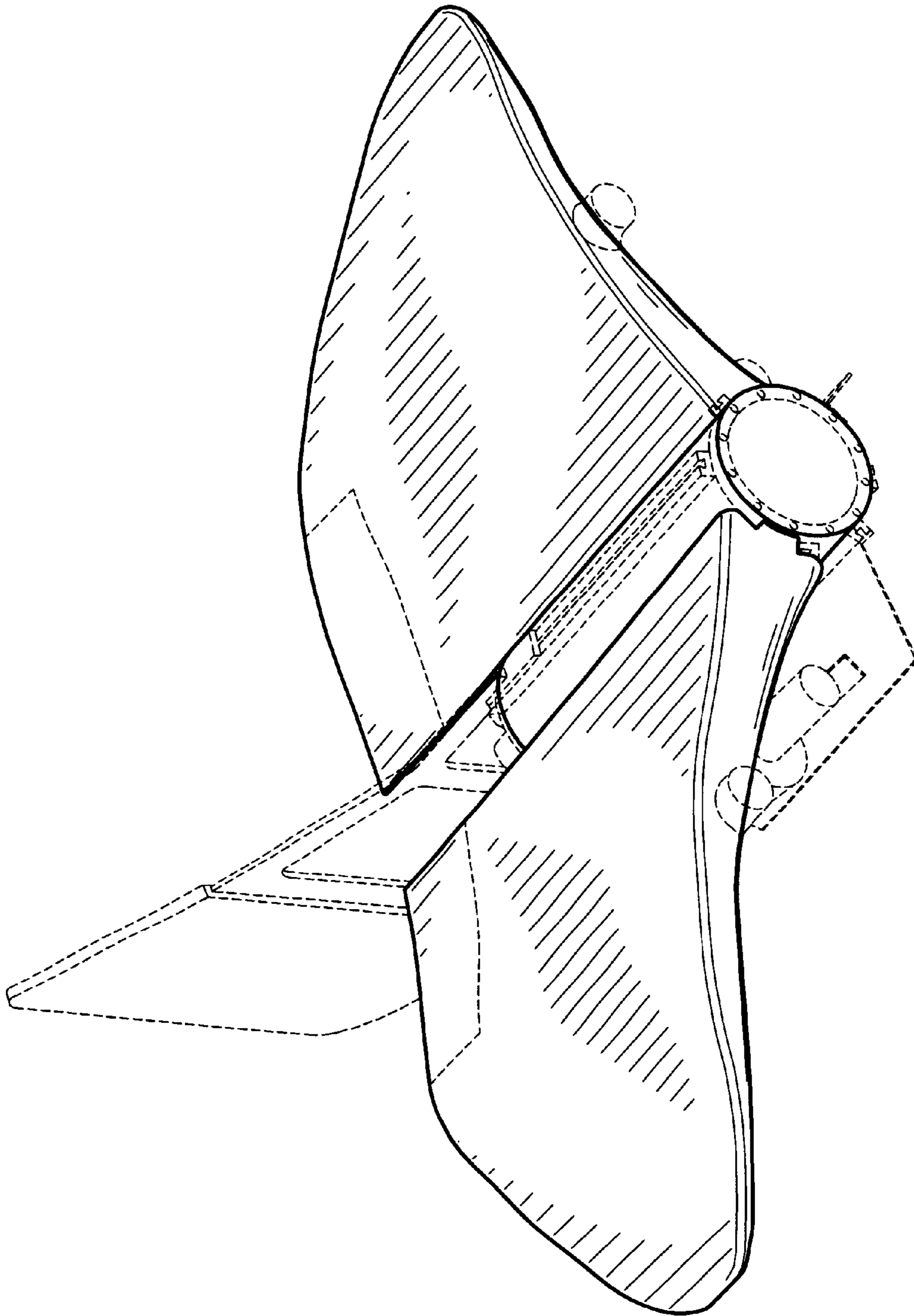


FIG.1

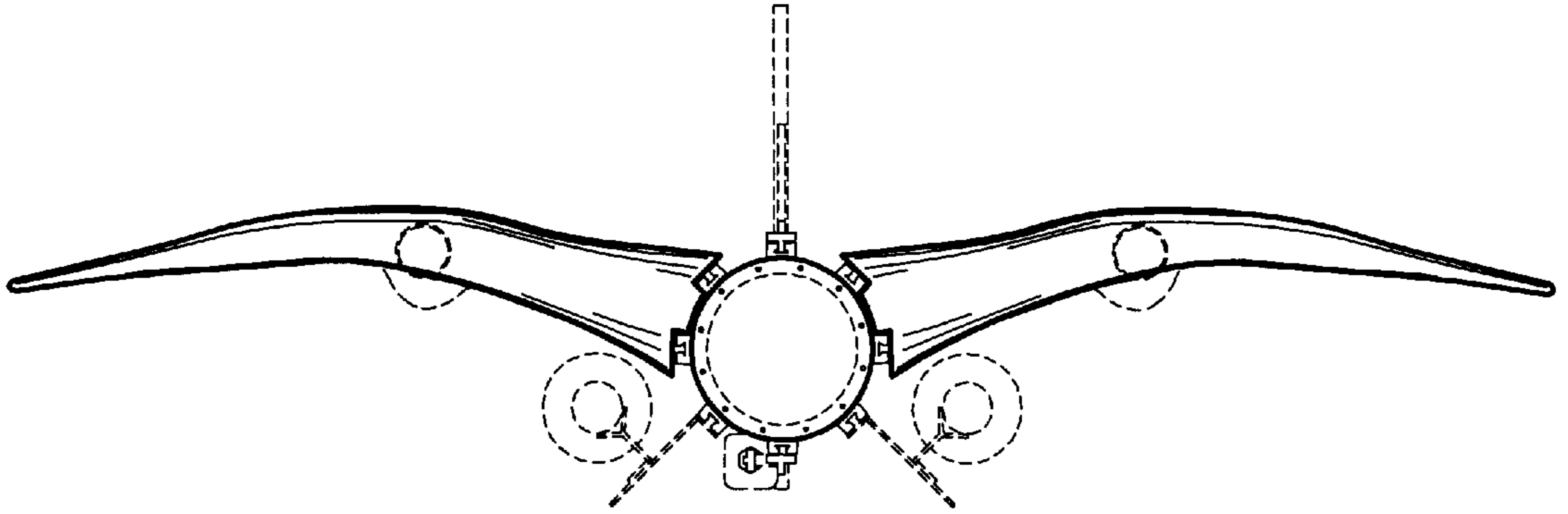


FIG. 2

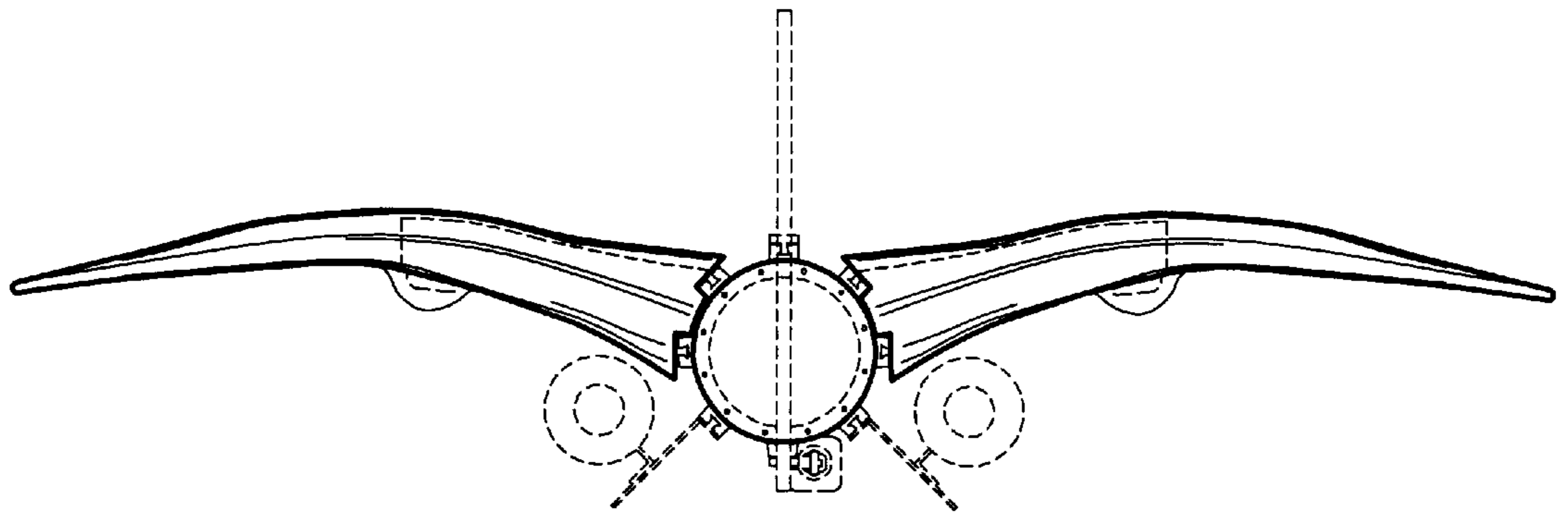


FIG. 3

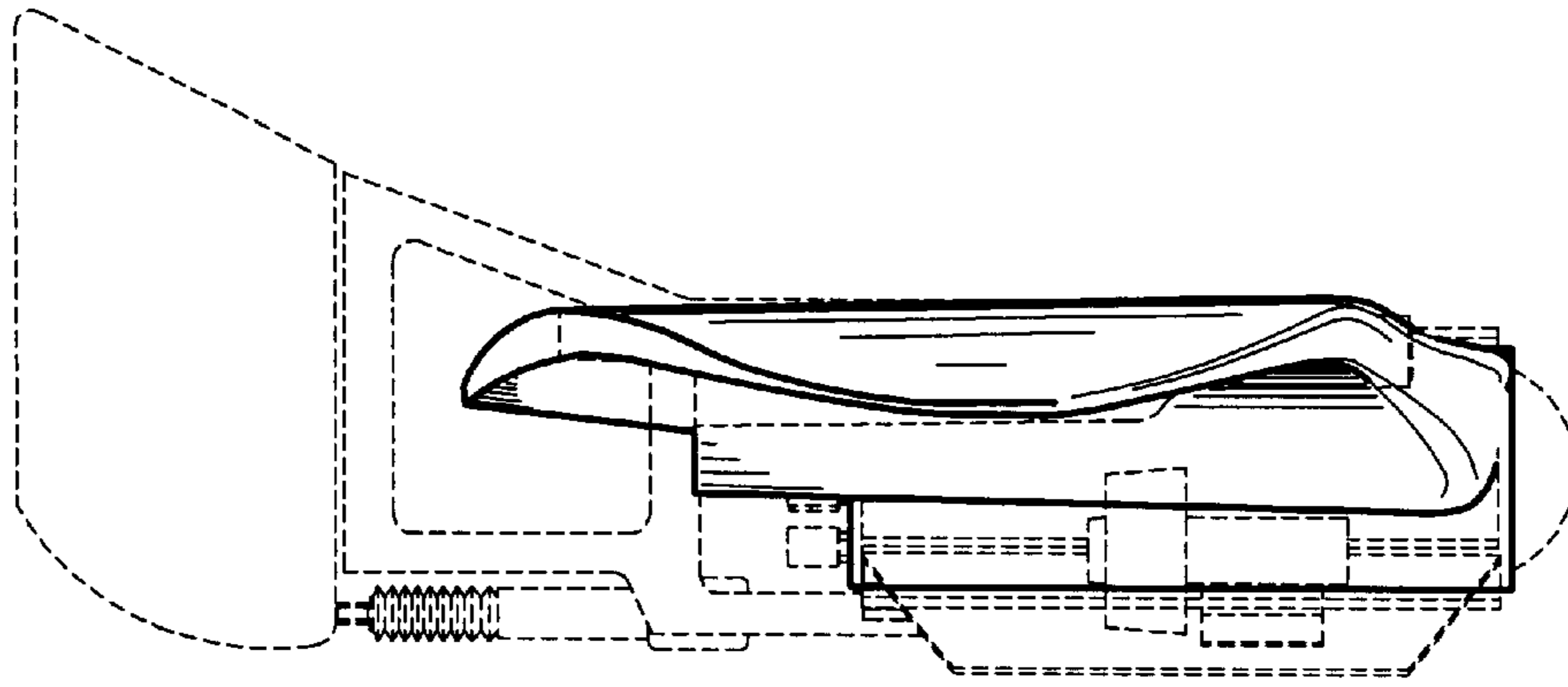


FIG. 4

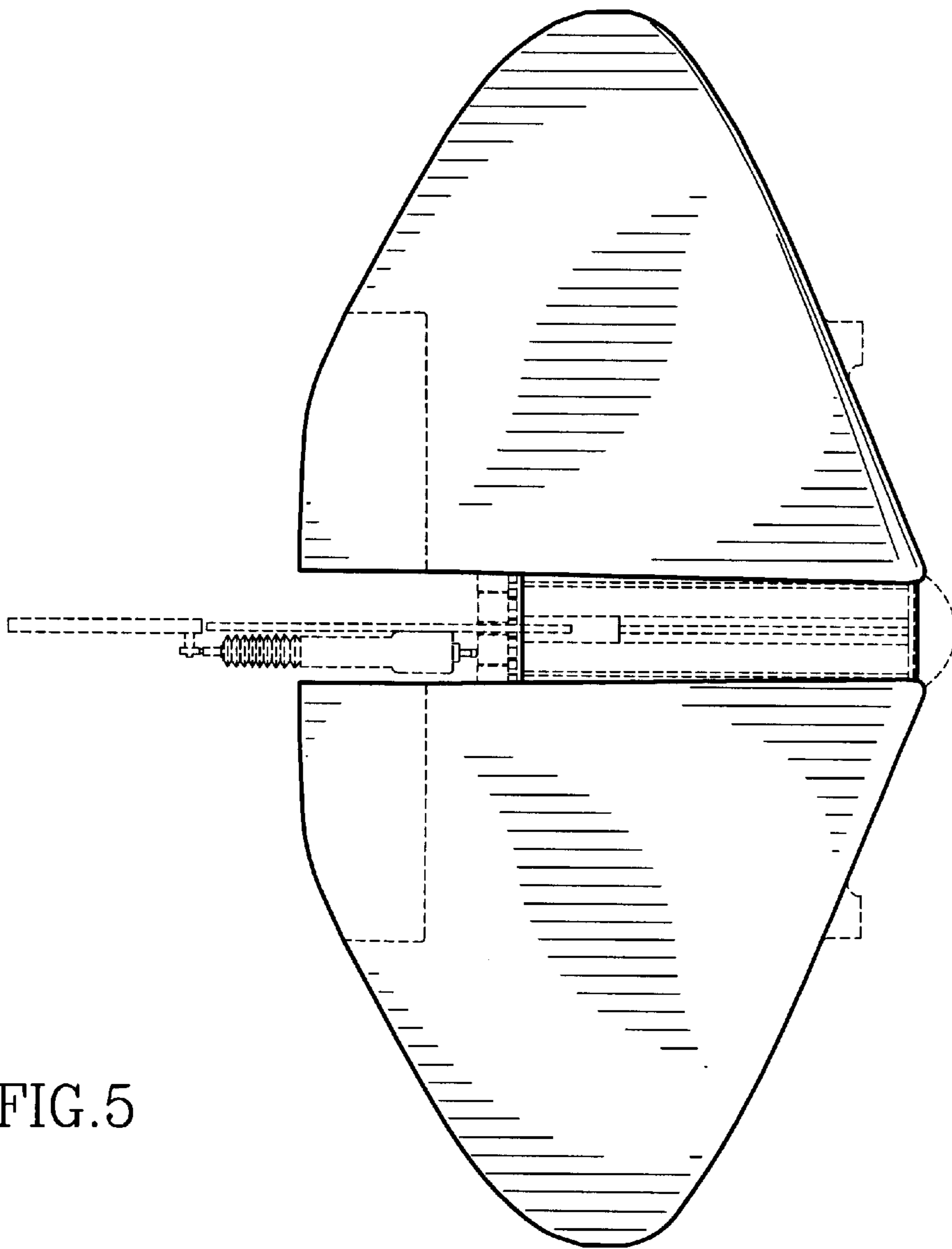


FIG. 5

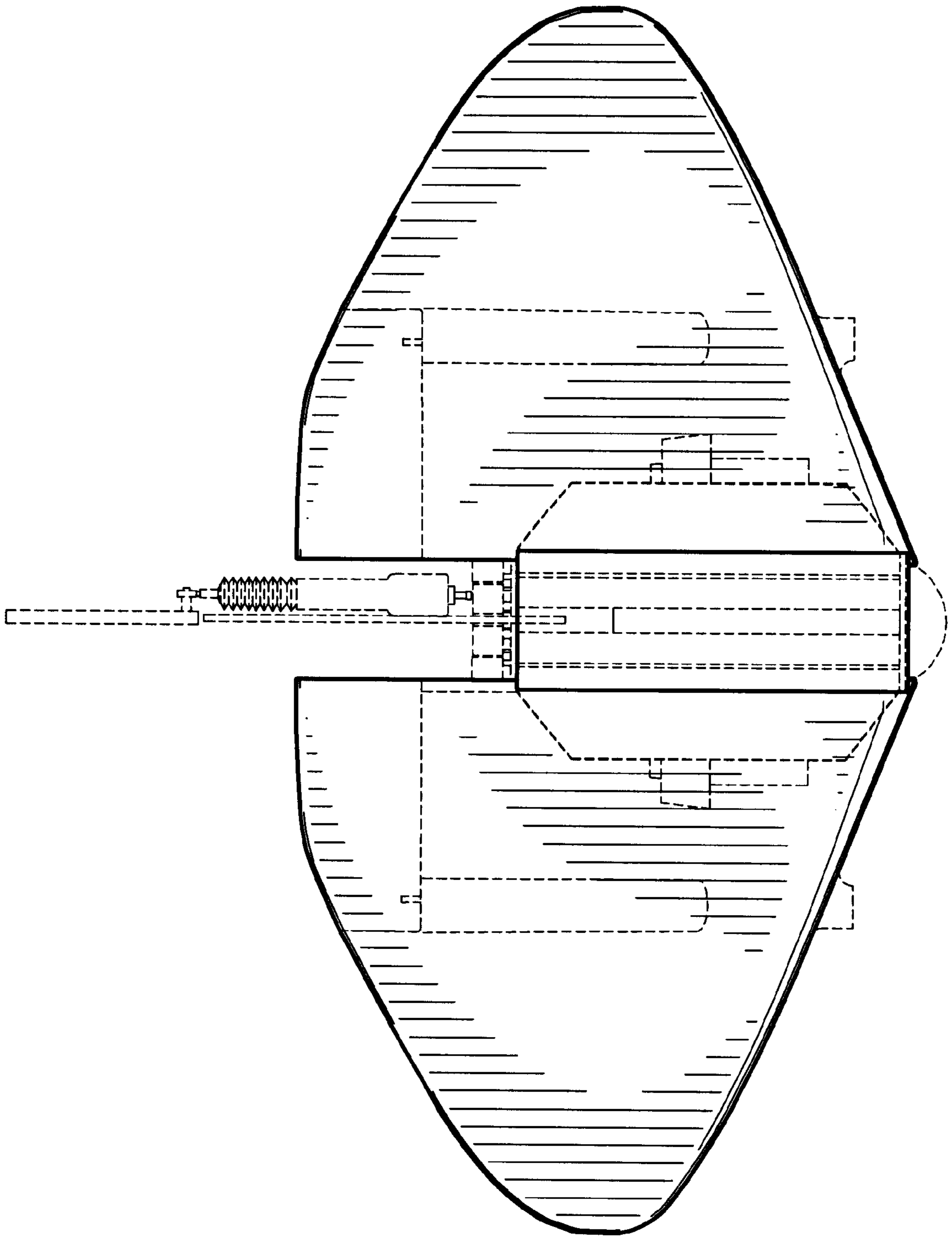


FIG. 6