



US00D487242S

(12) **United States Design Patent**
Lecher et al.

(10) **Patent No.:** **US D487,242 S**

(45) **Date of Patent:** **** Mar. 2, 2004**

(54) **FRONT FACE OF A VEHICLE WHEEL**

(75) Inventors: **Franz Lecher**, Sindelfingen (DE);
Michael Plessing, Renningen (DE)

(73) Assignee: **DaimlerChrysler AG**, Stuttgart (DE)

(**) Term: **14 Years**

(21) Appl. No.: **29/169,613**

(22) Filed: **Oct. 24, 2002**

(30) **Foreign Application Priority Data**

Apr. 25, 2002 (DE) 4 02 03 625

(51) **LOC (7) Cl.** **12-16**

(52) **U.S. Cl.** **D12/211**

(58) **Field of Search** D12/204-211;
301/37.101, 64.101, 65

(56) **References Cited**

U.S. PATENT DOCUMENTS

- D277,661 S * 2/1985 Cafaro et al. D12/211
- D286,278 S * 10/1986 Sandberg D12/211
- D336,886 S * 6/1993 Mikawa D12/211
- D403,291 S * 12/1998 Cullen D12/211
- D439,212 S * 3/2001 Neeper D12/211
- D458,208 S * 6/2002 Hartl D12/211

- D462,309 S * 9/2002 Hieke D12/211
- D466,066 S * 11/2002 Bintoro D12/211
- D466,466 S * 12/2002 Laengerer D12/211
- D466,852 S * 12/2002 Pfeiffer et al. D12/211
- D480,031 S * 9/2003 Mattin et al. D12/209
- D480,038 S * 9/2003 Oh D12/211

* cited by examiner

Primary Examiner—Stacia Cadmus

(74) *Attorney, Agent, or Firm*—Crowell & Moring LLP

(57) **CLAIM**

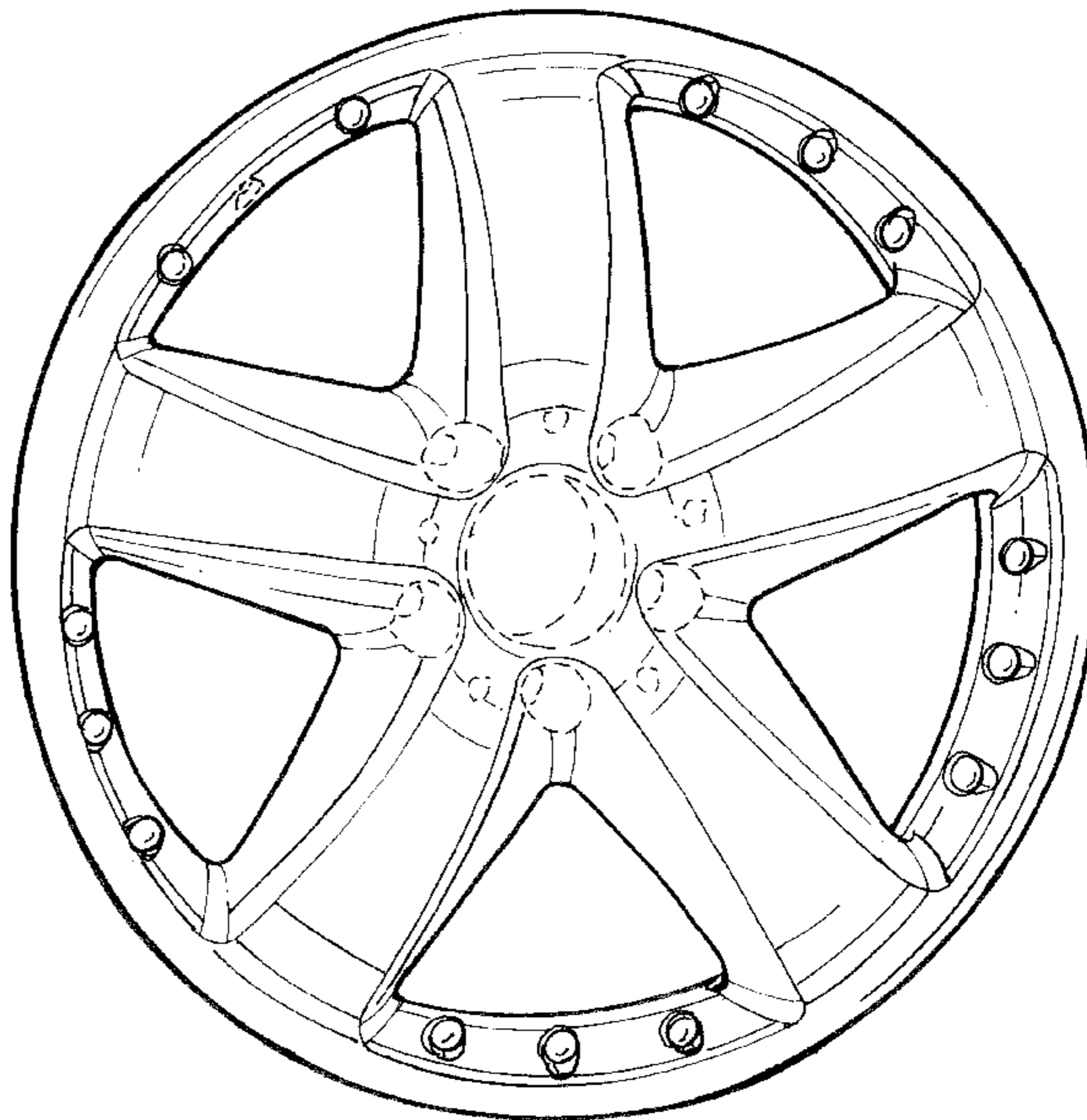
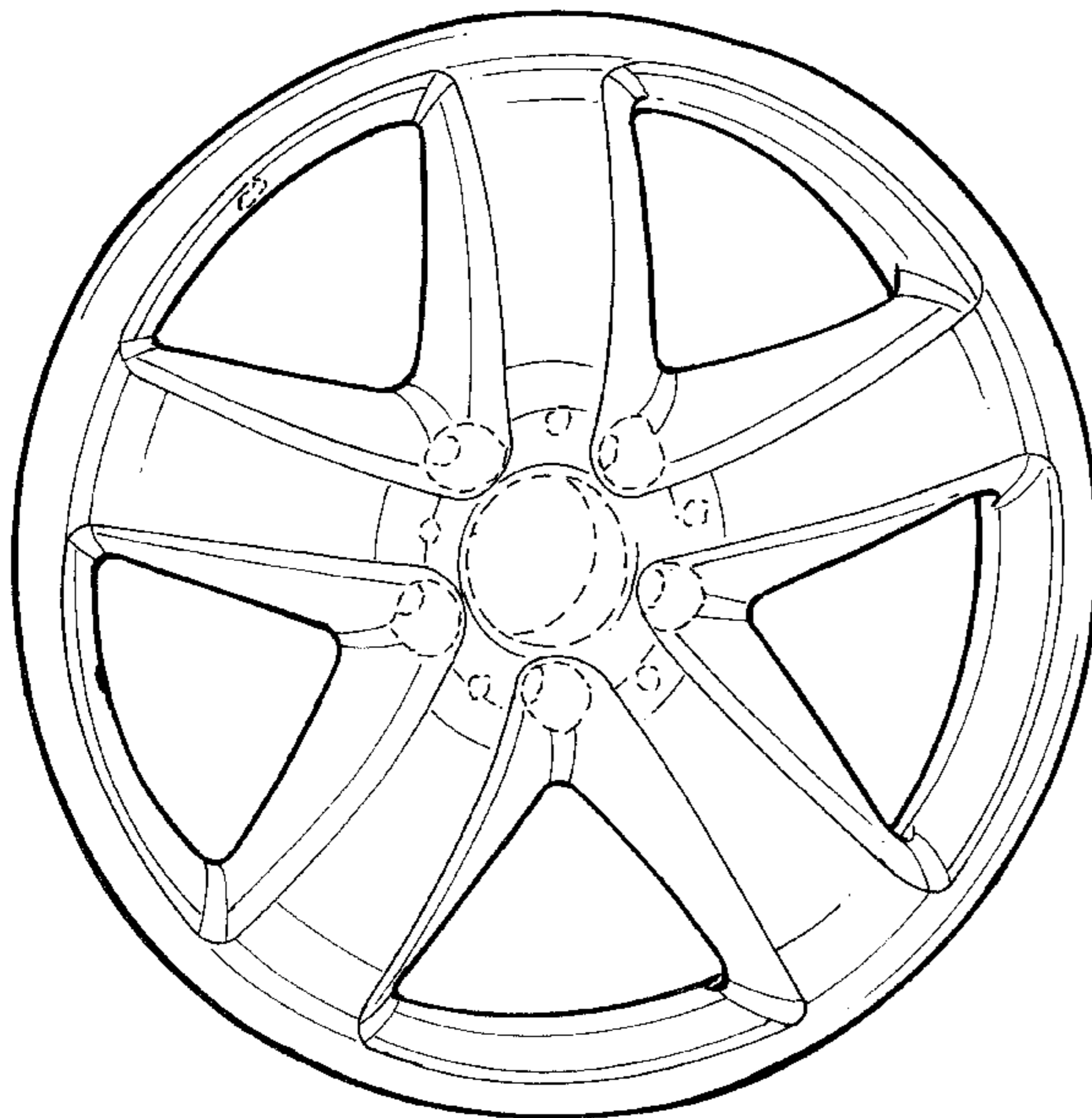
The ornamental design for a front face of a vehicle wheel, as shown and described.

DESCRIPTION

FIG. 1 is a front view of a first embodiment of a front face of a vehicle wheel according to our novel design; FIG. 2 is a perspective view of the first embodiment of the front face of a vehicle wheel according to our novel design; FIG. 3 is a front view of a second embodiment of the front face of a vehicle wheel according to our novel design; and, FIG. 4 is a perspective view of the second embodiment of the front face of a vehicle wheel according to our novel design.

The dash lines included depict environment and are not part of the claimed design.

1 Claim, 2 Drawing Sheets



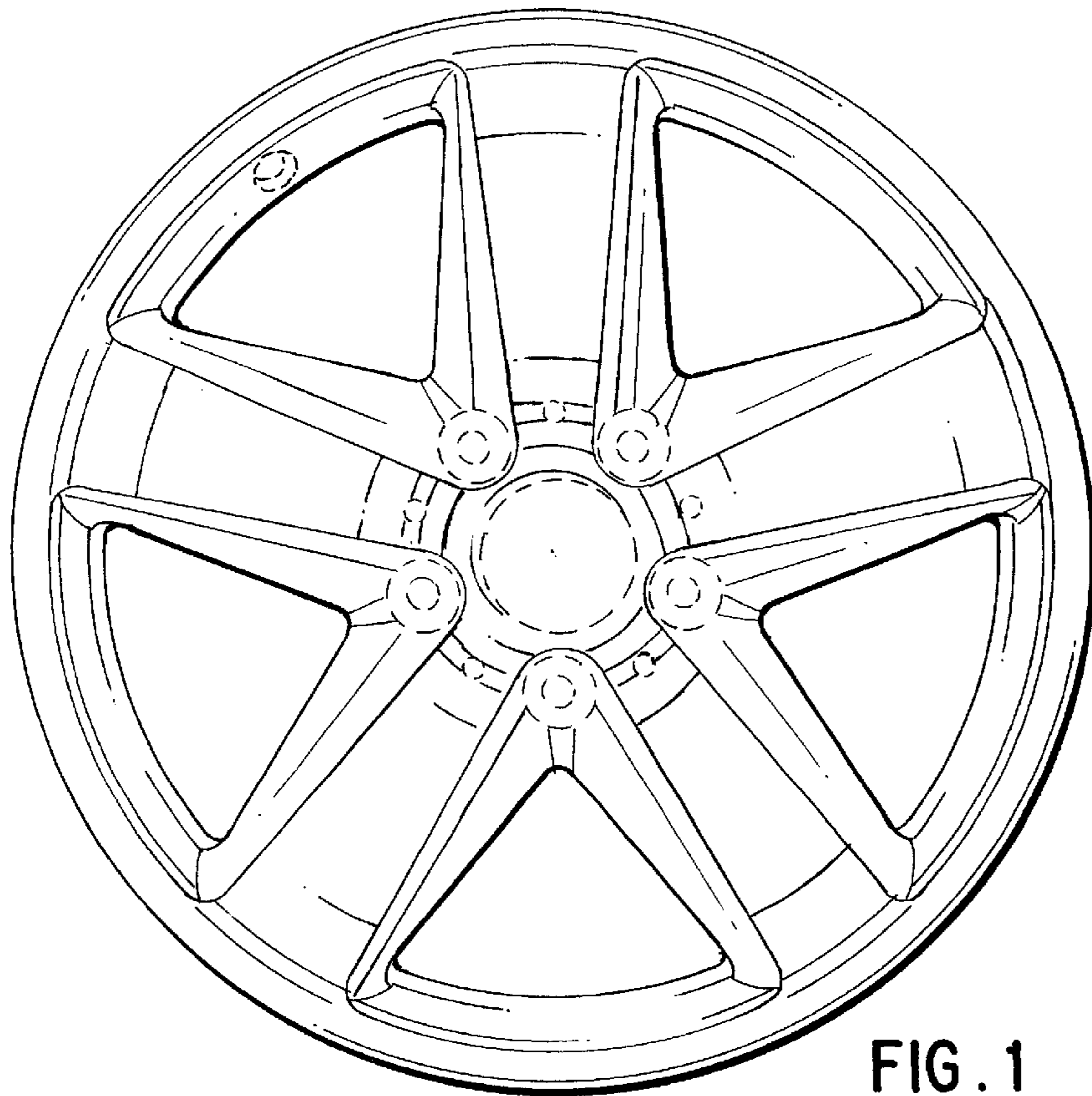


FIG. 1

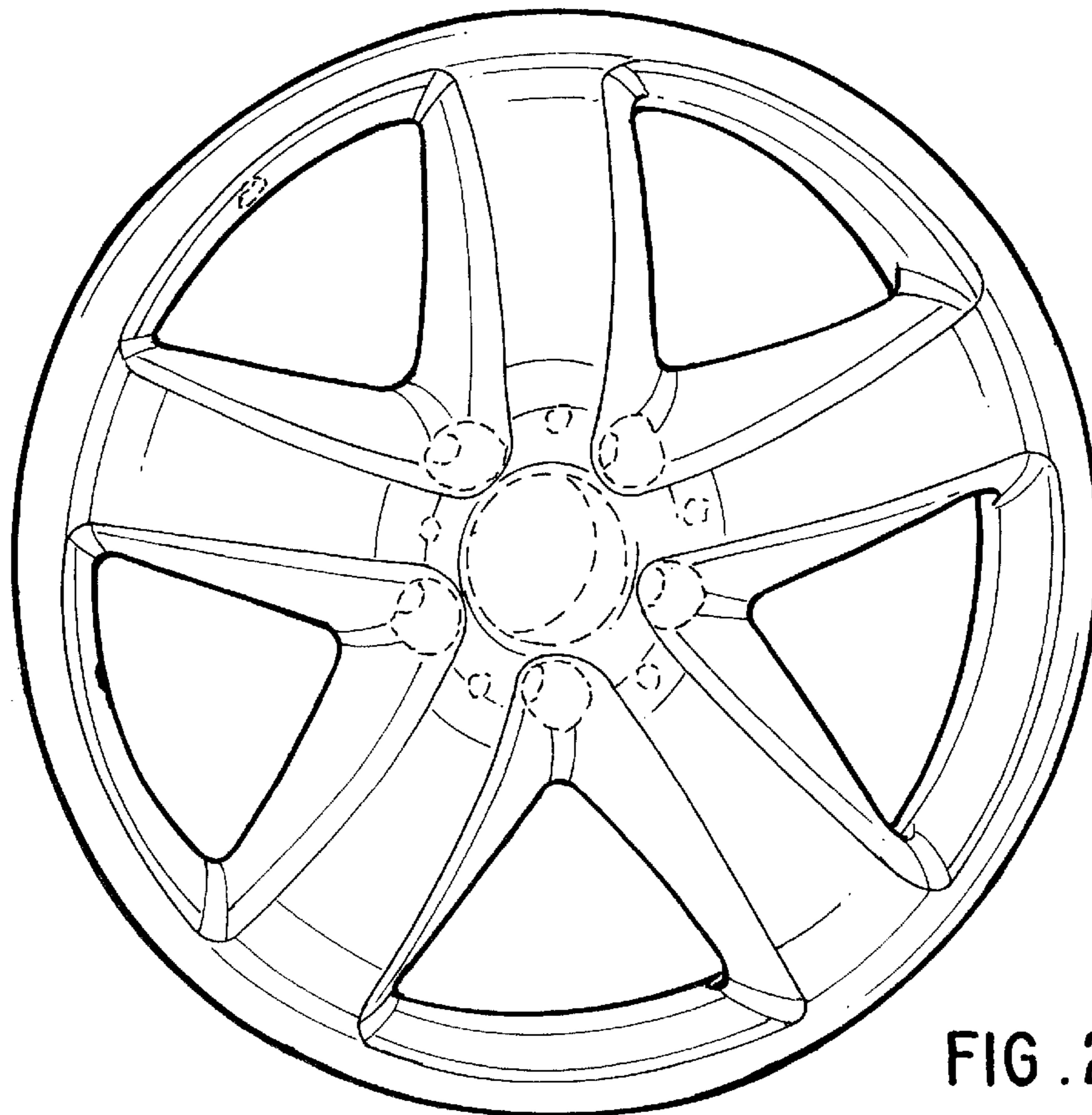


FIG. 2

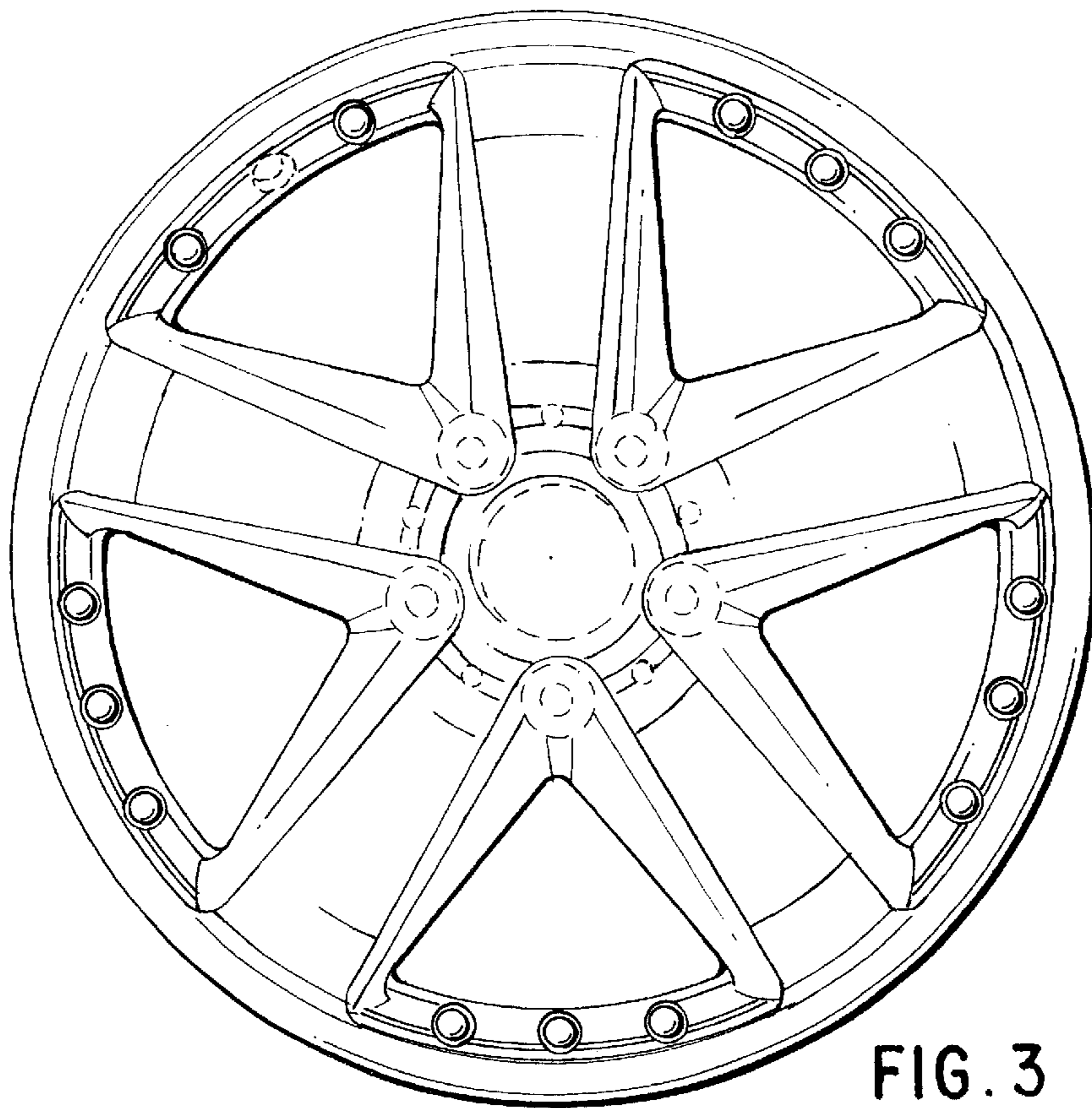


FIG. 3

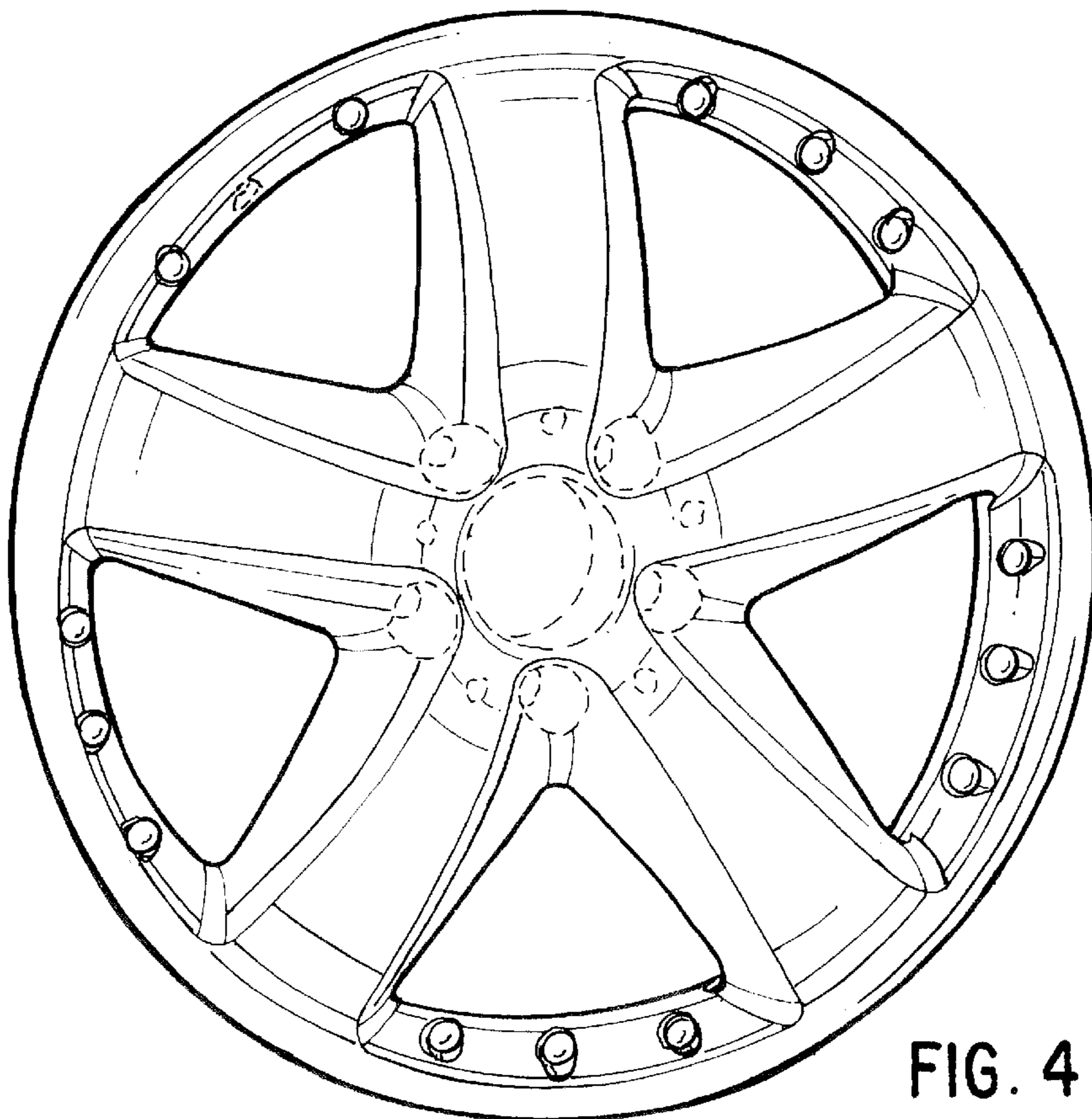


FIG. 4