



US00D487235S

(12) **United States Design Patent**
Thomas et al.

(10) **Patent No.:** **US D487,235 S**

(45) **Date of Patent:** **** Mar. 2, 2004**

(54) **FOOT REST**

(76) Inventors: **Andrew J. Thomas**, 3864 N. Yosemite Dr., Baton Rouge, LA (US) 70814;
James R. Piper, 13133 Petite Dr., Maurepas, LA (US) 70449

(**) Term: **14 Years**

(21) Appl. No.: **29/176,258**

(22) Filed: **Feb. 19, 2003**

(51) **LOC (7) Cl.** **12-11**

(52) **U.S. Cl.** **D12/114**

(58) **Field of Search** D12/110, 114,
D12/122, 124, 125; 280/288.4, 291; 74/473.16,
478, 512, 560, 564, 594.4, 594.7; 296/75;
180/230

(56) **References Cited**

PUBLICATIONS

Drag Specialties 1999 FatBook, Accutronix Aluminum Footpeg product No. DS-243576 on p. 665.*
Drag Specialties 1999 FatBook Update, Ace Metal Tank Panel product No. DS-373868 on p. 41.*

West Coast Choppers 2001 catalog, iron cross-theme accessories, page unnumbered.*

* cited by examiner

Primary Examiner—Alan P. Douglas
Assistant Examiner—Linda Brooks
(74) *Attorney, Agent, or Firm*—David L. Ray

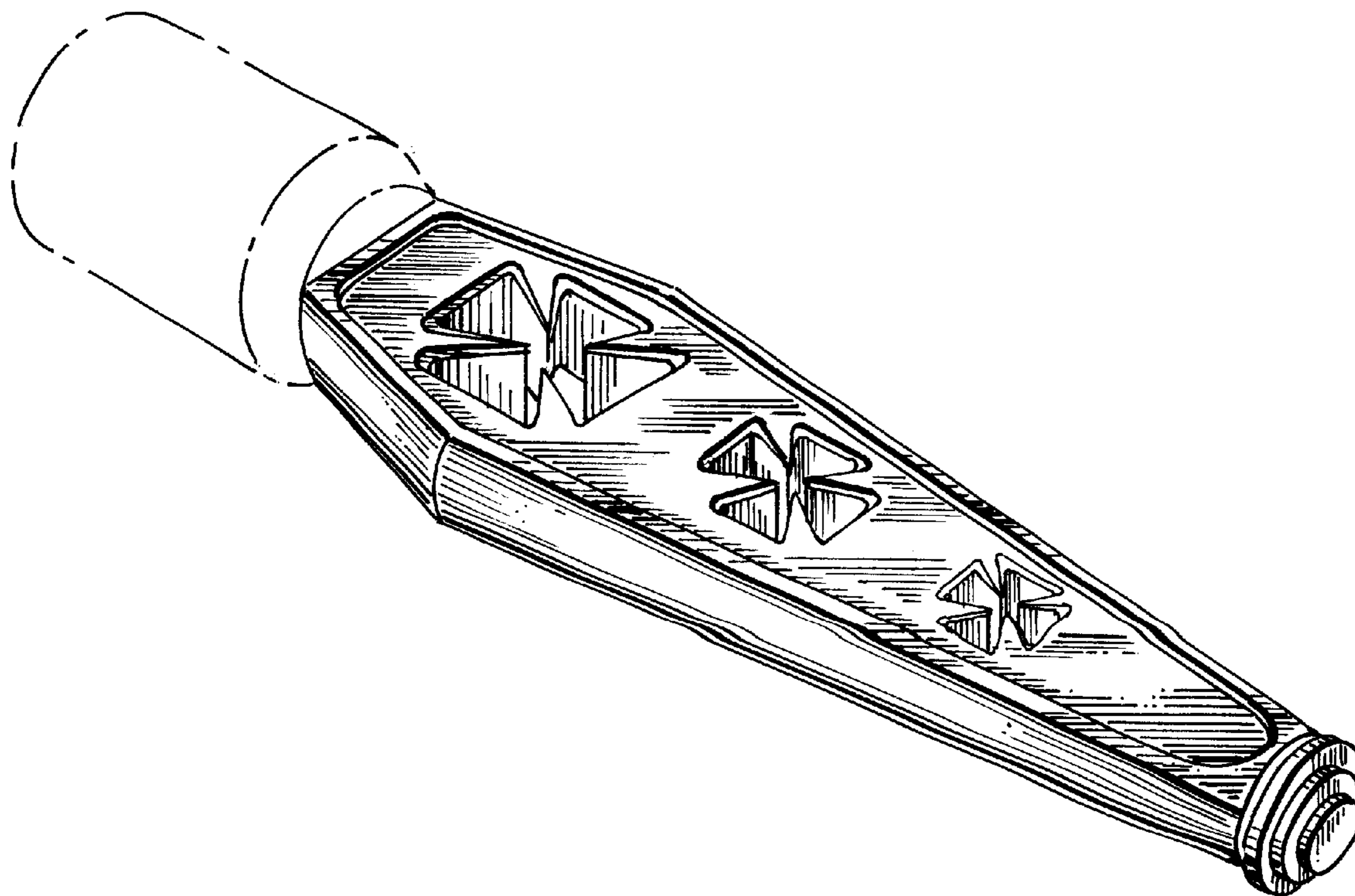
(57) **CLAIM**

The ornamental design for a foot rest, as shown.

DESCRIPTION

FIG. 1 is a top plan view of a foot rest showing my new design;
FIG. 2 is a bottom plan view thereof;
FIG. 3 is an end view of the outer end thereof;
FIG. 4 is an end view of the inner end thereof;
FIG. 5 is a right side view thereof;
FIG. 6 is a left side view thereof; and,
FIG. 7 is a perspective view thereof.
The broken lines shown are for illustrative purposes only and form no part of the claimed design.

1 Claim, 2 Drawing Sheets



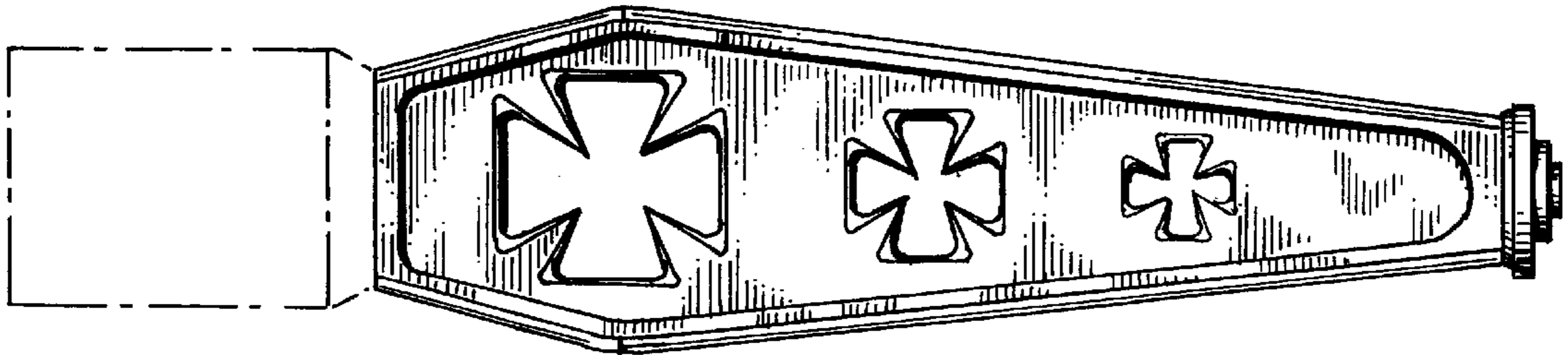


FIG. 1.

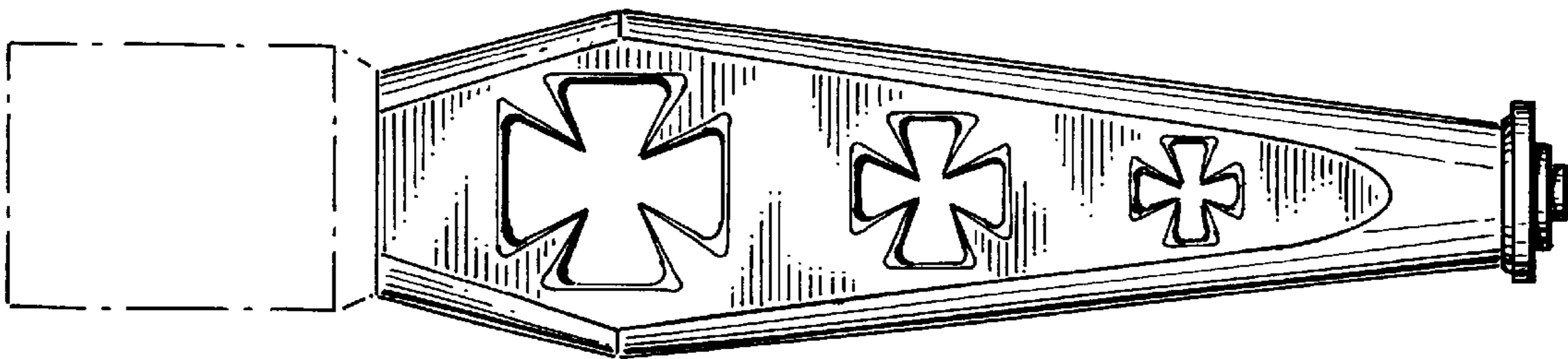


FIG. 2.

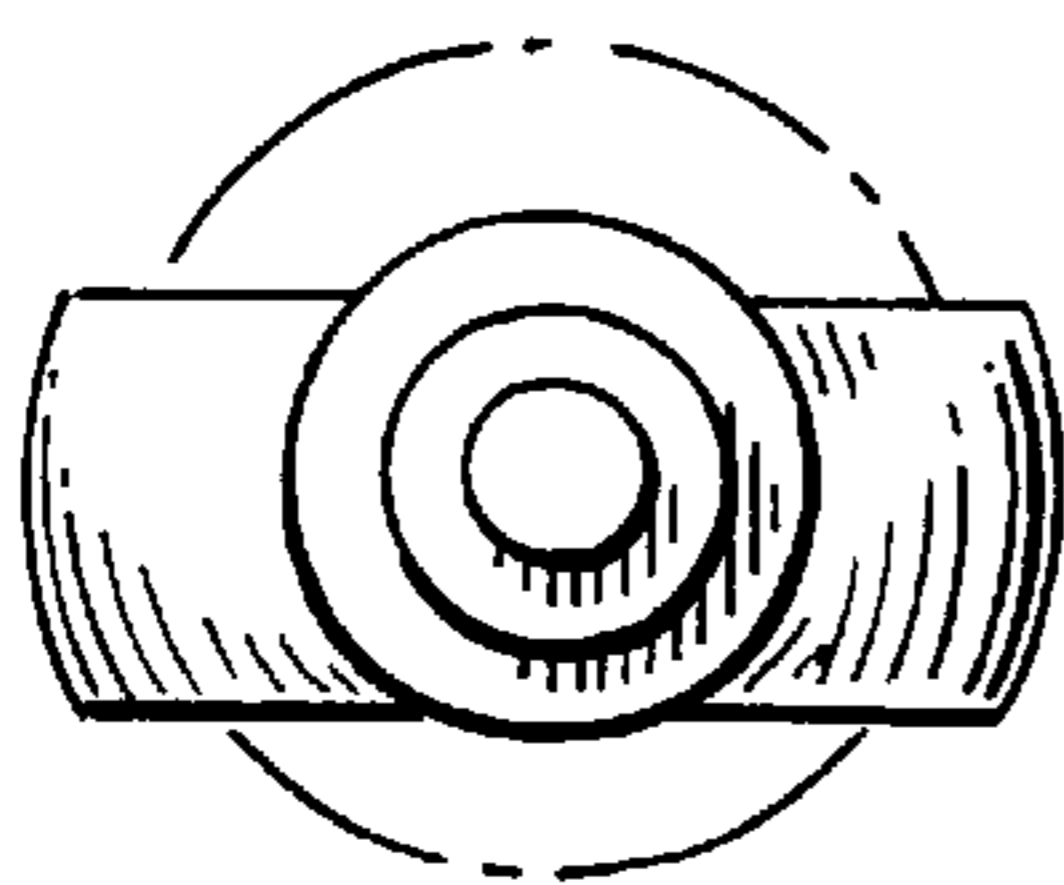


FIG. 3.

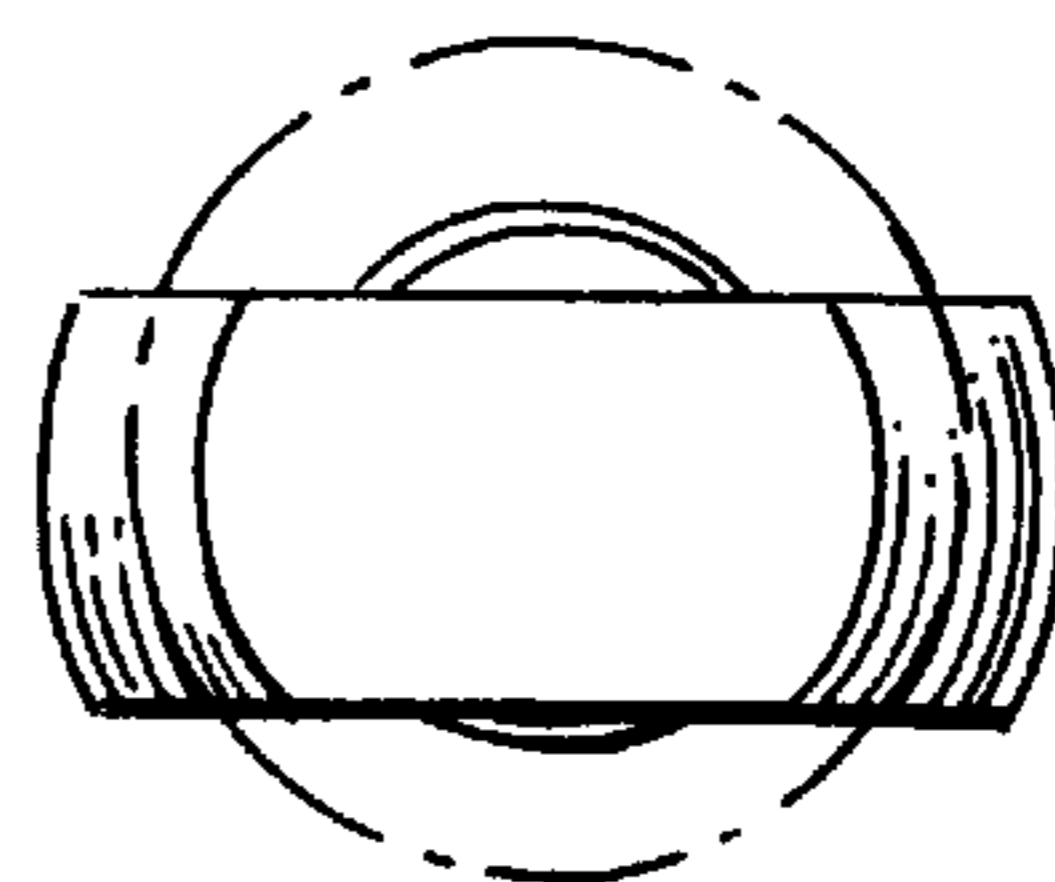


FIG. 4.

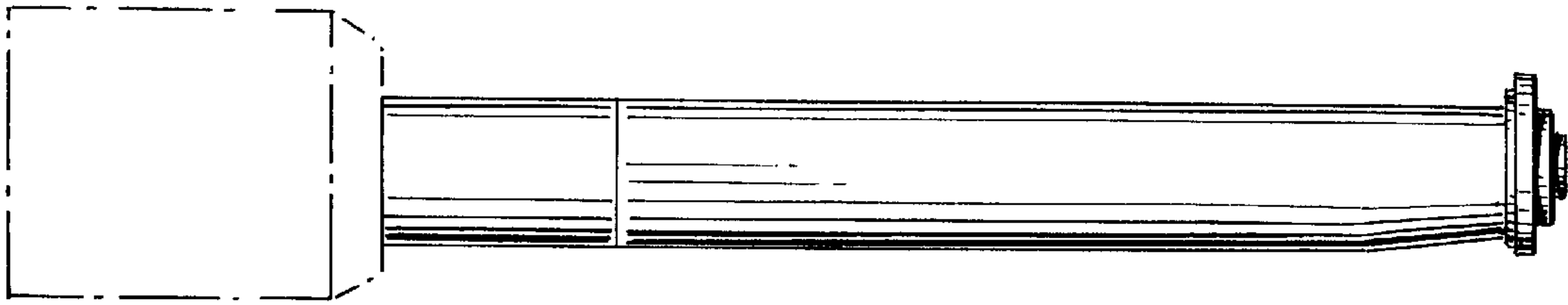


FIG. 5.

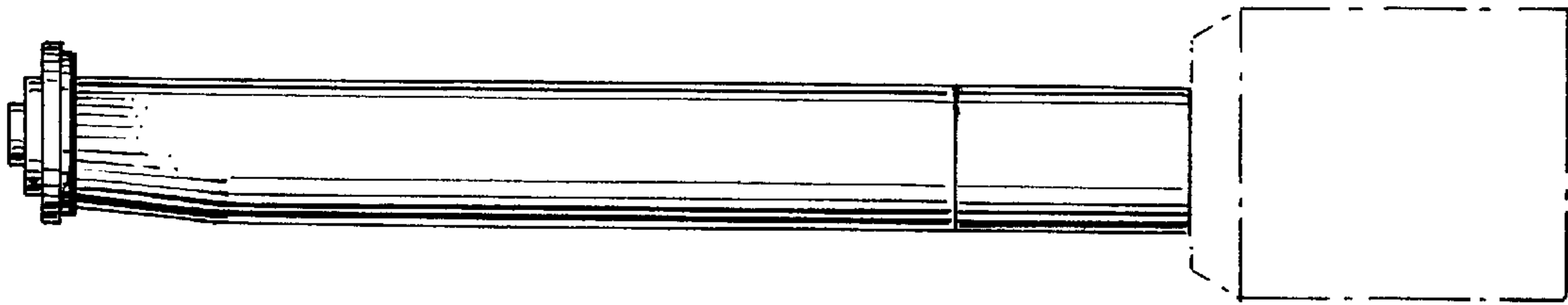


FIG. 6.

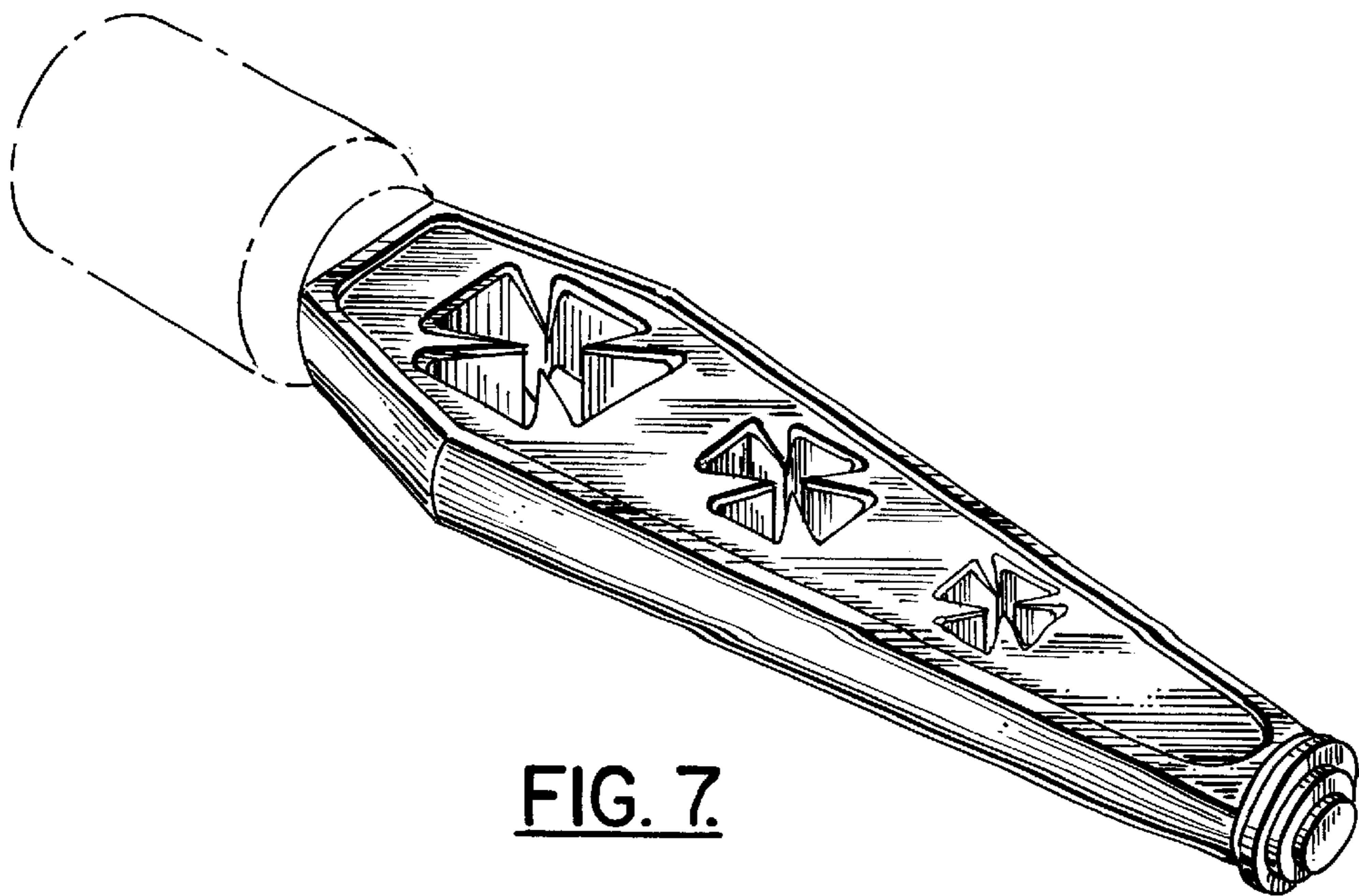


FIG. 7.