



US00D487228S

(12) **United States Design Patent**
Heisner et al.

(10) **Patent No.:** **US D487,228 S**
(45) **Date of Patent:** **** Mar. 2, 2004**

(54) **SQUARE BELL AND GRIP STRUCTURE**

(75) Inventors: **David Heisner**, York, PA (US);
Sheldon Yourist, York, PA (US)

(73) Assignee: **Graham Packaging Company, L.P.**,
York, PA (US)

(**) Term: **14 Years**

(21) Appl. No.: **29/181,227**

(22) Filed: **May 8, 2003**

(51) **LOC (7) Cl.** **09-01**

(52) **U.S. Cl.** **D9/538; D9/551; D9/558**

(58) **Field of Search** D9/516, 530, 537,
D9/538, 539, 541, 542, 549, 551, 556,
558, 564, 569, 574; 215/381, 383, 384,
396, 398, 400

(56) **References Cited**

U.S. PATENT DOCUMENTS

D320,154 S	*	9/1991	Alberghini et al.	D9/557 X
5,199,588 A	*	4/1993	Hayashi	215/381
5,407,086 A	*	4/1995	Ota et al.	215/383
5,762,221 A	*	6/1998	Tobias et al.	215/381
D421,721 S	*	3/2000	Guertin	D9/520
6,044,997 A	*	4/2000	Ogg	215/381
D426,164 S	*	6/2000	Gans et al.	D9/541
D439,166 S	*	3/2001	Denner et al.	D9/538
D445,695 S	*	7/2001	Ogg	D9/550
D462,271 S	*	9/2002	Bourque et al.	D9/539

D478,817 S	*	8/2003	Yourist	D9/530
D480,310 S	*	10/2003	Yourist	D9/530
2003/0168425 A1	*	9/2003	Yourist	215/381

* cited by examiner

Primary Examiner—James Gandy

Assistant Examiner—Carol Rademaker

(74) *Attorney, Agent, or Firm*—Venable LLP; James R. Burdett; Catherine M. Voorhees

(57) **CLAIM**

The ornamental design for a square bell and grip structure, as shown and described.

DESCRIPTION

FIG. 1 is a perspective view of a first embodiment of the square bell and grip structure;

FIG. 2 is a side view of a the first embodiment of FIG. 1, which is the same for all four sides of the square bell and grip structure;

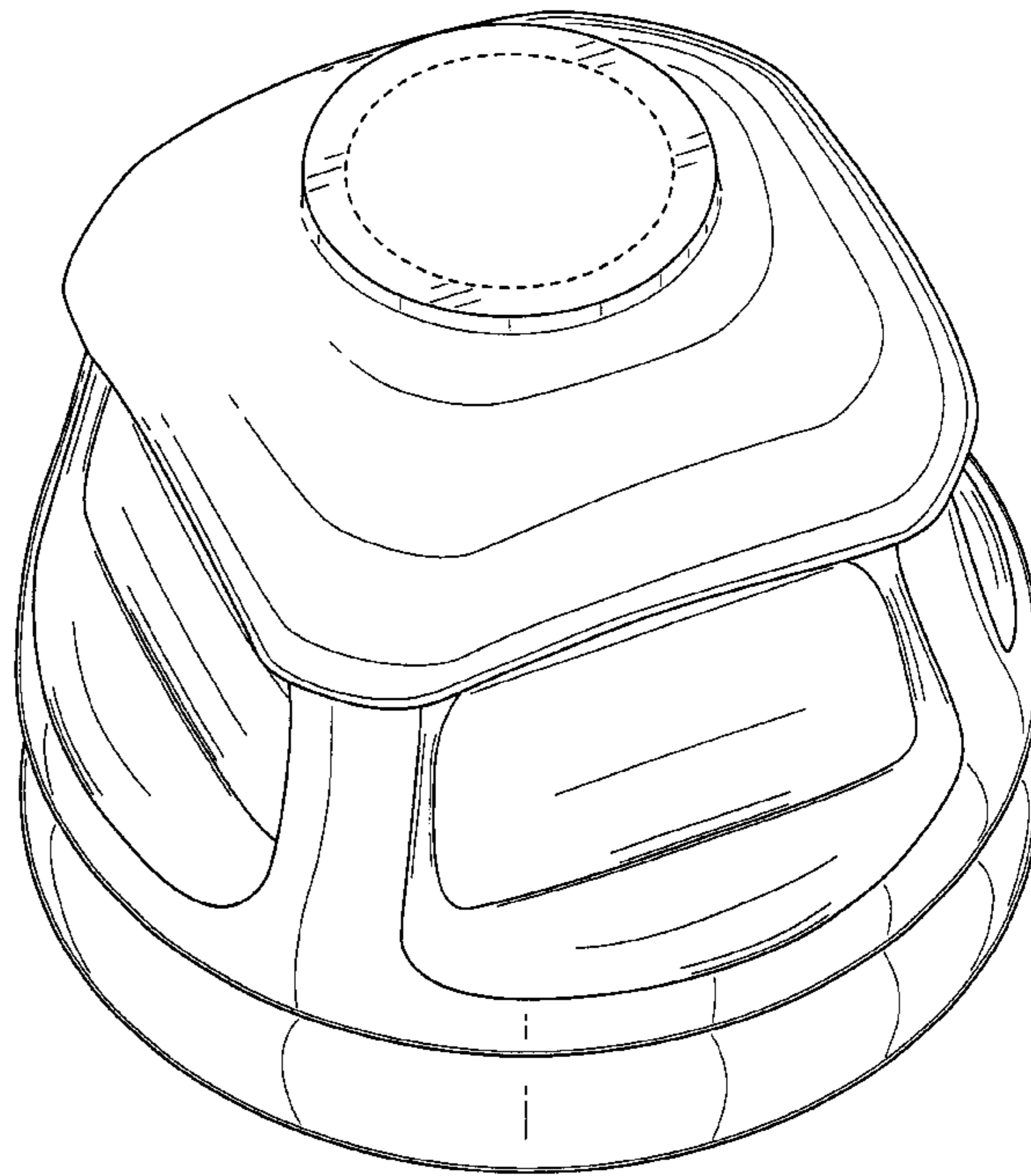
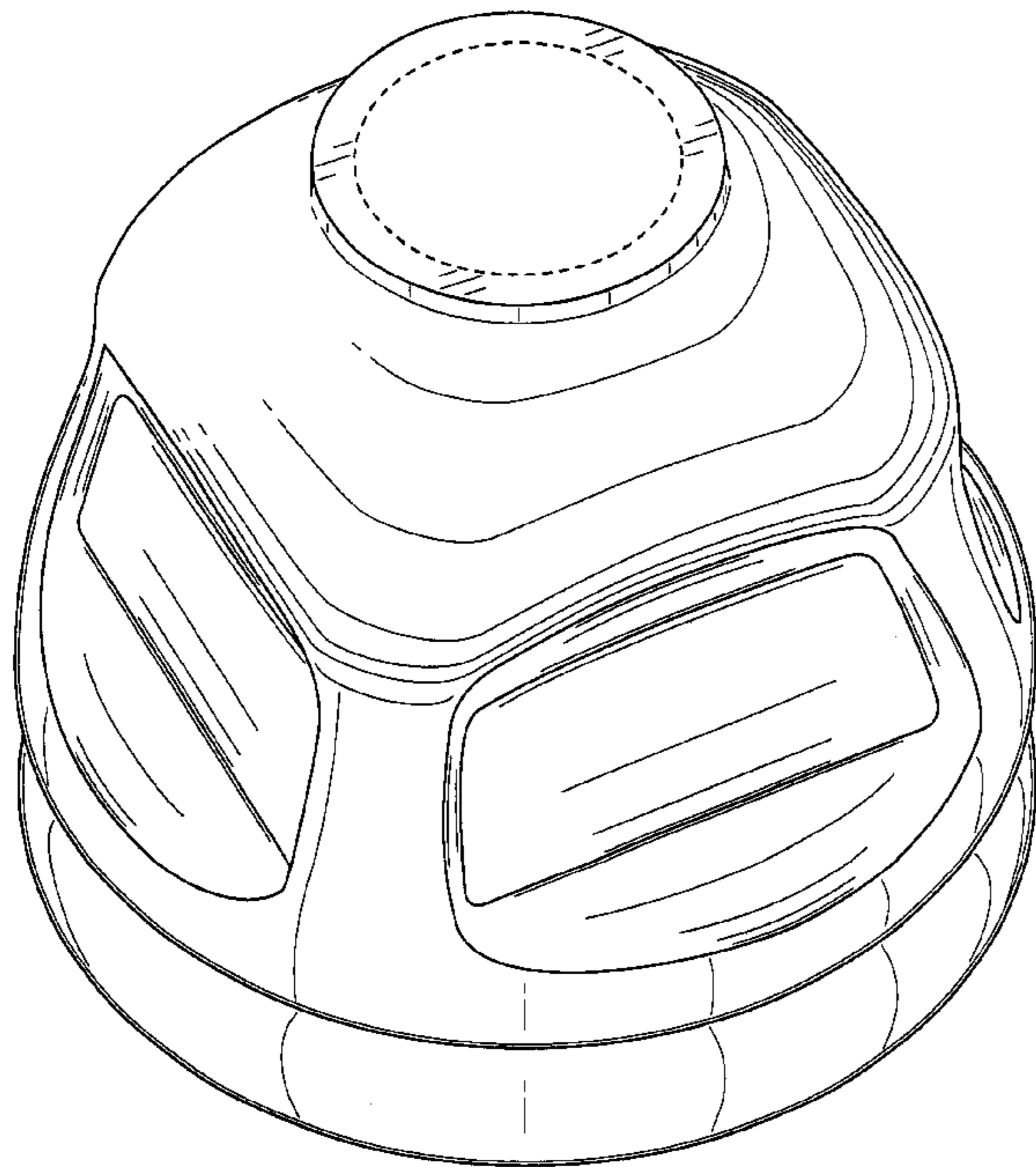
FIG. 3 is a top view of the first embodiment of FIG. 1;

FIG. 4 is a perspective view of a second embodiment of the square bell and grip structure;

FIG. 5 is a side view of a the second embodiment of FIG. 4, which is the same for all four sides of the square bell and grip structure; and,

FIG. 6 is a top view of the second embodiment of FIG. 4. The broken lines shown in the drawing are for illustrative purposes only and form no part of the claimed design.

1 Claim, 6 Drawing Sheets



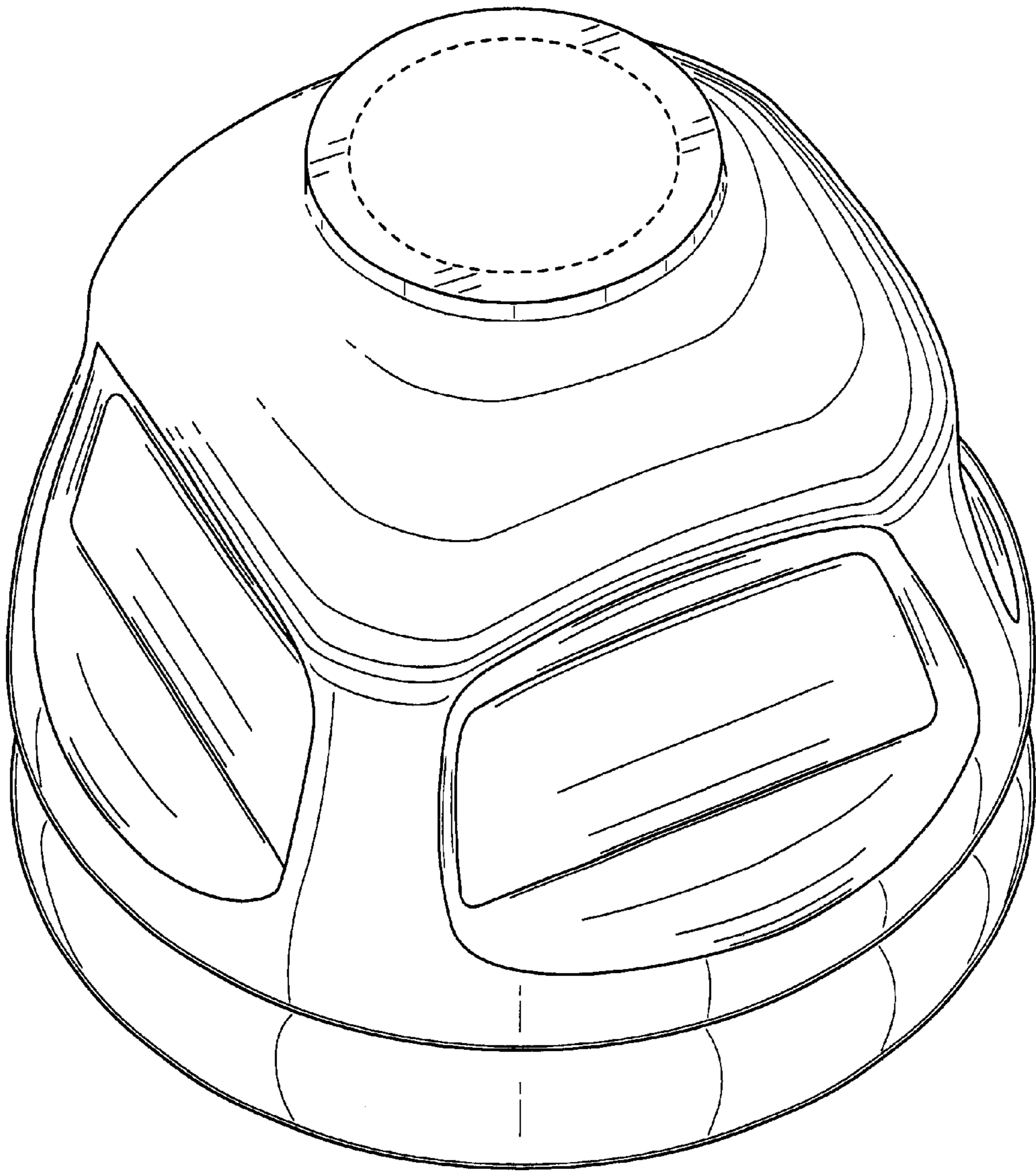


FIG. 1

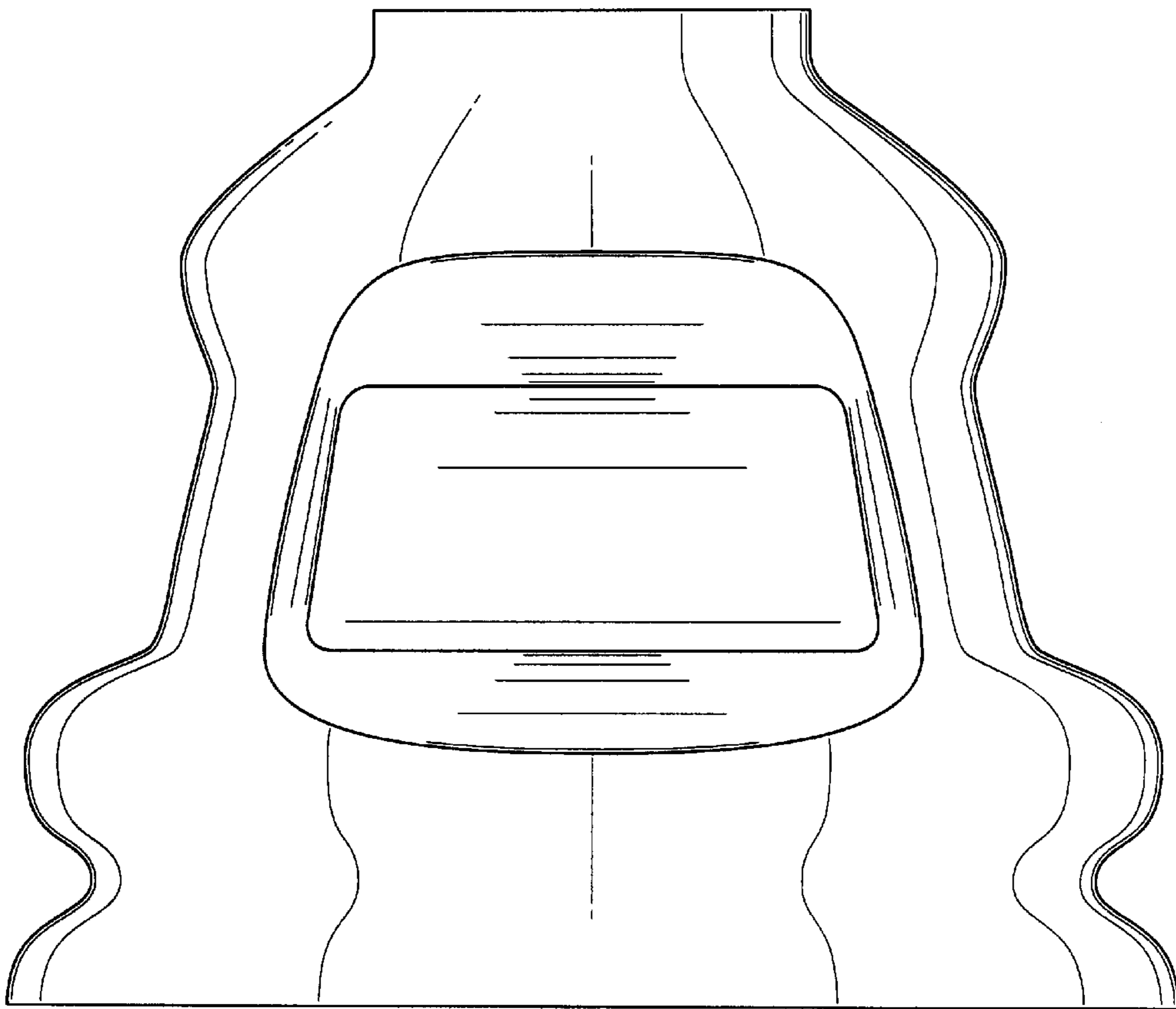


FIG. 2

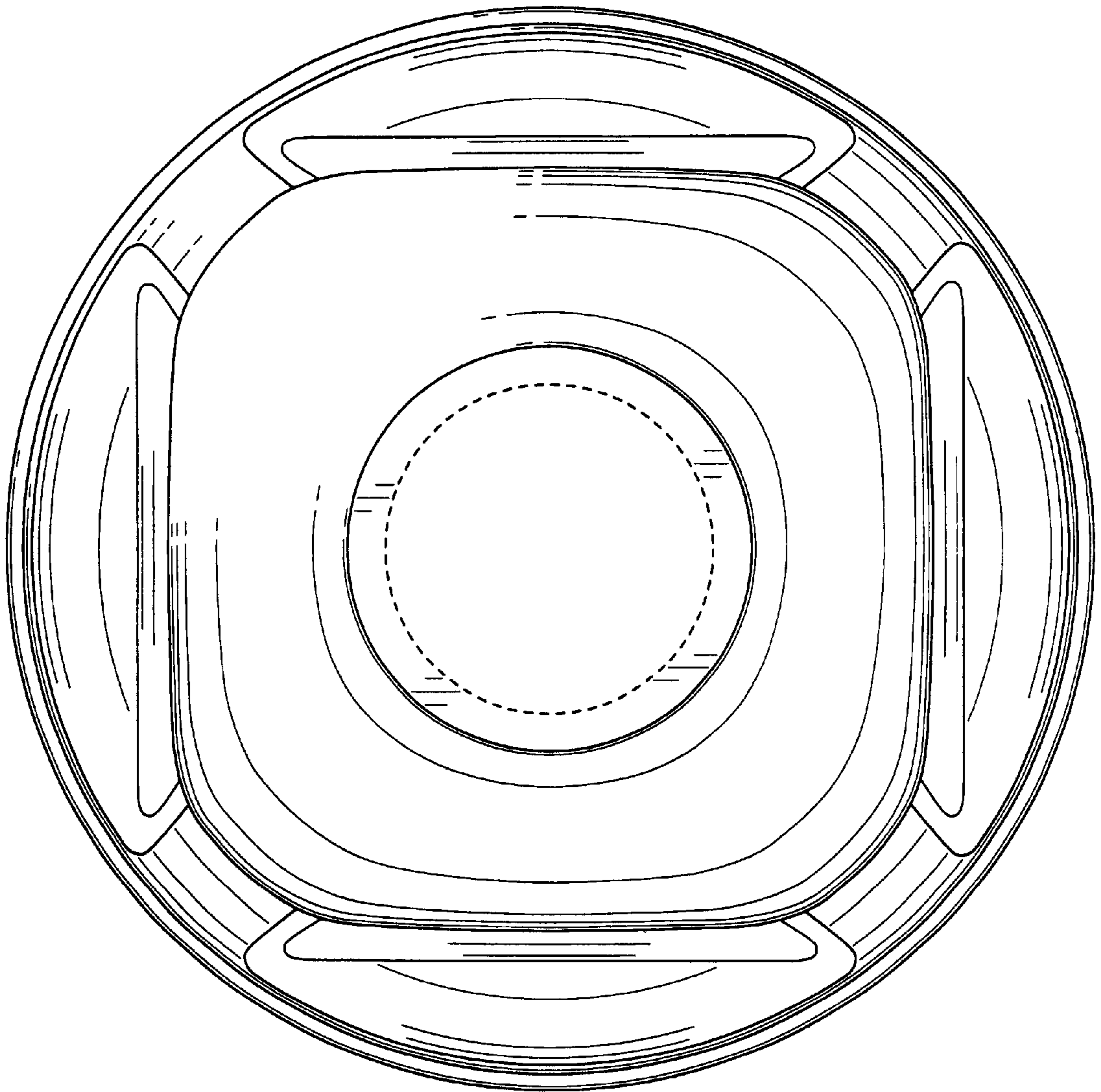


FIG. 3

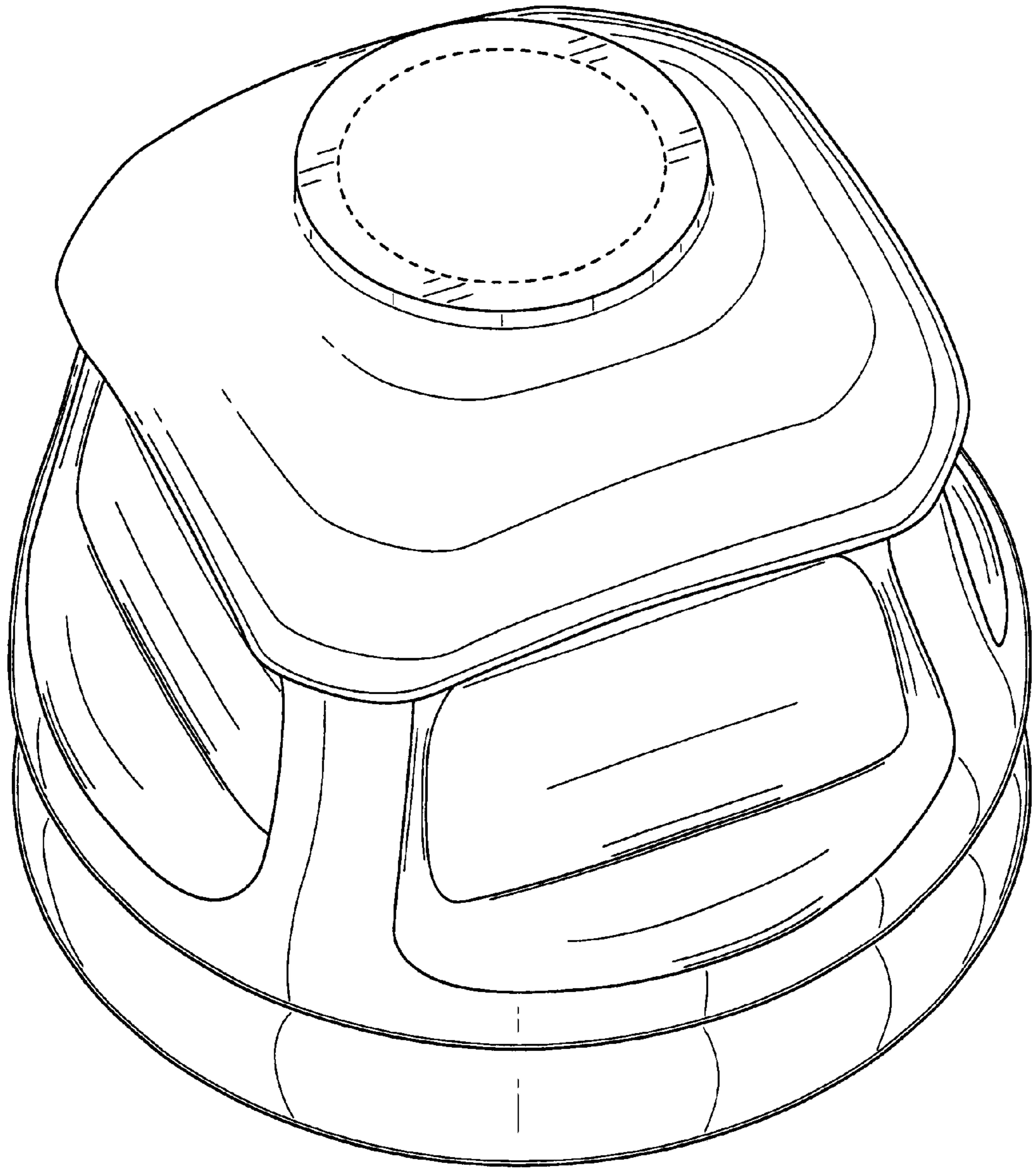


FIG. 4

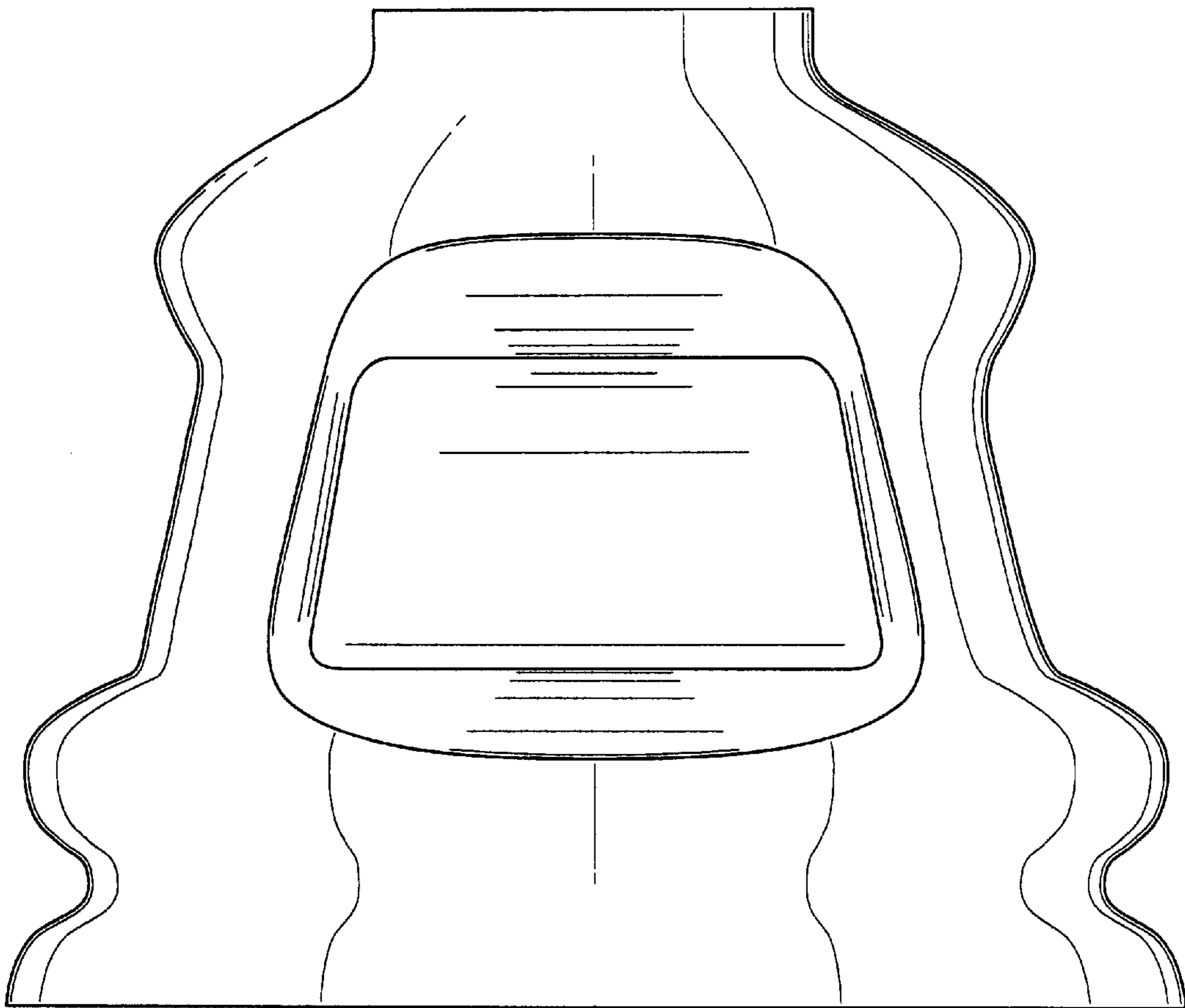


FIG. 5

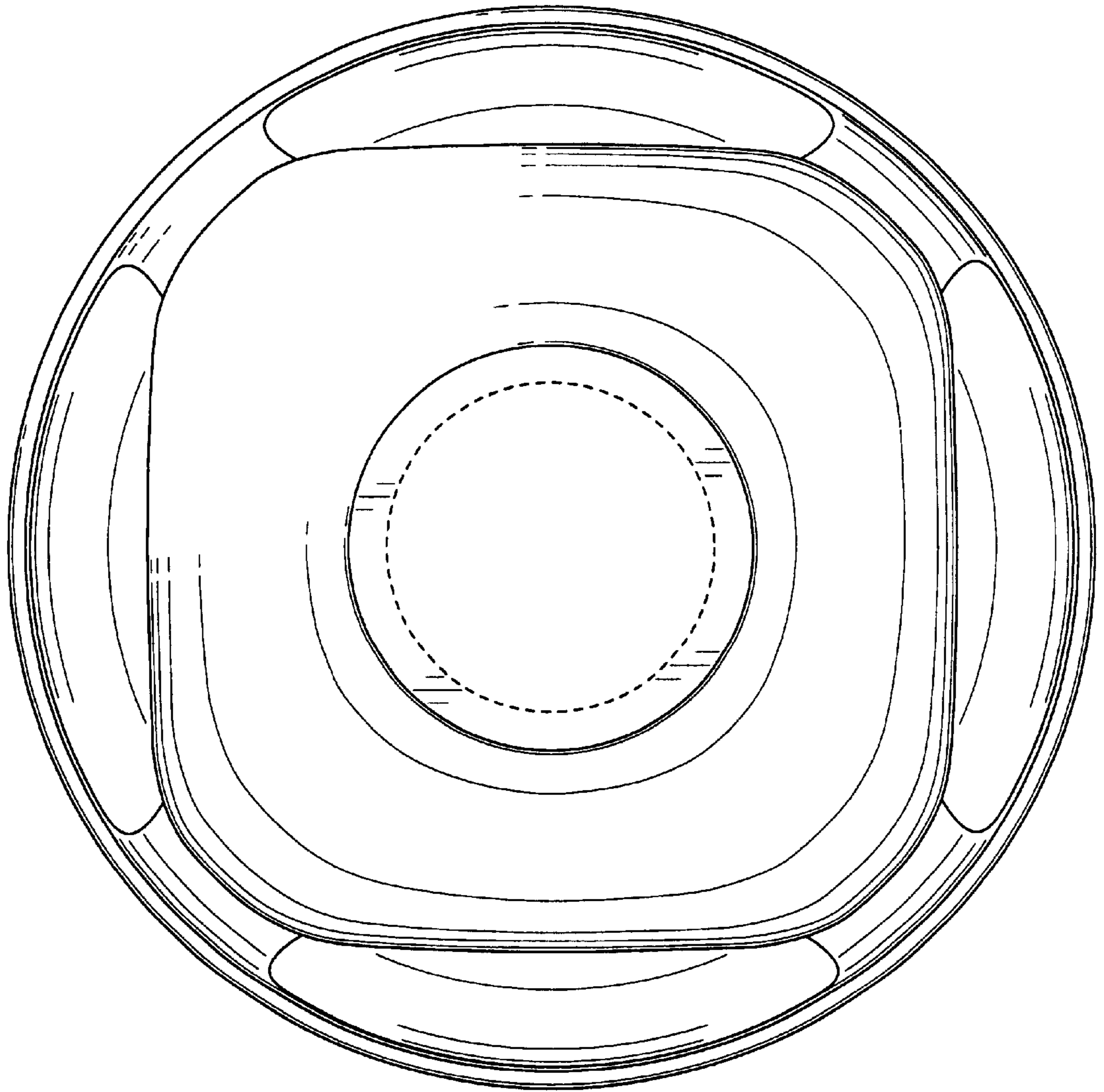


FIG. 6