



US00D487226S

(12) **United States Design Patent**
Chan

(10) **Patent No.:** **US D487,226 S**

(45) **Date of Patent:** **** Mar. 2, 2004**

(54) **CLIP DISPENSER**

(75) Inventor: **Sik-Leung Chan, Tsuen Wan (CN)**

(73) Assignee: **C. C. & L Company Limited, Tsuen Wan (CN)**

(**) Term: **14 Years**

(21) Appl. No.: **29/176,151**

(22) Filed: **Feb. 19, 2003**

(30) **Foreign Application Priority Data**

Oct. 11, 2002 (HK) 0211615

(51) **LOC (7) Cl.** **09-01**

(52) **U.S. Cl.** **D9/338; D19/75**

(58) **Field of Search** D9/337, 338, 339,
D9/516, 414, 418, 424, 430, 431, 432,
499; D19/75, 76, 78; 206/38, 338, 349,
540, 822; 220/4.04, 810; 222/173; 221/72,
74, 208, 312

(56) **References Cited**

U.S. PATENT DOCUMENTS

D117,828 S * 11/1939 Bowers D10/3

D156,665 S * 12/1949 Rodbell D19/76
D327,914 S * 7/1992 Tsay D19/75
D329,464 S * 9/1992 Hu D19/75
D432,170 S * 10/2000 Chan D19/75

* cited by examiner

Primary Examiner—Philip S. Hyder

Assistant Examiner—Daniel Bui

(74) *Attorney, Agent, or Firm*—Alix, Yale & Ristas, LLP

(57) **CLAIM**

The ornamental design for a clip dispenser, as shown and described.

DESCRIPTION

FIG. 1 is a front elevational view of a clip dispenser showing my new design;

FIG. 2 is a right side elevational view thereof;

FIG. 3 is a bottom plan view thereof;

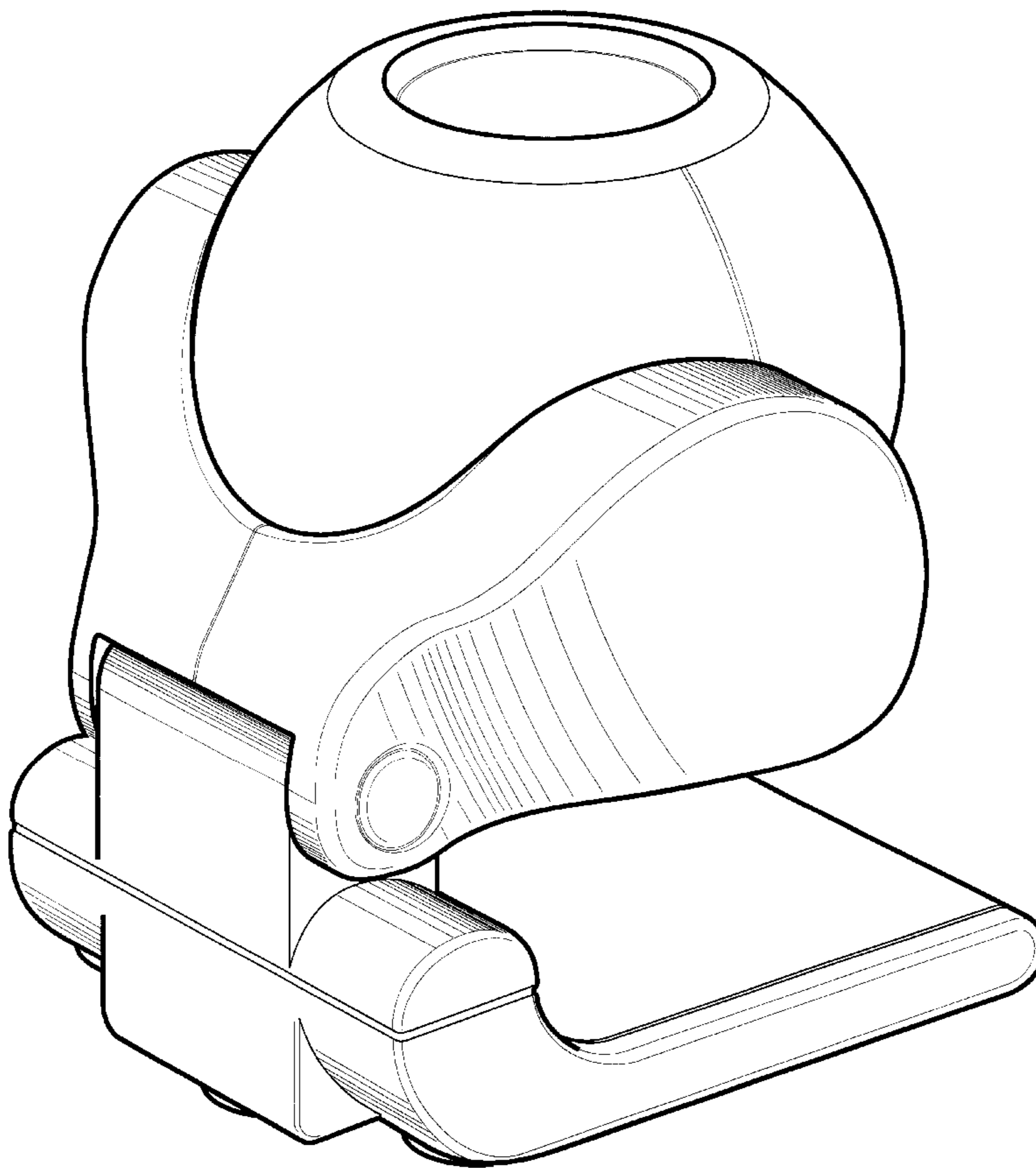
FIG. 4 is a top plan view thereof;

FIG. 5 is a rear elevational view thereof;

FIG. 6 is a left side elevational view thereof; and,

FIG. 7 is a perspective view thereof.

1 Claim, 7 Drawing Sheets



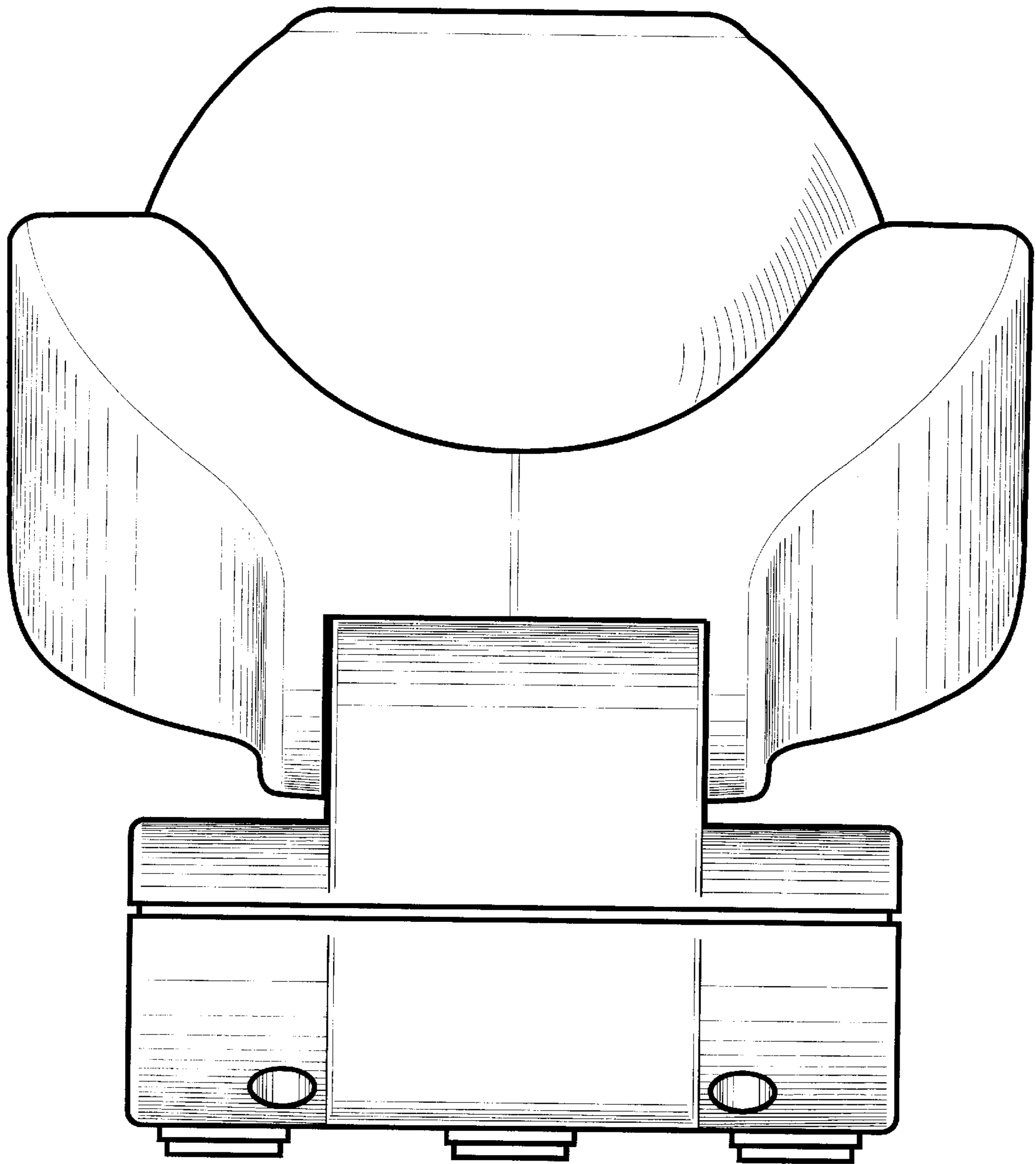


Fig. 1

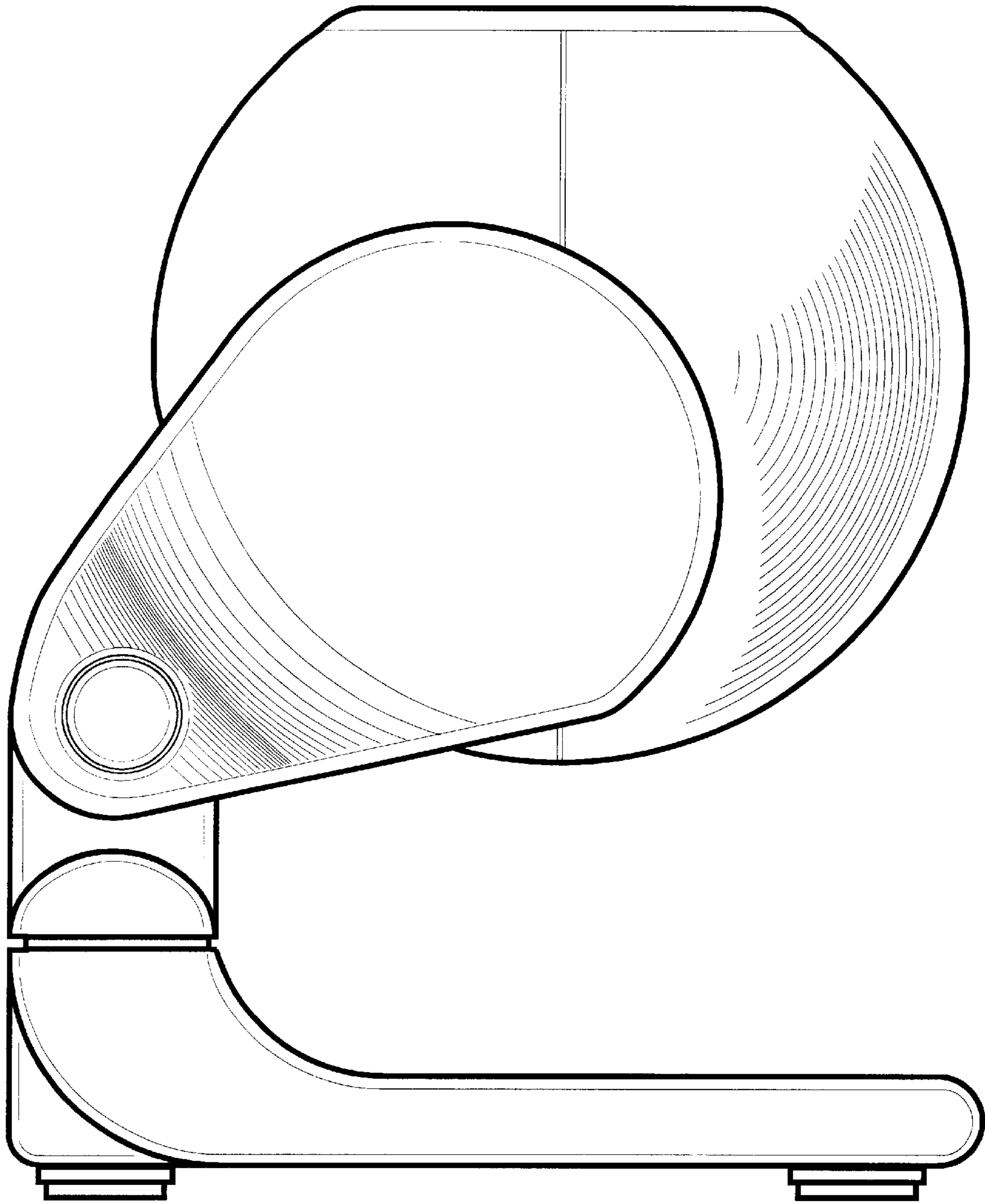


Fig.2

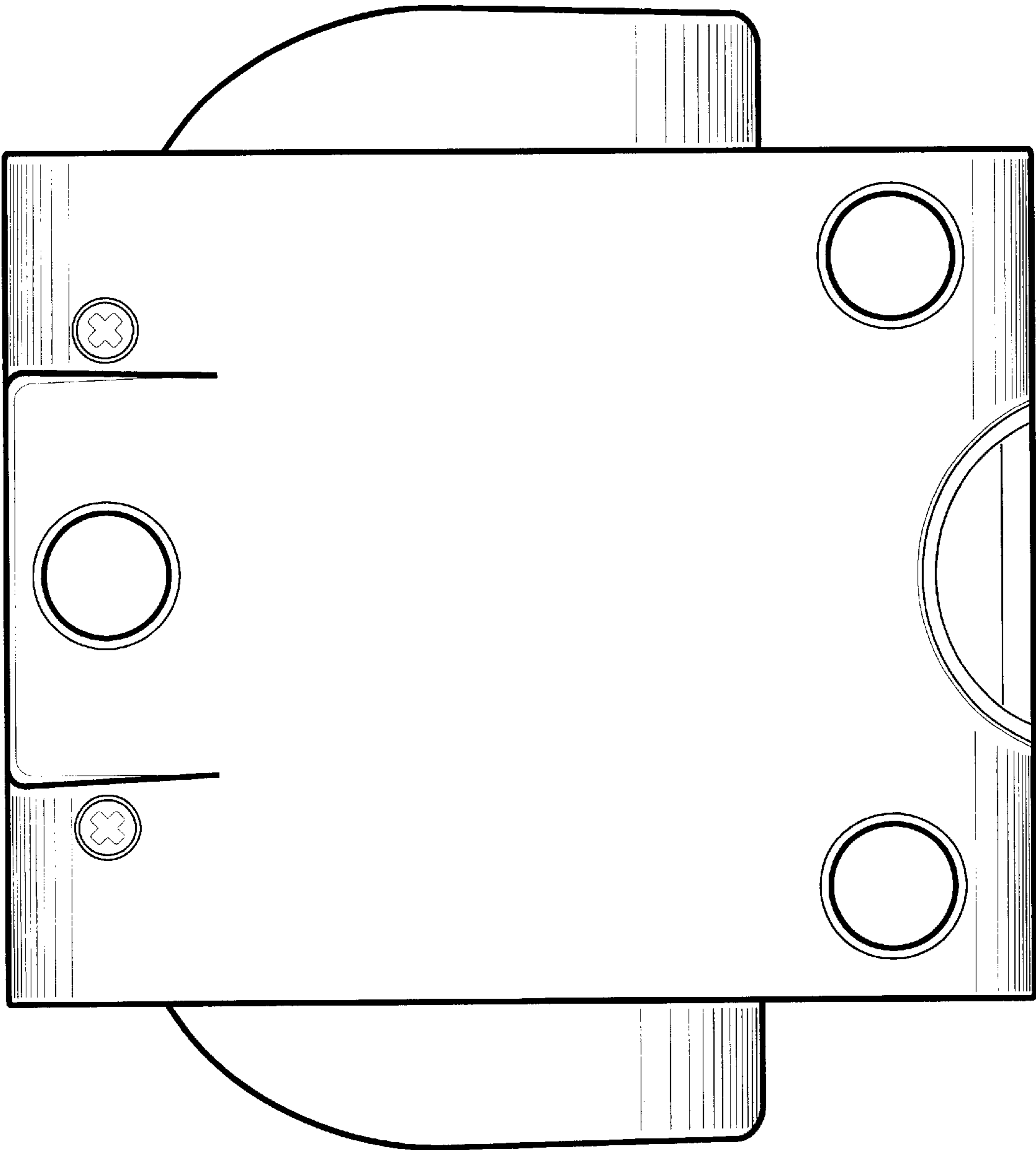


Fig. 3

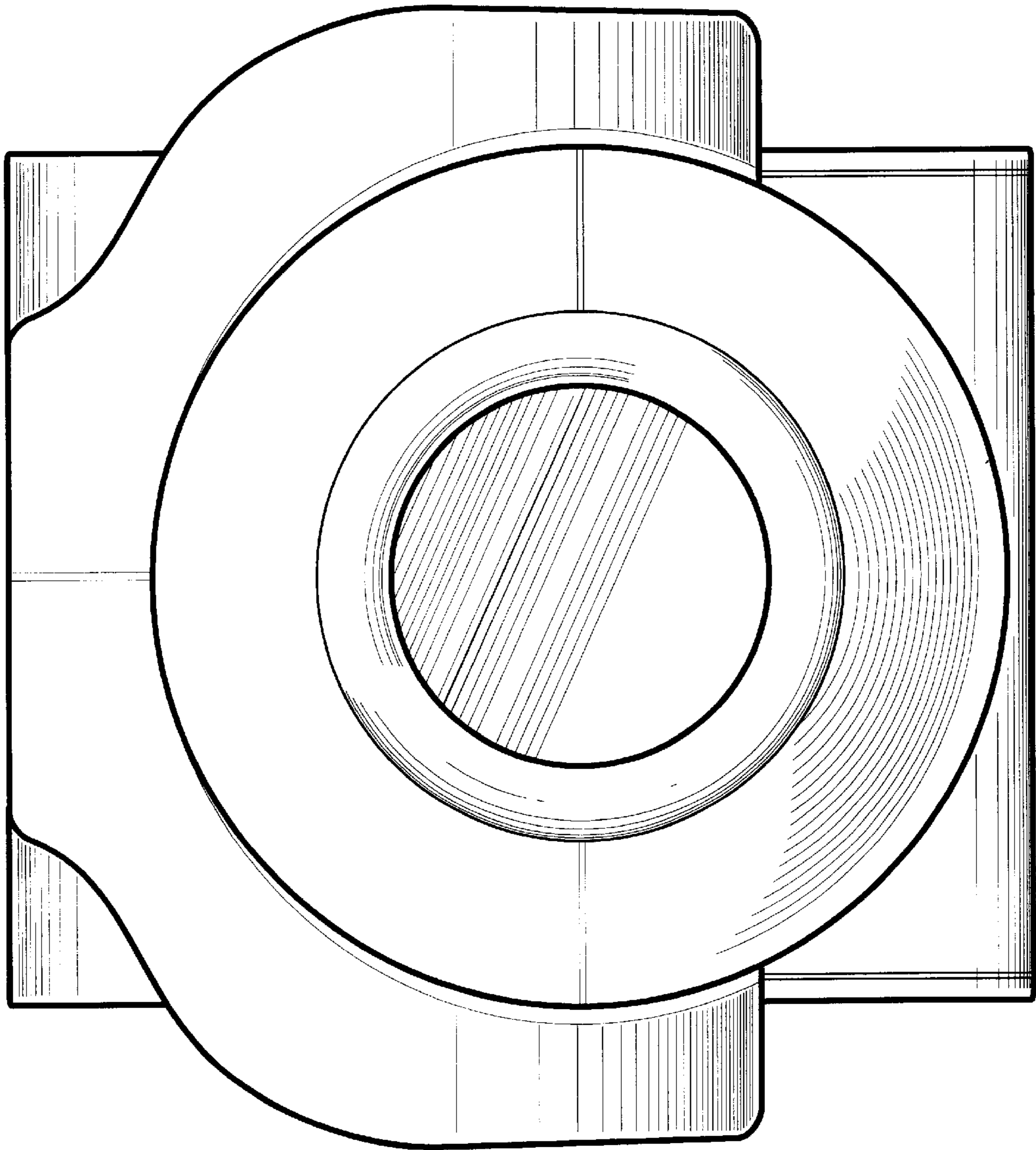


Fig.4

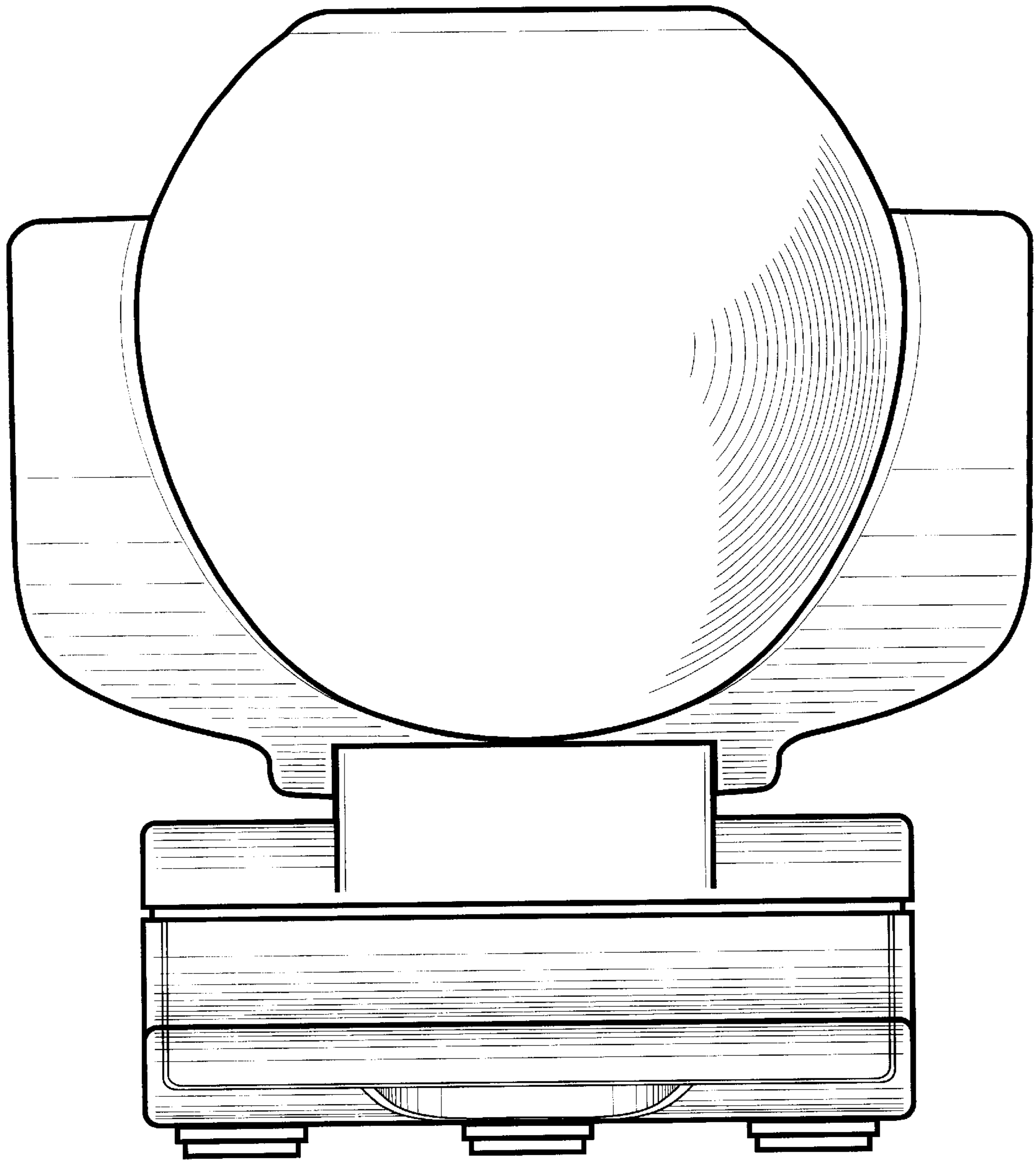


Fig. 5

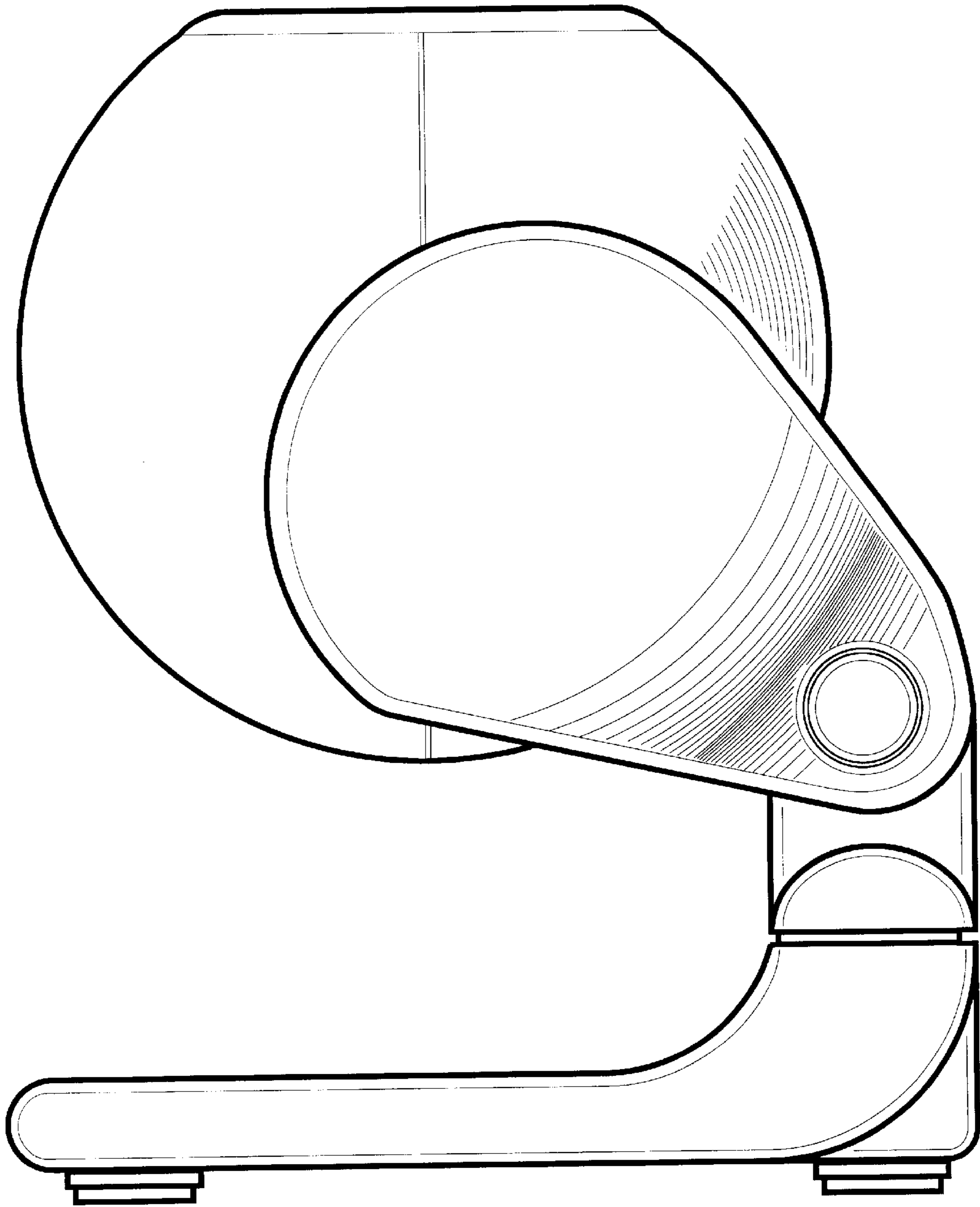


Fig. 6

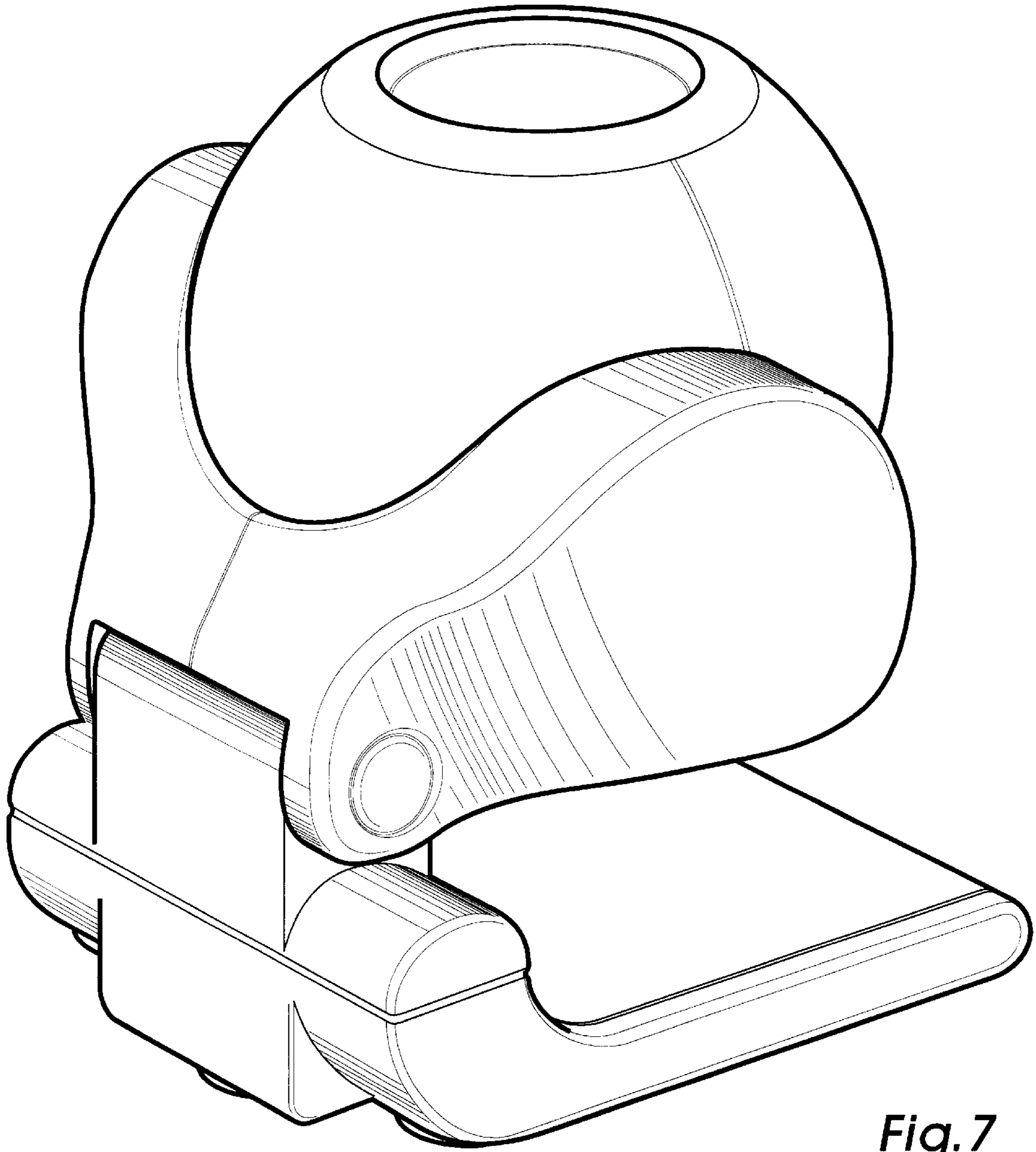


Fig. 7