



US00D487224S

(12) **United States Design Patent**
Coonan

(10) **Patent No.:** **US D487,224 S**

(45) **Date of Patent:** **** Mar. 2, 2004**

(54) **PACKAGING FOR PRE-MOISTENED
CONVENIENT FIELD TOWELS**

FOREIGN PATENT DOCUMENTS

(76) Inventor: **Jack Coonan**, 429 Banfil St., St. Paul,
MN (US) 55102

JP 11152165 6/1999

(**) Term: **14 Years**

* cited by examiner

Primary Examiner—Paula A. Mortimer
(74) *Attorney, Agent, or Firm*—Larkin Hoffman Daly &
Lindgren Ltd.; Michael A. Essien

(21) Appl. No.: **29/179,576**

(22) Filed: **Apr. 10, 2003**

(57) **CLAIM**

(51) **LOC (7) Cl.** **09-05**

The ornamental design for a packaging for pre-moistened
convenient field towels, as shown and described.

(52) **U.S. Cl.** **D9/305**

DESCRIPTION

(58) **Field of Search** D9/302, 305, 303,
D9/306, 337, 558; 383/79, 88, 106, 107,
109, 113, 119, 200; 206/205, 449, 812,
255.1; 220/255.1

FIG. 1 is a perspective view of the packaging for pre-
moistened convenient field towels;
FIG. 2 is a left side elevation view of the packaging for
pre-moistened convenient field towels;
FIG. 3 is a right side elevation view of the packaging for
pre-moistened convenient field towels;
FIG. 4 is a rear elevation view of the packaging for pre-
moistened convenient field towels;
FIG. 5 is a top view of the packaging for pre-moistened
convenient field towels;
FIG. 6 is a end elevation view of the packaging for pre-
moistened convenient field towels; and,
FIG. 7 is an opposite end elevation view of the packaging for
pre-moistened convenient field towels.

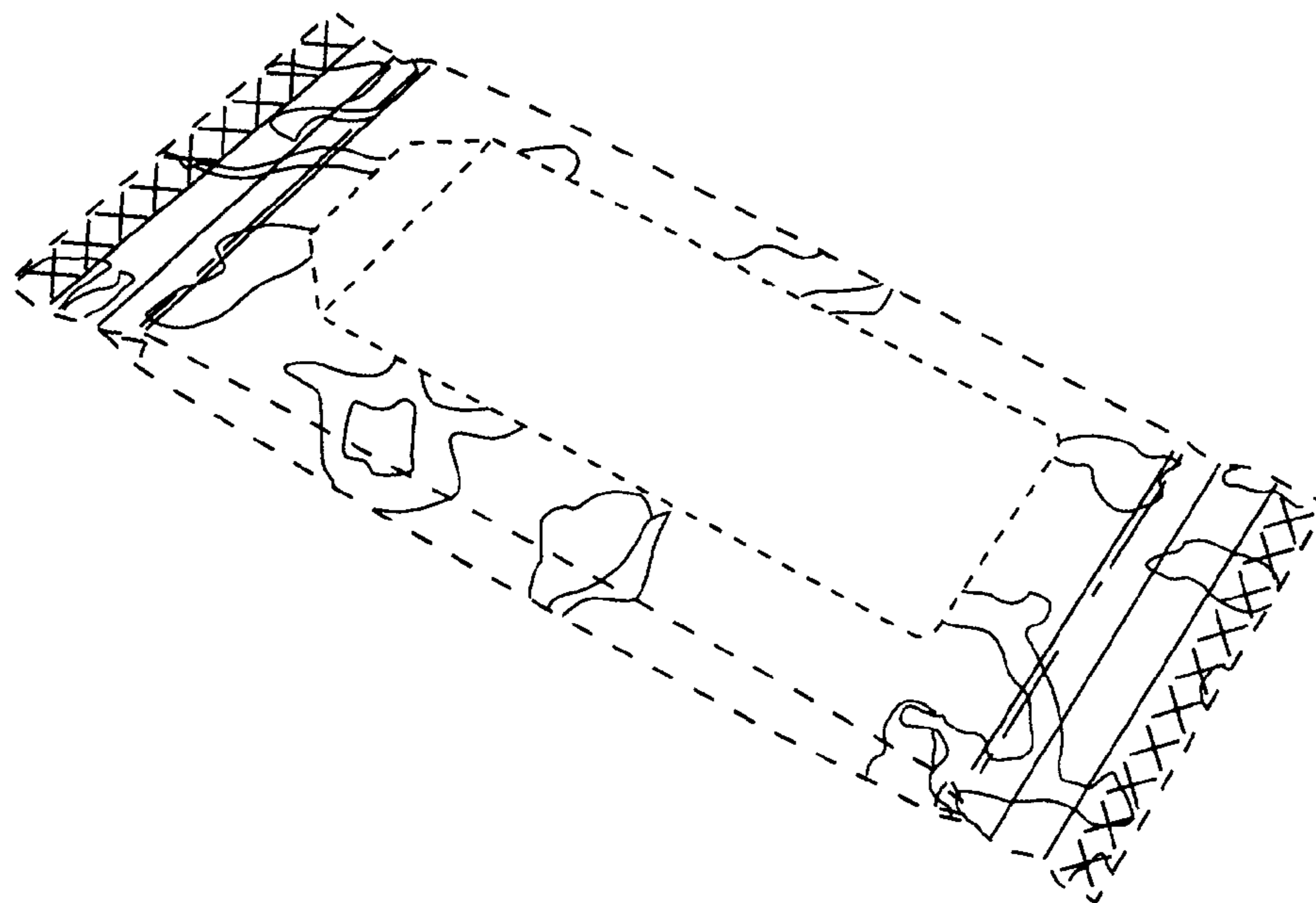
(56) **References Cited**

U.S. PATENT DOCUMENTS

3,291,374	A	*	12/1966	Lepisto et al.	383/200
4,739,879	A	*	4/1988	Nakamura	206/205
4,840,270	A	*	6/1989	Caputo et al.	206/205
4,863,064	A		9/1989	Dailey, III	221/48
5,145,091	A		9/1992	Meyers	221/45
5,582,294	A		12/1996	Yamada	206/494
D394,605	S	*	5/1998	Skiba et al.	D9/305
5,938,013	A		8/1999	Palumbo et al.	206/210
D414,407	S	*	9/1999	Simburger et al.	D9/305
6,065,591	A		5/2000	Dill et al.	206/233
6,296,144	B1		10/2001	Tanaka et al.	221/45
6,309,105	B1		10/2001	Palumbo	383/211
6,419,114	B1		7/2002	Lenz et al.	221/47

The broken lines are for illustrative purposes only and forms
no part of the claimed design.

1 Claim, 3 Drawing Sheets



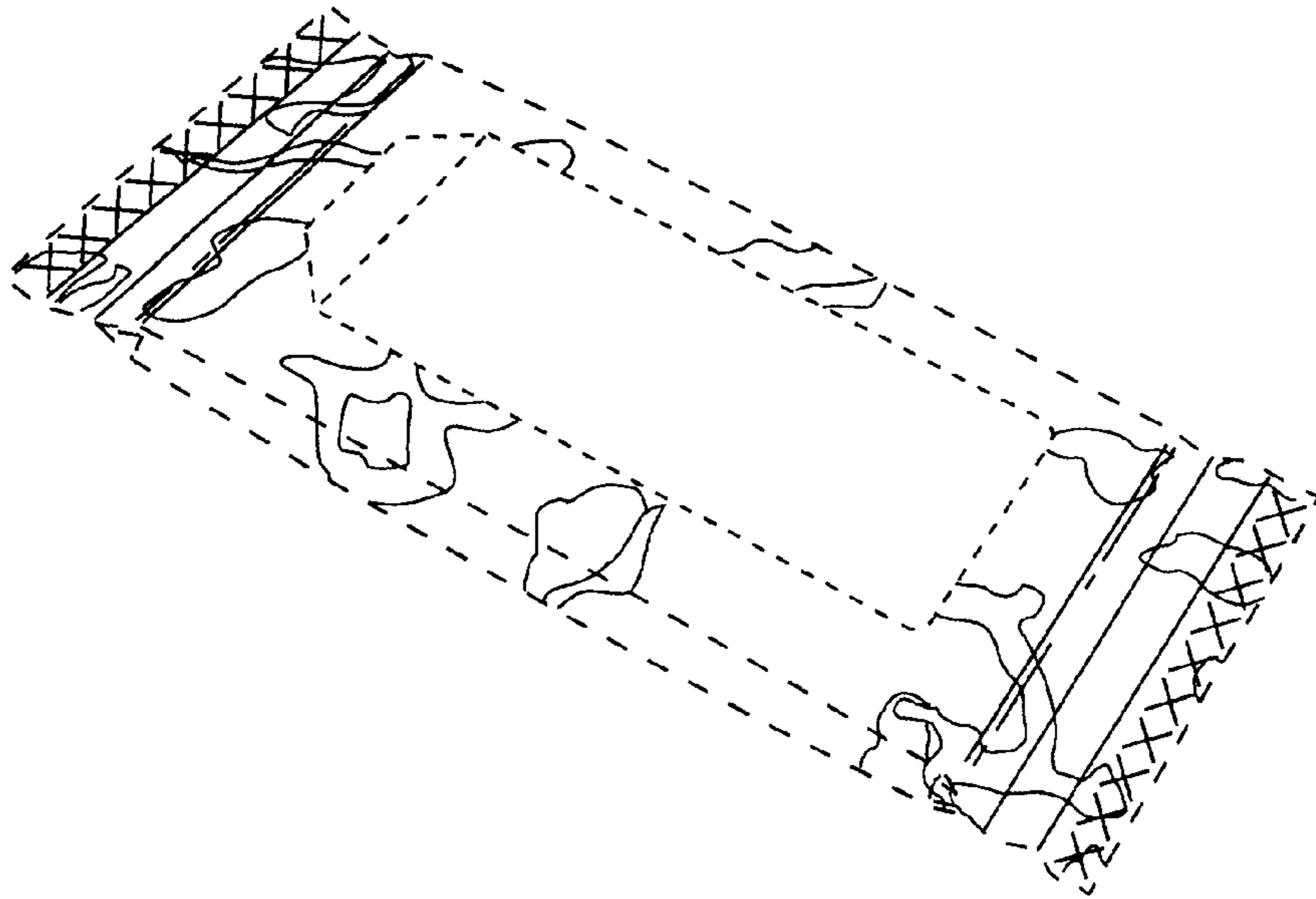


Fig. 1

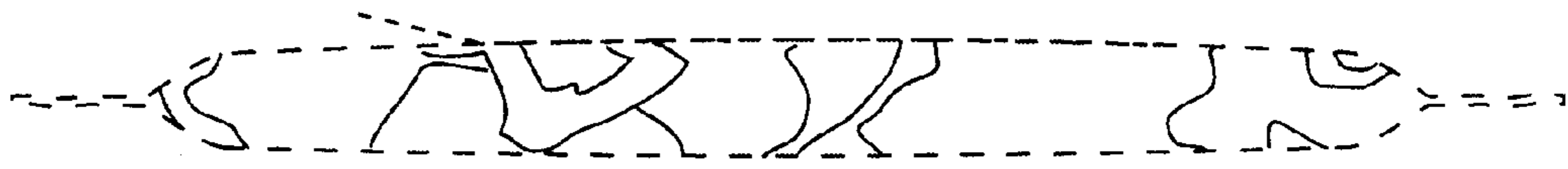


Fig. 2

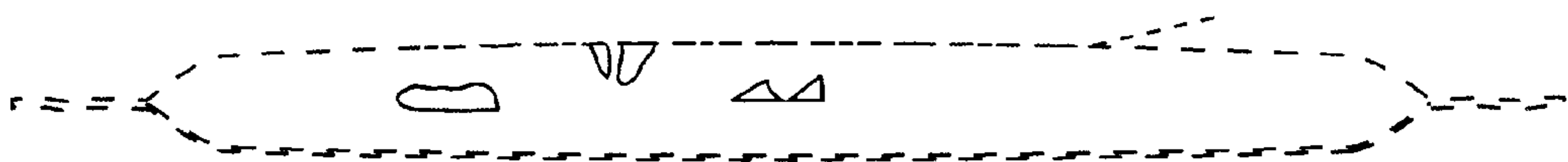


Fig. 3

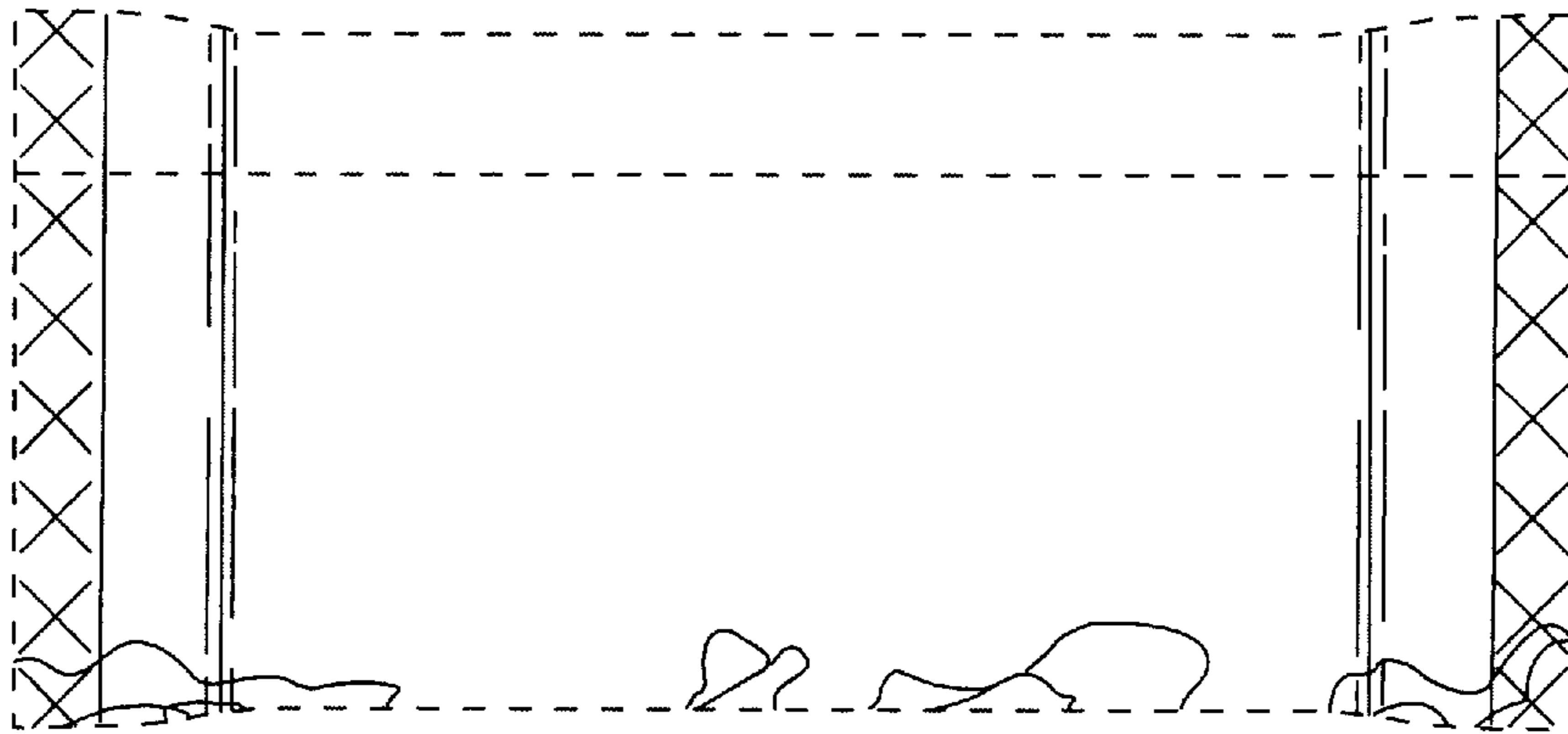


Fig. 4

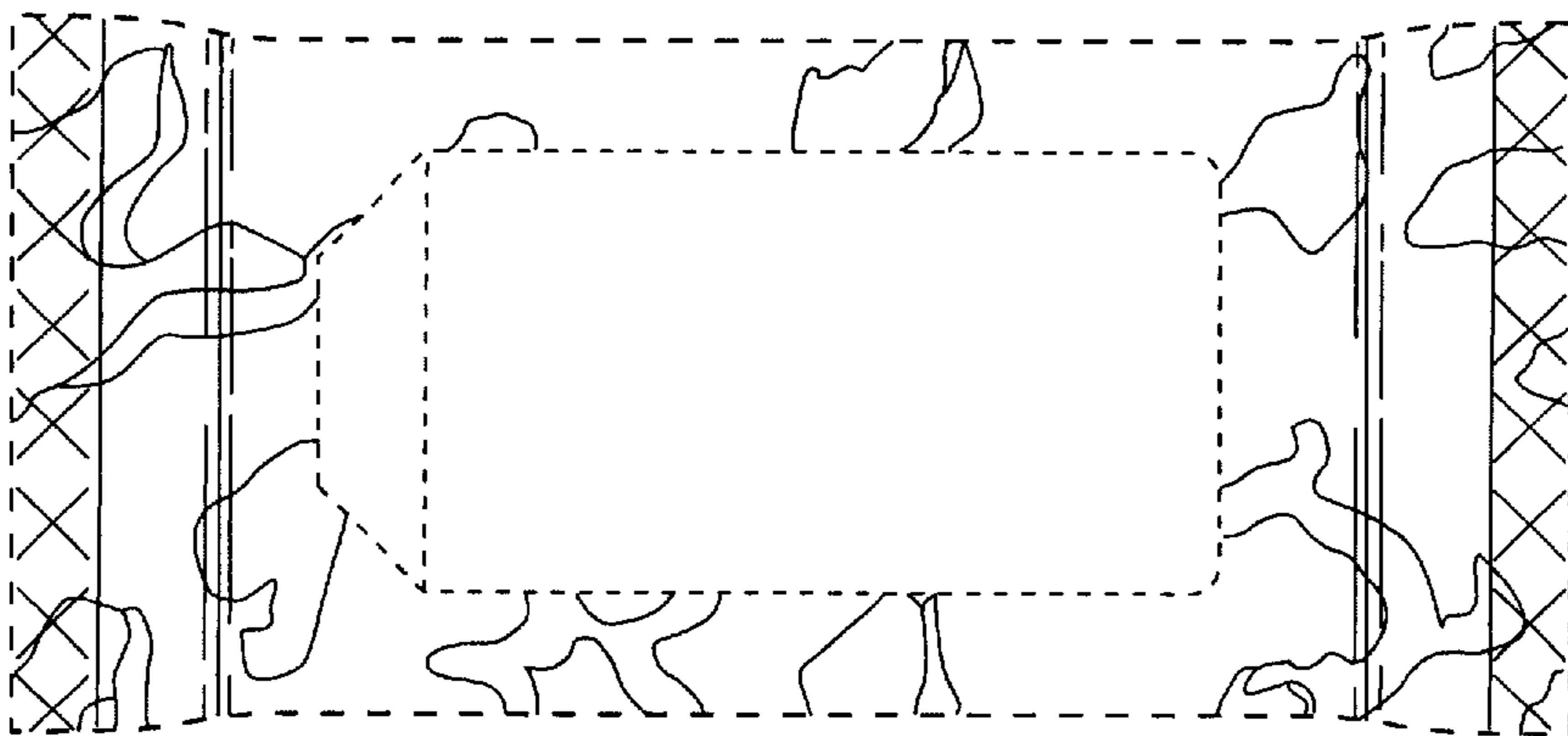


Fig. 5

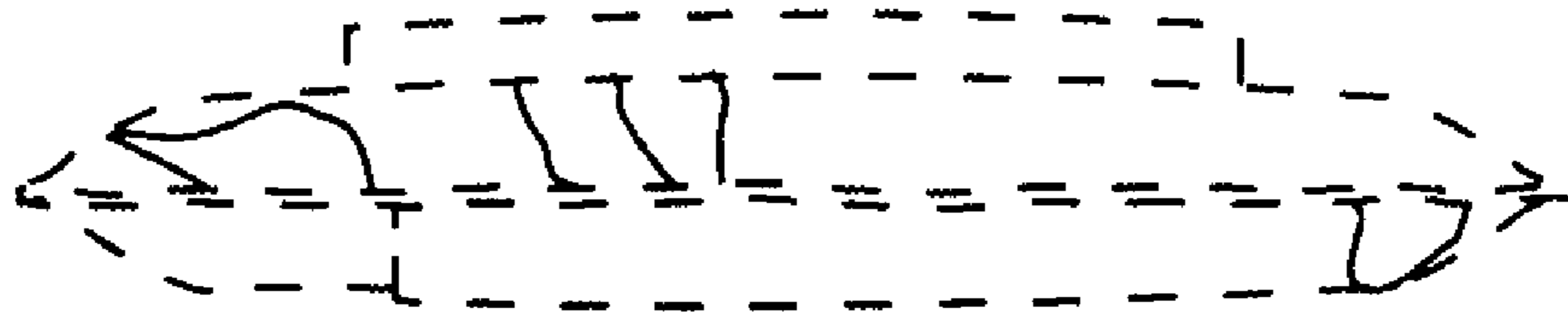


Fig. 6

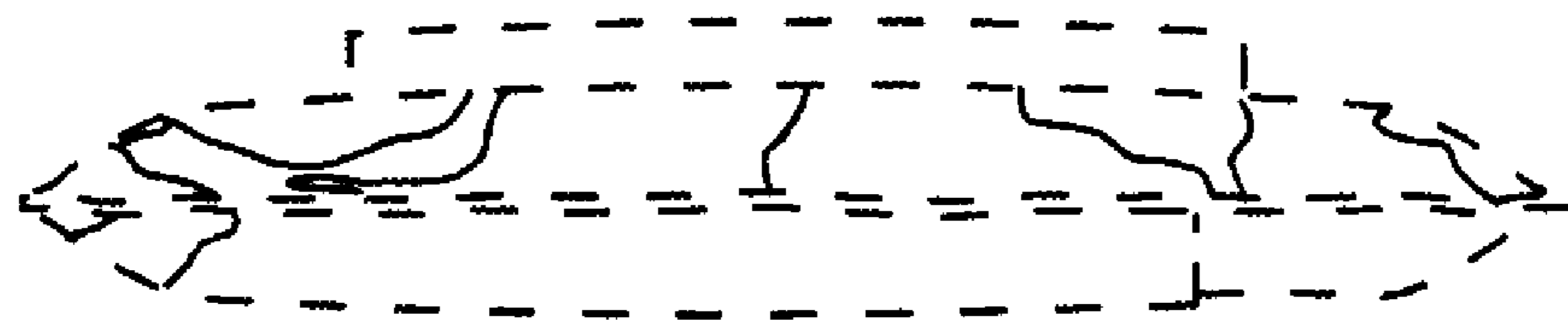


Fig. 7