



US00D487222S

(12) **United States Design Patent**
Balaban

(10) **Patent No.:** **US D487,222 S**

(45) **Date of Patent:** **** Mar. 2, 2004**

(54) **FURNACE IGNITER BRACKET**

(76) Inventor: **Jacques Balaban**, 73 Meridene Crescent, London, Ontario (CA), N5X 2M2

(**) Term: **14 Years**

(21) Appl. No.: **29/181,290**

(22) Filed: **May 9, 2003**

(51) **LOC (7) Cl.** **08-05**

(52) **U.S. Cl.** **D8/354**

(58) **Field of Search** D8/349, 354, 355, D8/366, 371, 373, 380, 382, 394; 248/27.1, 200, 201, 220.21, 228.3, 300, 674; 431/2, 6, 258, 263, 264, 266; D23/386

(56) **References Cited**

U.S. PATENT DOCUMENTS

4,298,336 A	*	11/1981	Riehl	431/264
D309,560 S	*	7/1990	Warlick	D8/355
D333,085 S	*	2/1993	Thomsen	D8/373
D409,079 S	*	5/1999	Sobczynski	D8/345
D442,469 S	*	5/2001	Roozen et al.	D8/354
D446,107 S	*	8/2001	Carter	D8/346

* cited by examiner

Primary Examiner—Doris V. Coles

Assistant Examiner—Elizabeth A. Albert

(74) *Attorney, Agent, or Firm*—Anissimoff & Assoc.; Hans Koenig

(57) **CLAIM**

The ornamental design for a furnace igniter bracket, as shown.

DESCRIPTION

FIG. 1 is a perspective view of a bracket according to the present invention;

FIG. 2 is a top view of a bracket according to the present invention;

FIG. 3 is a bottom view of a bracket according to the present invention;

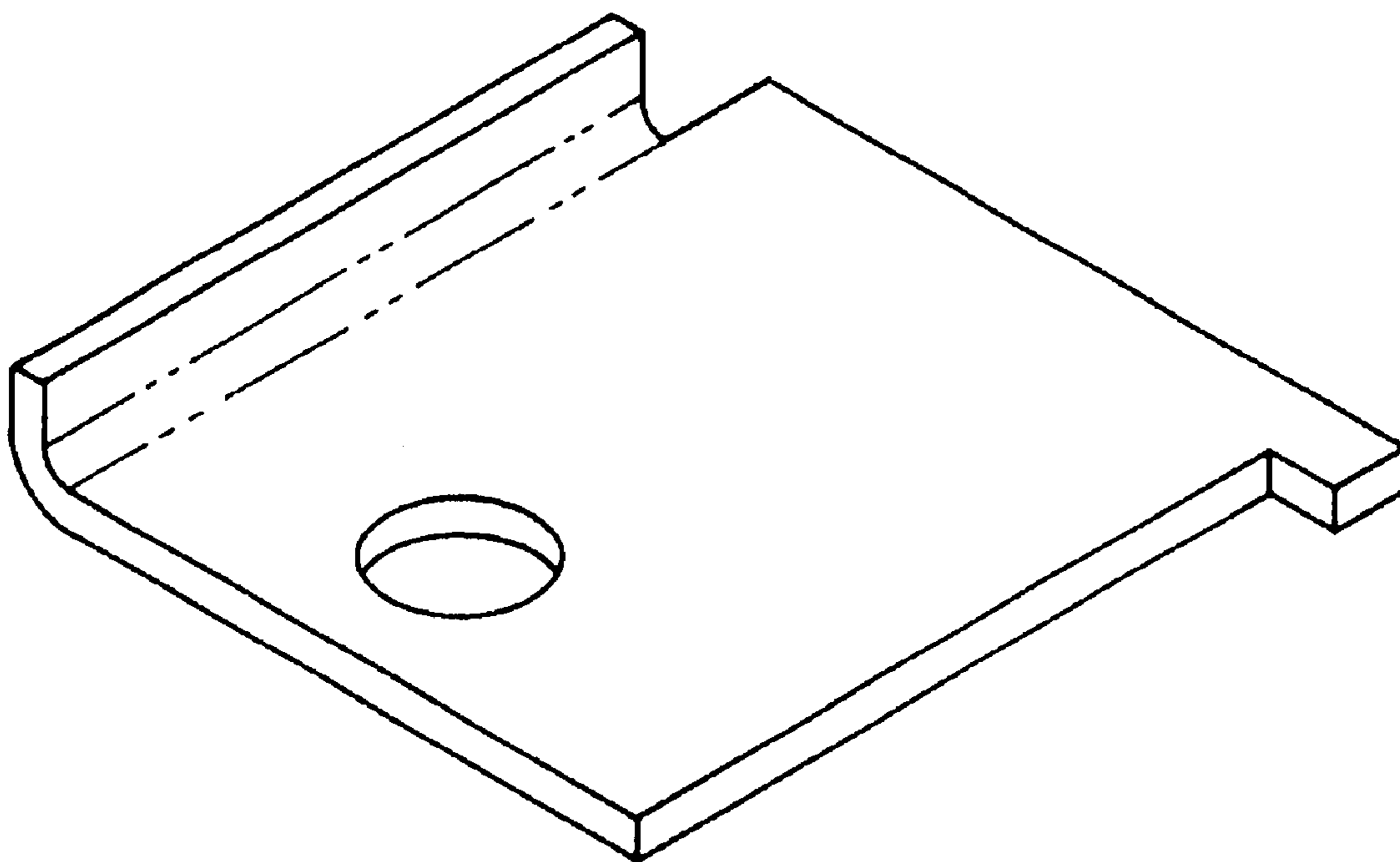
FIG. 4 is a front view of a bracket according to the present invention;

FIG. 5 is an inverted rear view of a bracket according to the present invention;

FIG. 6 is a right side view of a bracket according to the present invention; and,

FIG. 7 is a left side view of a bracket according to the present invention.

1 Claim, 2 Drawing Sheets



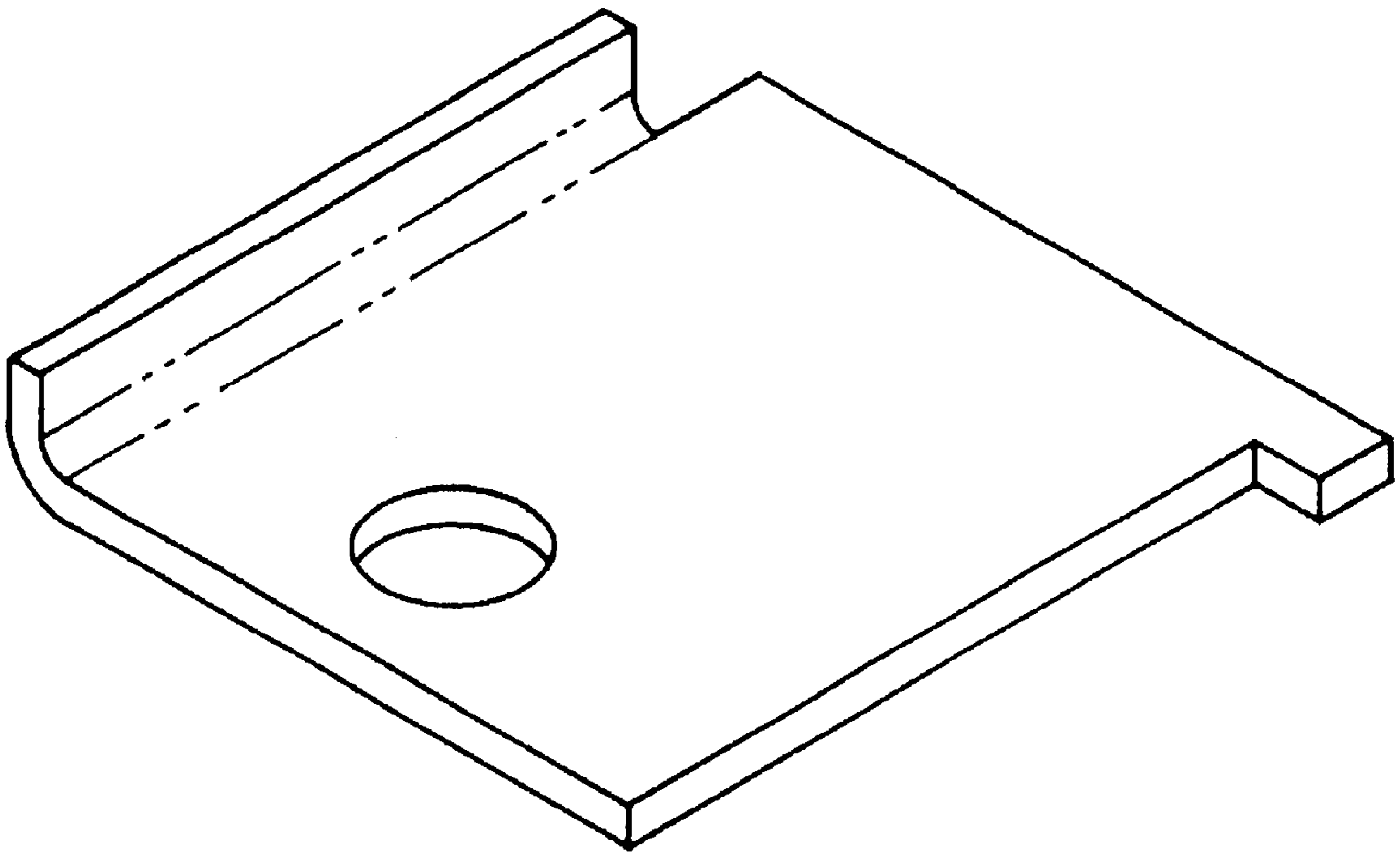


FIG. 1

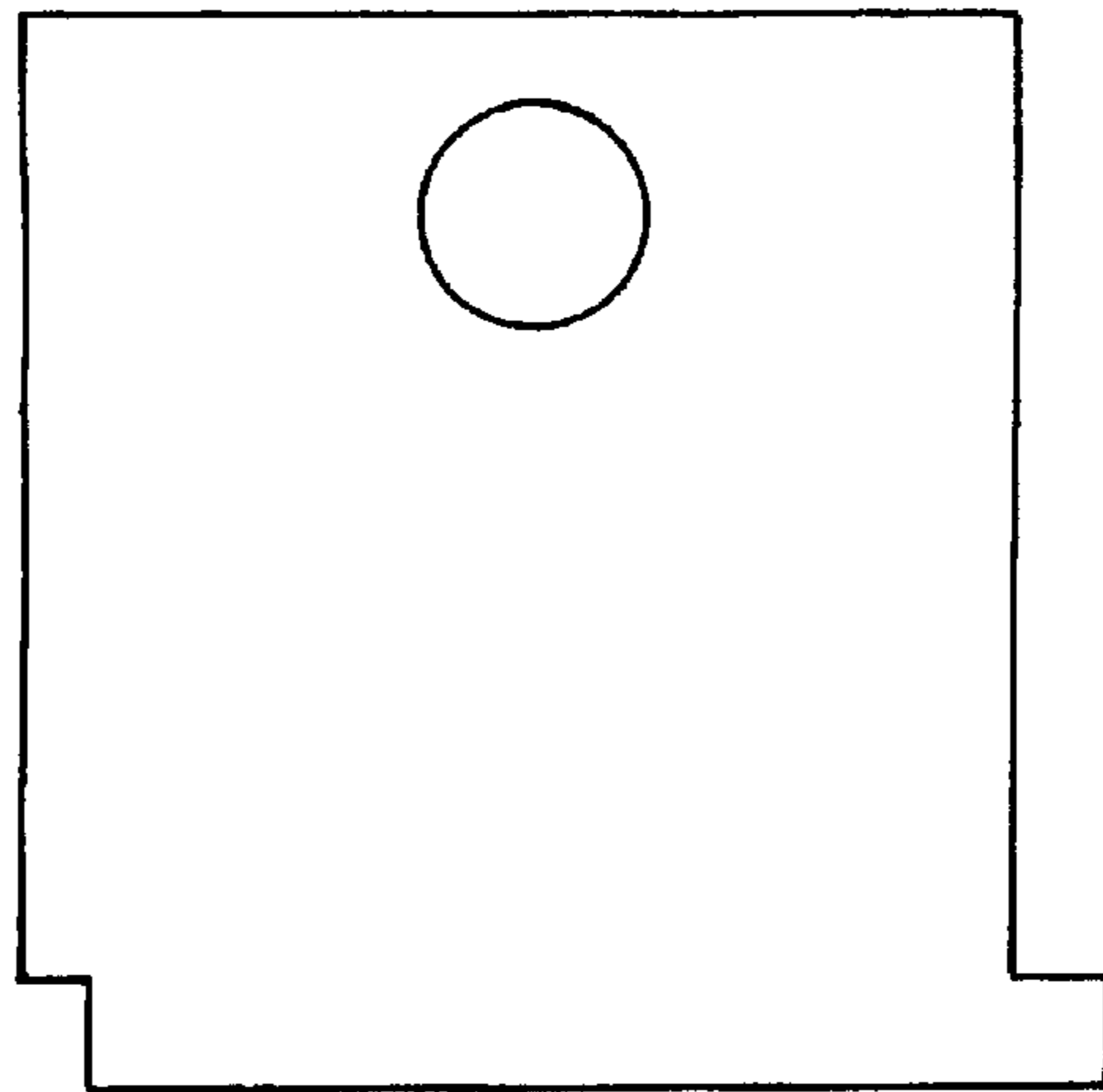


FIG. 3

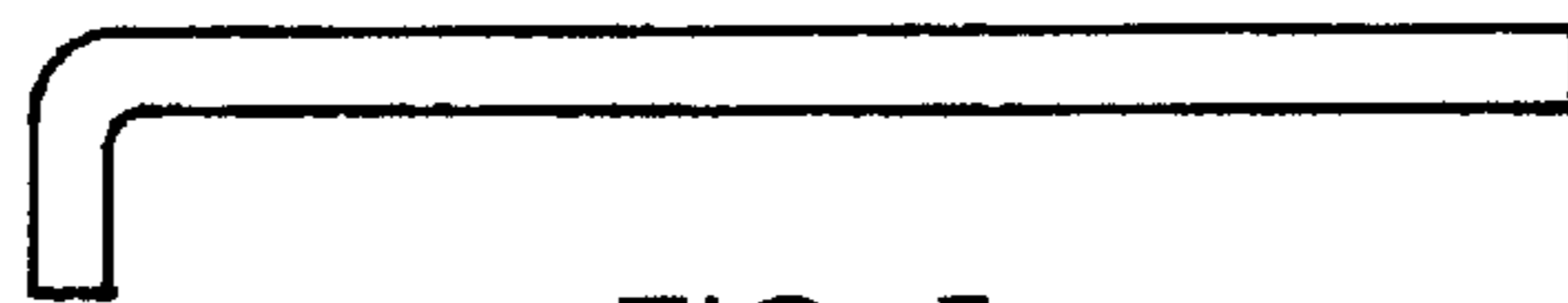


FIG. 5

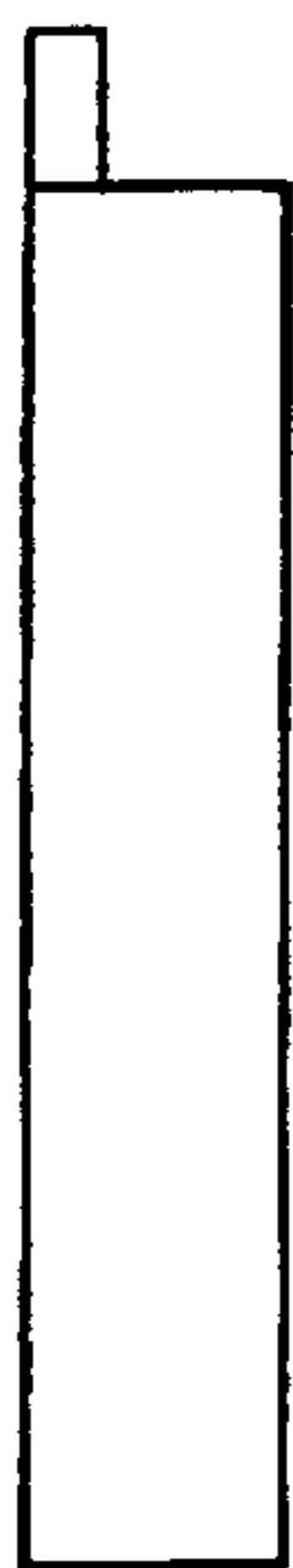


FIG. 7

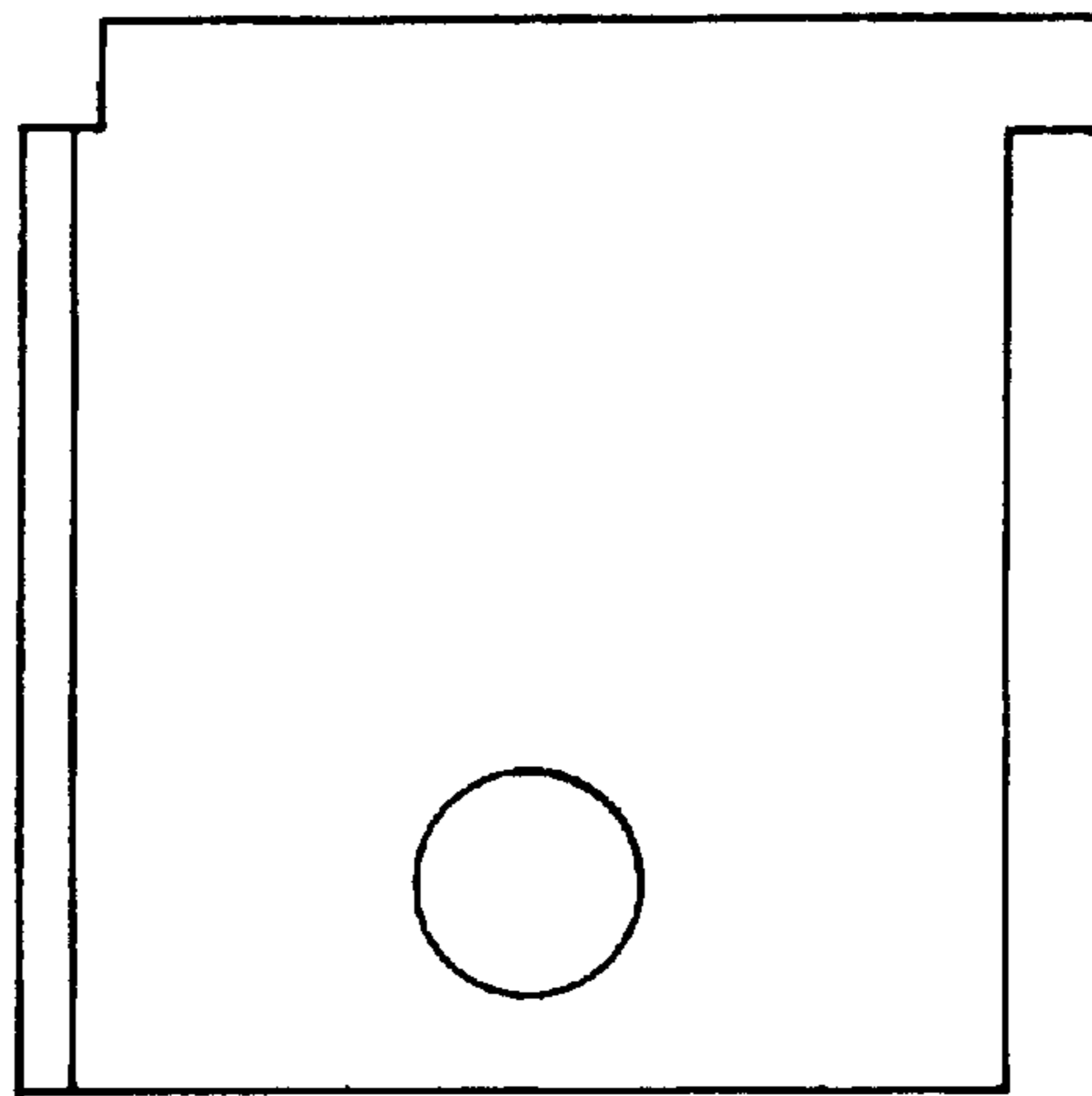


FIG. 2

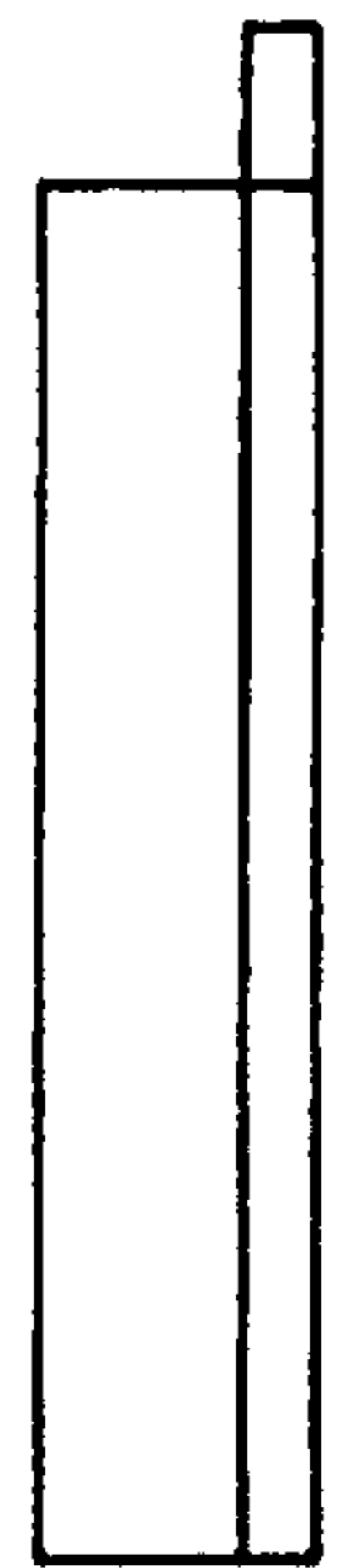


FIG. 6



FIG. 4