



US00D487221S

(12) **United States Design Patent**  
**Vito**

(10) **Patent No.:** **US D487,221 S**

(45) **Date of Patent:** **\*\* Mar. 2, 2004**

(54) **HASP TYPE CLOSURE ASSEMBLY**

(76) **Inventor:** **Robert A. Vito**, 1434 Sugartown Rd.,  
Berwyn, PA (US) 19312

(\*\*) **Term:** **14 Years**

(21) **Appl. No.:** **29/166,049**

(22) **Filed:** **Aug. 21, 2002**

(51) **LOC (7) Cl.** ..... **08-07**

(52) **U.S. Cl.** ..... **D8/343**

(58) **Field of Search** ..... D8/343, 344, 345,  
D8/330, 331; 70/2, 3, 7, 4, 14, 34, 51,  
57, 52; 292/281-287, 221, 92, 340, 341.11,  
341.12, 341.13, DIG. 37, DIG. 38

(56) **References Cited**

**U.S. PATENT DOCUMENTS**

1,764,367	A	6/1930	Szymanski	
2,660,872	A	12/1953	Beach	
2,996,909	A *	8/1961	Raye	70/57
3,157,040	A	11/1964	Raye	
3,610,668	A *	10/1971	Tixier	292/341.12
3,834,195	A	9/1974	Winkhaus	
3,901,058	A	8/1975	Best	
3,995,459	A	12/1976	Weeks et al.	
4,026,132	A	5/1977	Best	
4,269,048	A	5/1981	McDorman	
D263,675	S *	4/1982	Vorves	D8/344
4,331,356	A *	5/1982	Noel	292/281
4,535,612	A	8/1985	Seremet	
4,566,296	A	1/1986	Kochakis	
4,843,845	A	7/1989	Poe	
4,852,920	A	8/1989	DeForrest, Sr.	
4,879,889	A *	11/1989	DeForrest, Sr.	292/281
D309,417	S *	7/1990	Yamada	D8/345
5,172,574	A	12/1992	Perfetto	
5,174,135	A	12/1992	Loughlin	

(List continued on next page.)

*Primary Examiner*—Prabhakar Deshmukh  
(74) *Attorney, Agent, or Firm*—Volpe and Koenig, P.C.

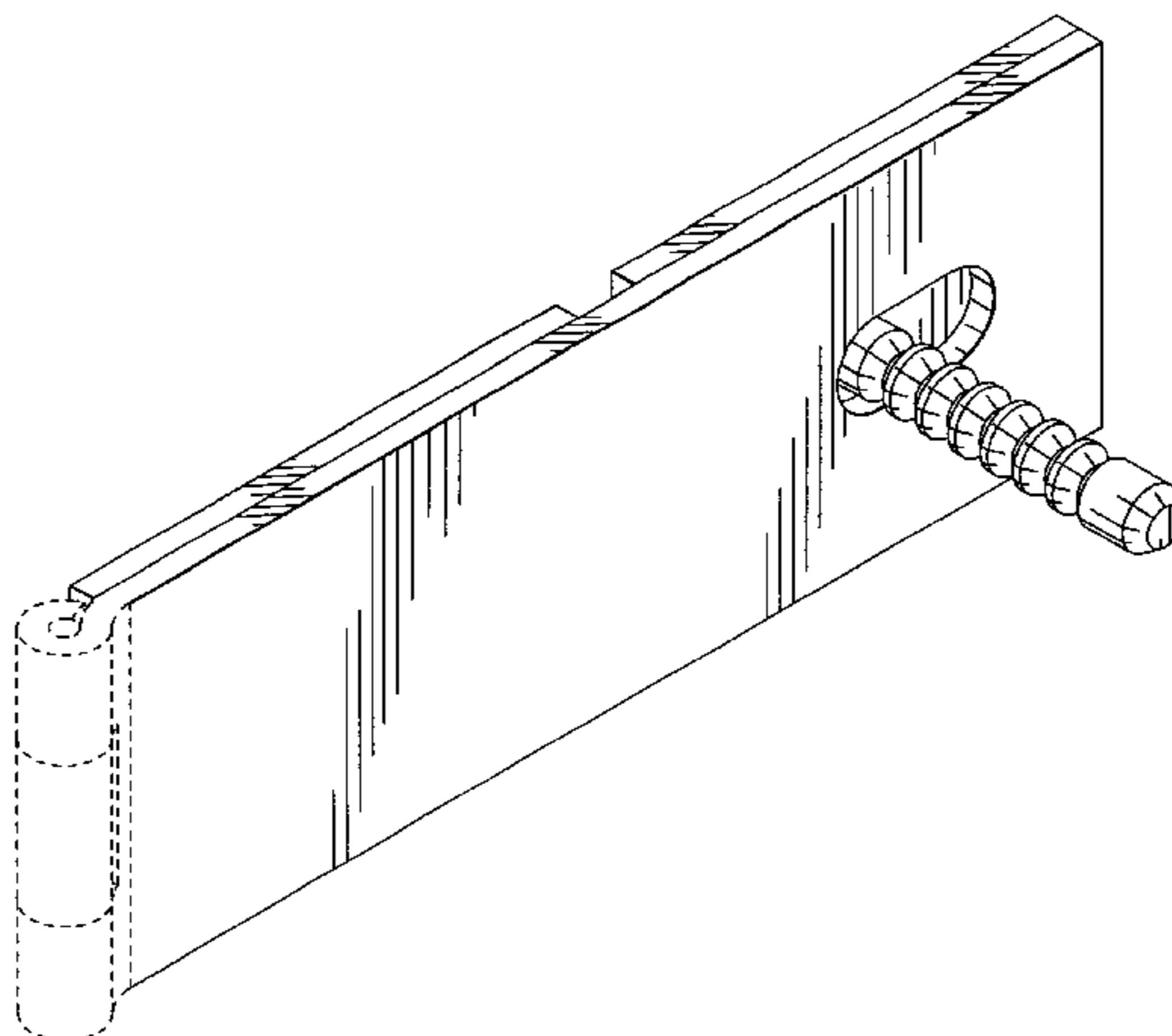
(57) **CLAIM**

The new ornamental design for a hasp type closure assembly, as shown and described.

**DESCRIPTION**

FIG. 1 is a perspective view of a hasp type closure assembly according to a first preferred embodiment of my new design; FIG. 2 is a second perspective view of the hasp type closure assembly of FIG. 1; FIG. 3 is a front elevational view of the hasp type closure assembly of FIG. 1; FIG. 4 is a top plan view of the hasp type closure assembly of FIG. 1; FIG. 5 is a bottom plan view of the hasp type closure assembly of FIG. 1; FIG. 6 is a left side elevational view of the hasp type closure assembly of FIG. 1; FIG. 7 is a right side elevational view of the hasp type closure assembly of FIG. 1; FIG. 8 is a rear elevational view of the hasp type closure assembly of FIG. 1; FIG. 9 is a perspective view of a hasp type closure assembly according to a second preferred embodiment of my new design; FIG. 10 is a second perspective view of the hasp type closure assembly of FIG. 9; FIG. 11 is a front elevational view of the hasp type closure assembly of FIG. 9; FIG. 12 is a top plan view of the hasp type closure assembly of FIG. 9; FIG. 13 is a bottom plan view of the hasp type closure assembly of FIG. 9; FIG. 14 is a left side elevational view of the hasp type closure assembly of FIG. 9; FIG. 15 is a right side elevational view of the hasp type closure assembly of FIG. 9; and, FIG. 16 is a rear elevational view of the hasp type closure assembly of FIG. 9. The dashed lines in FIGS. 1-16 represent environment and are for illustrative purposes only and do not constitute part of the claimed design. The phantom lines in FIGS. 8 and 16 define the border between claimed and unclaimed matter.

**1 Claim, 6 Drawing Sheets**



# US D487,221 S

Page 2

---

U.S. PATENT DOCUMENTS			
5,456,506 A	*	10/1995	Bartlett ..... 292/281
D411,731 S	*	6/1999	Finkelstein et al. .... D8/345
5,934,111 A	*	8/1999	Hernandez ..... 292/281
6,192,718 B1	*	2/2001	Bollinger, Jr. et al. .... 70/2
D439,826 S		4/2001	Oddy
6,338,261 B1	*	1/2002	Liu ..... 70/2

\* cited by examiner

FIG. 1

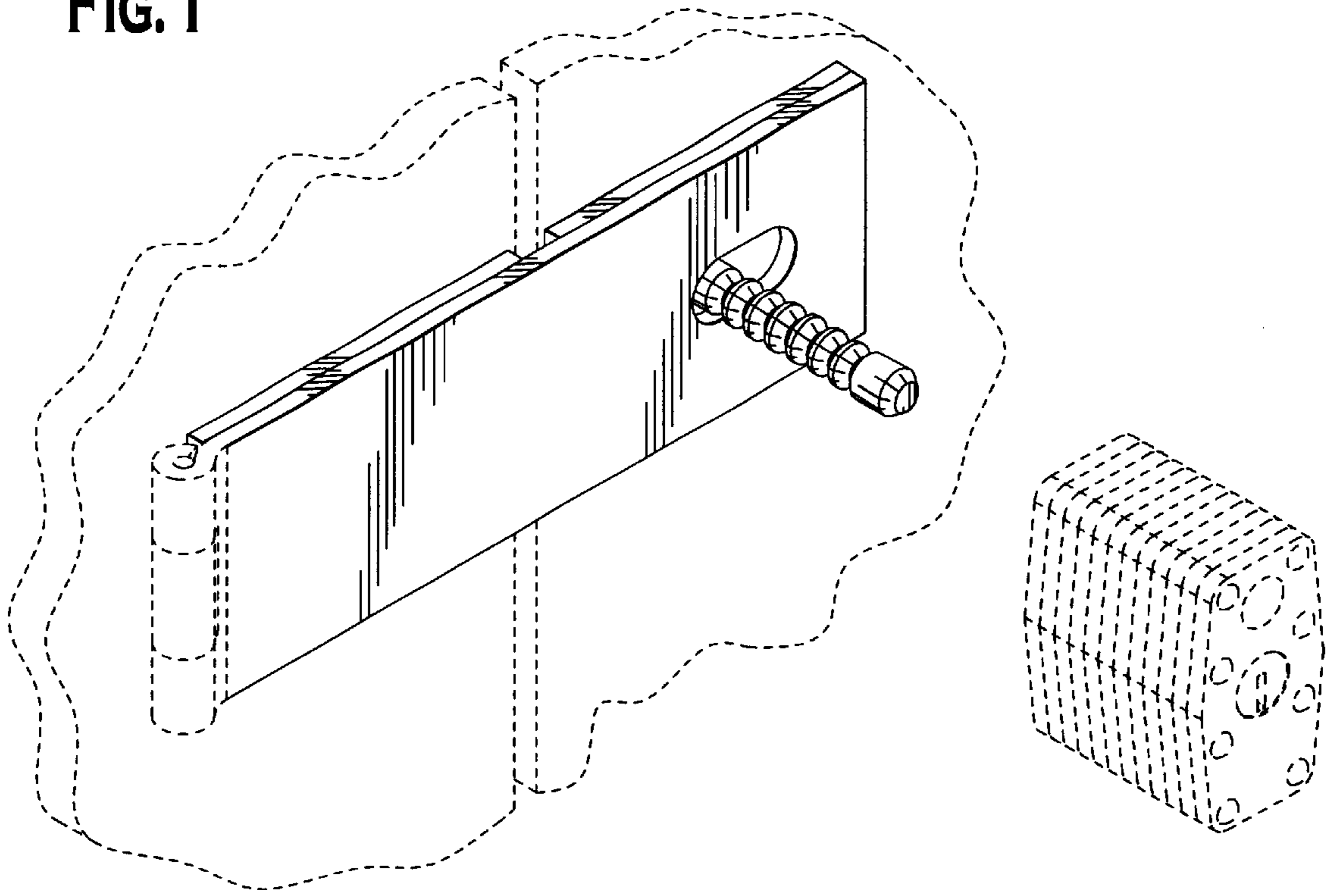


FIG. 2

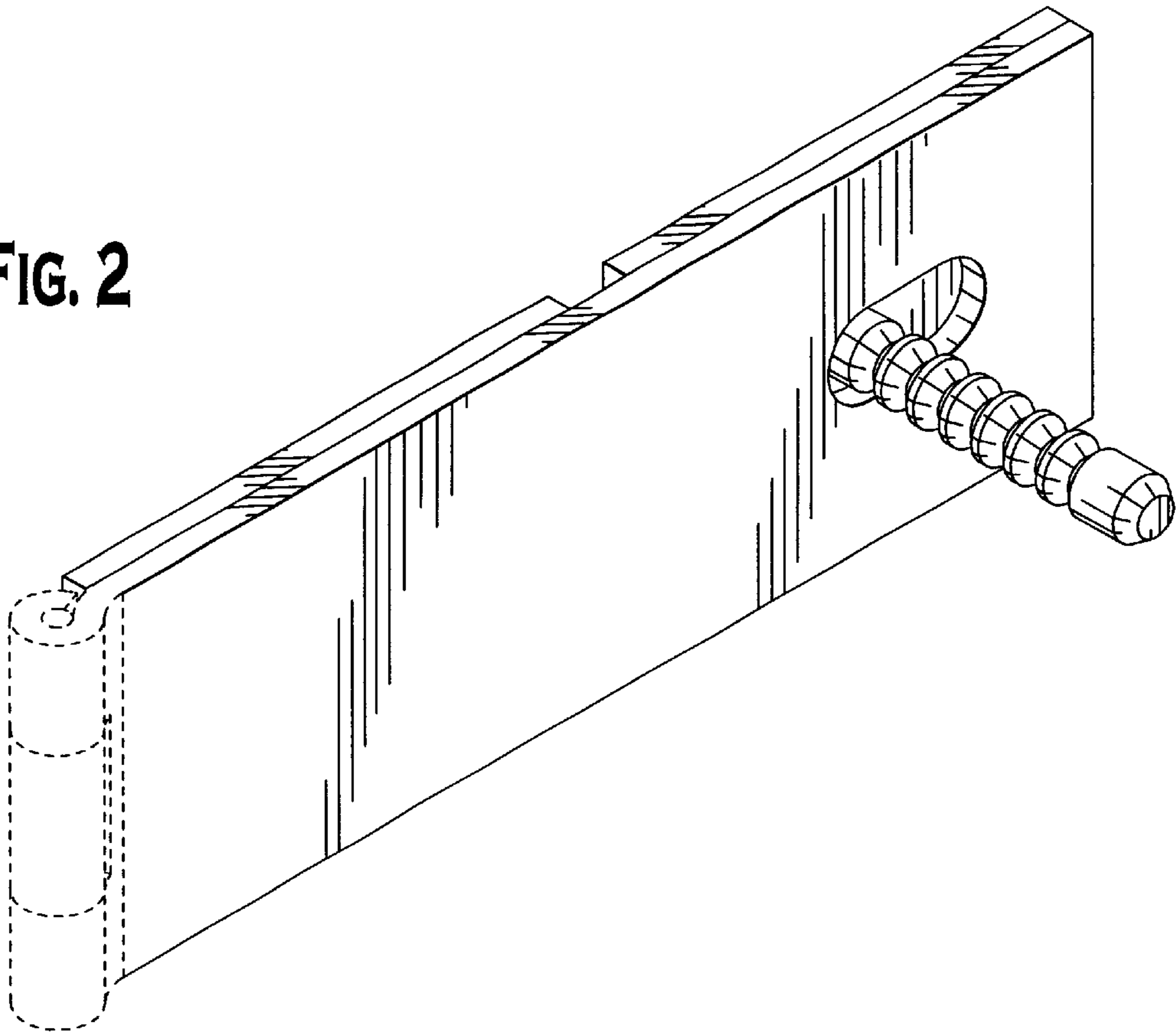


FIG. 3

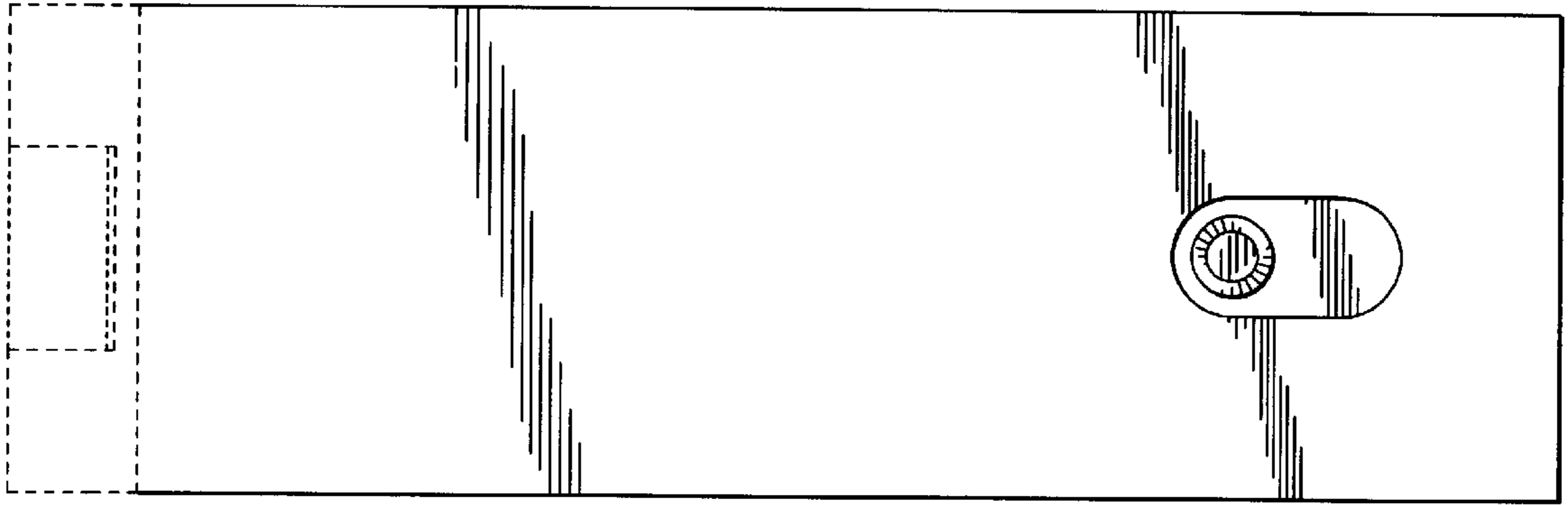


FIG. 4

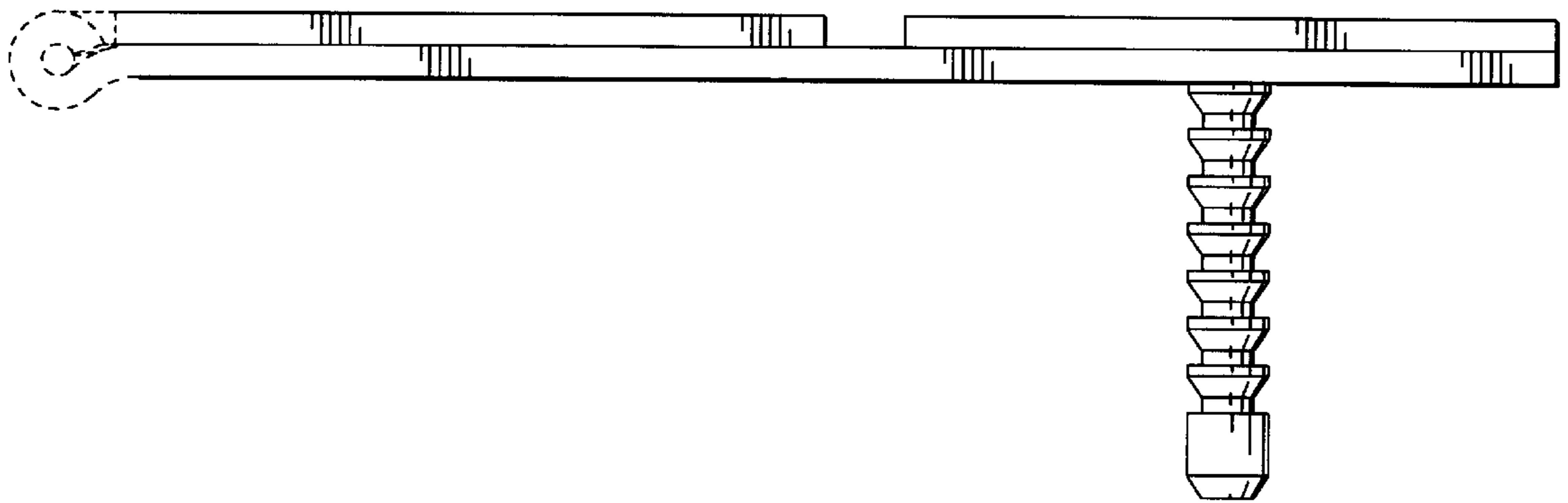


FIG. 5

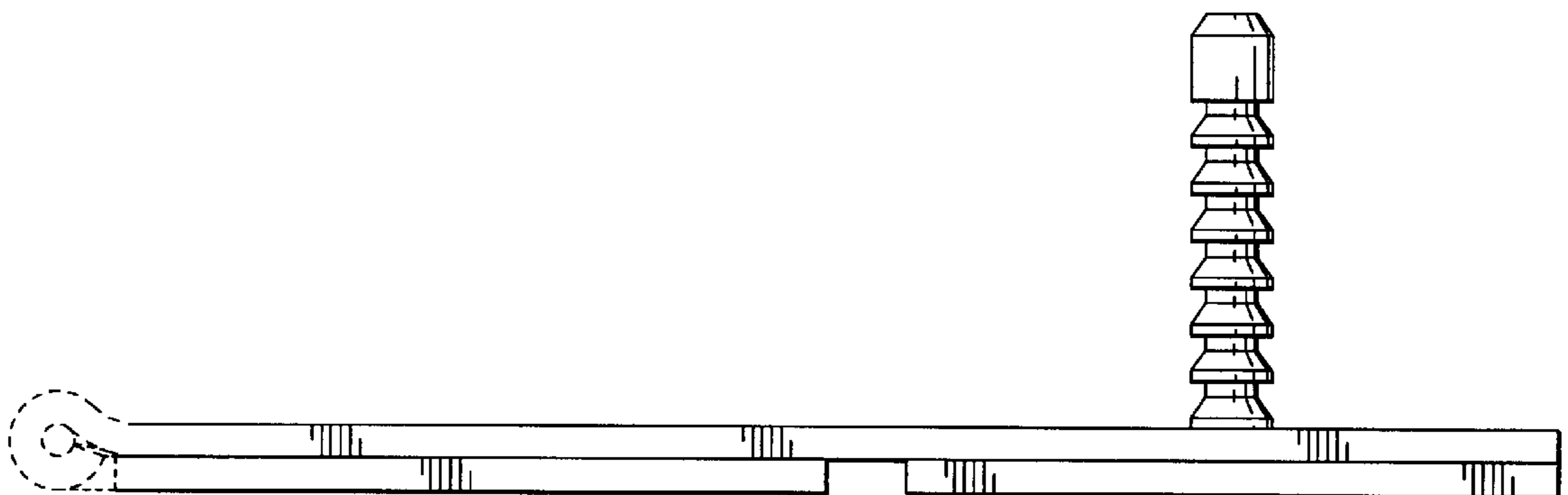


FIG. 6

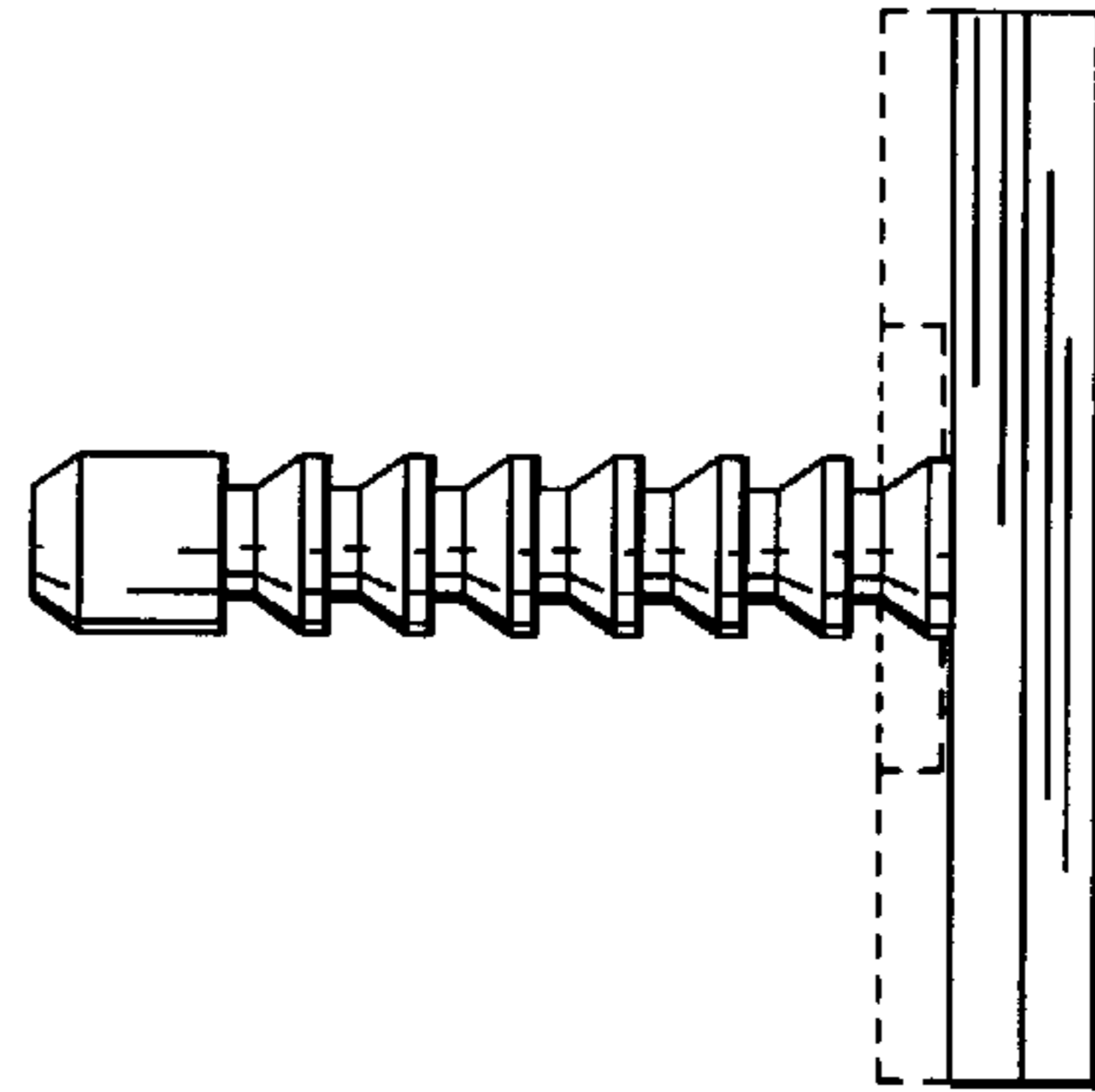


FIG. 7

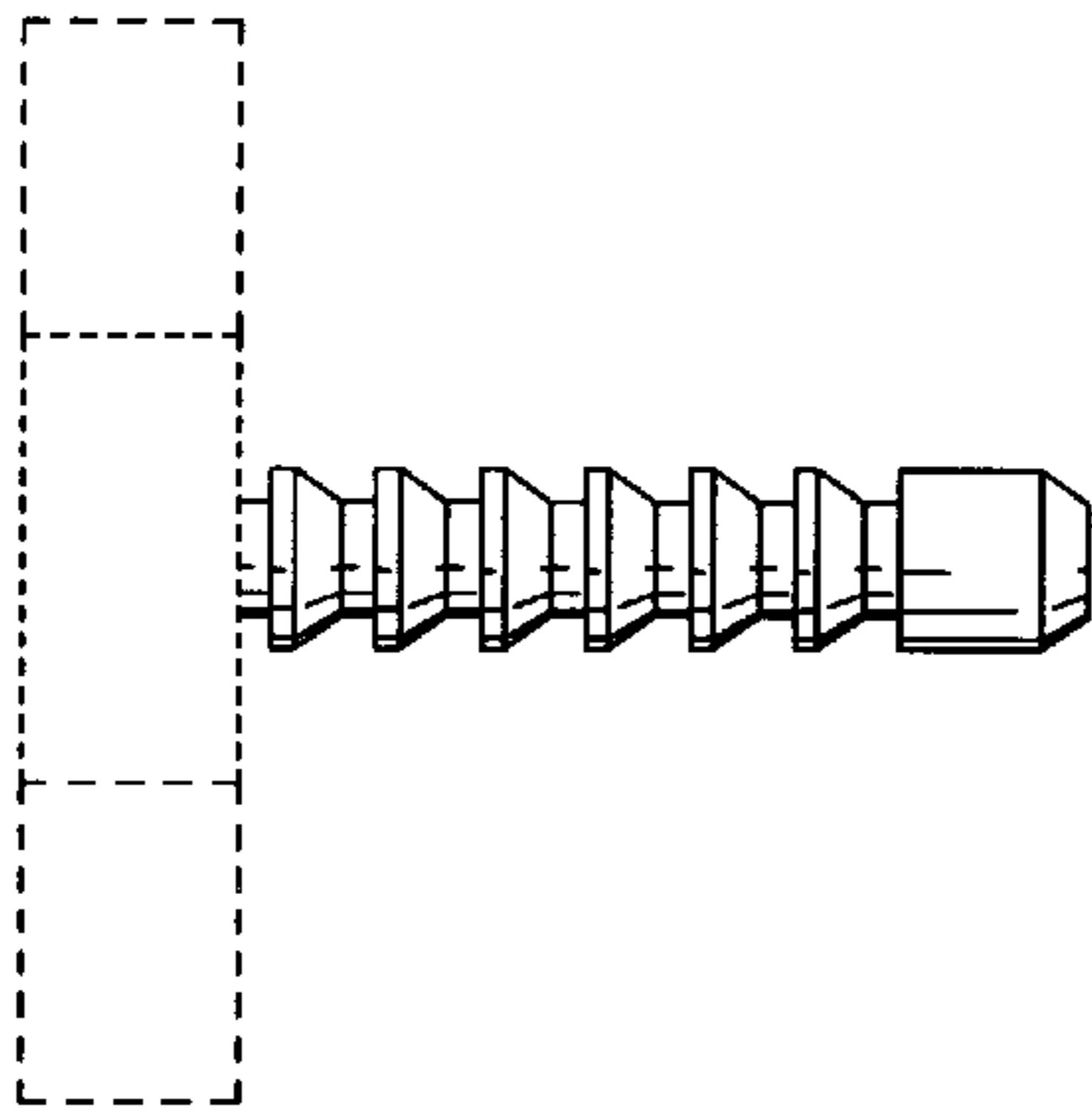
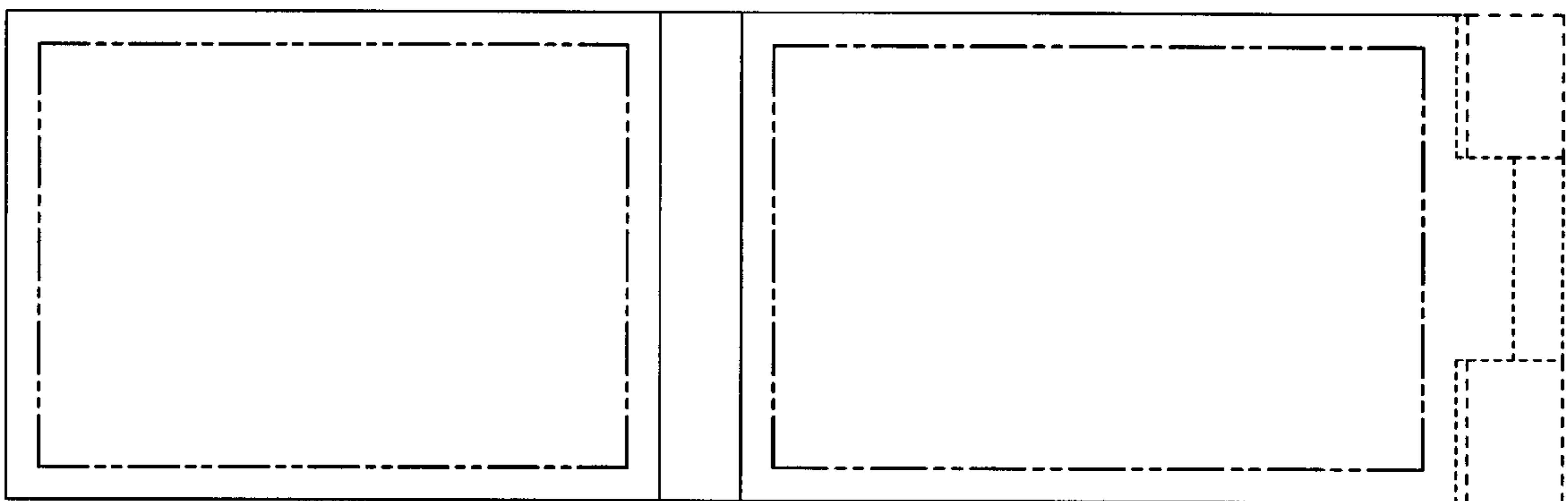
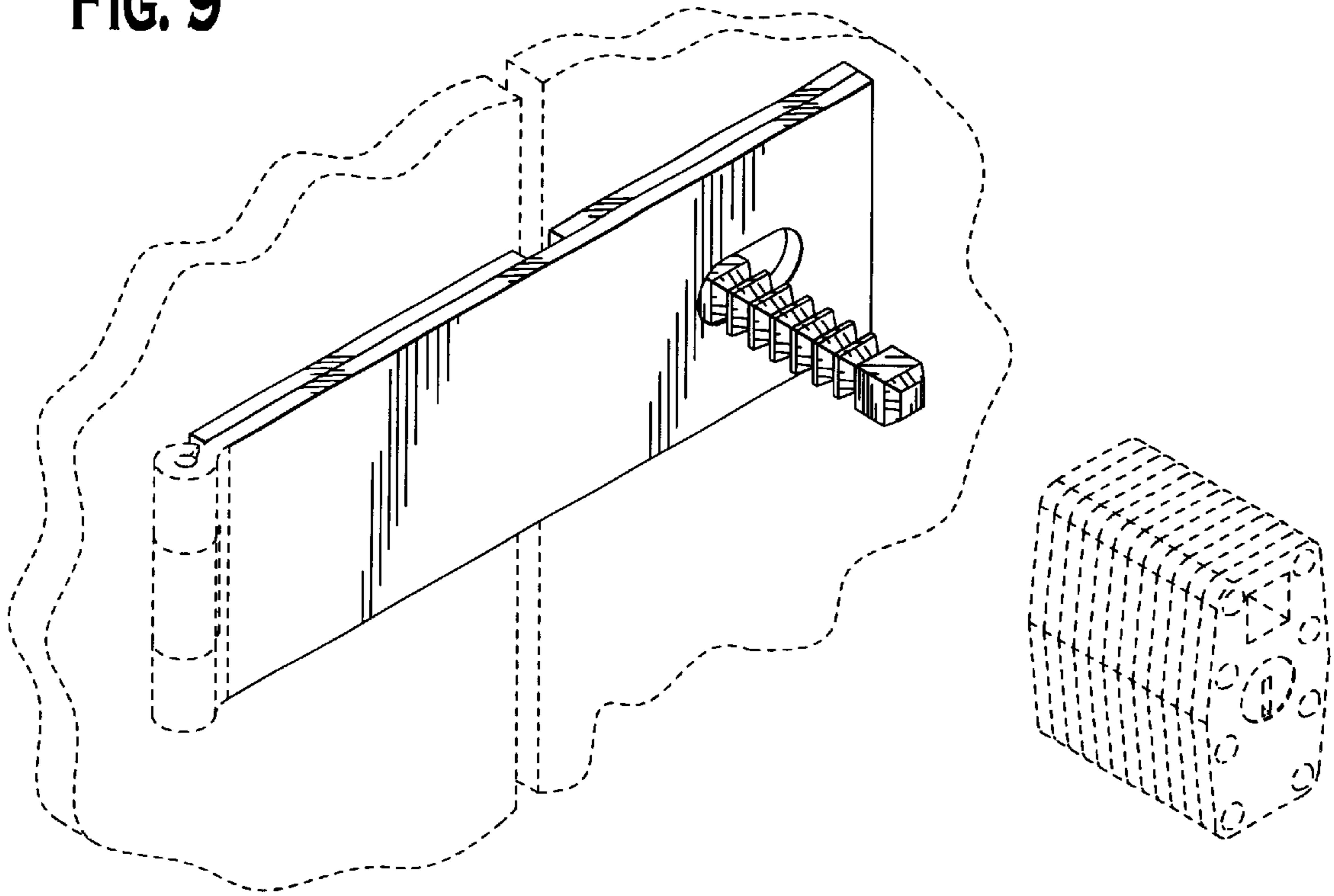


FIG. 8



**FIG. 9**



**FIG. 10**

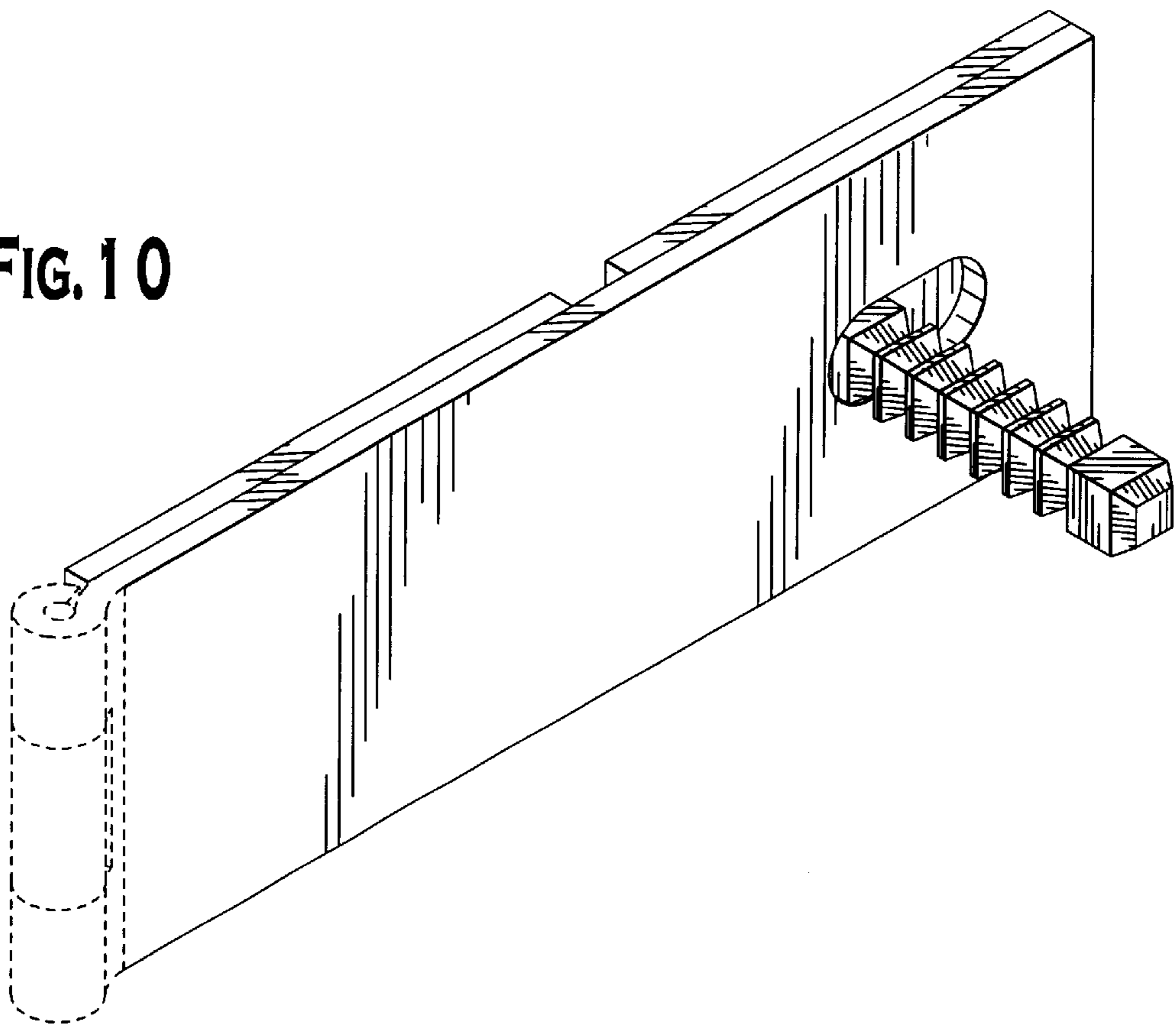


FIG. 11

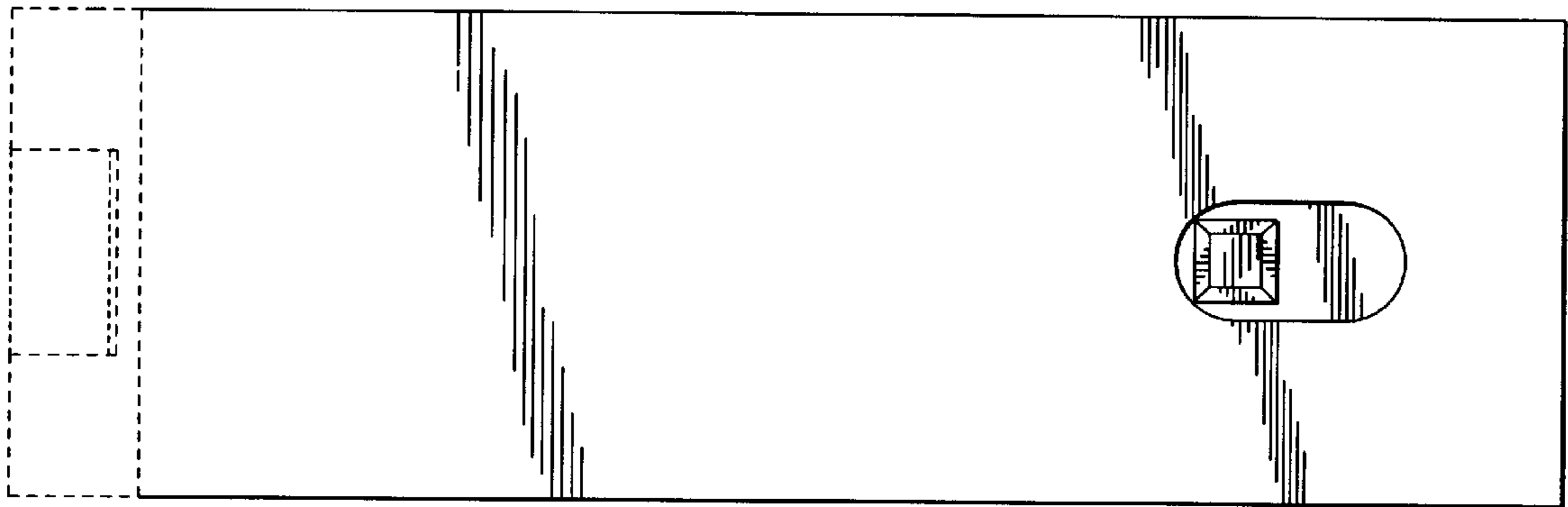


FIG. 12

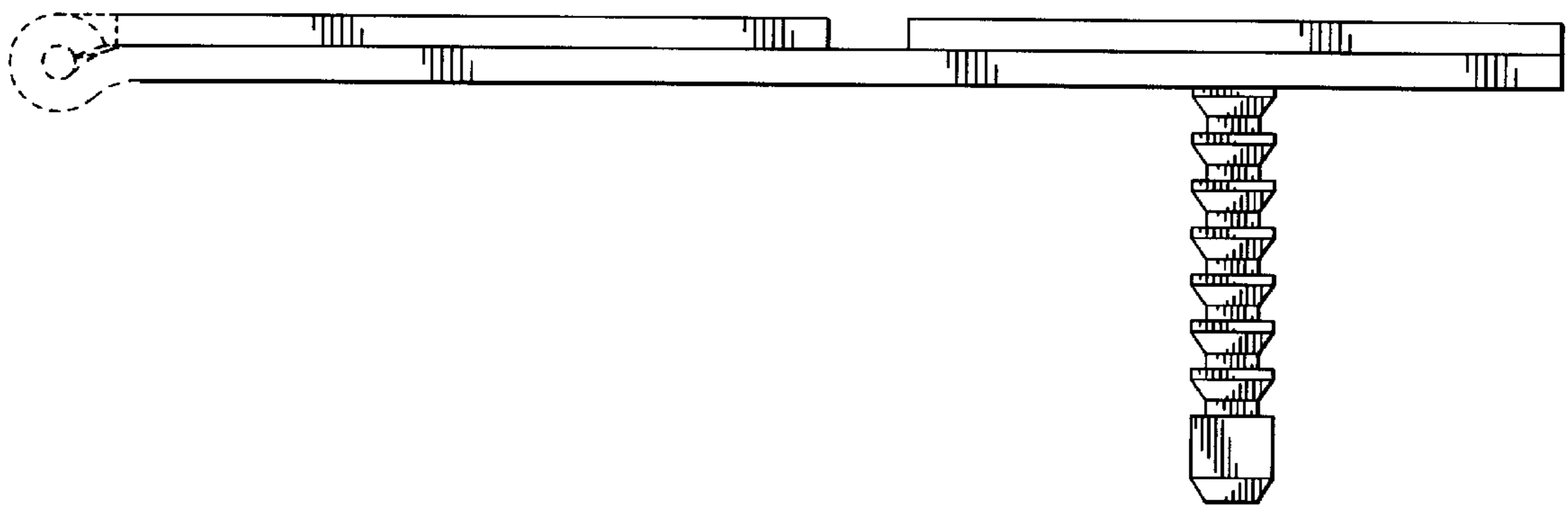


FIG. 13



FIG. 14

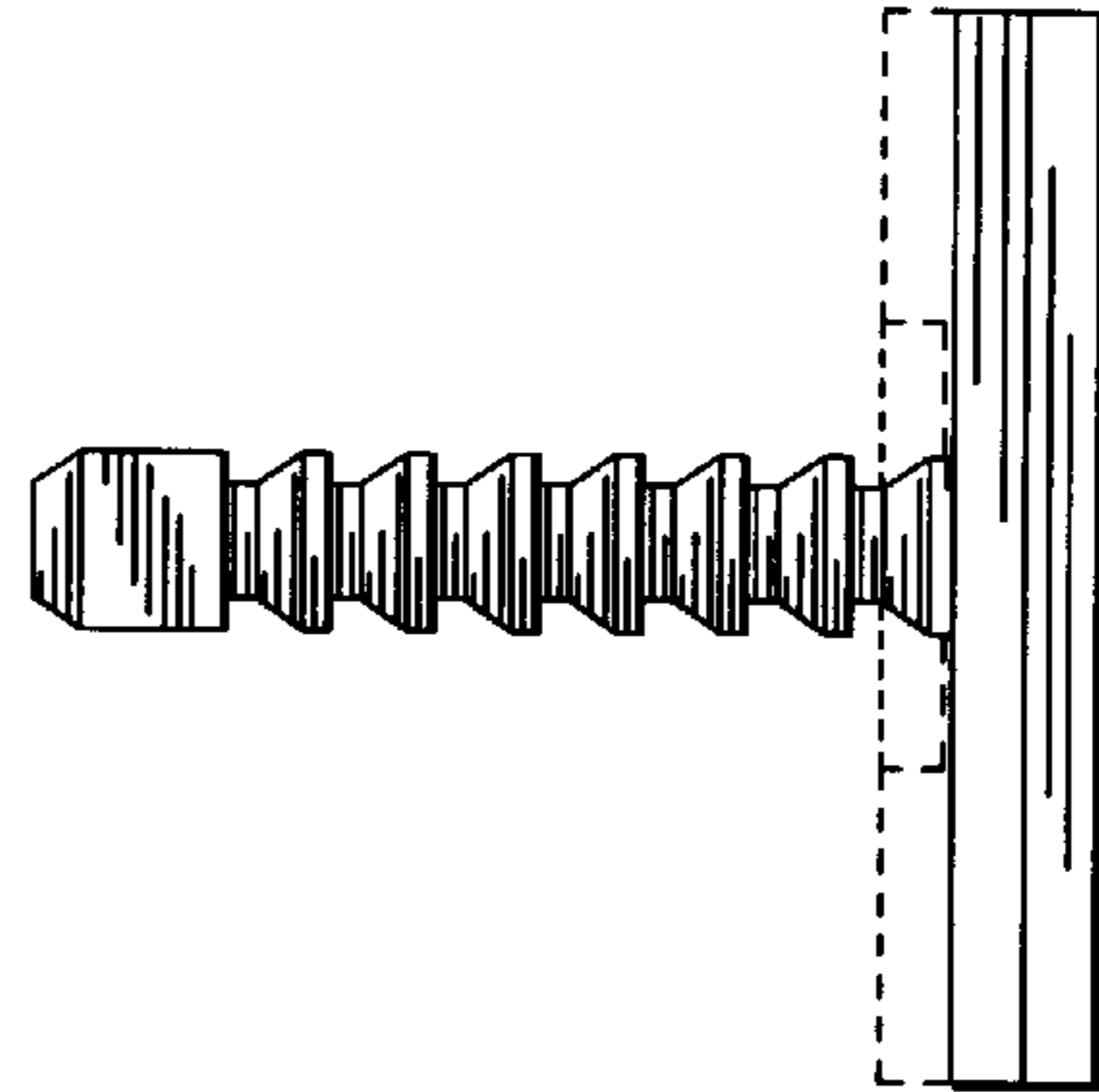


FIG. 15

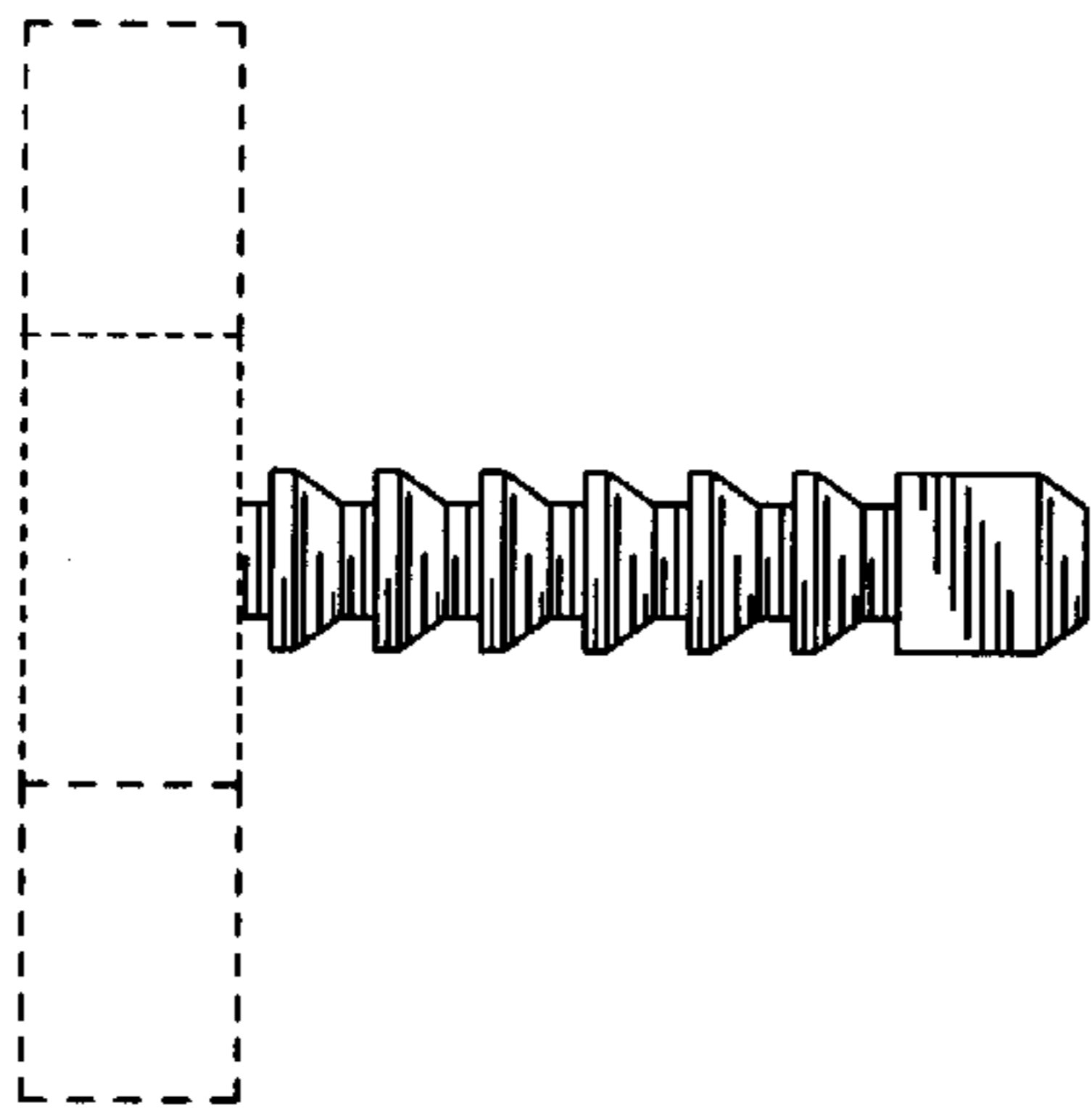


FIG. 16

