



US00D487220S

(12) **United States Design Patent** (10) **Patent No.:** **US D487,220 S**  
**Phillips** (45) **Date of Patent:** **\*\* Mar. 2, 2004**

(54) **BASE FOR AN APPARATUS FOR SECURING A WORKPIECE**

(75) Inventor: **William J. Phillips**, Bolingbrook, IL (US)

(73) Assignee: **WMH Tool Group, Inc.**, Elgin, IL (US)

(\*\*) Term: **14 Years**

(21) Appl. No.: **29/174,591**

(22) Filed: **Jan. 21, 2003**

(51) **LOC (7) Cl.** ..... **08-05**

(52) **U.S. Cl.** ..... **D8/72; D8/74; D8/71**

(58) **Field of Search** ..... **D8/71-74; 81/363, 81/429; 269/98, 247, 252, 253; 24/486, 525**

(56) **References Cited**

**U.S. PATENT DOCUMENTS**

449,987 A	4/1891	Wies	
457,710 A	8/1891	Emmert	
693,811 A	2/1902	Yonge	
703,376 A	7/1902	Bingham	
753,837 A	3/1904	Barcus	
777,611 A	12/1904	Dodge	
1,106,096 A	8/1914	Hunt	
1,497,107 A	6/1924	Lasell	
1,739,488 A	12/1929	Thayer	
1,811,518 A	6/1931	Palmer	
1,890,114 A	12/1932	Fulton	
2,149,541 A	3/1939	Nagle	
D145,641 S	* 9/1946	Thompson	..... D8/74
2,430,458 A	11/1947	Farrell	
2,559,925 A	7/1951	Barker	
2,669,958 A	2/1954	Sweeney	
2,704,951 A	3/1955	Petersen	
2,734,409 A	2/1956	Schum et al.	
D181,115 S	10/1957	Vogl	
3,007,358 A	11/1961	Vogl et al.	
3,096,975 A	7/1963	Irwin	

(List continued on next page.)

**FOREIGN PATENT DOCUMENTS**

DE	328149	10/1920
DE	332373	2/1921
DE	1 099 478	2/1961

(List continued on next page.)

**OTHER PUBLICATIONS**

Phil McCafferty, *One-Hand Clamp*, Popular Science Aug. 1989 (3 pp.).

WMH Tool Group, Inc. drawings illustrating an apparatus that was on sale or publically available more than one year before the filing date of the instant application (7 pp.).

Wilton Corporation 2001 Catalog (21 pages).

Rhombus Tools Limited, United Kingdom Publication entitled *A Sliding Jaw Clamp*, Nov. 9, 1988 (2 pages).

*Primary Examiner*—Louis S. Zarfes

*Assistant Examiner*—Gregory Andoll

(74) *Attorney, Agent, or Firm*—Fitch, Even, Tabin & Flannery

(57) **CLAIM**

I claim the ornamental design for a base for an apparatus for securing a workpiece, as shown and described.

**DESCRIPTION**

FIG. 1 is a perspective view of a base for an apparatus for securing a workpiece according to my new design, the broken lines of which are for illustrative purposes only and form no part of the claimed design;

FIG. 2 is a front elevational view fo the base of FIG. 1, the broken lines of which are for illustrative purposes only and form no part of the claimed design;

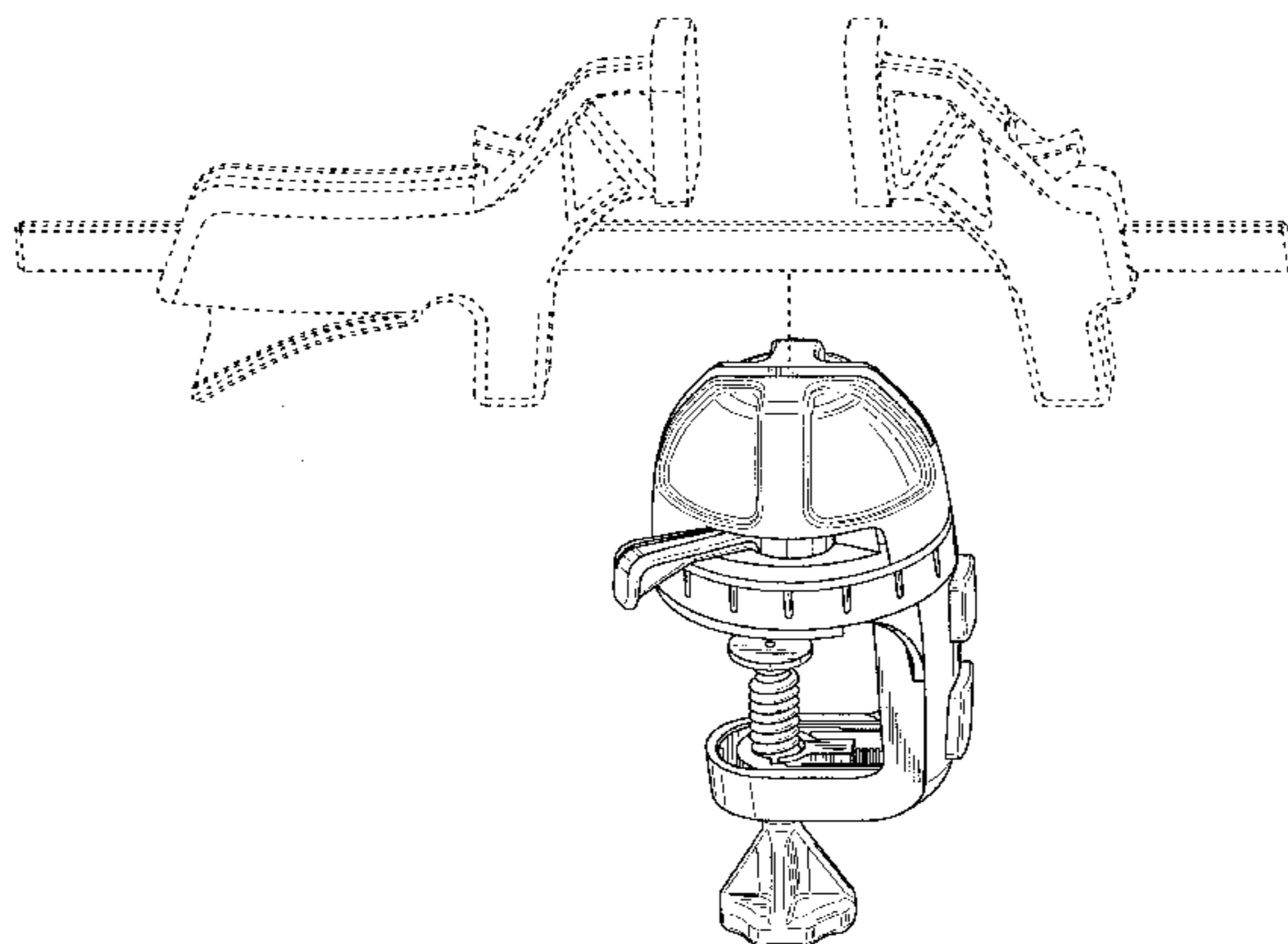
FIG. 3 is a left side elevational view of the base of FIG. 1;

FIG. 4 is a right side elevational view of the base of FIG. 1;

FIG. 5 is a plan view of the base of FIG. 1; and,

FIG. 6 is a perspective view of the base of FIG. 1 shown with an upper portion of the base rotated and an apparatus for securing a workpiece exploded from the base in broken lines which are for illustrative purposes only and form no part of the claimed design.

**1 Claim, 4 Drawing Sheets**



# US D487,220 S

Page 2

## U.S. PATENT DOCUMENTS

3,193,277 A	7/1965	Nagamori
3,224,752 A	12/1965	Benbow
3,281,140 A	10/1966	Smierciak
3,307,843 A	3/1967	Torossian
3,377,061 A	4/1968	Watson
3,492,886 A	2/1970	Naureckas
3,663,005 A	5/1972	Peddinghaus
3,669,440 A	6/1972	Kartasuk et al.
3,675,916 A	7/1972	Kartasuk et al.
3,768,797 A	10/1973	Kartasuk et al.
3,883,128 A	5/1975	Breese
4,040,613 A	8/1977	Kartasuk et al.
4,057,239 A	11/1977	Hopf et al.
4,081,112 A	3/1978	Chang
4,185,811 A	1/1980	Long
4,220,322 A	9/1980	Hobday
4,253,648 A	3/1981	Meeks
4,339,113 A	7/1982	Vosper
4,436,294 A	3/1984	Irelan
4,534,547 A	8/1985	Cox
4,563,921 A	1/1986	Wallace
4,830,350 A	5/1989	Kuei
4,893,801 A	1/1990	Flinn
4,926,722 A	5/1990	Sorensen et al.
4,932,638 A	6/1990	Chen
4,989,847 A	2/1991	Chapman
5,005,449 A	4/1991	Sorensen et al.
5,009,134 A	4/1991	Sorensen et al.
5,022,137 A	6/1991	Sorensen et al.
D320,919 S	10/1991	Sorensen
5,094,131 A	3/1992	Sorensen et al.
5,161,787 A	11/1992	Hobday
5,197,360 A	3/1993	Wooster, Jr.
5,222,420 A	6/1993	Sorensen et al.
5,348,276 A	9/1994	Blacker
5,421,384 A	6/1995	Nuwordu
5,454,551 A	10/1995	Hobday
5,568,916 A	10/1996	Gibbons et al.
5,593,147 A	1/1997	Read

5,692,734 A	12/1997	Aldredge, Sr.
5,775,680 A	7/1998	Sorensen et al.
5,826,310 A	10/1998	Hobday
5,830,091 A	11/1998	Romanick
5,853,168 A	12/1998	Drake
D417,377 S	12/1999	Blank et al.
6,113,085 A	9/2000	Lindenthal et al.
6,135,435 A	10/2000	Schmitz
6,220,589 B1	4/2001	Smith, III et al.
6,347,792 B1	2/2002	O'Brien
6,412,767 B1	7/2002	Beckmann et al.
6,450,489 B1	9/2002	Wang
D471,070 S *	3/2003	Howell ..... D8/72
6,530,565 B1	3/2003	Simpson
2002/0043752 A1	4/2002	Reed et al.
2003/0090048 A1	5/2003	Varzino et al.

## FOREIGN PATENT DOCUMENTS

DE	2 149 012	4/1972
DE	2 326 546	12/1974
DE	24 03 830	3/1975
DE	28 06 555	8/1979
DE	87 03 379.8	9/1987
DE	8907067	10/1989
GB	443381	2/1936
GB	819506	9/1959
GB	956390	4/1964
GB	973387	10/1964
GB	1 408 886	10/1975
GB	1 555 455	11/1979
GB	2 063 111	6/1981
GB	2 178 689 A	2/1987
GB	2 182 271	5/1987
GB	2 204 260 A	11/1988
GB	2 204 263 A	11/1988
GB	2 204 264 A	11/1988
GB	2 214 109 A	8/1989
GB	2 221634	2/1990

\* cited by examiner

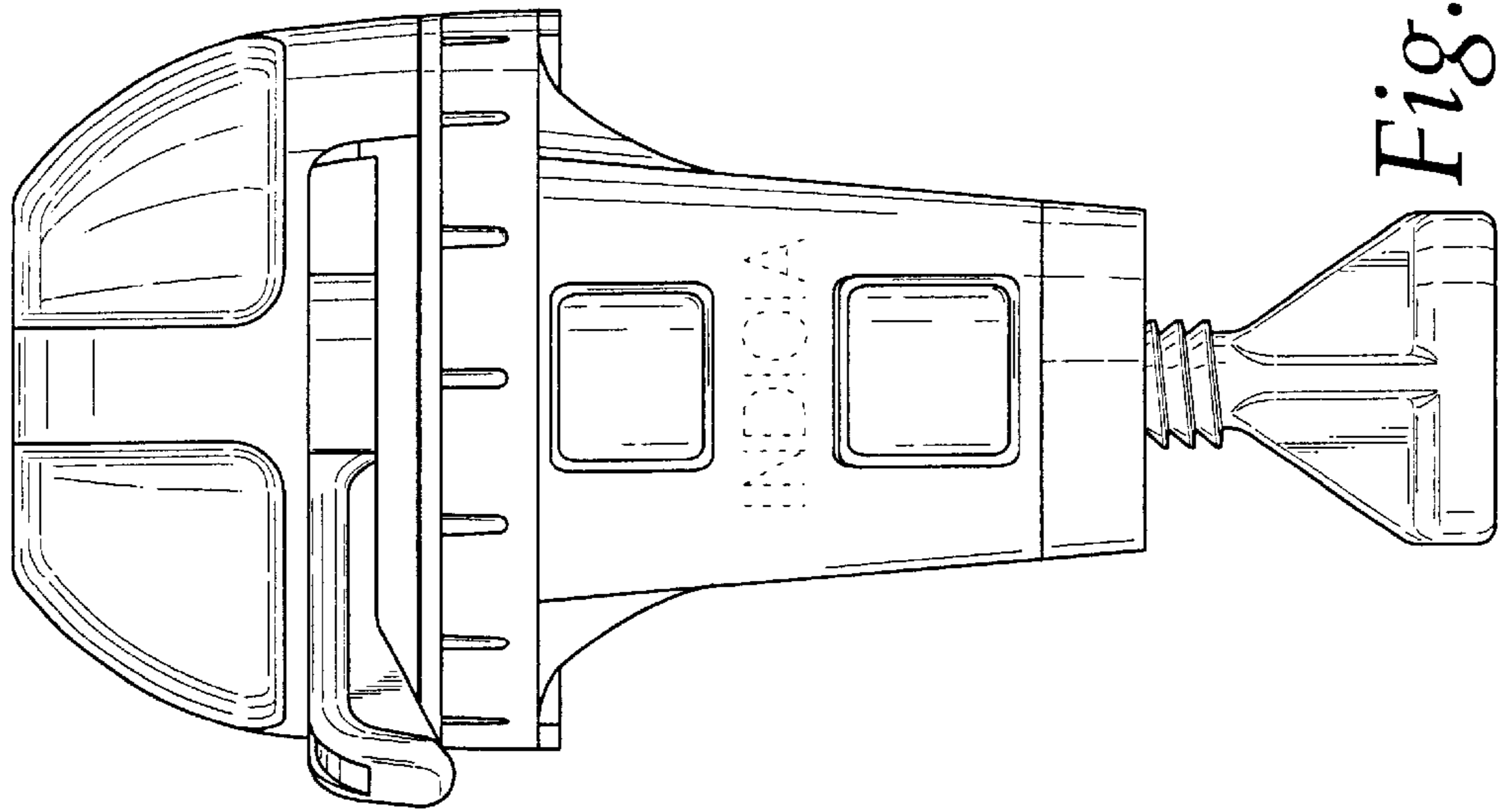


Fig. 2

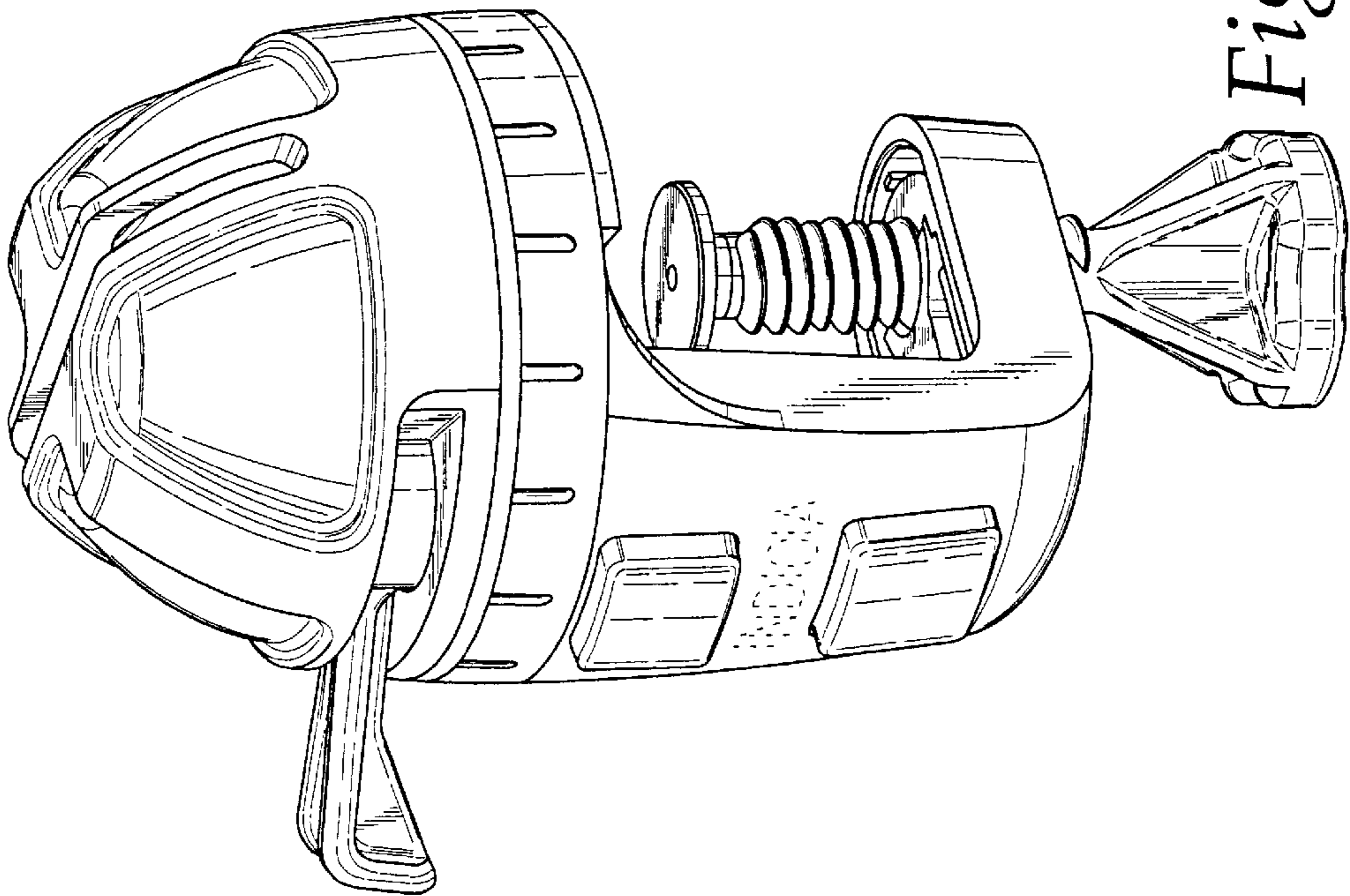
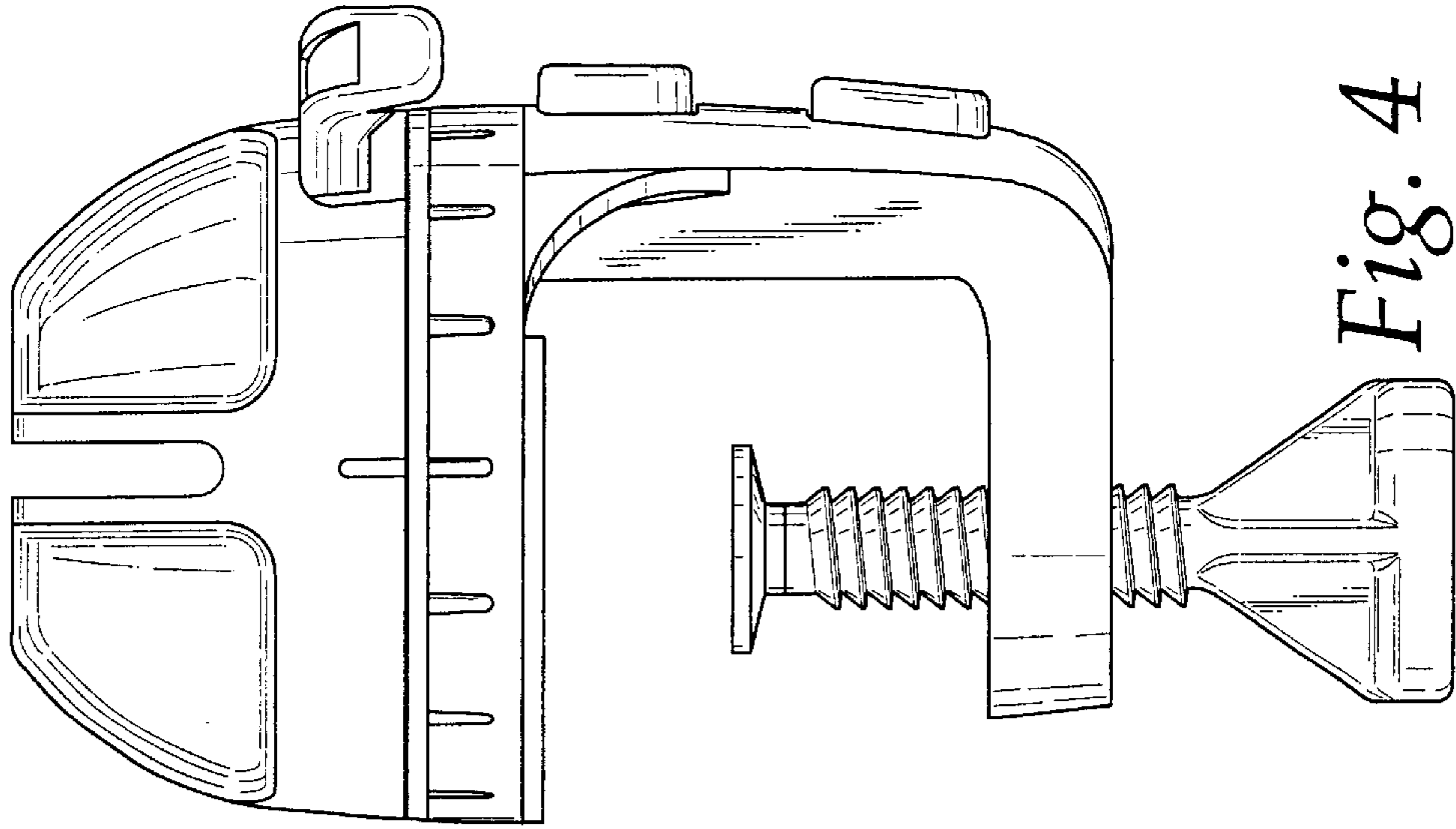
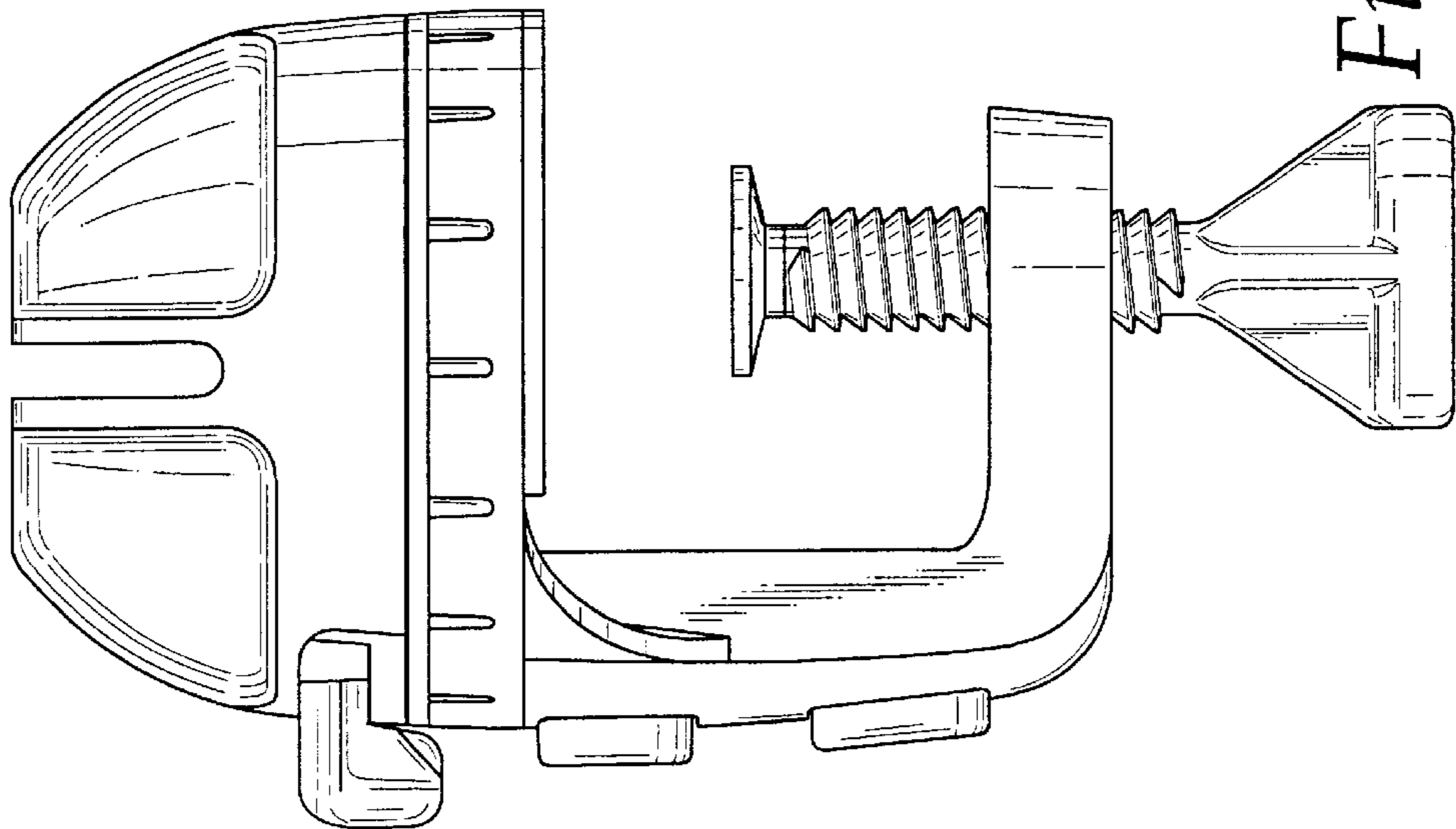


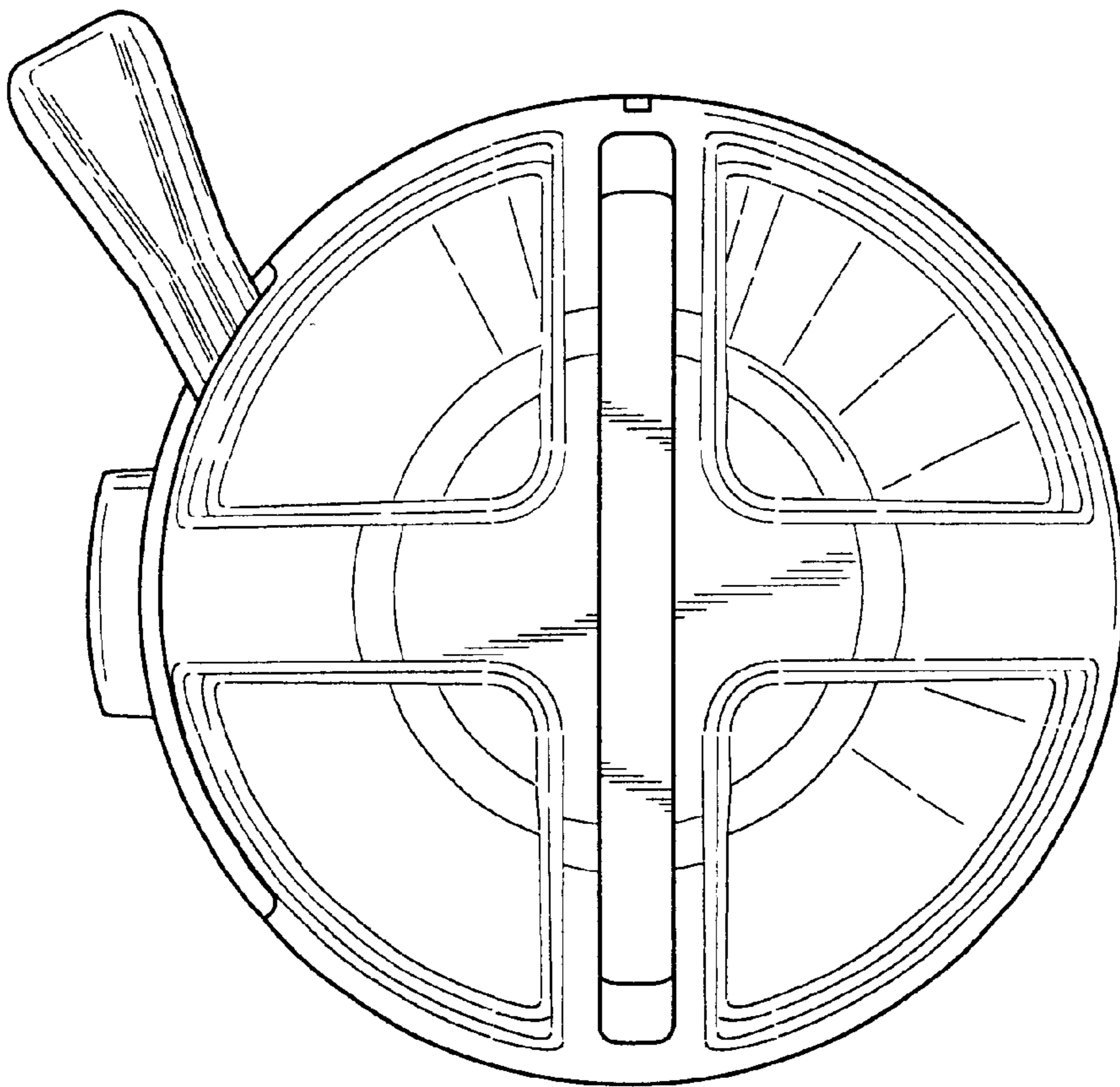
Fig. 1



*Fig. 4*



*Fig. 3*



*Fig. 5*

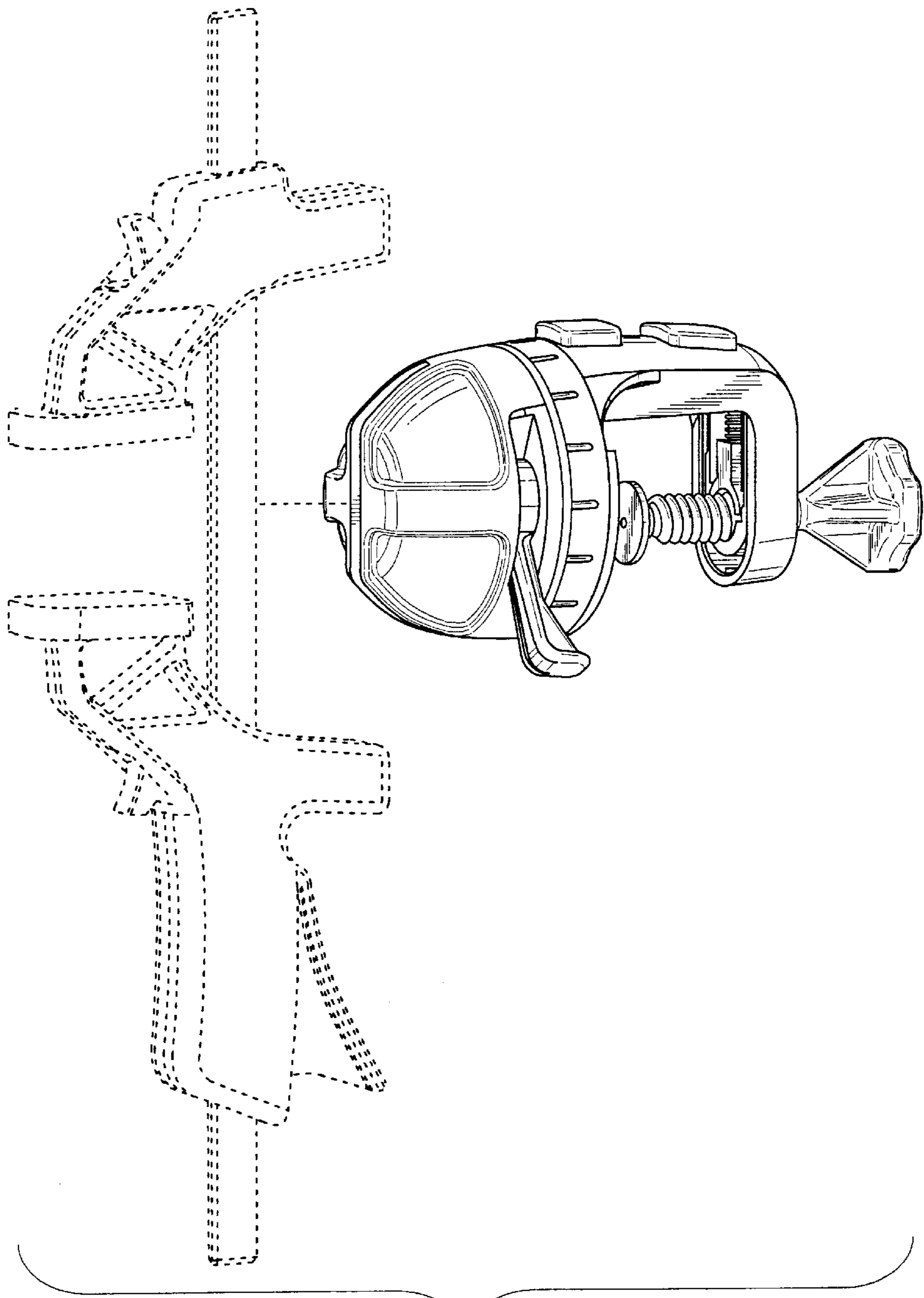


Fig. 6