



US00D487219S

(12) **United States Design Patent**
Chudy et al.

(10) **Patent No.:** **US D487,219 S**

(45) **Date of Patent:** **** Mar. 2, 2004**

(54) **HAND-HELD TOOL**

(75) Inventors: **Frederick C. Chudy**, Greenfield, WI (US); **John A. Pierman**, Kenosha, WI (US)

(73) Assignee: **Snap-on Technologies, Corp**, Lincolnshire, IL (US)

(**) Term: **14 Years**

(21) Appl. No.: **29/179,306**

(22) Filed: **Apr. 8, 2003**

(51) **LOC (7) Cl.** **08-05**

(52) **U.S. Cl.** **D8/68**

(58) **Field of Search** D8/14.1, 61, 62, D8/63, 64, 65, 66, 67, 68, 69, 70; 81/57.11, 429, 464, 465, 466, 469, 489; 173/13, 169, 178, 213, 217; 227/8, 114, 120, 130, 136, 142; 310/50; 408/20, 124, 125, 234, 241 R; 451/358

(56) **References Cited**

U.S. PATENT DOCUMENTS

3,043,274 A *	7/1962	Quackenbush	173/169
D205,631 S *	8/1966	Averitt	D8/68
D227,652 S *	7/1973	Linthicum	D8/68
D275,728 S *	10/1984	Totsu	D8/68
D289,004 S *	3/1987	Somers	D8/68
D296,412 S	6/1988	Nelson et al.	D8/68
4,862,972 A *	9/1989	Sudnishnikov et al.	173/169
D315,855 S	4/1991	Fushiya et al.	D8/68
D320,917 S	10/1991	Fushiya et al.	D8/68
D335,073 S *	4/1993	Anthony et al.	D8/61
D339,046 S	9/1993	Fushiya et al.	D8/68
D342,430 S	12/1993	Saito et al.	D8/68
D382,457 S *	8/1997	Ghode et al.	D8/68
D392,863 S	3/1998	Sugimoto et al.	D8/68
D404,276 S *	1/1999	Ghode et al.	D8/68
5,881,855 A	3/1999	Putney et al.	192/35
D408,249 S *	4/1999	Fallandy	D8/68
D410,830 S *	6/1999	Pusateri et al.	D8/61
5,913,370 A *	6/1999	Chapelle et al.	173/169

5,941,360 A	8/1999	Putney et al.	192/150
5,954,142 A *	9/1999	Rahm	173/169
6,043,575 A	3/2000	Ghode et al.	310/52
D424,902 S	5/2000	Gildersleeve et al.	D8/68
6,062,323 A	5/2000	Pusateri et al.	173/169
D436,510 S *	1/2001	Bazayev et al.	D8/68
D437,761 S	2/2001	Okumura et al.	D8/68
D446,434 S *	8/2001	Ashbaugh et al.	D8/68
D458,101 S	6/2002	Hartman et al.	D8/61
D466,386 S	12/2002	Zurwelle	D8/68
6,488,451 B1	12/2002	Hartman	408/124
D472,782 S *	4/2003	Pusateri et al.	D8/68
2002/0060082 A1	5/2002	Watanabe	173/176

OTHER PUBLICATIONS

“18 Volt ½ in. Impact Wrench Kit” Model No. 9079–22 from Milwaukee Tool Corporation Website www.milwaukee-tools.com, Jan. 24, 2003.

“Impact Wrench, Cordfree, 18 Volt, ½ Drive” Model No. CT3850 from Snap-on Website www.snapon.com, Jan. 24, 2003.

* cited by examiner

Primary Examiner—Doris V. Coles

Assistant Examiner—T. Chase Nelson

(74) *Attorney, Agent, or Firm*—Barnes & Thornburg

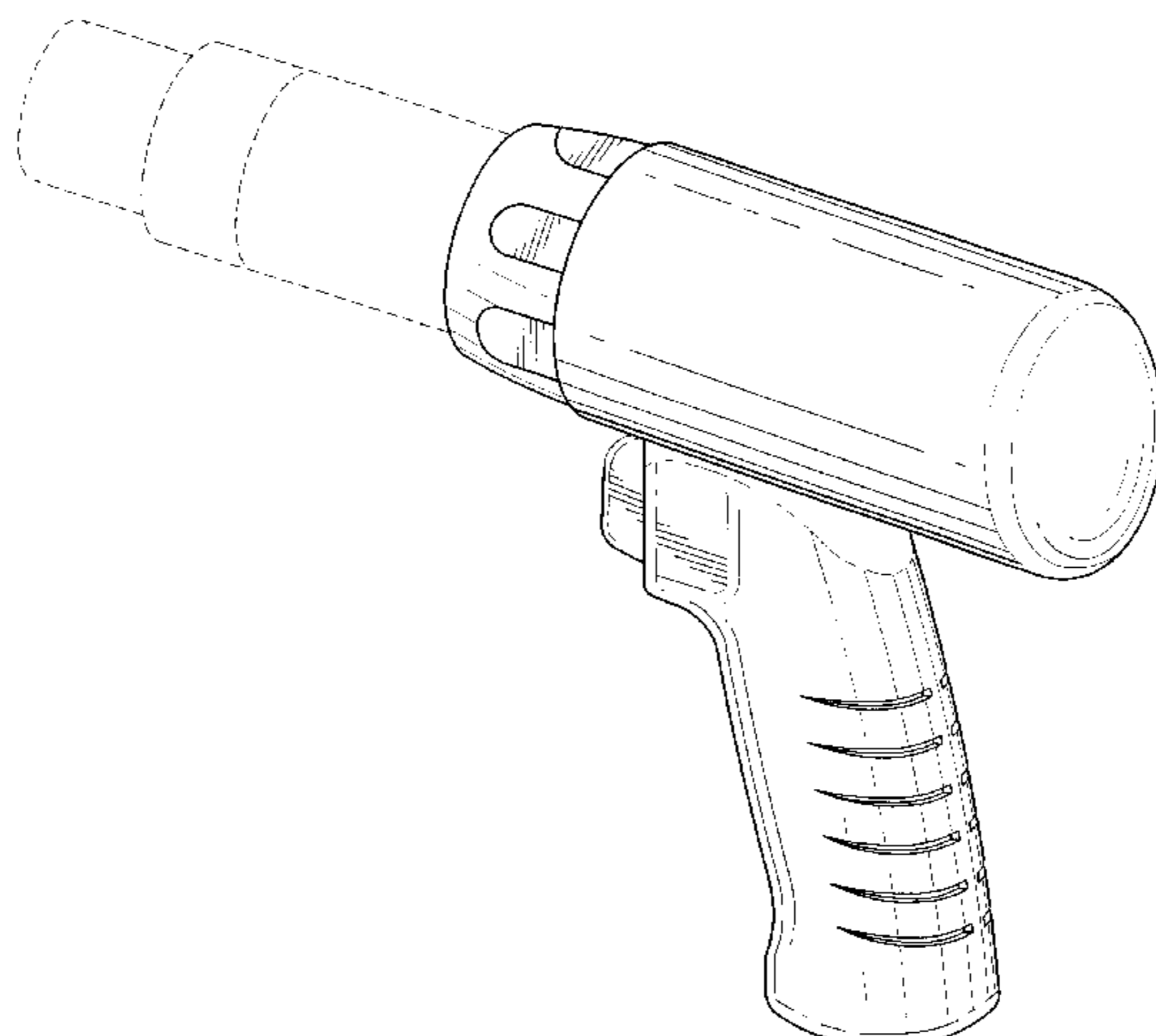
(57) **CLAIM**

The ornamental design for a hand-held tool, as shown and described.

DESCRIPTION

FIG. 1 is a perspective view of the hand-held tool; FIG. 2 is a right side view of the hand-held tool; FIG. 3 is a left side view thereof of the hand-held tool; FIG. 4 is a top plan view thereof; FIG. 5 is a bottom plan view thereof; FIG. 6 is a front elevational view thereof; and, FIG. 7 is a rear elevational view thereof. The broken lines are shown in the views for illustrative purposes only and form no part of the claimed invention.

1 Claim, 3 Drawing Sheets



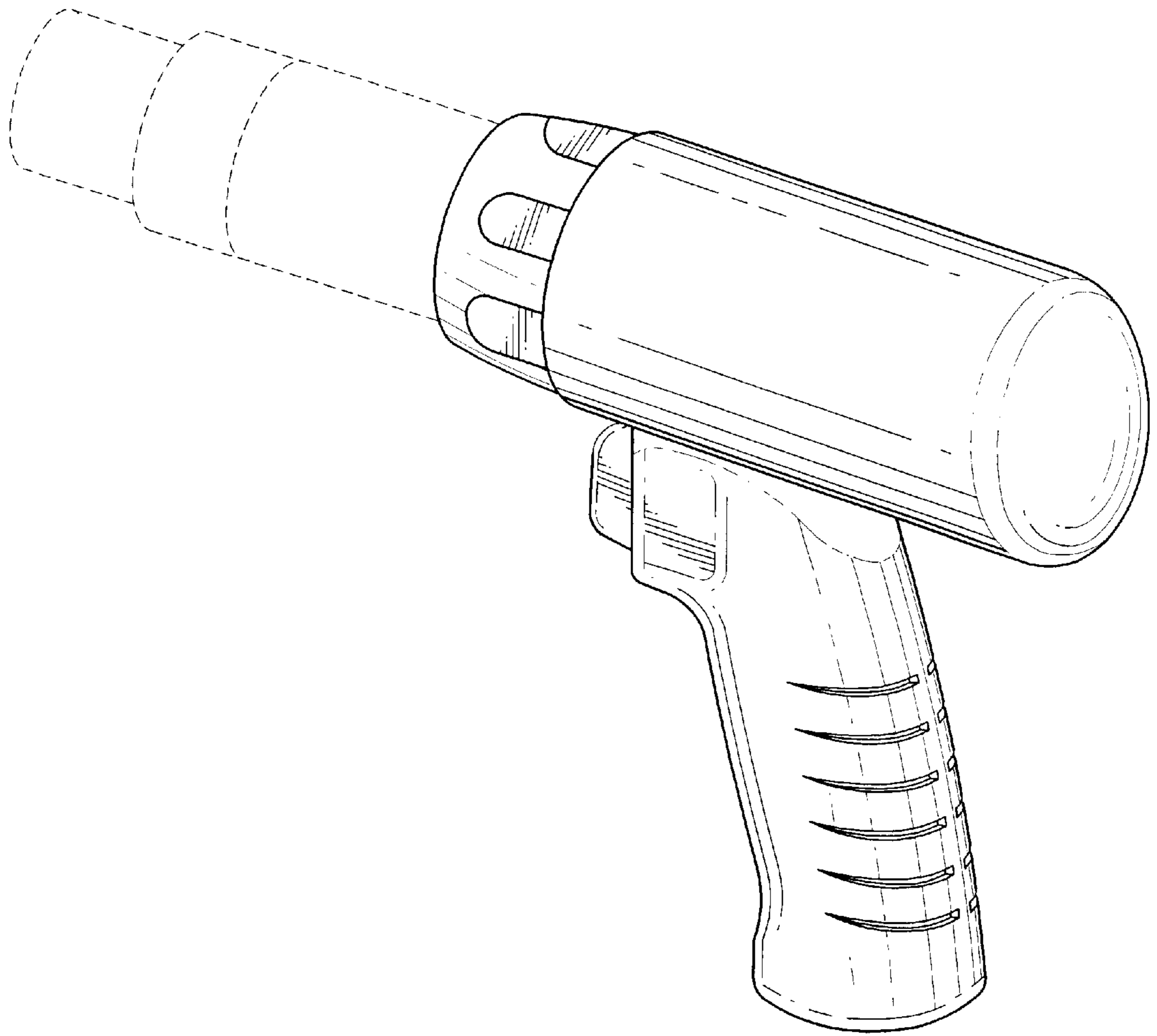


FIG. 1

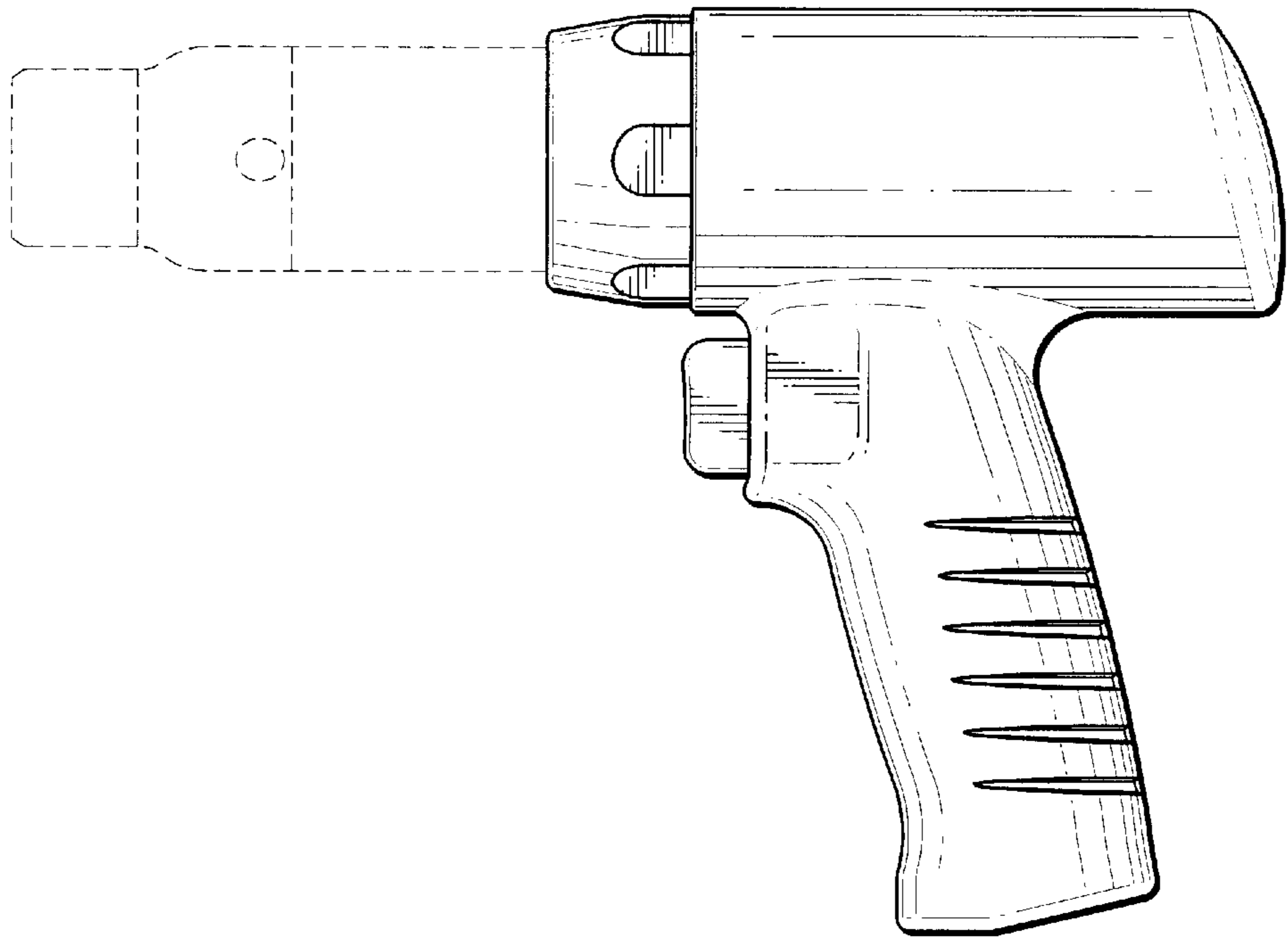


FIG. 2

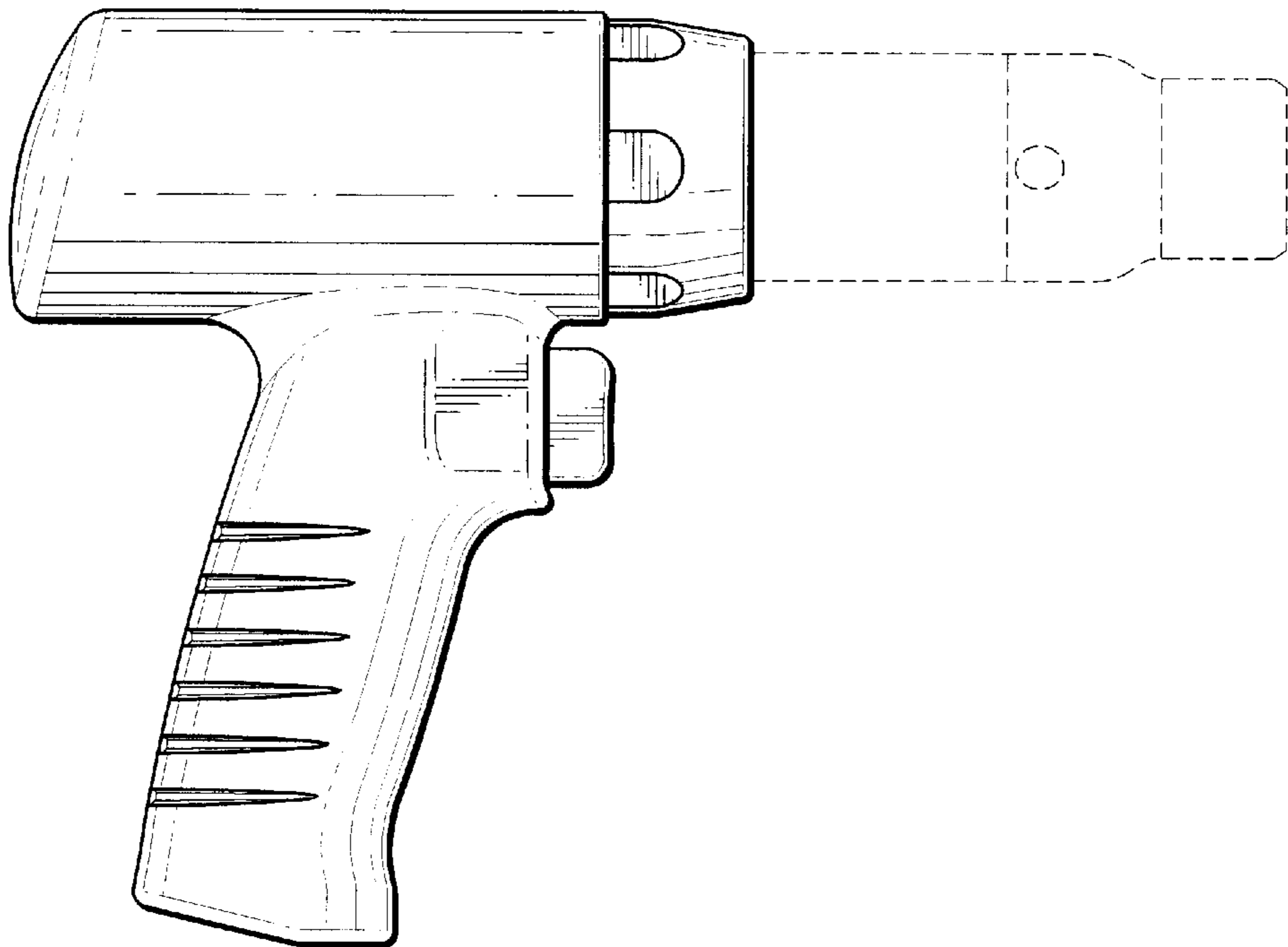


FIG. 3

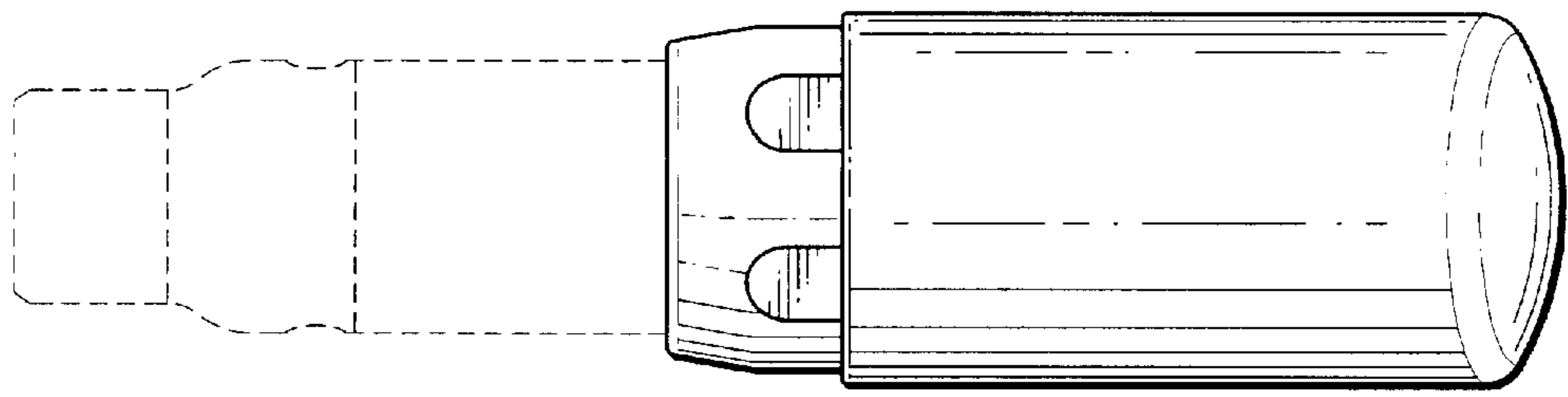


FIG. 4

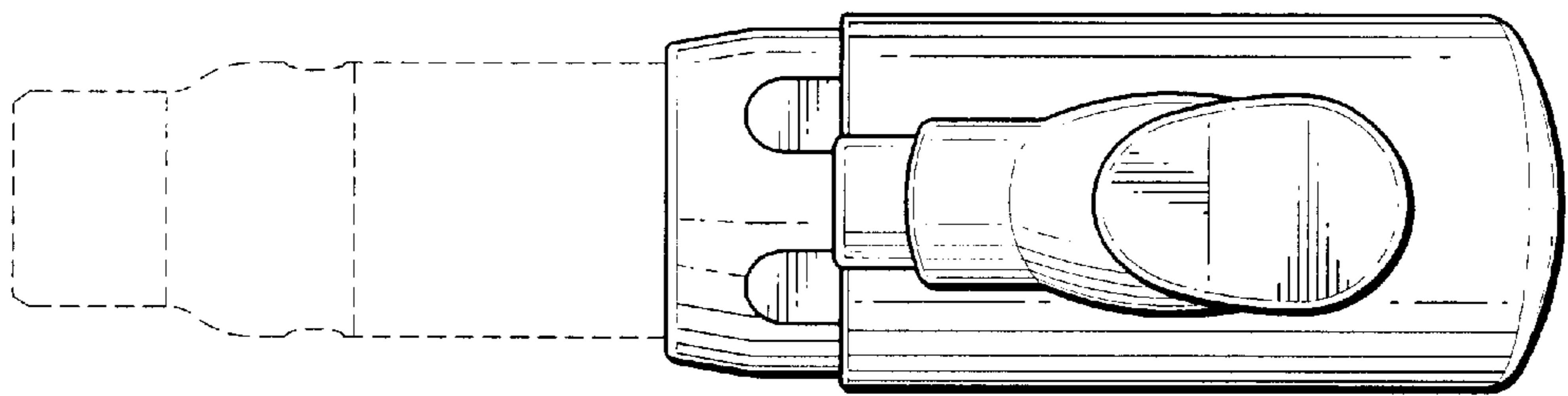


FIG. 5

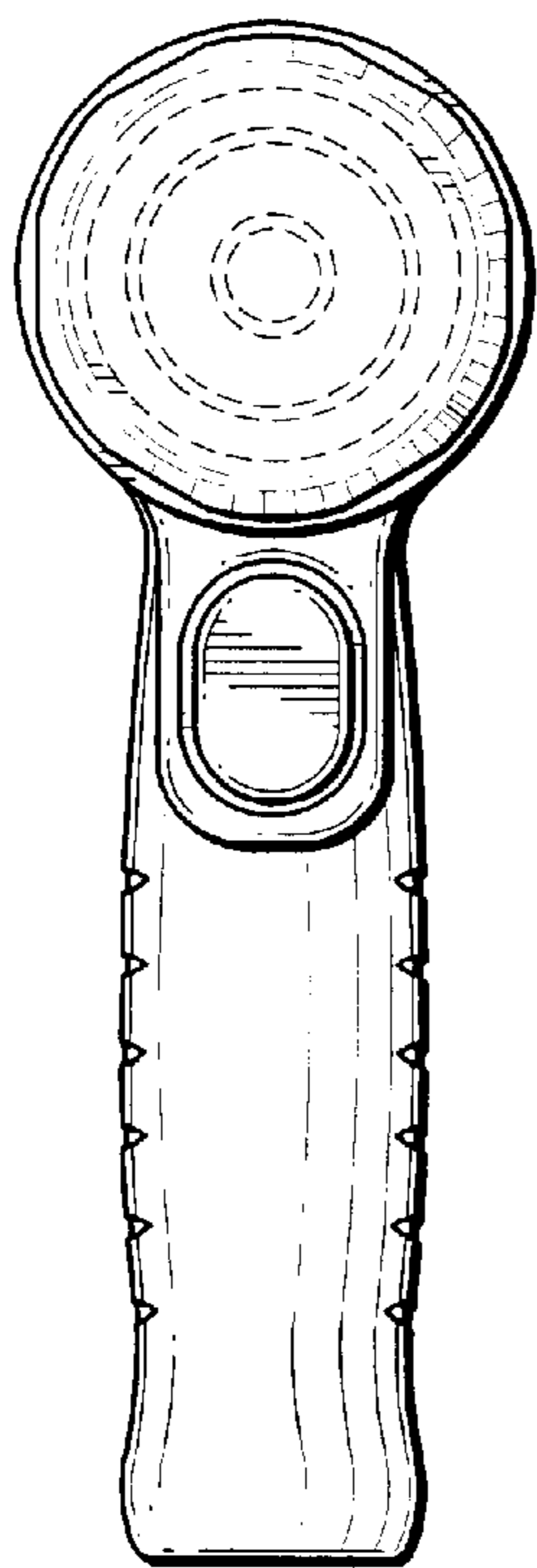


FIG. 6

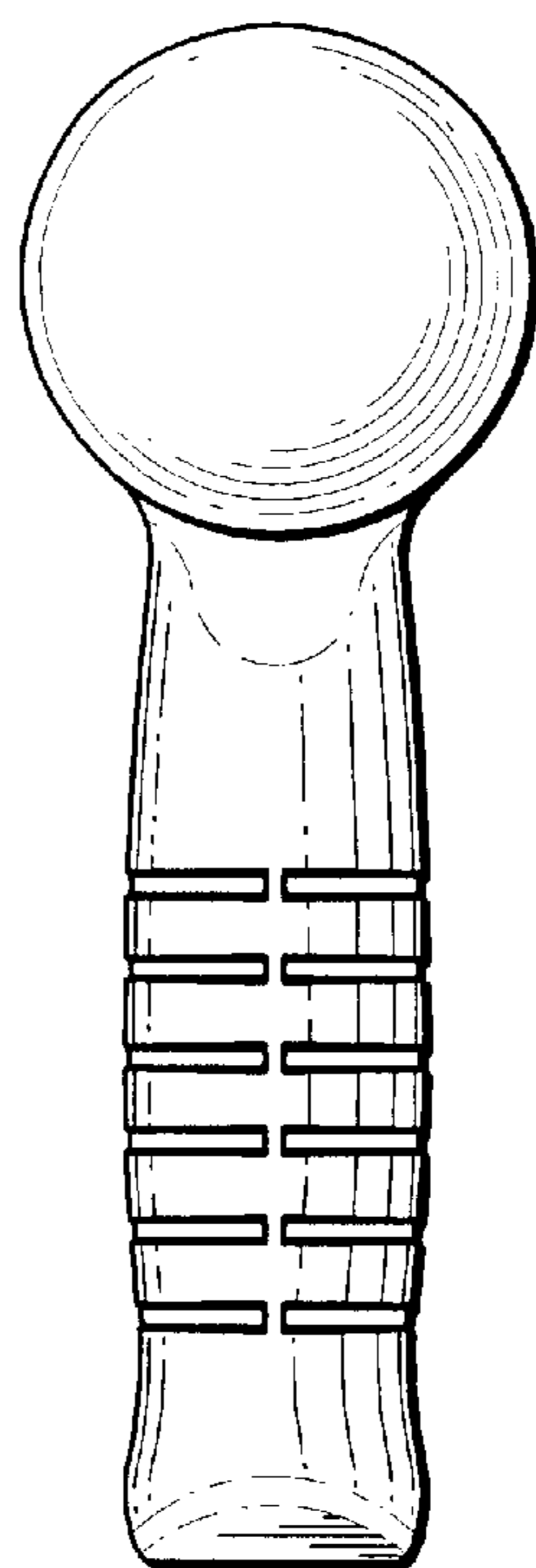


FIG. 7