



US00D487216S

(12) **United States Design Patent**
Arvidsson et al.

(10) **Patent No.:** **US D487,216 S**
(45) **Date of Patent:** **** Mar. 2, 2004**

(54) **HANDLE**

(75) Inventors: **Gösta Arvidsson**, Huskvarna (SE);
Kenneth Karlsson, Hyssna (SE); **Bo Sandström**, Mullsjö (SE); **Marcus Kragner**, Huskvarna (SE)

(73) Assignee: **Aktiebolaget Electrolux**, Stockholm (SE)

(**) Term: **14 Years**

(21) Appl. No.: **29/156,469**

(22) Filed: **Mar. 1, 2002**

(51) **LOC (7) Cl.** **08-01**

(52) **U.S. Cl.** **D8/8; D8/61; D8/83**

(58) **Field of Search** D8/8, 70, 67, 83,
D8/107, 303, 61; D15/18, 16; 81/177.1,
177.4; 30/370, 276, 347; 56/239, 249, 255,
289, 295; D12/179; D13/168, 169; D14/412

(56) **References Cited**

U.S. PATENT DOCUMENTS

D297,906 S * 10/1988 Abelson et al. D8/8

D332,455 S * 1/1993 Whetsel D15/18
D372,053 S * 7/1996 Couch et al. D14/412
D380,658 S * 7/1997 Bruno et al. D8/61
D389,706 S * 1/1998 Haberlein et al. D8/8
D413,784 S * 9/1999 Tsai D8/107
D446,100 S * 8/2001 Heun D8/61

* cited by examiner

Primary Examiner—Pamela Burgess

(74) *Attorney, Agent, or Firm*—Pearne & Gordon LLP

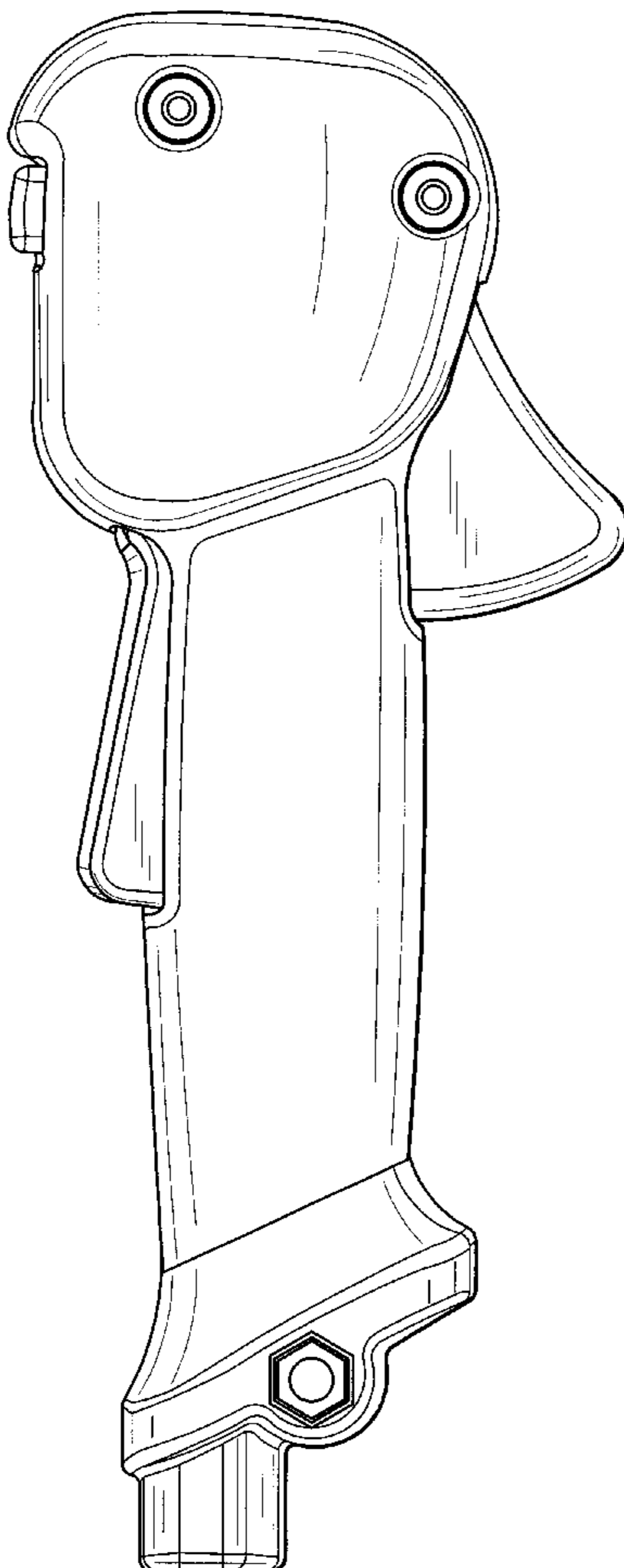
(57) **CLAIM**

The ornamental design for a handle, as shown and described.

DESCRIPTION

FIG. 1 is a front elevational view of a handle showing our new design;
FIG. 2 is a right side view thereof;
FIG. 3 is a left side view thereof;
FIG. 4 is a rear elevational view thereof;
FIG. 5 is a perspective view thereof;
FIG. 6 is a bottom plan view thereof; and,
FIG. 7 is a top plan view thereof.

1 Claim, 7 Drawing Sheets



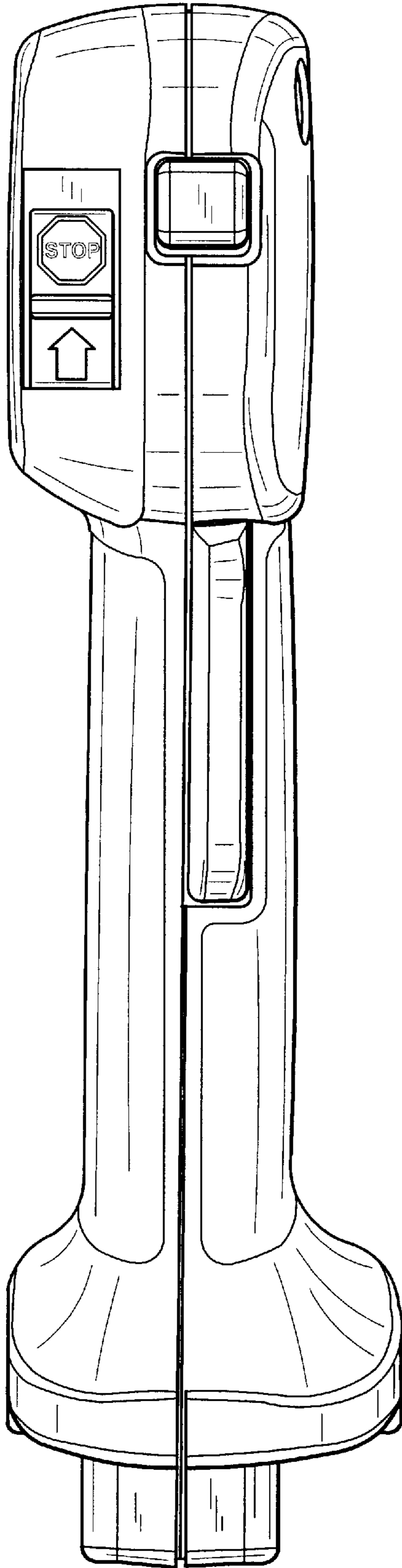


FIG. 1

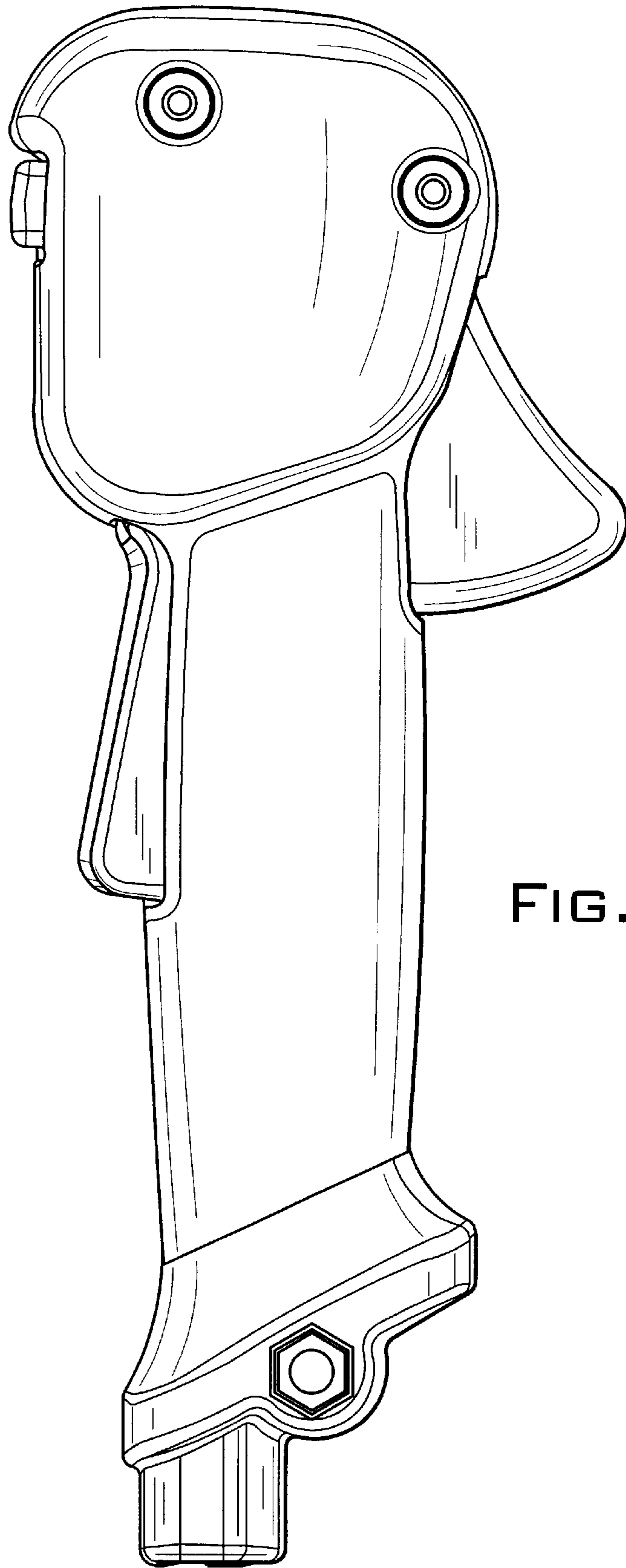


FIG. 2

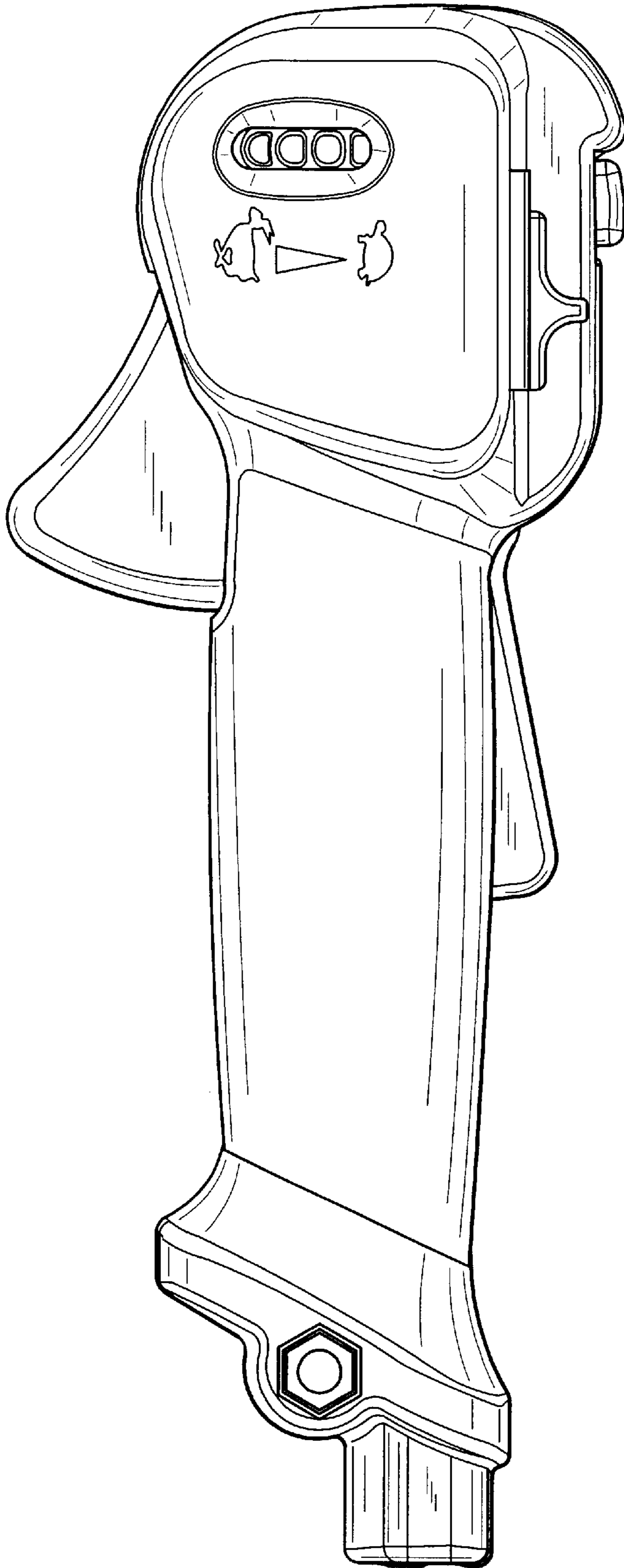


FIG. 3

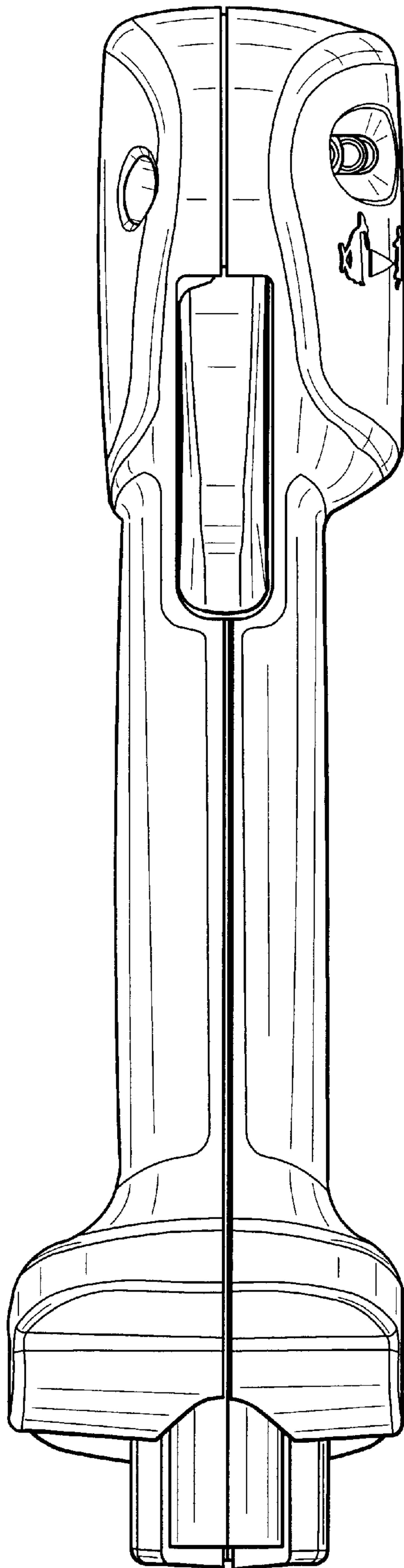


FIG. 4

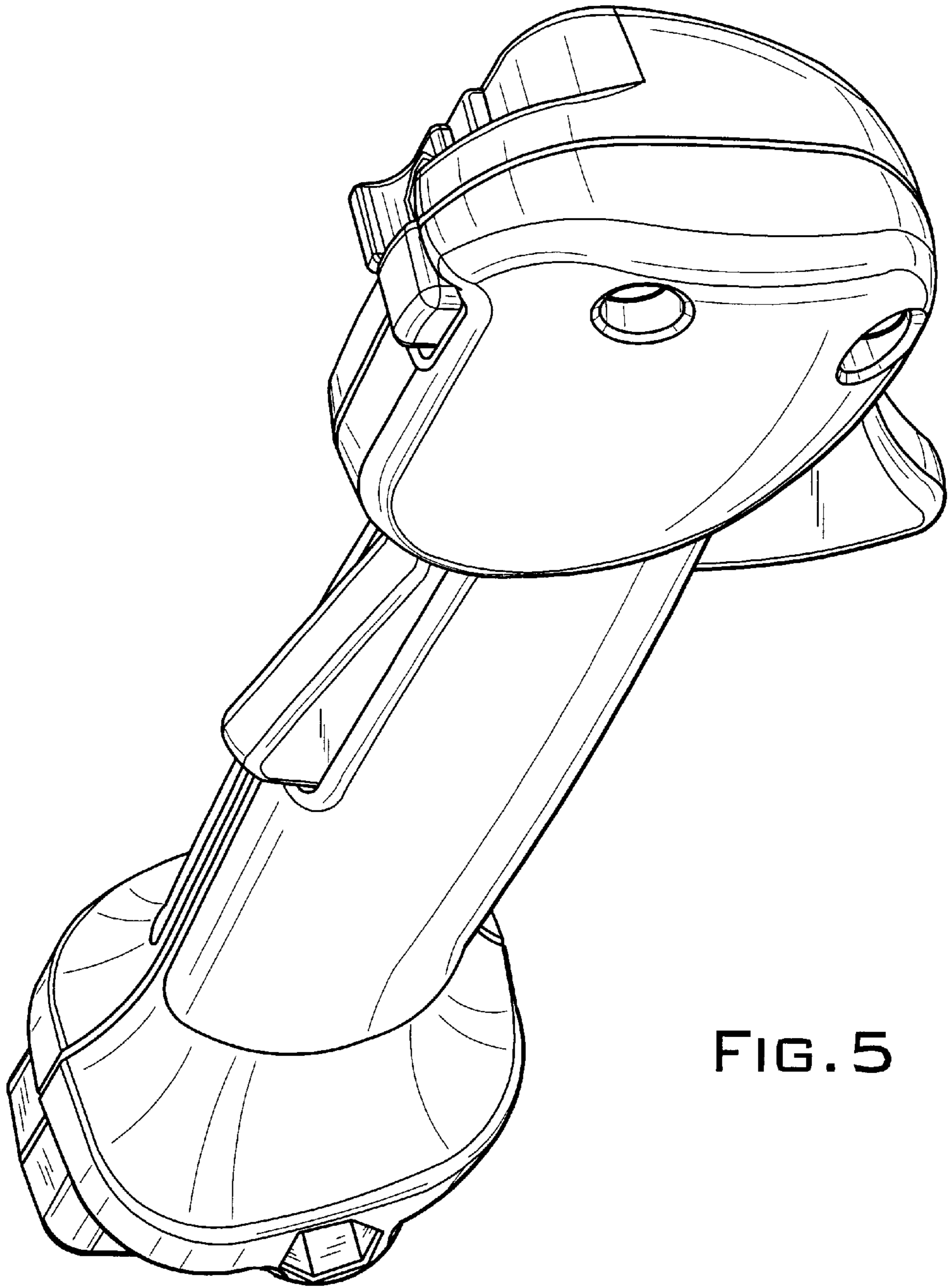


FIG. 5

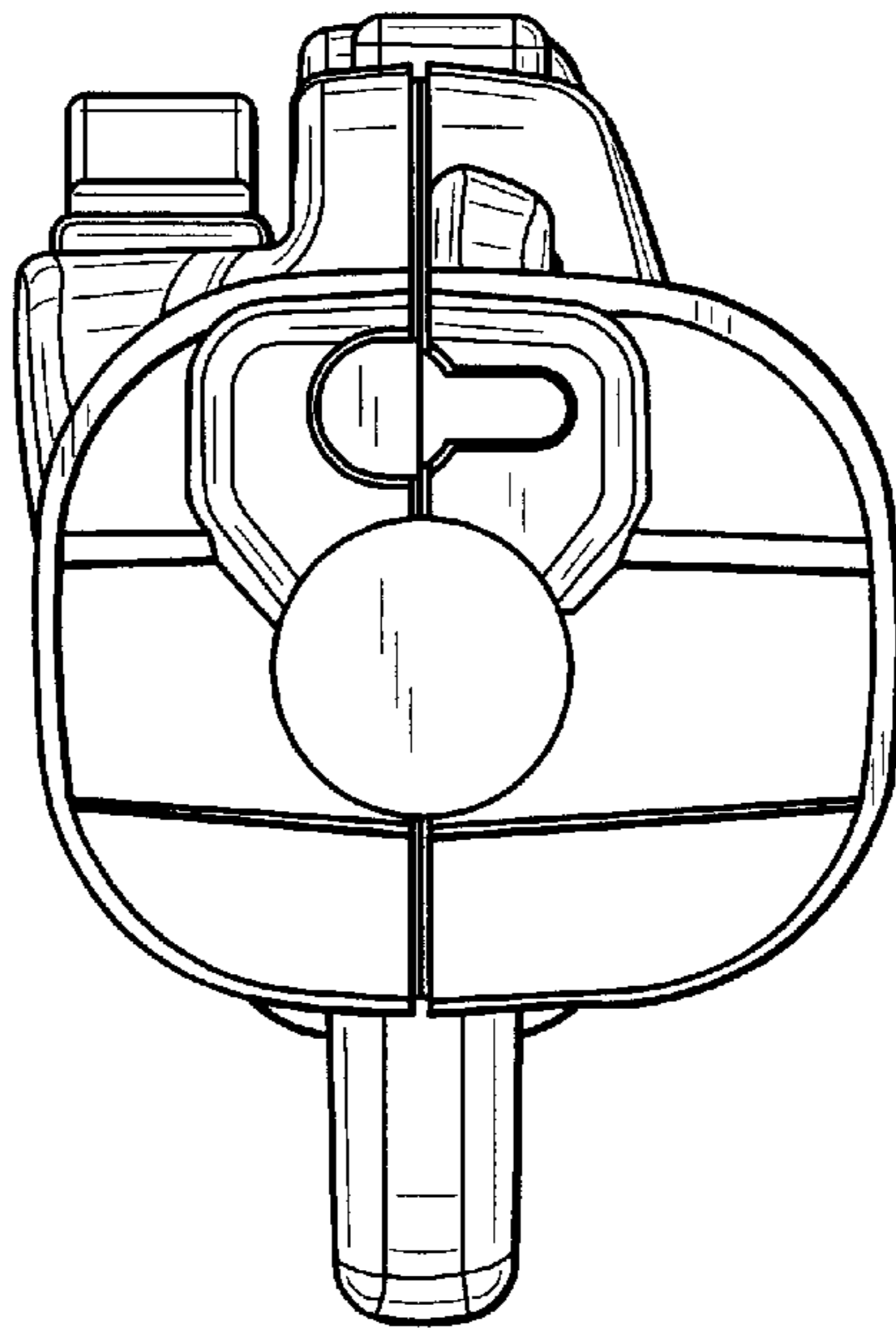


FIG. 6

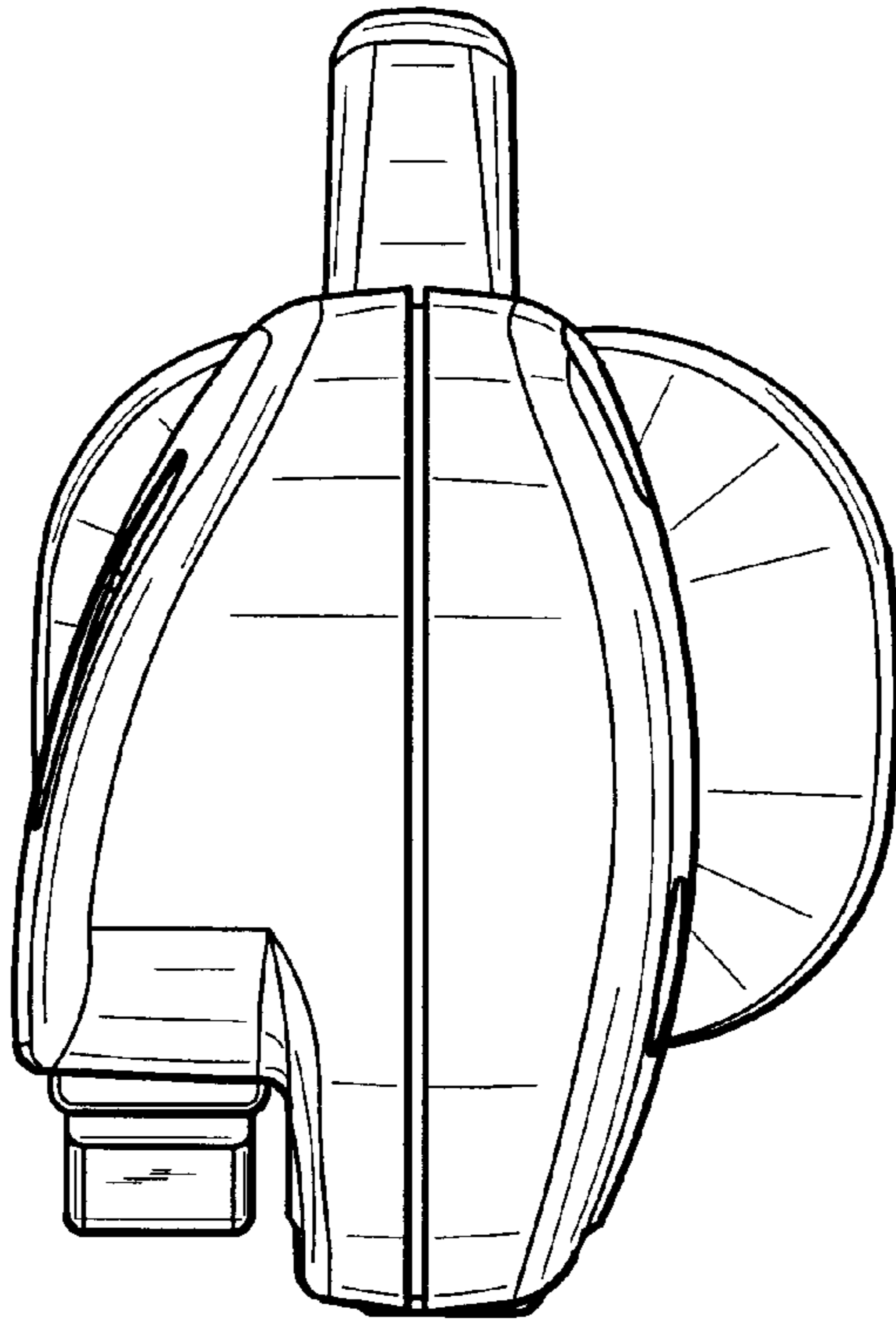


FIG. 7