



US00D487215S

(12) **United States Design Patent**
Watkins

(10) **Patent No.:** **US D487,215 S**

(45) **Date of Patent:** **** Mar. 2, 2004**

(54) **CABINET FOR DISPENSING BEVERAGES**

(75) **Inventor:** **Cuan Hedley Watkins**, Kwa Zulu Natal (ZA)

(73) **Assignee:** **Digitot (PTY) Limited**, Kwa Zulu Natal (ZA)

(**) **Term:** **14 Years**

(21) **Appl. No.:** **29/169,053**

(22) **Filed:** **Nov. 27, 2002**

(51) **LOC (7) Cl.** **07-01**

(52) **U.S. Cl.** **D7/397; D7/307; D7/308**

(58) **Field of Search** **D7/307, 308, 306, D7/300, 397, 398; 141/311 R; 222/566; D23/238**

(56) **References Cited**

U.S. PATENT DOCUMENTS

D218,083 S * 7/1970 Hartley D7/308
D269,516 S * 6/1983 Kiser D7/308

D281,568 S * 12/1985 Bruffey, Jr. et al. D7/308
4,658,872 A * 4/1987 Ellis 141/311 R
D301,193 S * 5/1989 Schechter et al. D7/308
D312,021 S * 11/1990 Mohat D7/308
D320,524 S * 10/1991 Schechter D7/308
D442,417 S * 5/2001 Jones et al. D7/307
D462,225 S * 9/2002 Kyees et al. D7/307
D465,119 S * 11/2002 Strandell et al. D7/307

* cited by examiner

Primary Examiner—M. N. Pandozzi

(74) *Attorney, Agent, or Firm*—Young & Thompson

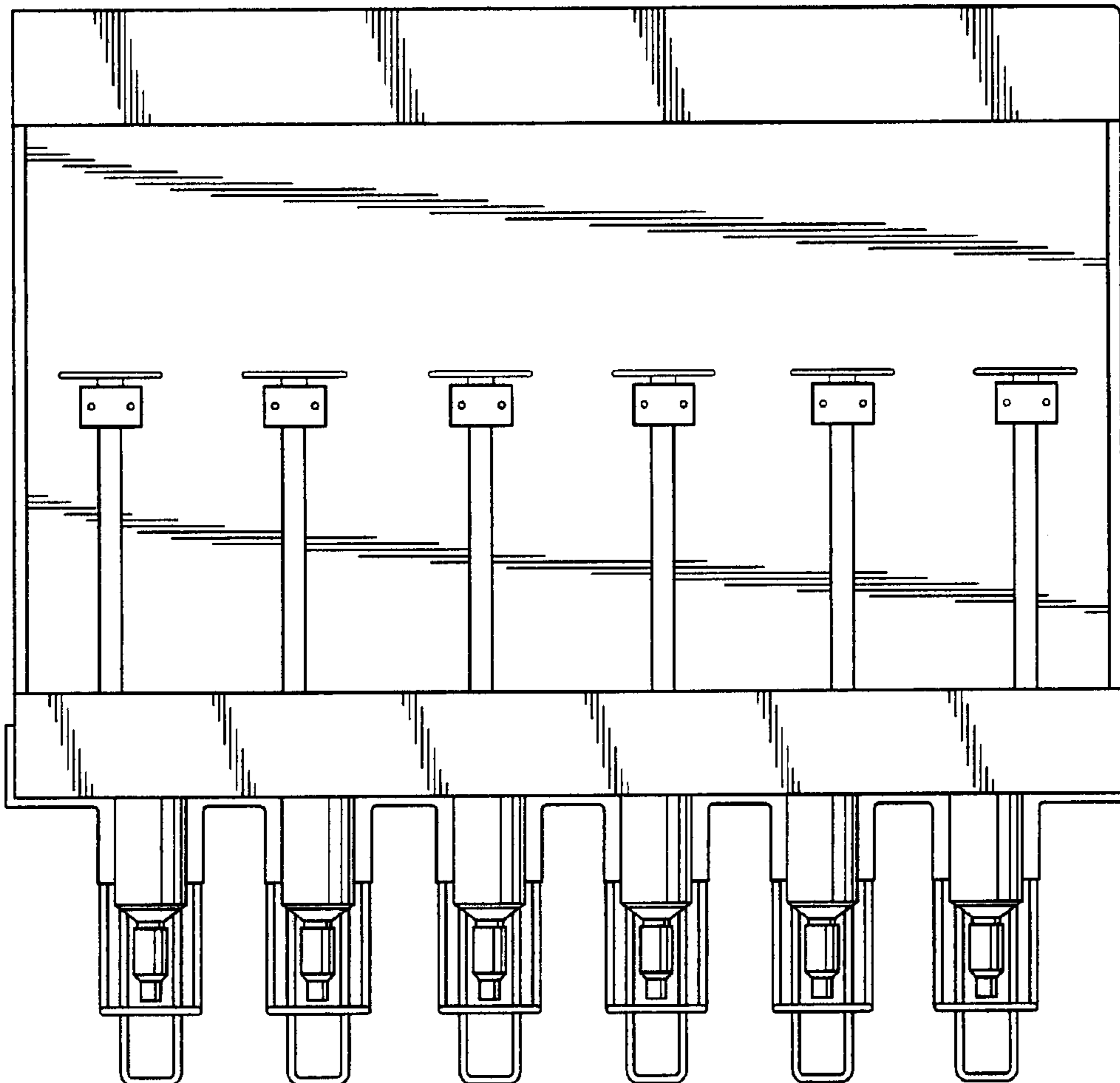
(57) **CLAIM**

The ornamental design for a cabinet for dispensing beverages, as shown and described.

DESCRIPTION

FIG. 1 is a front view of a cabinet for dispensing beverages showing my new design; FIG. 2 is an isometric view; and, FIG. 3 is a side view.

1 Claim, 3 Drawing Sheets



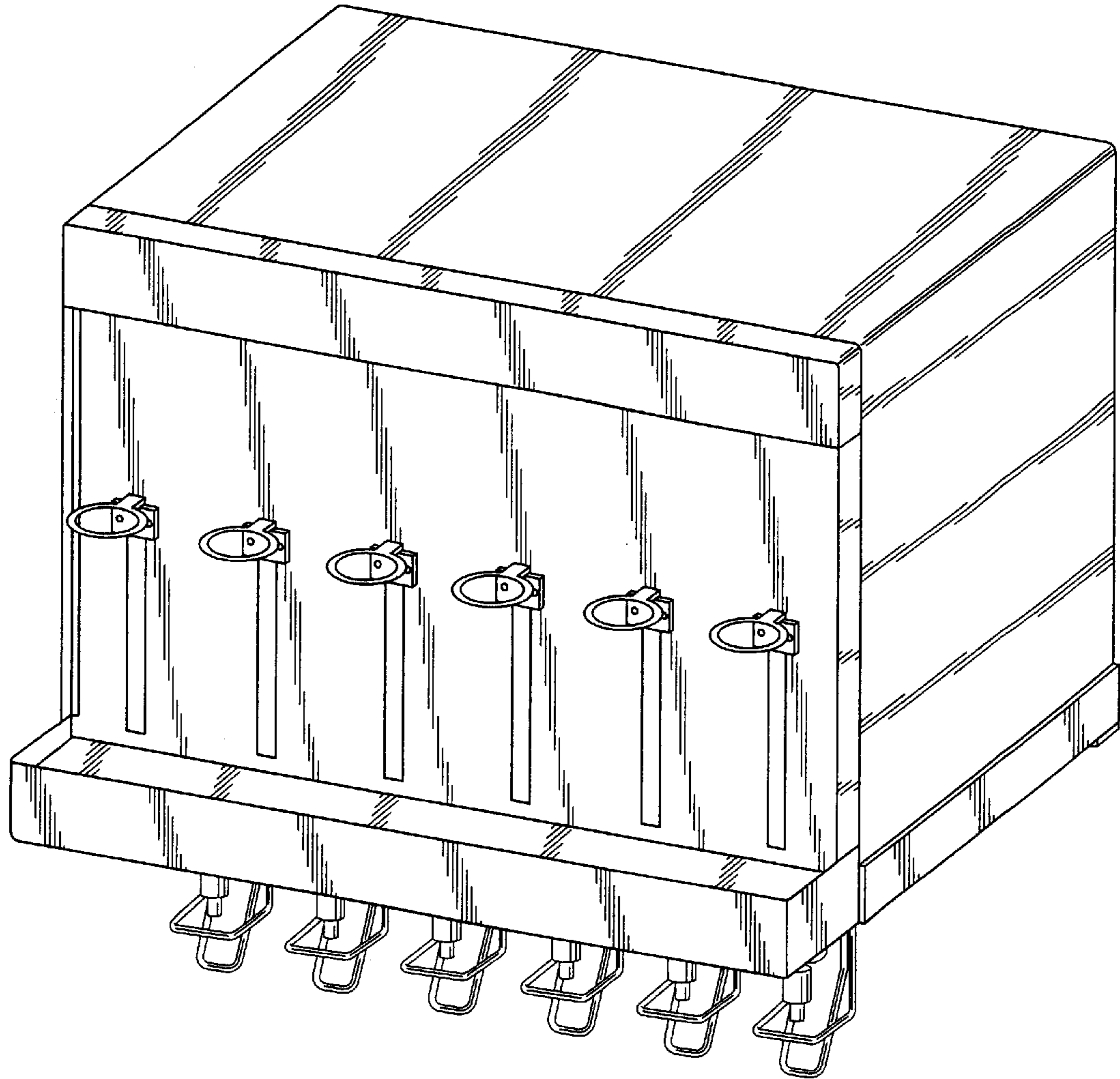


FIG. 1

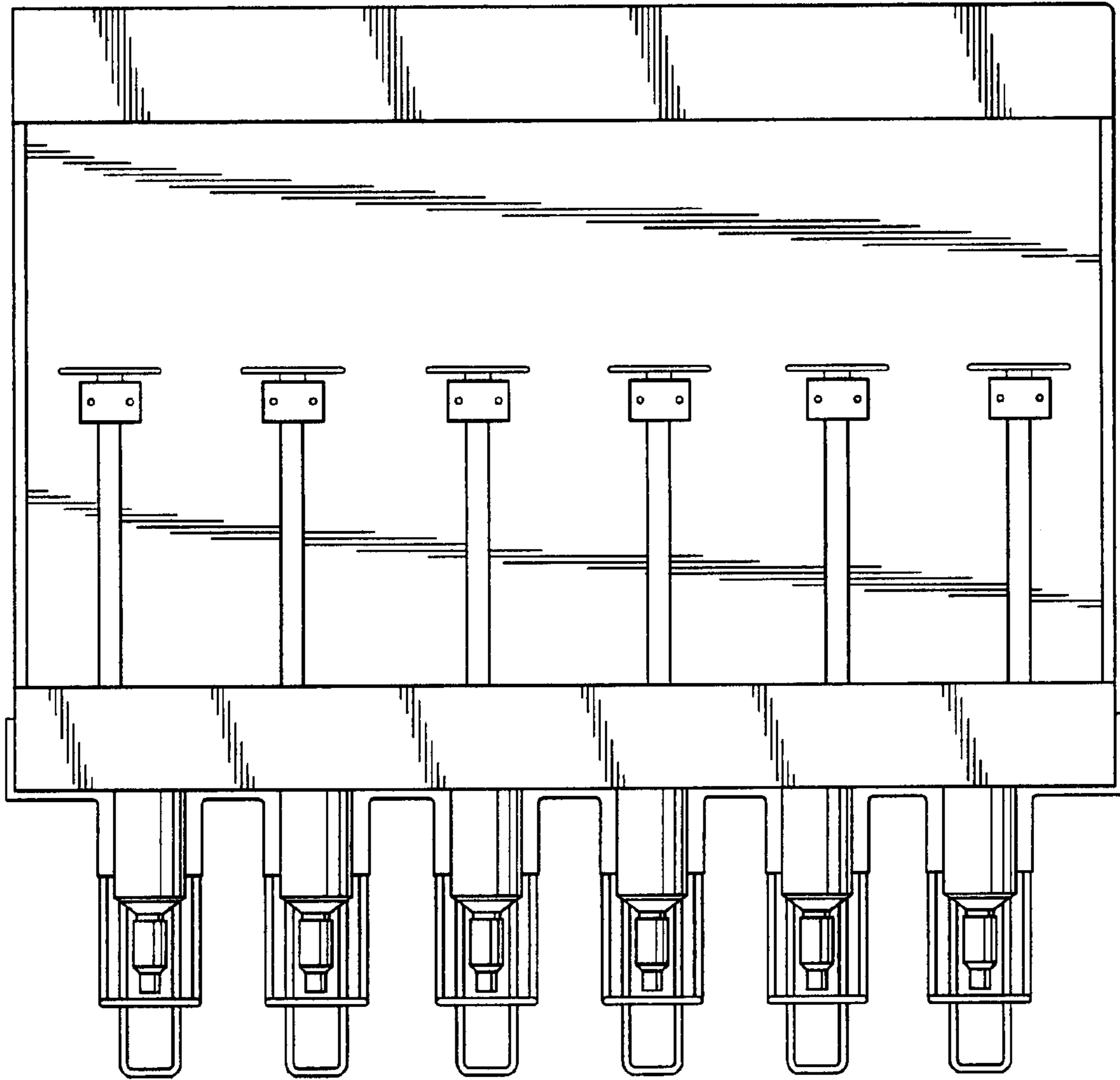


FIG. 2

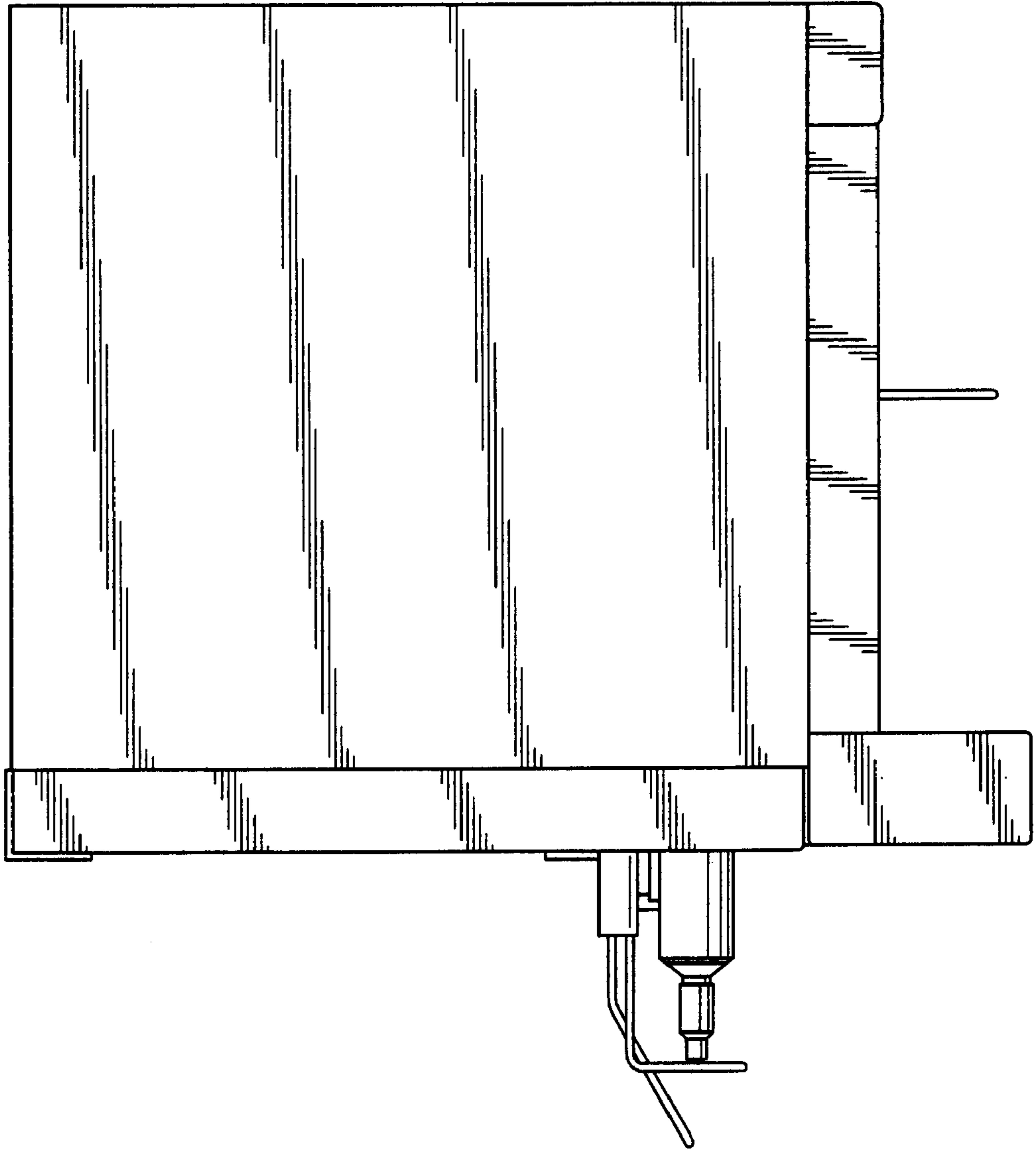


FIG. 3