



US00D487213S

(12) **United States Design Patent**  
**Boyle et al.**

(10) **Patent No.:** **US D487,213 S**

(45) **Date of Patent:** **\*\* Mar. 2, 2004**

(54) **BLENDER**

(75) Inventors: **Kenneth C. Boyle**, Newton, IA (US);  
**Annette D. Bravard**, Pleasant Hill, IA  
(US); **John C. Thomas**, Newton, IA  
(US); **Joshua D. Dickman**, Powell, OH  
(US); **Brian K. Linstedt**, Ostrander,  
OH (US)

(73) Assignee: **Maytag Corporation**, Newton, IA (US)

(\*\*) Term: **14 Years**

(21) Appl. No.: **29/183,098**

(22) Filed: **Jun. 5, 2003**

(51) **LOC (7) Cl.** ..... **31-00**

(52) **U.S. Cl.** ..... **D7/378**

(58) **Field of Search** ..... D7/376-386, 312-322;  
241/30, 33, 37.5, 101.01-101.2, 274, 275;  
366/64-67, 197-207, 241-254, 341

(56) **References Cited**

**U.S. PATENT DOCUMENTS**

- D373,504 S \* 9/1996 Leverrier ..... D7/378
- 5,567,049 A 10/1996 Beaudet et al.
- 5,636,923 A 6/1997 Nejat-Bina
- D400,757 S \* 11/1998 Hippen et al. .... D7/378
- D412,809 S \* 8/1999 Toro et al. .... D7/378
- D439,797 S \* 4/2001 Planca et al. .... D7/378
- D448,967 S \* 10/2001 Planca et al. .... D7/378

- D453,279 S \* 2/2002 Huang ..... D7/318
- 6,402,365 B1 6/2002 Wong
- D465,127 S \* 11/2002 Lee ..... D7/378
- 2002/0176320 A1 11/2002 Wulf et al.

**FOREIGN PATENT DOCUMENTS**

GB 2073937 \* 4/1998

\* cited by examiner

*Primary Examiner*—Caron D. Veynar

(74) *Attorney, Agent, or Firm*—McKee Voorhees & Sease,  
P.L.C.

(57) **CLAIM**

The ornamental design for a blender, substantially as shown.

**DESCRIPTION**

FIG. 1 is a perspective view of the blender of the present invention.

FIG. 2 is a front elevation view of the blender.

FIG. 3 is a rear elevation view of the blender.

FIG. 4 is a side elevation view of the blender.

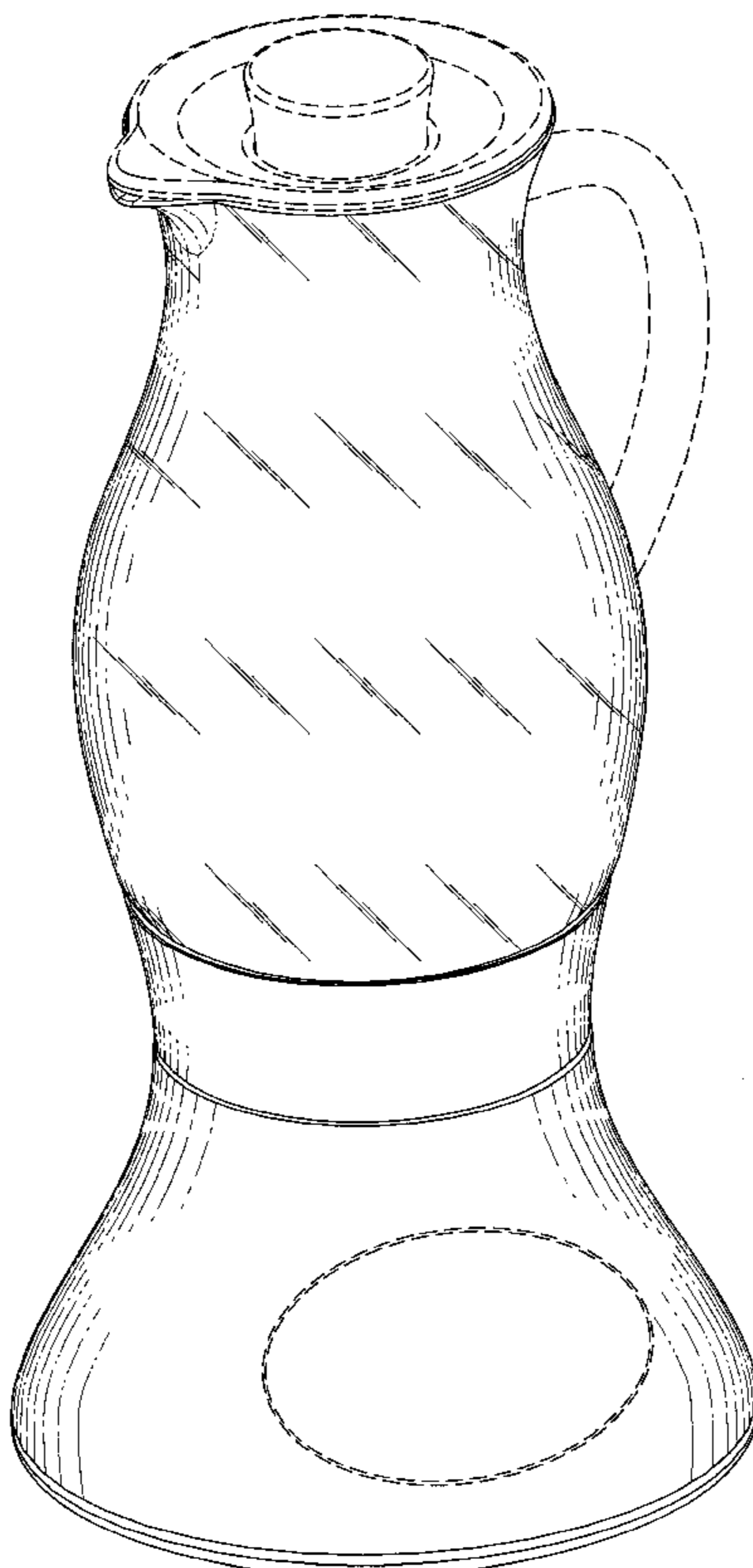
FIG. 5 is a side elevation view of the blender from the opposite side as shown in FIG. 4.

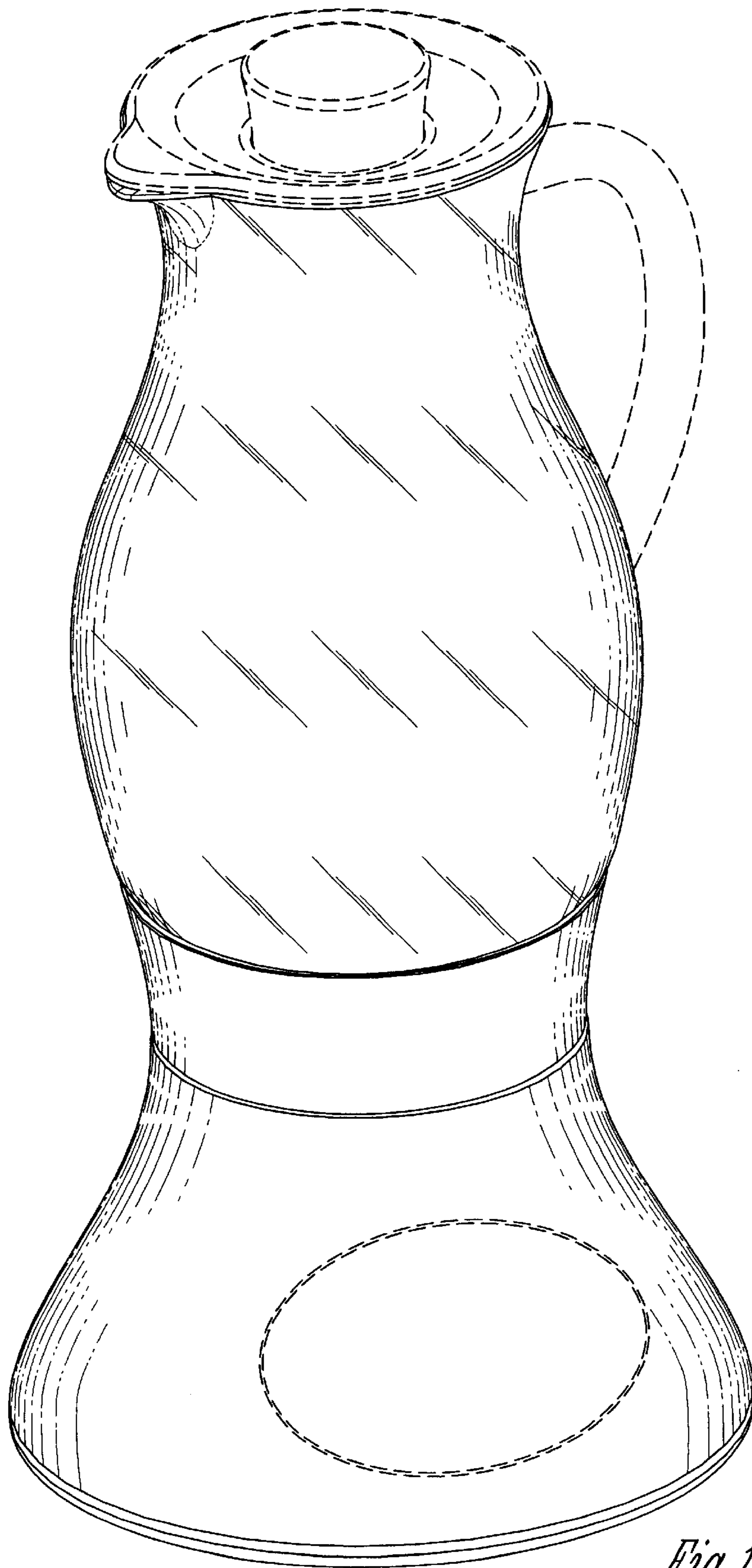
FIG. 6 is a top view of the blender; and,

FIG. 7 is a bottom view of the blender.

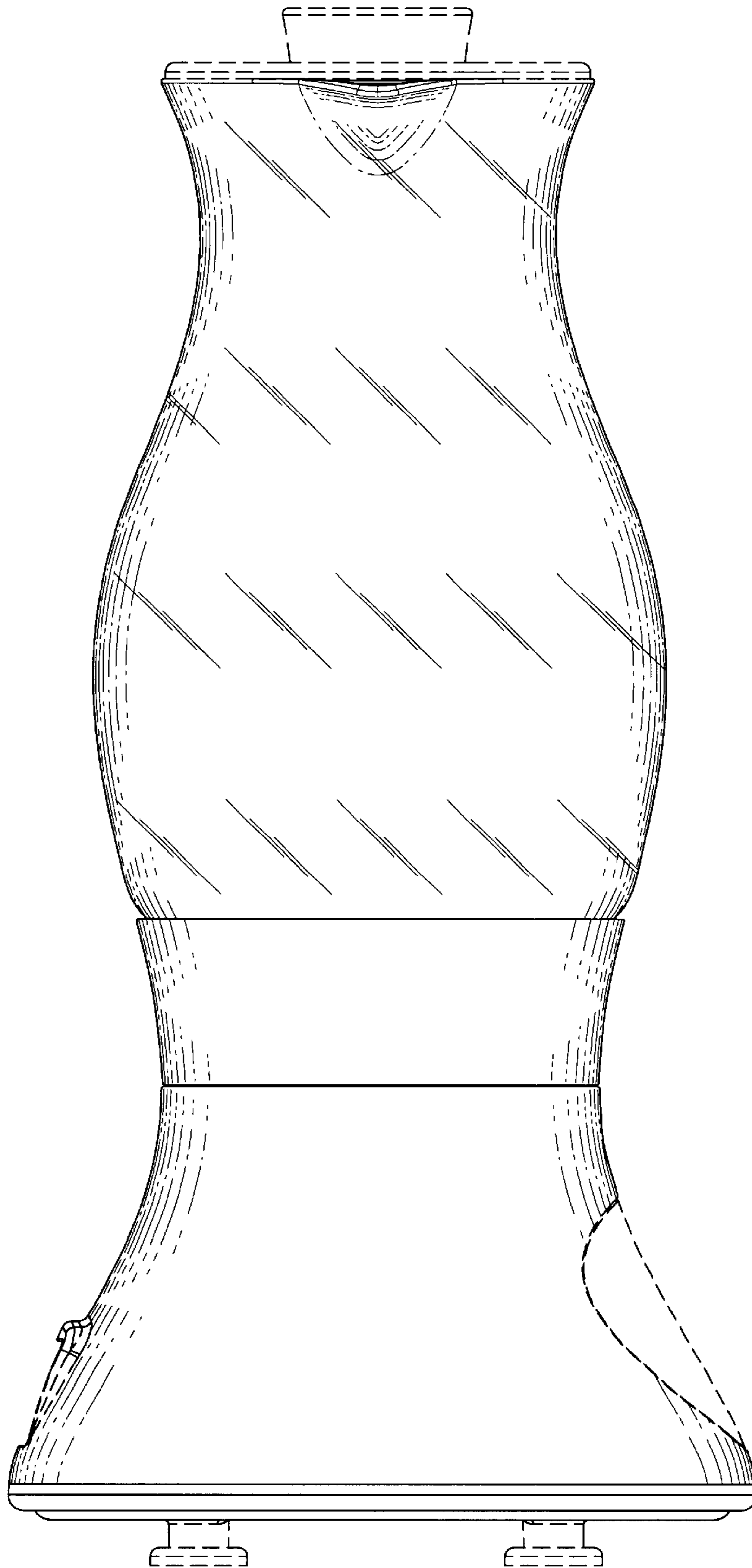
The features shown in broken lines form no part of the claimed invention.

**1 Claim, 6 Drawing Sheets**

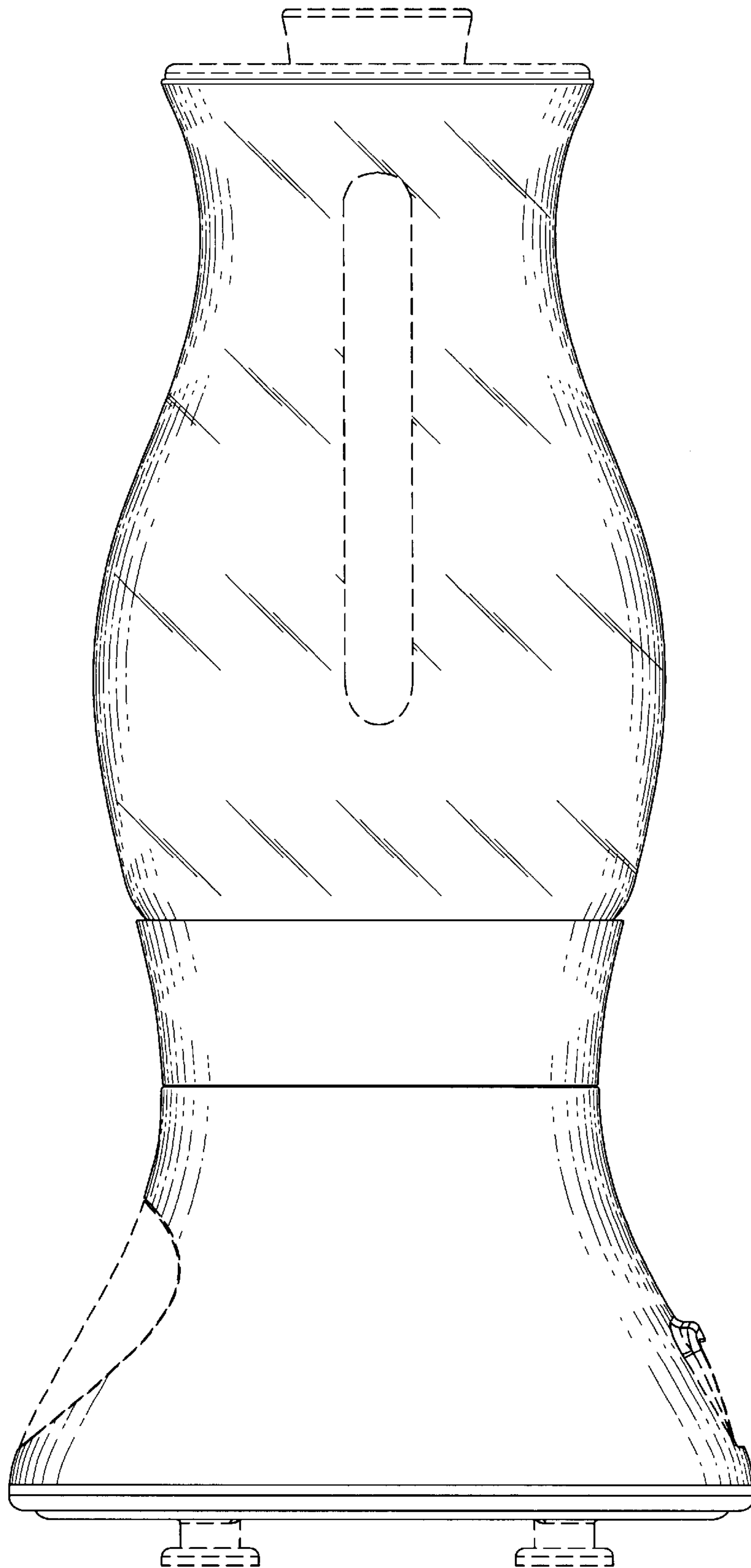




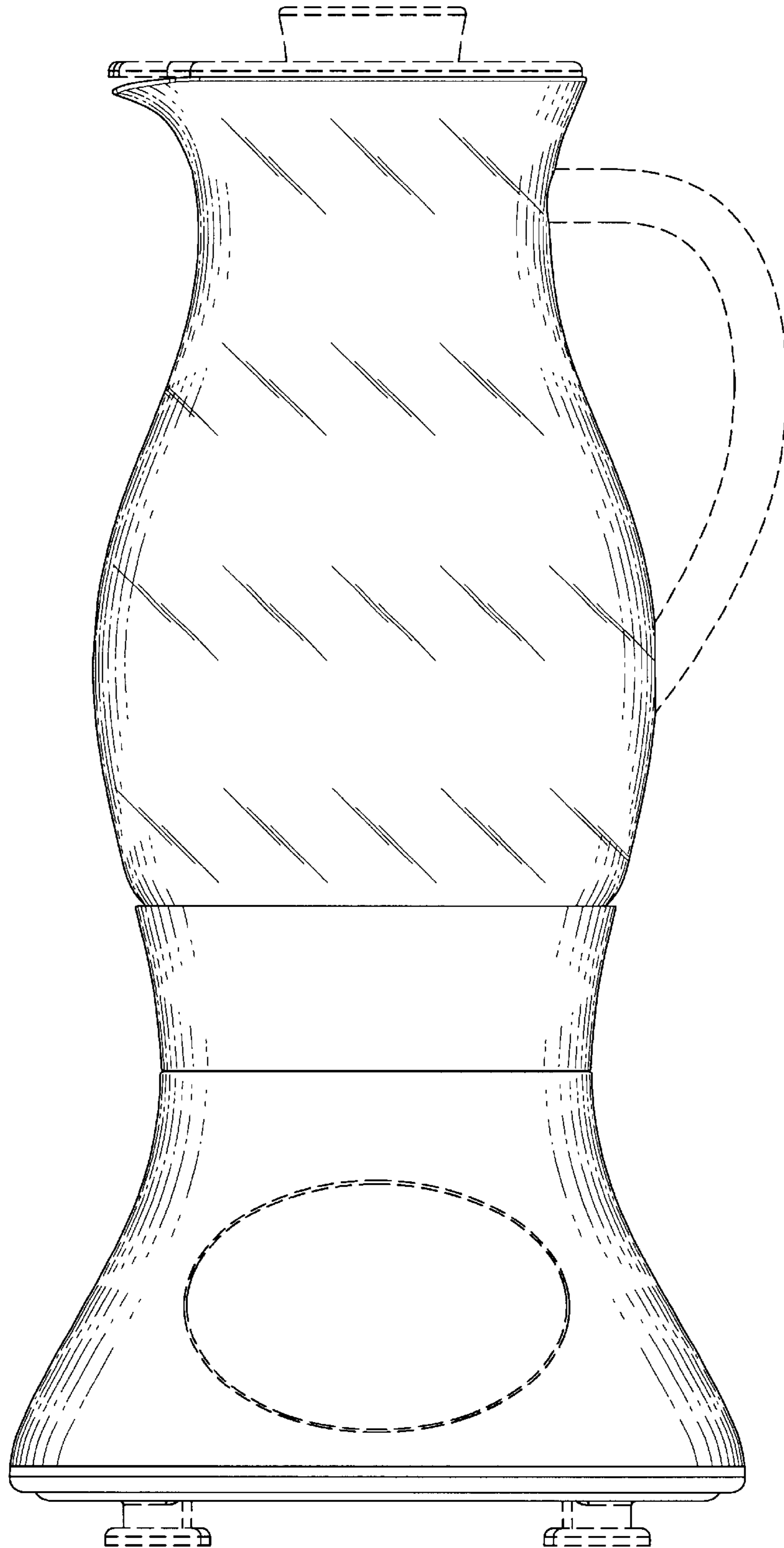
*Fig. 1*



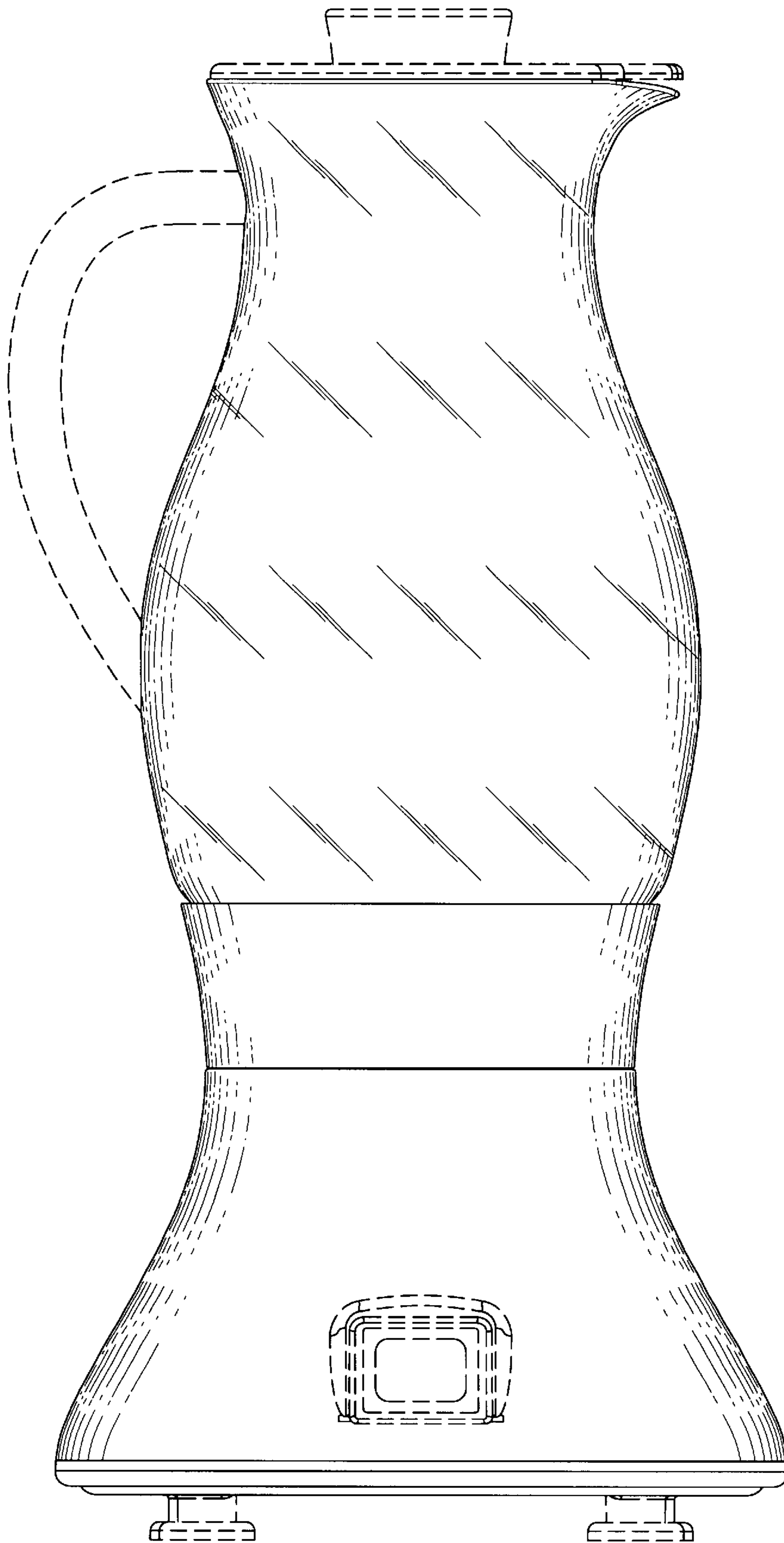
*Fig. 2*



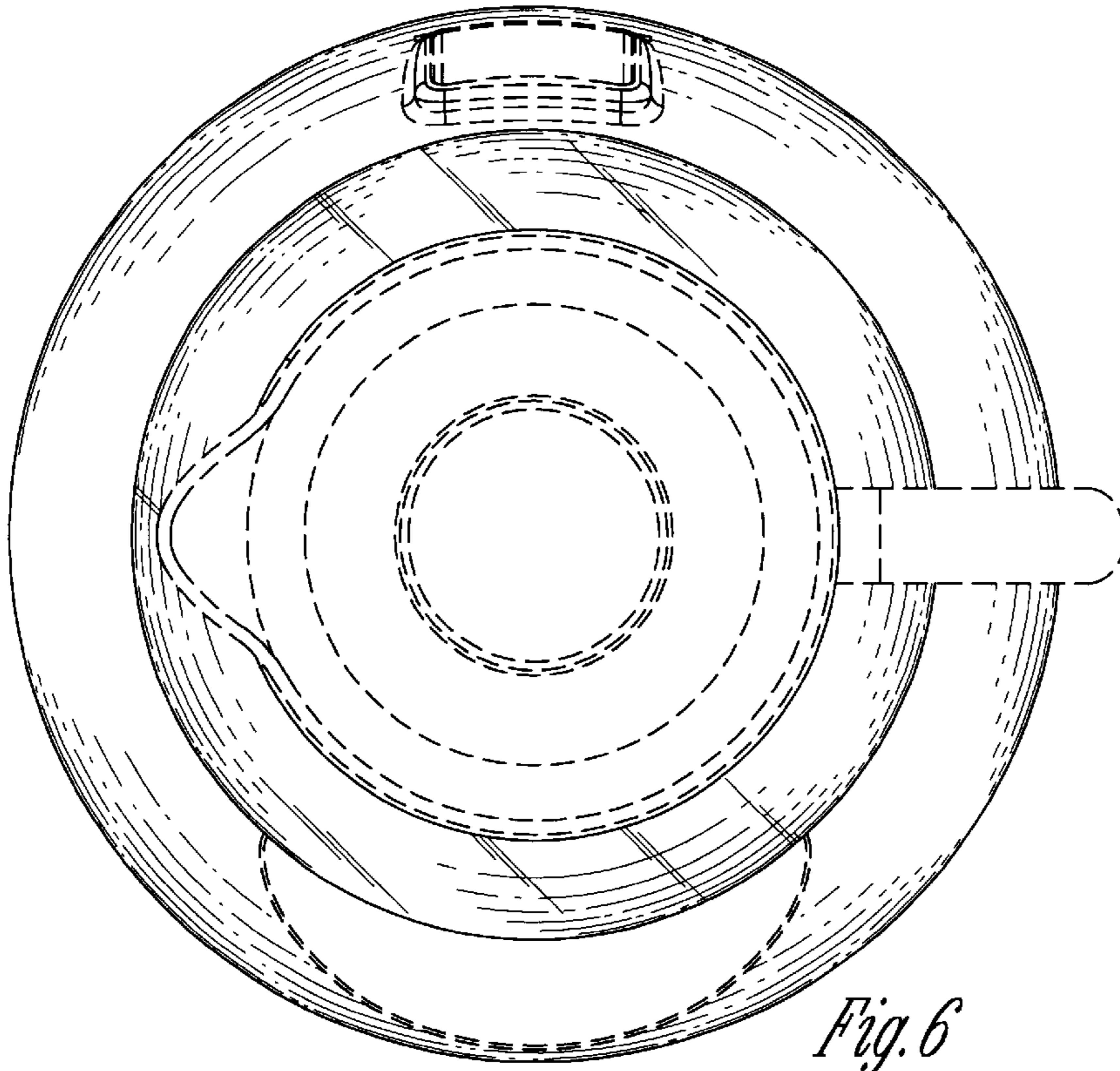
*Fig. 3*



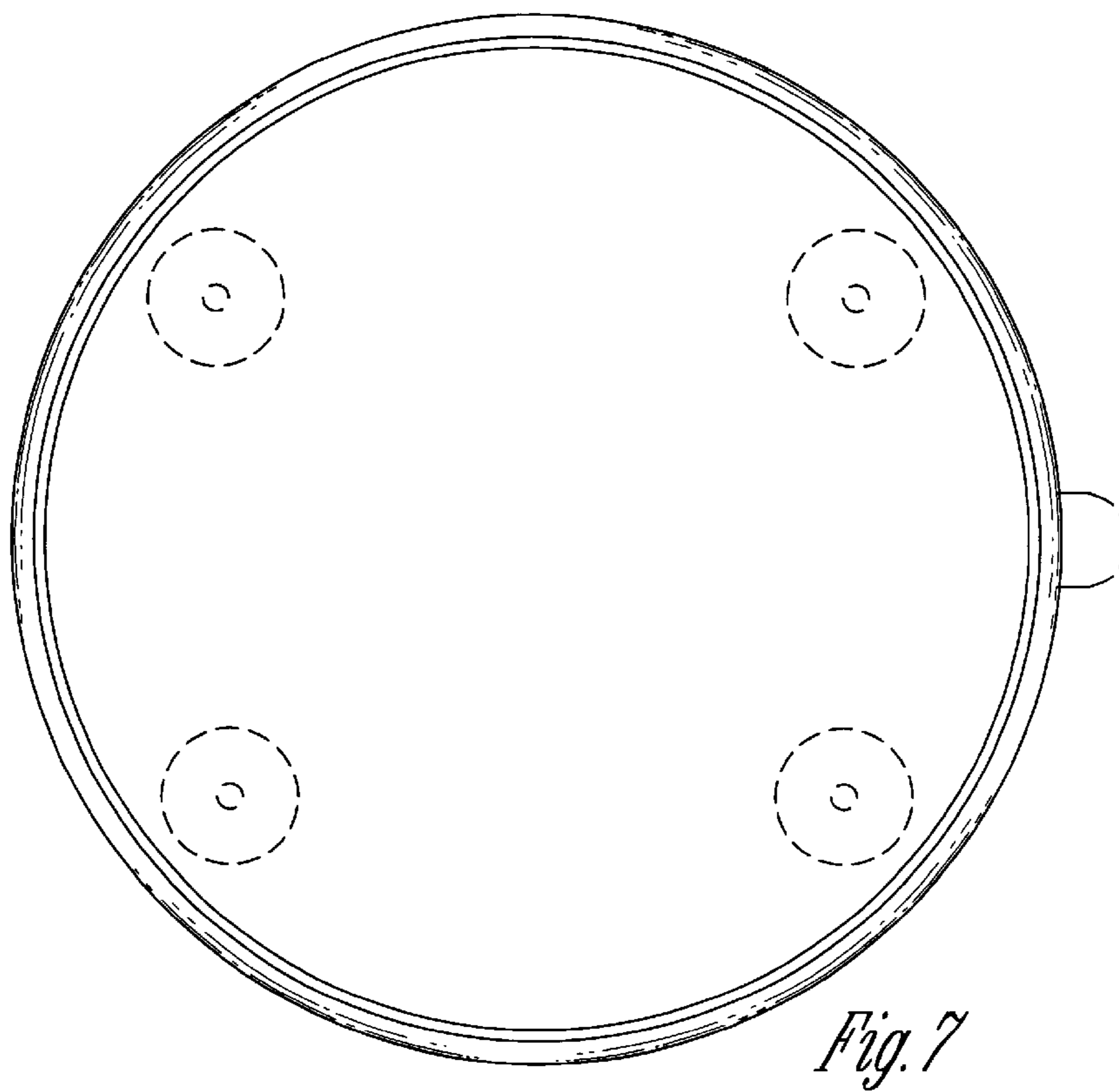
*Fig. 4*



*Fig. 5*



*Fig. 6*



*Fig. 7*