



US00D487210S

(12) **United States Design Patent**  
**Isler et al.**

(10) **Patent No.:** **US D487,210 S**  
(45) **Date of Patent:** **\*\* Mar. 2, 2004**

(54) **BAKING CONTAINER**

(75) Inventors: **Letsa R. Isler**, Waukegan, IL (US);  
**Matthew A. McCurdy**, Marysville, OH  
(US); **David J. Bulcher**, Powell, OH  
(US); **David C. Schiltz**, Columbus, OH  
(US)

(73) Assignee: **Pactiv Corporation**, Lake Forest, IL  
(US)

(\*\*) Term: **14 Years**

(21) Appl. No.: **29/179,801**

(22) Filed: **Apr. 15, 2003**

(51) **LOC (7) Cl.** ..... **07-02**

(52) **U.S. Cl.** ..... **D7/354**

(58) **Field of Search** ..... D7/354, 500, 543,  
D7/545, 560, 565, 566, 570, 323, 359,  
360, 672, 610; 220/57.3, 57.4, 912; 99/DIG. 15

D280,590 S	9/1985	Schrage	.....	D7/360
D280,591 S	9/1985	Schrage	.....	D7/360
D282,520 S	2/1986	Schrage	.....	D7/360
4,616,762 A	10/1986	Alexander	.....	220/74
4,623,088 A	11/1986	Holden	.....	229/2.5
D287,104 S	12/1986	Holden	.....	D9/425
D288,295 S	2/1987	Holden	.....	D9/425
4,742,934 A	5/1988	Michaud et al.	.....	220/306
D296,191 S	6/1988	Yoshida et al.	.....	D9/425
4,753,351 A	6/1988	Guillin	.....	206/520
D307,395 S	4/1990	Borst	.....	D9/428
5,050,791 A	9/1991	Bowden et al.	.....	229/2.5
D333,944 S	3/1993	Denzin et al.	.....	D7/554
5,204,179 A	4/1993	Baker et al.	.....	428/336
D348,608 S	7/1994	Wyslowsky	.....	D9/425
5,423,453 A	6/1995	Fritz	.....	220/608
5,515,993 A	5/1996	McManus	.....	220/339
D375,652 S	11/1996	Hayes	.....	D7/354
D382,796 S	8/1997	Mangla	.....	D9/429
D386,081 S	11/1997	Hayes et al.	.....	D9/425
D392,881 S	3/1998	Bulcher et al.	.....	D9/425
D392,884 S	3/1998	Hayes	.....	D9/431

(List continued on next page.)

(56) **References Cited**

**U.S. PATENT DOCUMENTS**

1,926,240 A	9/1933	Maas	.....	63/1
2,170,040 A	8/1939	Stuart	.....	53/6
3,082,900 A	3/1963	Goodman	.....	220/15
D197,584 S	2/1964	Neucher	.....	D58/12.6
3,154,215 A	10/1964	Vesconte	.....	220/97
3,191,796 A	6/1965	Schwartz et al.	.....	220/23.6
3,229,886 A	1/1966	Grogel	.....	229/3.5
3,233,812 A	2/1966	Kennedy	.....	229/2.5
3,253,762 A	5/1966	Gaunt	.....	229/2.5
D209,605 S	12/1967	Zoeller	.....	D44/1
D226,775 S	4/1973	Jones	.....	D7/2
3,811,560 A	5/1974	Schilling et al.	.....	206/4
3,840,115 A	10/1974	Ladewig	.....	206/506
D235,302 S	6/1975	Lanigan	.....	D7/1
D250,929 S	1/1979	Gerstman et al.	.....	D7/28
4,183,435 A	1/1980	Thompson et al.	.....	206/557
4,234,097 A	11/1980	Daenen	.....	220/4
4,294,371 A	10/1981	Davis	.....	220/4
D275,636 S	9/1984	Picozza	.....	D7/40
D276,216 S	11/1984	Michaud	.....	D9/425
D280,589 S	9/1985	Bassett	.....	D7/360

**OTHER PUBLICATIONS**

Ekcotherm Specification; 2 pages.

*Primary Examiner*—Lisa Lichtenstein

(74) *Attorney, Agent, or Firm*—Jenkins & Gilchrist

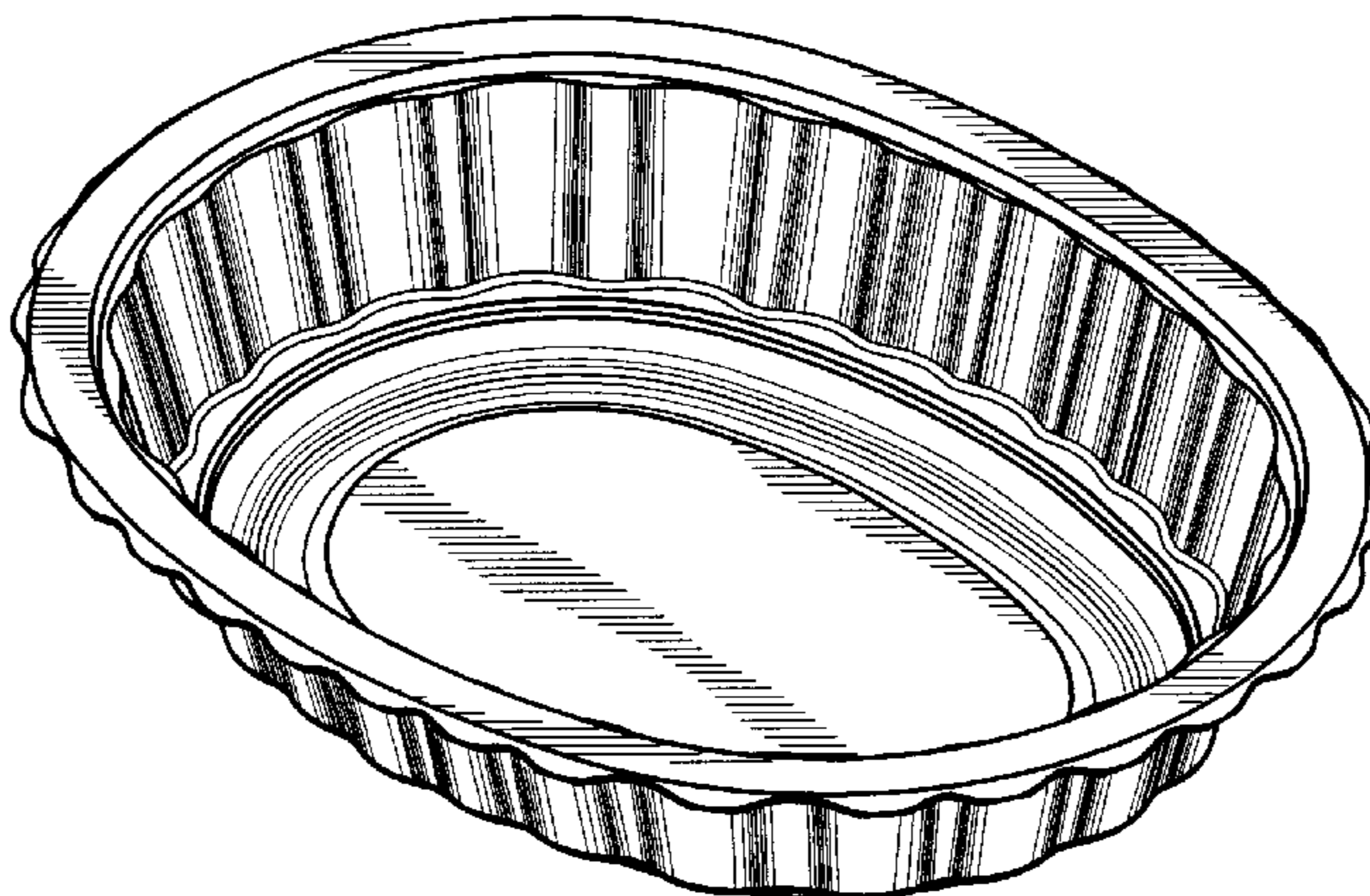
(57) **CLAIM**

The ornamental design for a baking container, as shown and described.

**DESCRIPTION**

FIG. 1 is a perspective view of a baking container.  
FIG. 2 is a top plan view of the baking container of FIG. 1.  
FIG. 3 is a bottom plan view of the baking container of FIG. 1.  
FIG. 4 is a side elevational view of the baking container of FIG. 1, the opposite side being identical thereto; and,  
FIG. 5 is an end elevational view of the baking container of FIG. 1, the opposite end being identical thereto.

**1 Claim, 1 Drawing Sheet**



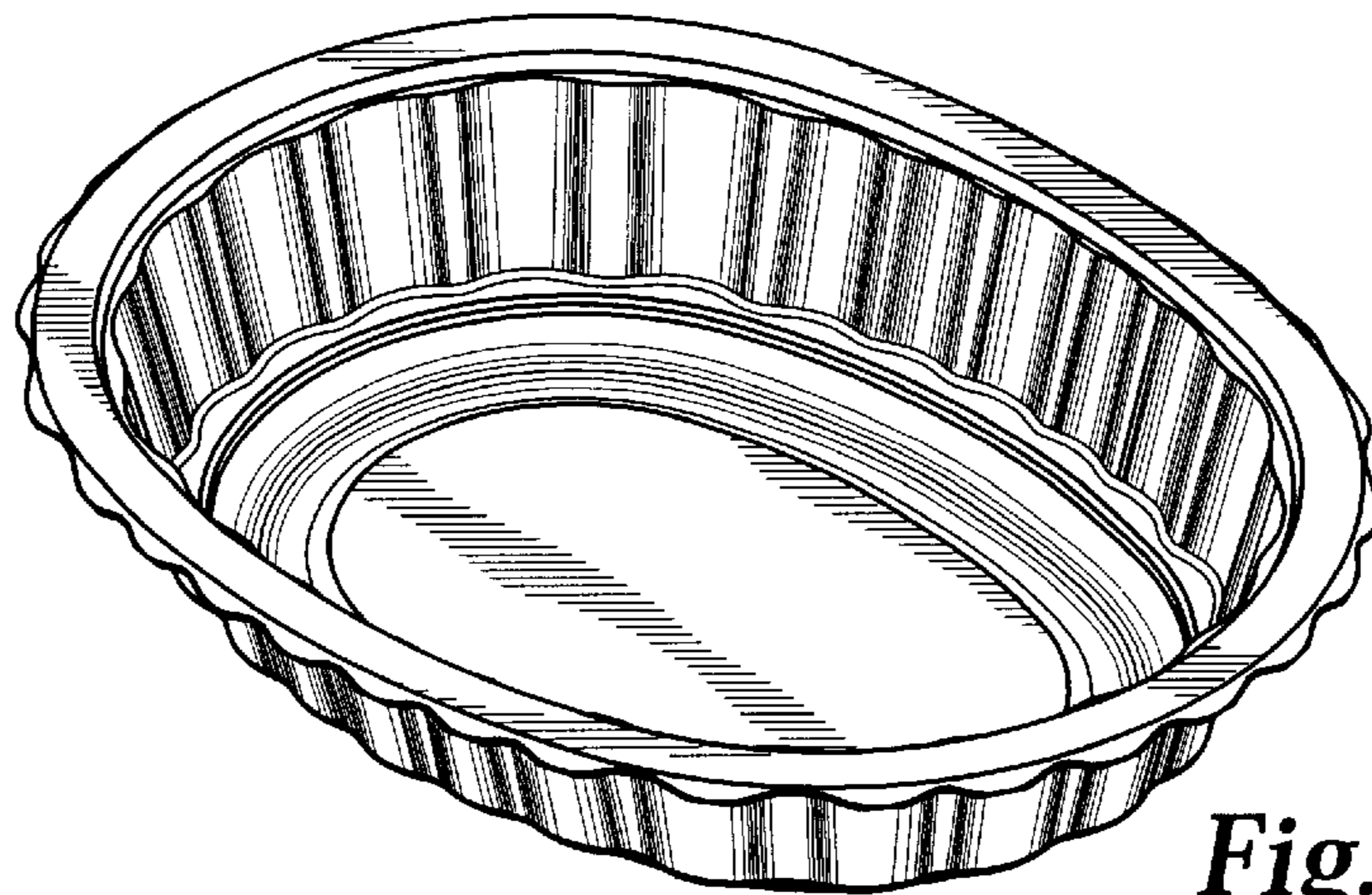
# US D487,210 S

Page 2

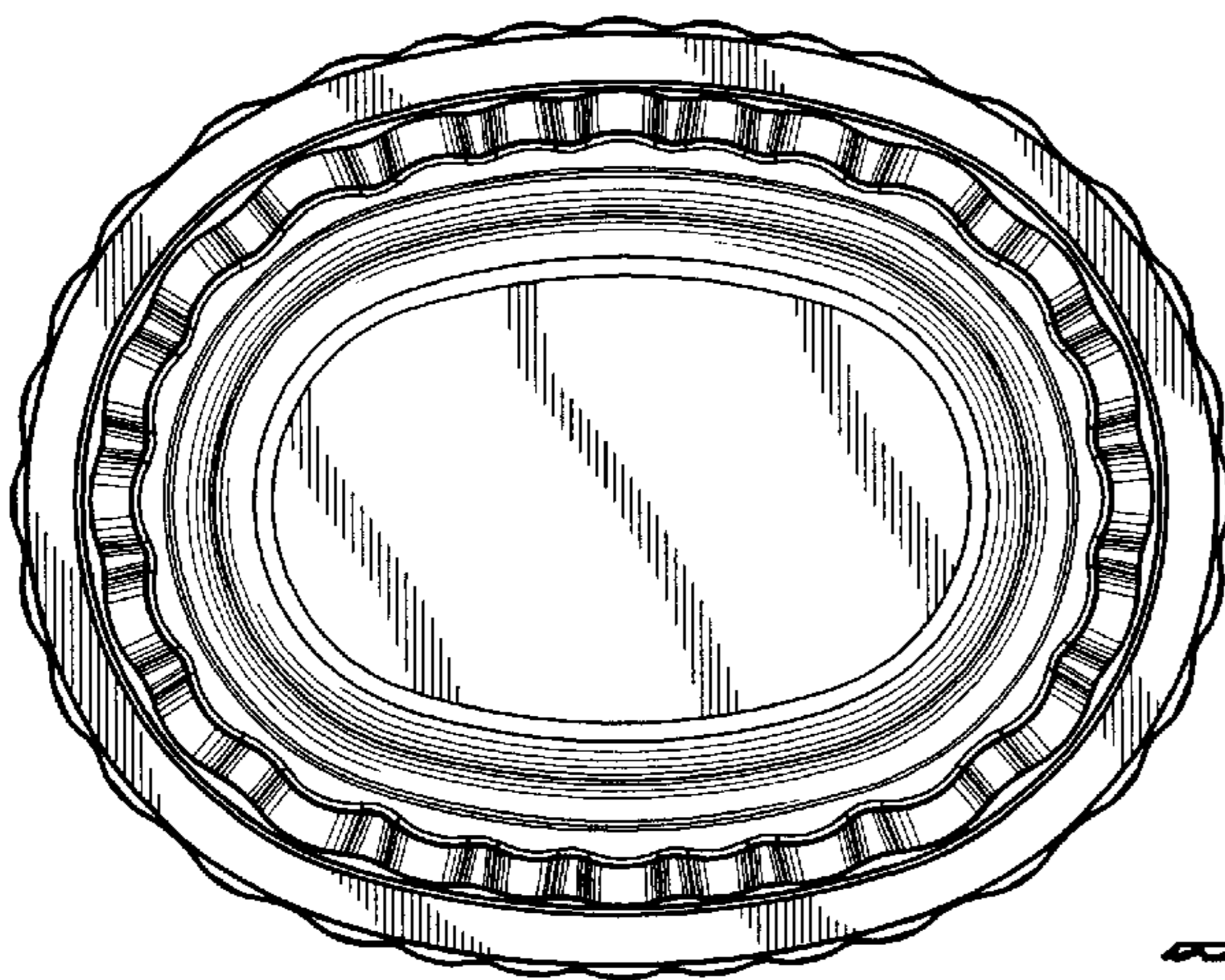
---

U.S. PATENT DOCUMENTS			
D404,257 S	1/1999	Indekeu .....	D7/585
D404,258 S	1/1999	Indekeu .....	D7/585
D404,614 S	1/1999	Indekeu .....	D7/588
D418,006 S	* 12/1999	DeCoster .....	D7/354
D429,961 S	8/2000	Harris .....	D7/540
6,149,053 A	11/2000	Chatterton et al. ....	229/407
D461,123 S	8/2002	Hayes et al. ....	D9/429
D475,579 S	* 6/2003	Jørgensen .....	D7/545

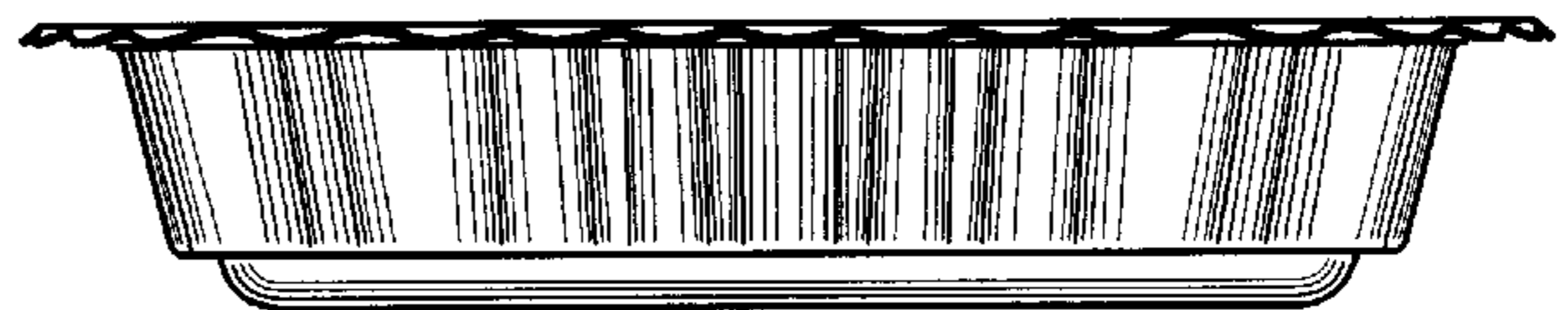
\* cited by examiner



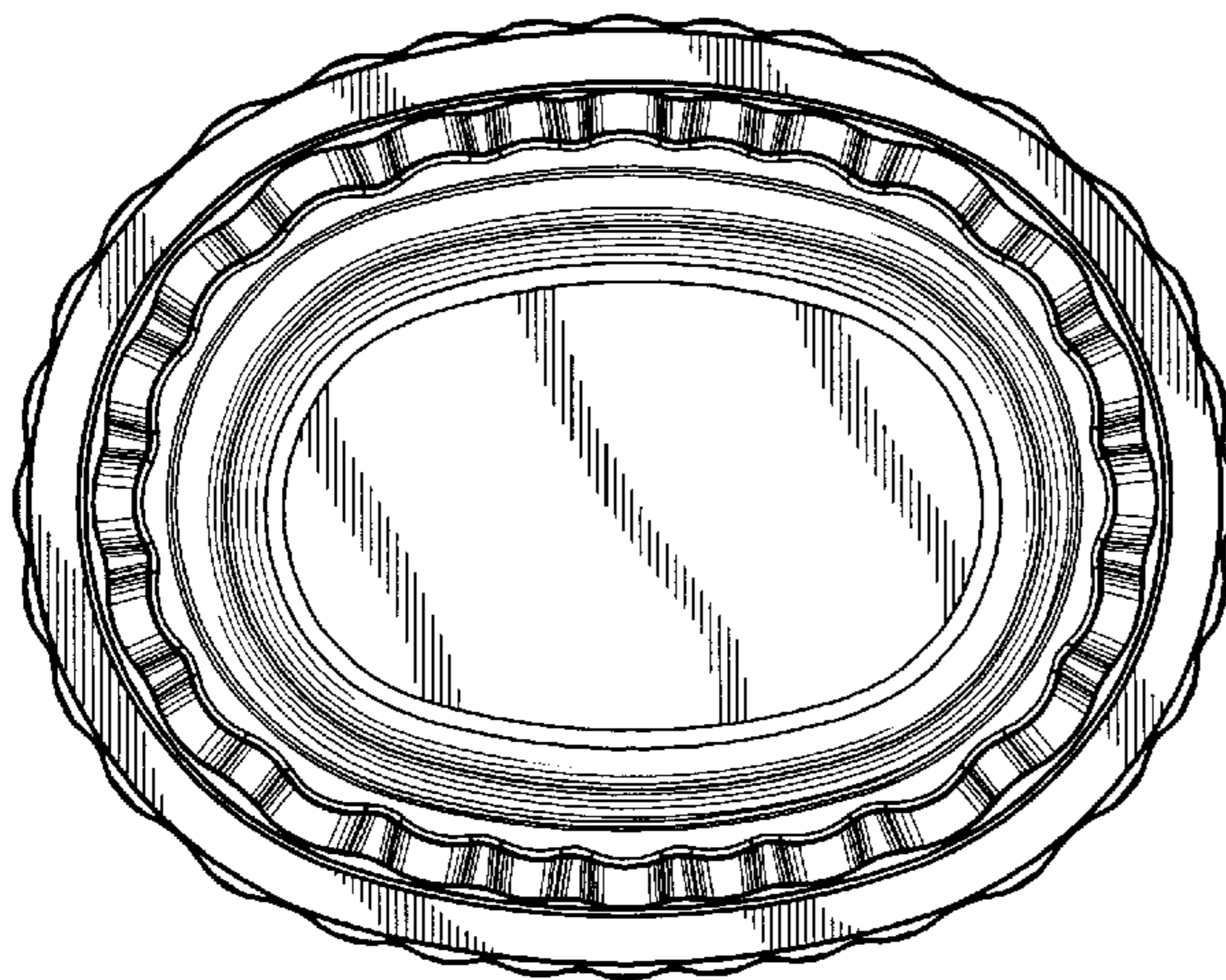
*Fig. 1*



*Fig. 2*



*Fig. 4*



*Fig. 3*



*Fig. 5*