



US00D487209S

(12) **United States Design Patent**
MacIntosh

(10) **Patent No.:** **US D487,209 S**

(45) **Date of Patent:** **** Mar. 2, 2004**

(54) **MOBILE BARBEQUE GRILLING UNIT**

(75) **Inventor:** **Ian Joseph MacIntosh, Toronto (CA)**

(73) **Assignee:** **Move Media, Inc. (CA)**

(**) **Term:** **14 Years**

(21) **Appl. No.:** **29/160,058**

(22) **Filed:** **May 3, 2002**

(30) **Foreign Application Priority Data**

Jan. 16, 2002 (CA) 2002-0134

(51) **LOC (7) Cl.** **07-02**

(52) **U.S. Cl.** **D7/334**

(58) **Field of Search** D7/332-337, 402-404;
126/25 R, 8, 9 R, 38, 41 R, 268, 276; 99/339,
421 R, 357

(56) **References Cited**

U.S. PATENT DOCUMENTS

D206,738 S	1/1967	Wilkinson	81/10
3,696,803 A	10/1972	Holloway, Jr.	126/276
4,108,055 A	* 8/1978	Simmons	99/421 H
D253,695 S	* 12/1979	Simmons	D7/334
D255,863 S	* 7/1980	Futch	D7/334
D265,374 S	* 7/1982	Hamilton, Jr.	D7/334
D284,256 S	* 6/1986	Moncrief	D7/334
D293,067 S	12/1987	Stephen et al.	D7/334
5,031,602 A	* 7/1991	Vick	126/25 R

D324,622 S	3/1992	Baynes et al.	D7/334
D325,490 S	* 4/1992	Dodgen	D7/334
D329,623 S	* 9/1992	Dodgen	D12/102
D329,624 S	* 9/1992	Dodgen	D12/102
D334,687 S	* 4/1993	Gongwer	D7/334
5,255,664 A	* 10/1993	Gurliacci	126/276
5,481,964 A	* 1/1996	Kitten	99/339
5,501,210 A	* 3/1996	Hoogmoed	126/276
D368,618 S	* 4/1996	Hoogmoed	D7/334
5,988,158 A	* 11/1999	Schmidt, Jr.	126/276
D433,279 S	11/2000	Schlosser et al.	D7/402

* cited by examiner

Primary Examiner—Ruth McInroy

(74) *Attorney, Agent, or Firm*—Gifford, Krass, Groh, Sprinkle, Anderson & Citkowski, P.C.

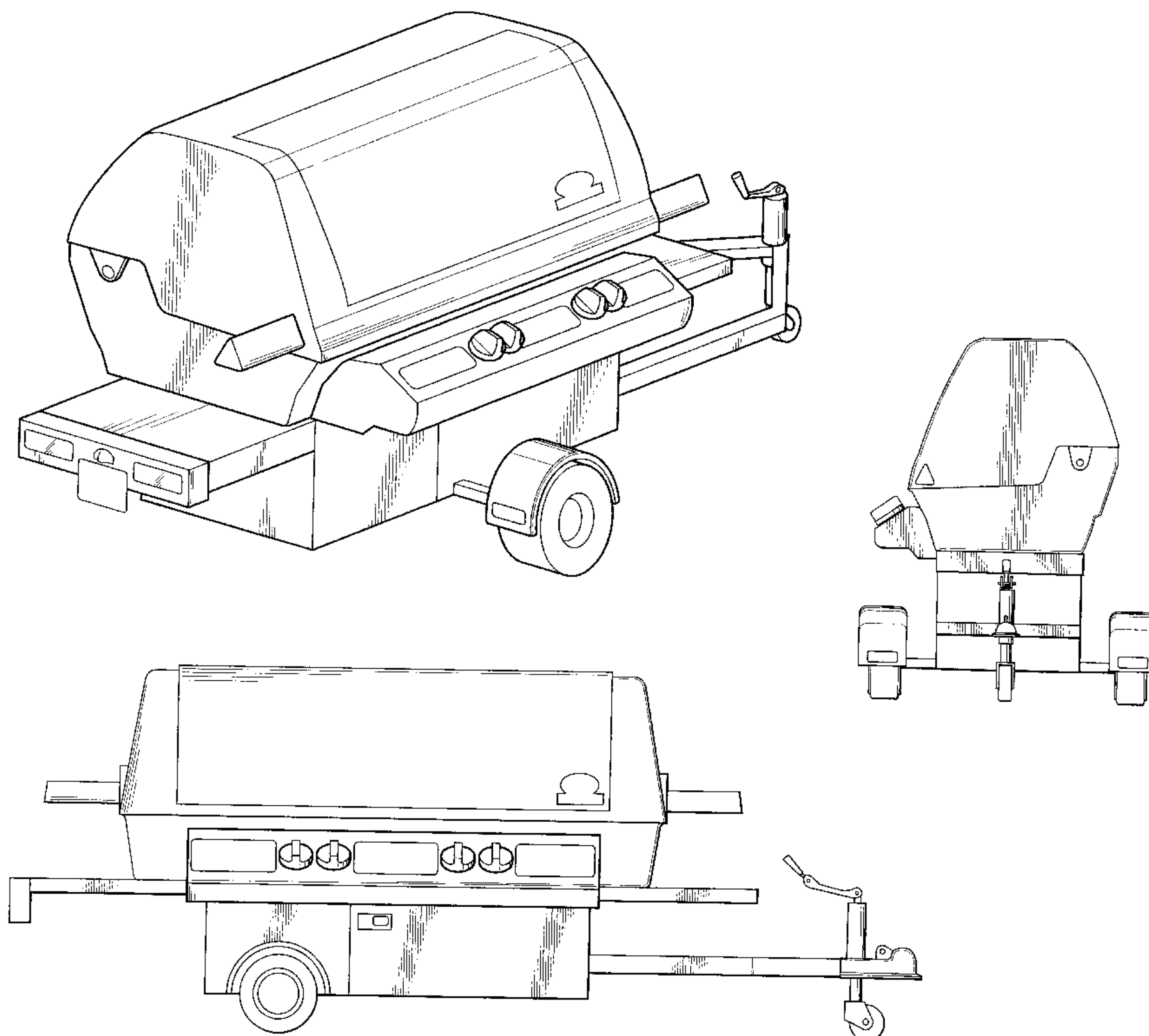
(57) **CLAIM**

The ornamental design for a mobile barbeque grilling unit, as shown and described.

DESCRIPTION

FIG. 1 is a rear and right side perspective view of a mobile barbeque grilling unit showing my new design; FIG. 2 is a right side elevation view thereof; FIG. 3 is a left side elevation view thereof; FIG. 4 is a rear elevation view thereof; FIG. 5 is a front elevation view thereof; and, FIG. 6 is a top plan view thereof.

1 Claim, 5 Drawing Sheets



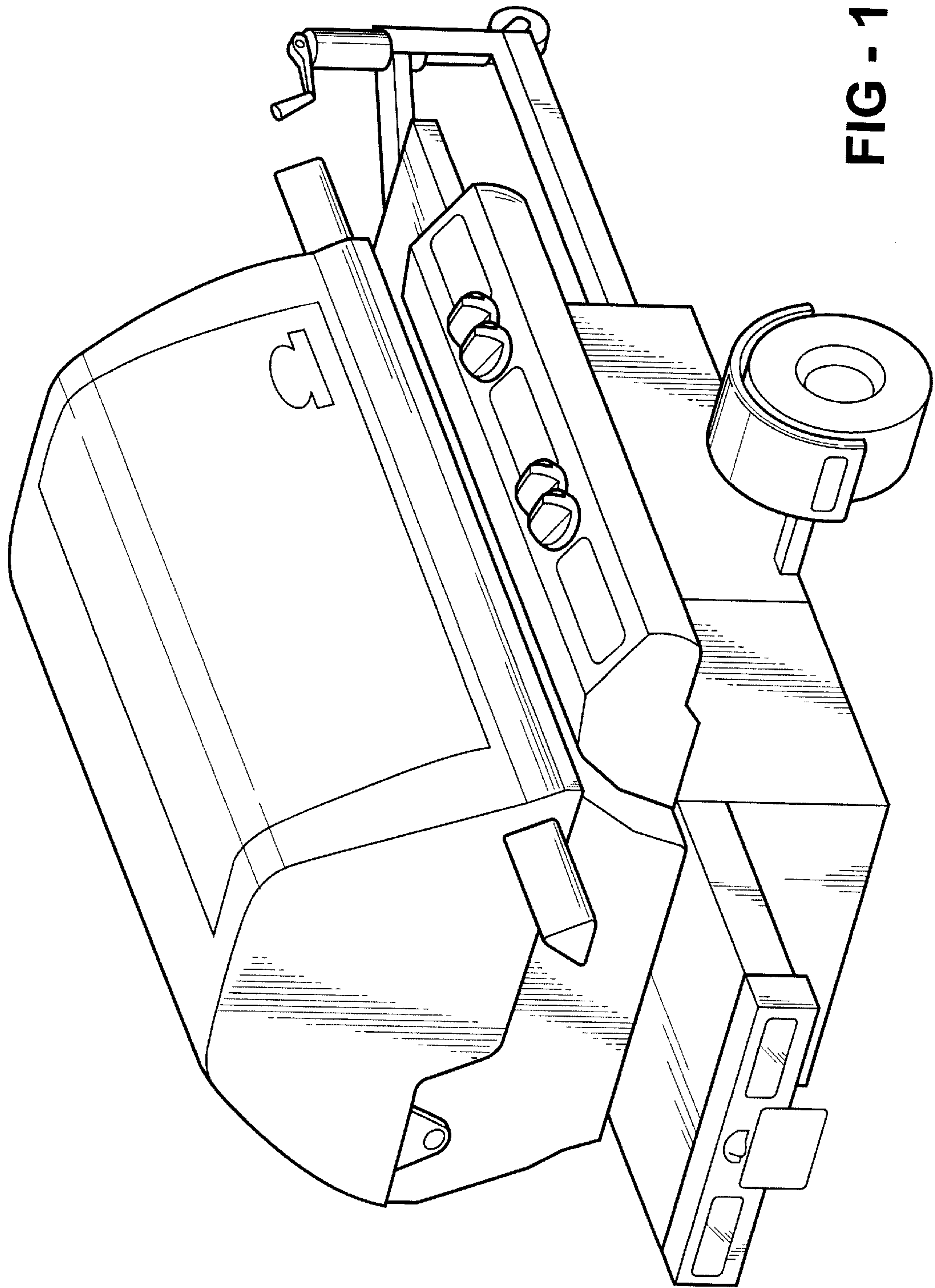


FIG - 1

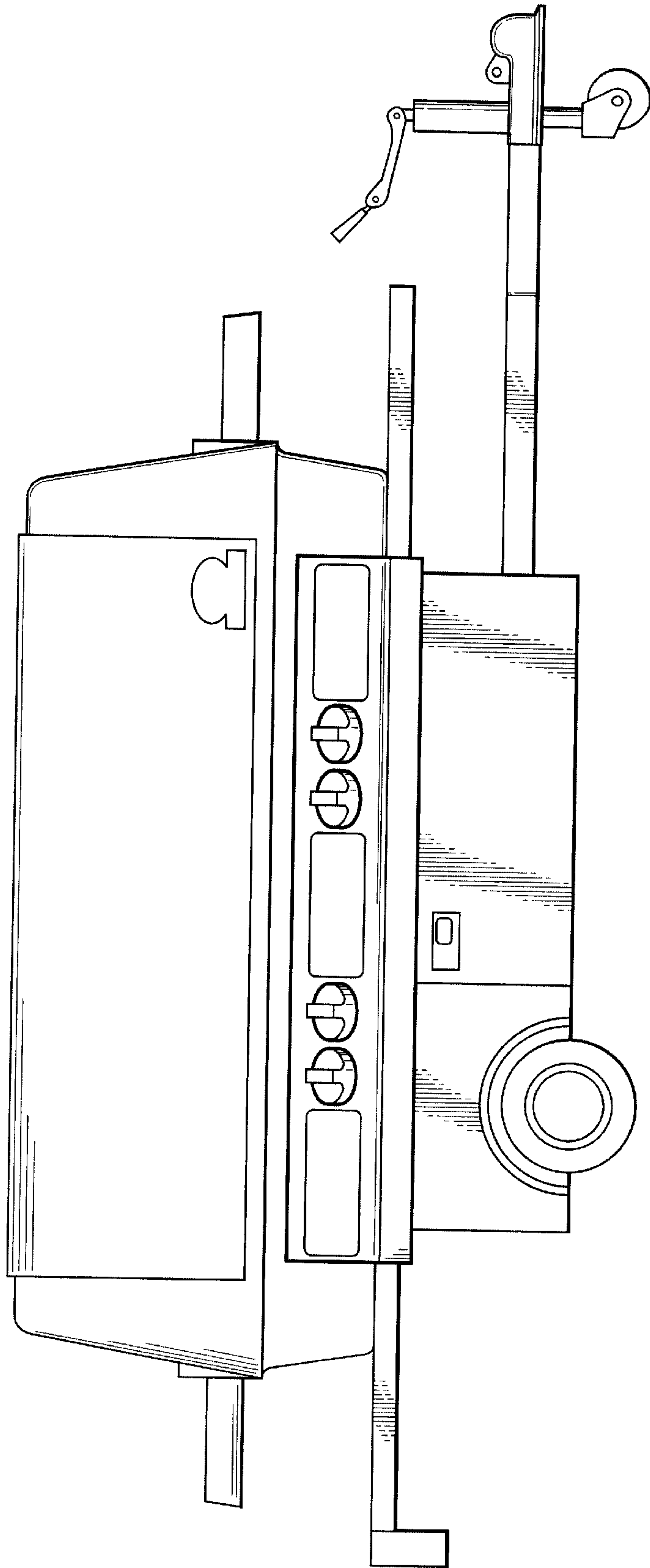


FIG - 2

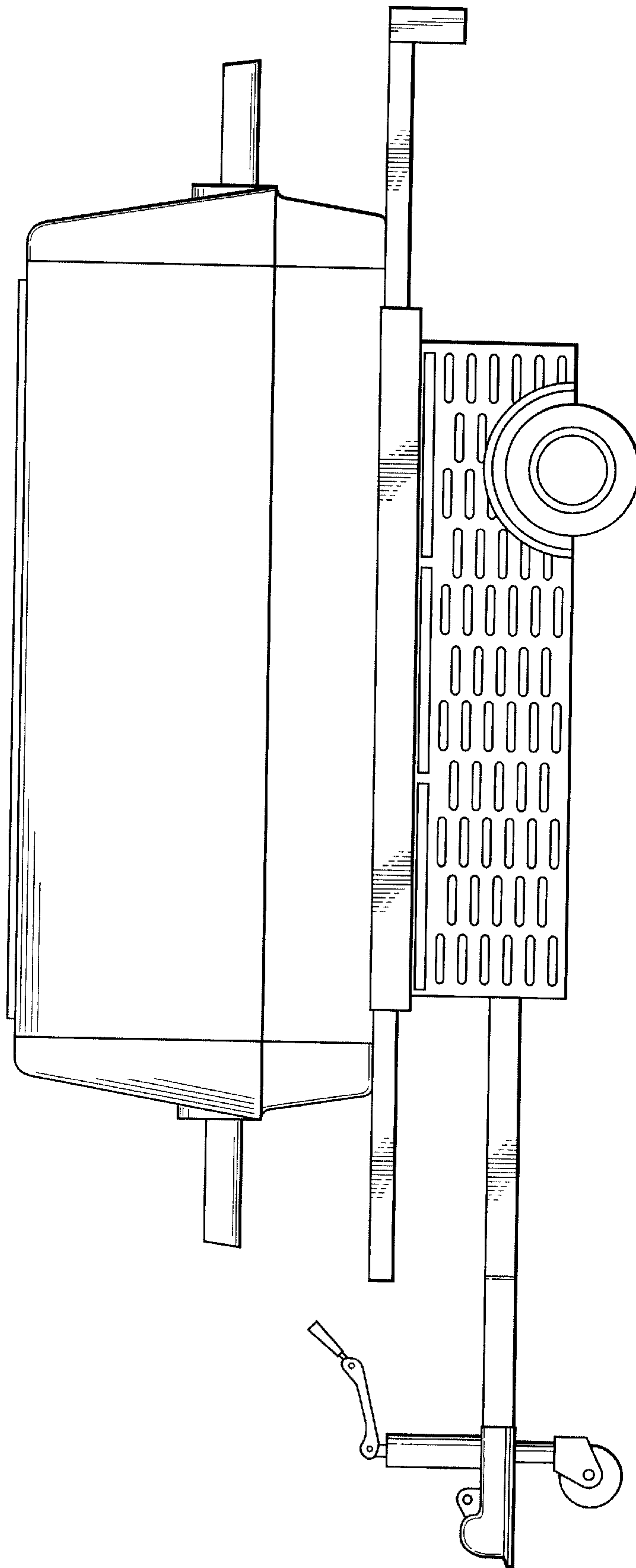


FIG - 3

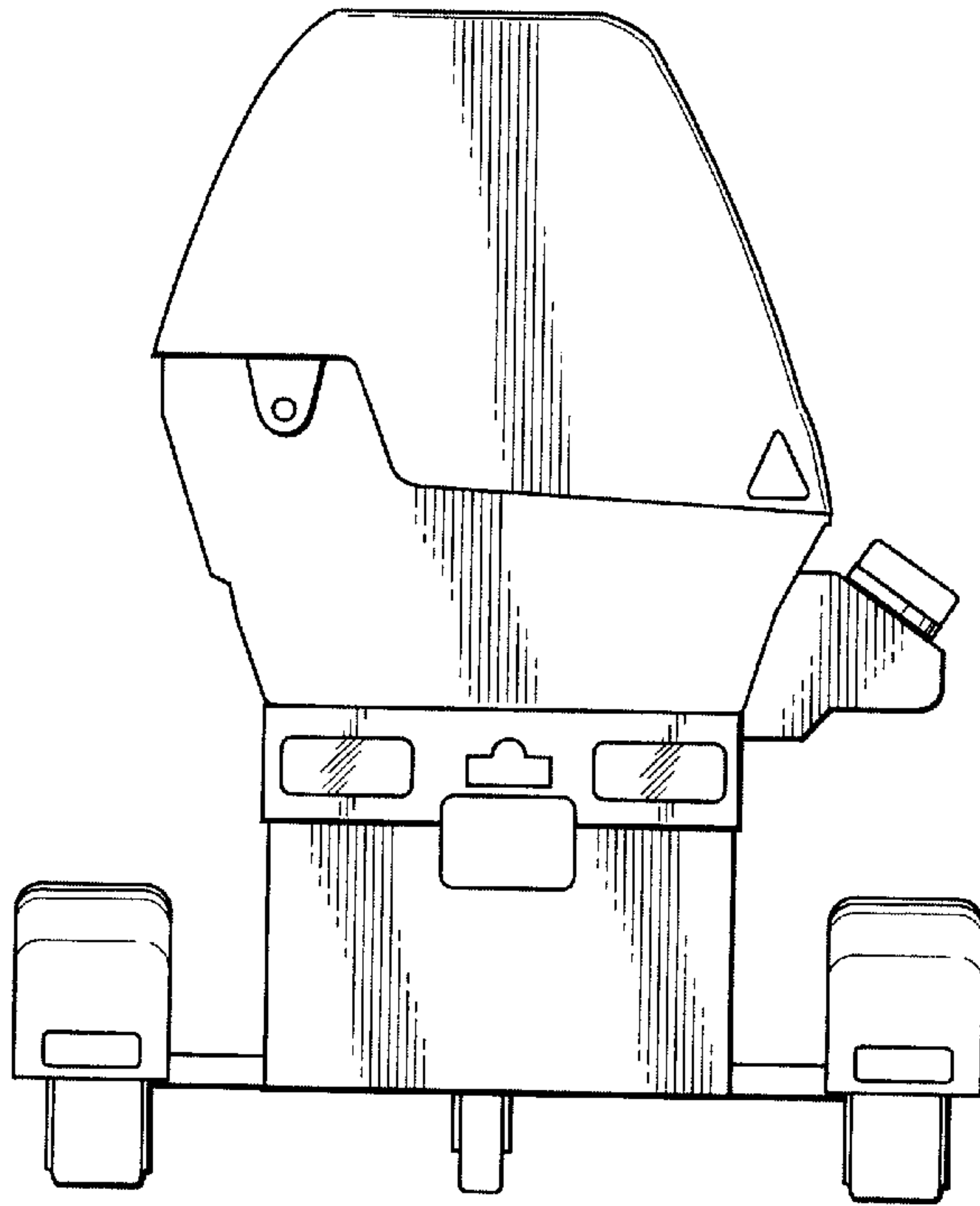


FIG - 4

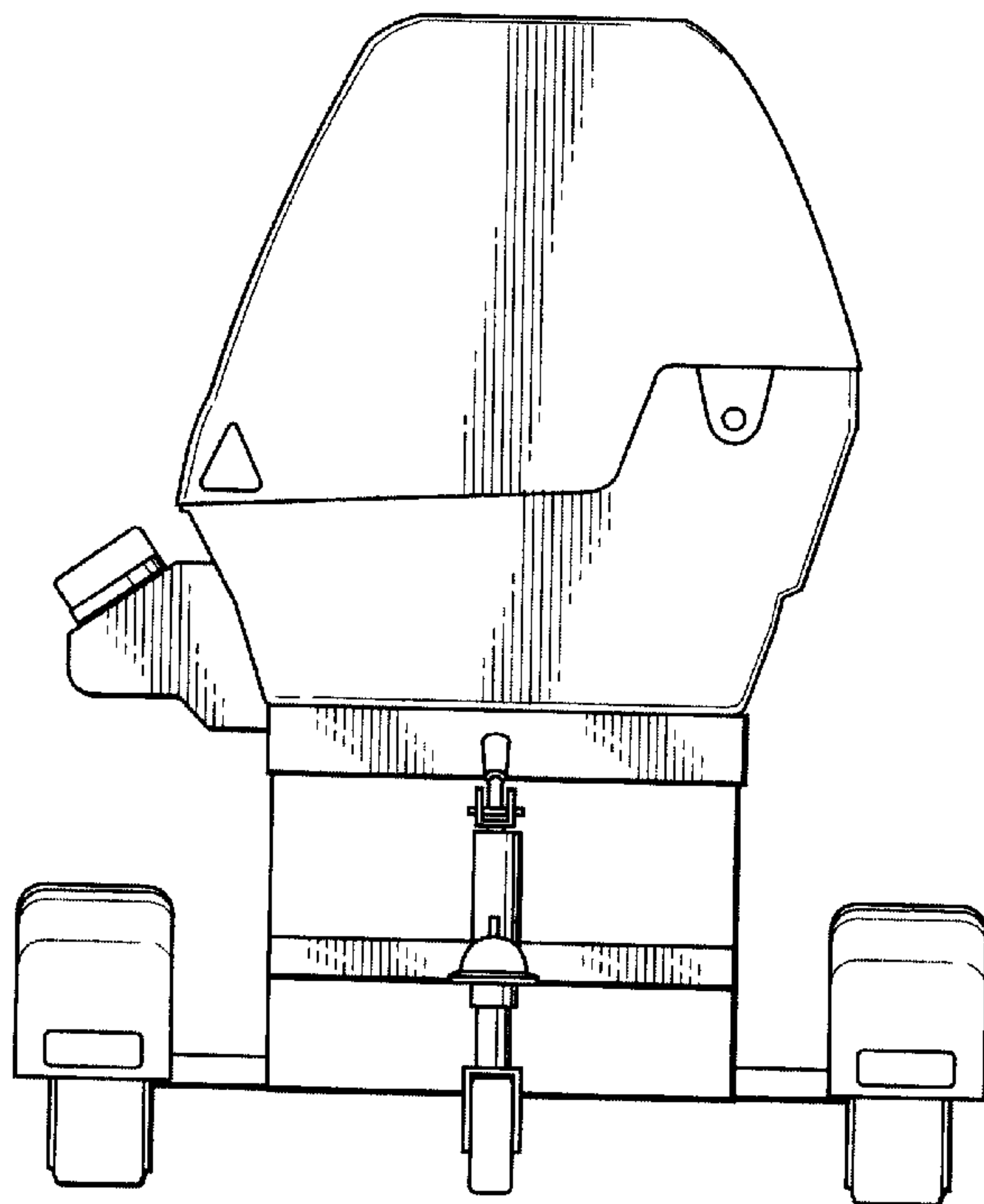


FIG - 5

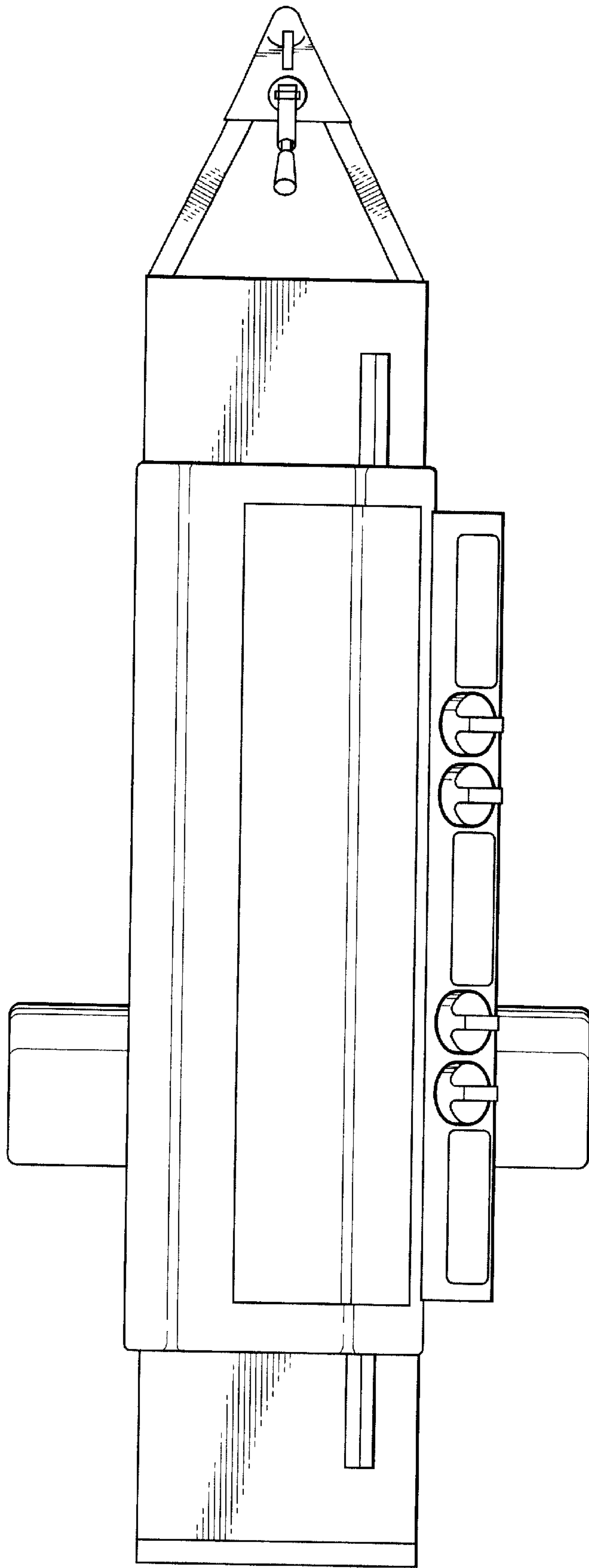


FIG - 6