



US00D487208S

(12) **United States Design Patent**  
**Lowe et al.**

(10) **Patent No.:** **US D487,208 S**

(45) **Date of Patent:** **\*\* Mar. 2, 2004**

(54) **LIQUID BEVERAGE MACHINE**

(75) **Inventors:** **Kevin G. Lowe**, Virden, IL (US); **Scott Alan Mazzini**, Springfield, IL (US); **Gary Frank Prokop**, Wheaton, IL (US); **Randall Palmer Bell**, River Forest, IL (US)

(73) **Assignee:** **Bunn-O-Matic Corporation**

(\*\*) **Term:** **14 Years**

(21) **Appl. No.:** **29/170,791**

(22) **Filed:** **Nov. 12, 2002**

(51) **LOC (7) Cl.** ..... **07-01**

(52) **U.S. Cl.** ..... **D7/307; D7/306; D7/308**

(58) **Field of Search** ..... **D7/300, 306, 307, D7/308, 312, 311, 309, 310; D15/82; 62/392; 222/129, 146.6; 366/144; D23/207; 99/282, 307**

(56) **References Cited**

**U.S. PATENT DOCUMENTS**

3,060,702 A	*	10/1962	Price, Jr.	62/392
3,266,670 A		8/1966	Brooks et al.	
3,568,887 A		3/1971	Jacobs et al.	222/70
D223,890 S	*	6/1972	Hartley	D15/82
3,737,076 A		6/1973	Gardner, Jr. et al.	222/146
D235,388 S	*	6/1975	Taylor	D7/308
4,015,749 A		4/1977	Arzberger et al.	222/70
D258,658 S	*	3/1981	Hill	D7/306
D260,095 S	*	8/1981	Bischoff et al.	D7/308
D284,925 S	*	8/1986	Jacobs et al.	D7/308
D290,332 S		6/1987	Foley et al.	D7/373
4,825,758 A		5/1989	Snowball et al.	99/282
4,834,250 A	*	5/1989	Dumbeck et al.	D6/610
D304,407 S	*	11/1989	Fossella	D7/308
D313,331 S	*	1/1991	Schroeder et al.	D7/308
D335,062 S		4/1993	Kolada et al.	D7/308
D356,467 S	*	3/1995	Smit	D7/311
5,465,650 A		11/1995	Friedrich et al.	99/286
D366,386 S	*	1/1996	Riemer et al.	D7/311
5,490,614 A		2/1996	Sardynski	222/129.1

5,511,465 A		4/1996	Friedrich et al.	99/286
D375,650 S	*	11/1996	Saito et al.	D7/307
D382,761 S		8/1997	Ford	D7/308
D413,764 S		9/1999	Applegate et al.	D7/397
D435,596 S		12/2000	Vaajakallio	D20/5
6,182,555 B1		2/2001	Scheer et al.	99/290
D440,109 S	*	4/2001	Anton et al.	D7/307
6,237,811 B1		5/2001	Ford	222/129.1
D453,088 S		1/2002	Bell et al.	D7/307
D454,465 S		3/2002	McKittrick et al.	D7/307
D467,764 S	*	12/2002	Harrison et al.	D7/306

**FOREIGN PATENT DOCUMENTS**

DE 4328735 3/1995

**OTHER PUBLICATIONS**

Specification sheet for Brewwise™ Dual Soft Heat® DBC Brewer, Bunn-O-Matic Corporation, Aug. 2002.

\* cited by examiner

*Primary Examiner*—M. N. Pandozzi

(74) *Attorney, Agent, or Firm*—Barnes & Thornburg

(57) **CLAIM**

We claim the ornamental design for a liquid beverage machine, as shown and described.

**DESCRIPTION**

FIG. 1 is a perspective view of the liquid coffee machine with a portion of the housing shown in broken line;

FIG. 2 is a front view thereof;

FIG. 3 is a left side view thereof, the right side view being a mirror image thereof;

FIG. 4 is a top view thereof;

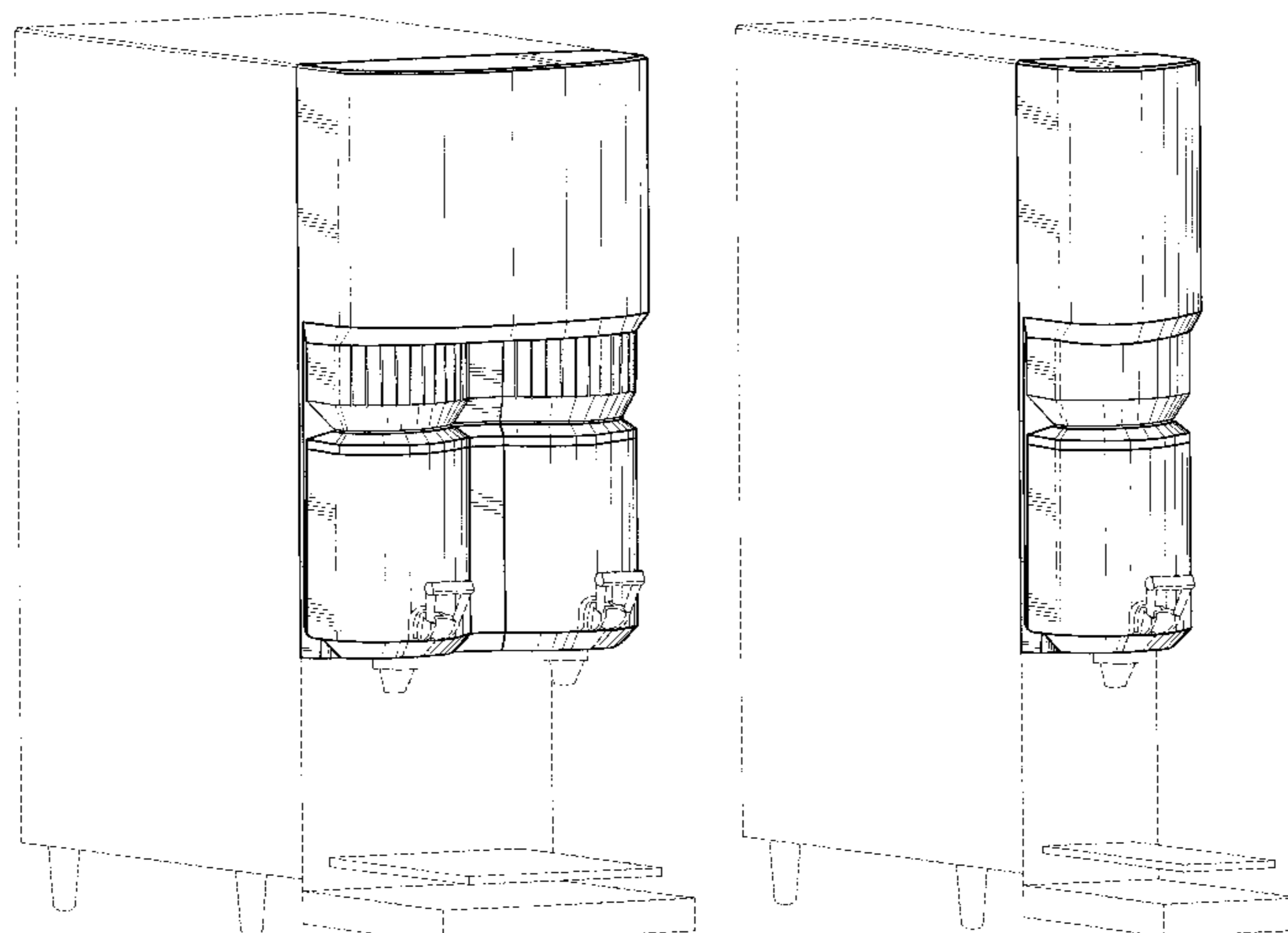
FIG. 5 is a bottom view thereof

FIG. 6 is a perspective view of second embodiment of the design; and,

FIG. 7 is a perspective view of third embodiment of the design.

The broken lines are for illustrative purposes only and form no part of the claimed design.

**1 Claim, 6 Drawing Sheets**



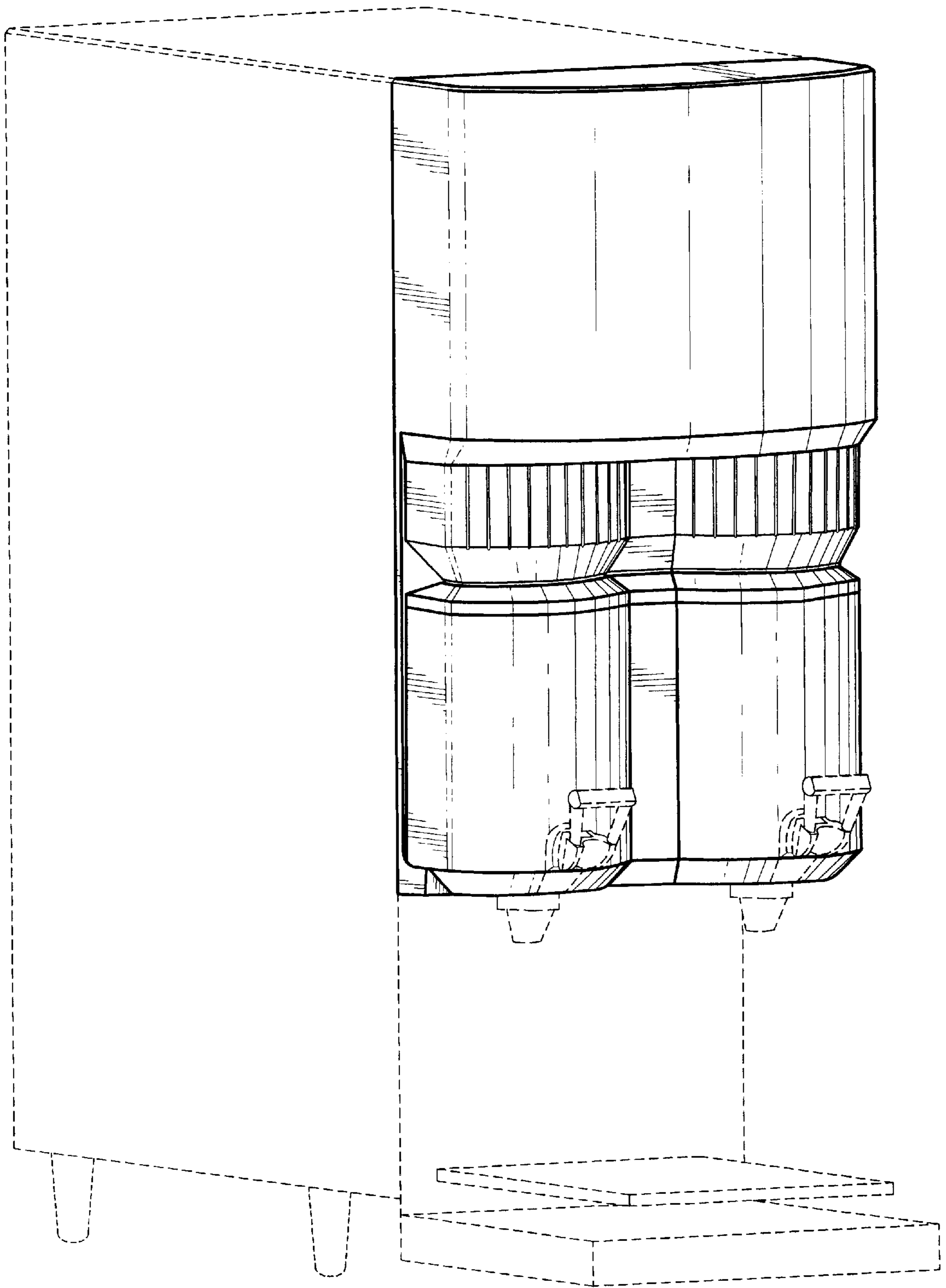


FIG. 1

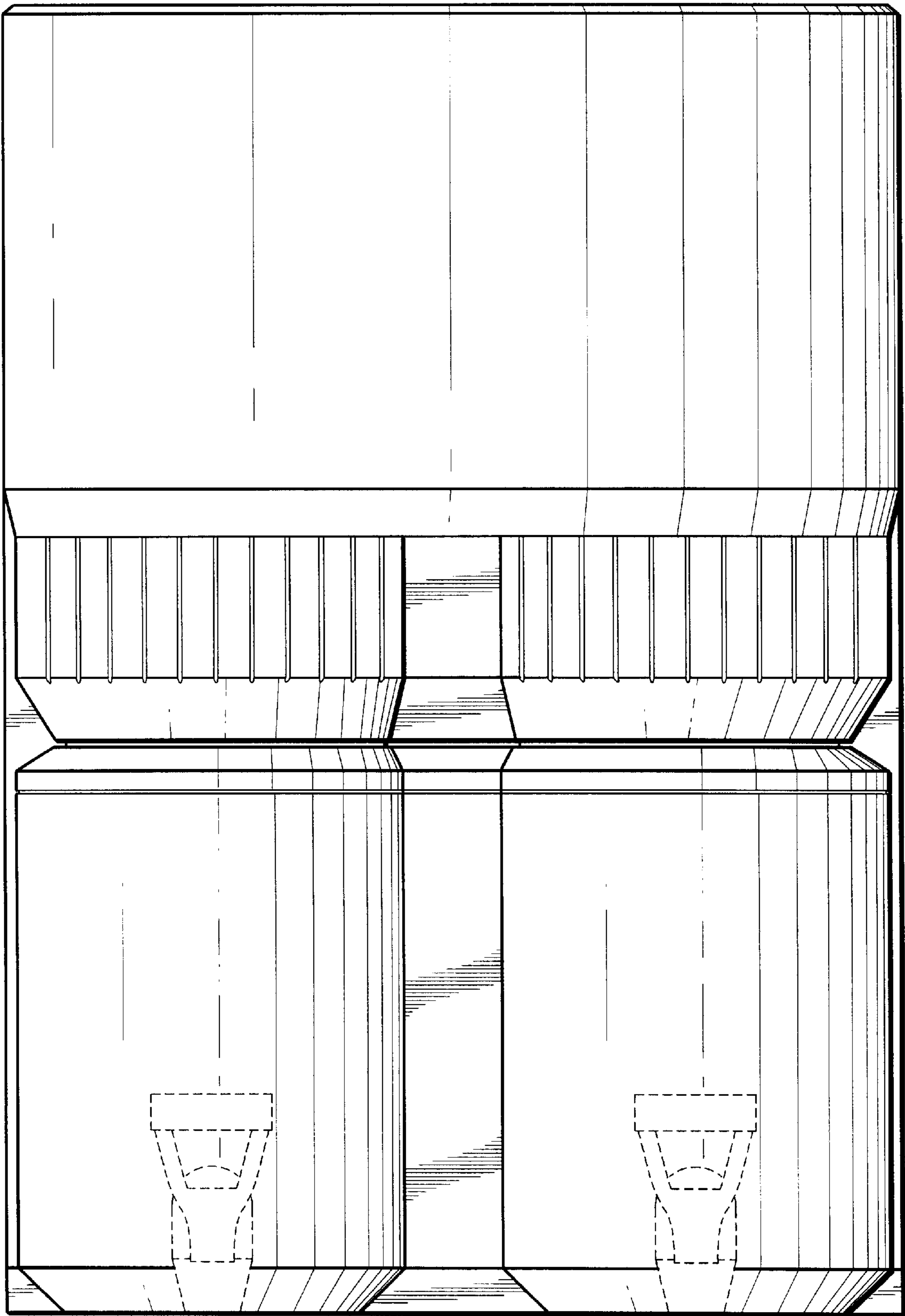


FIG. 2

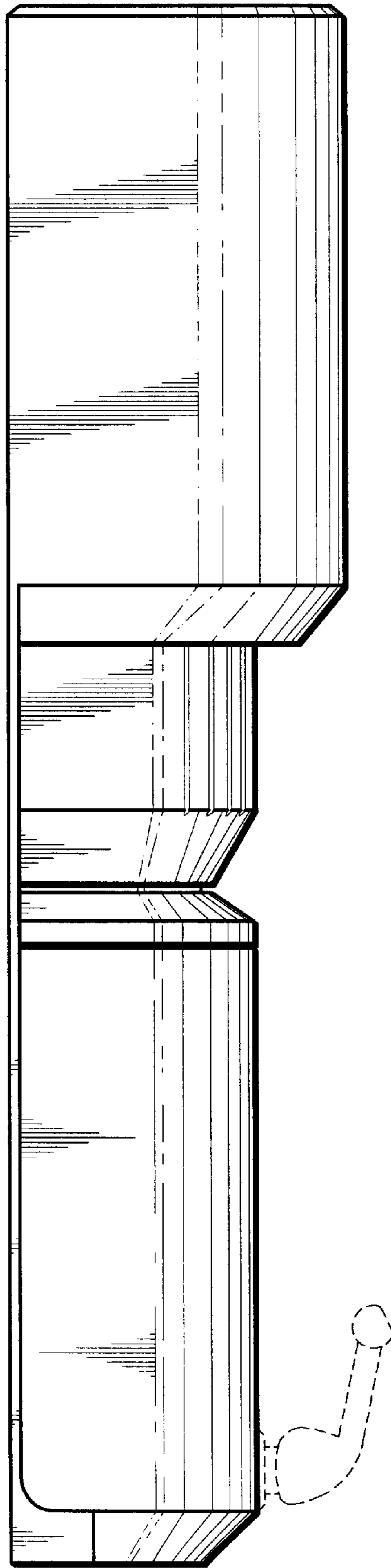


FIG. 3

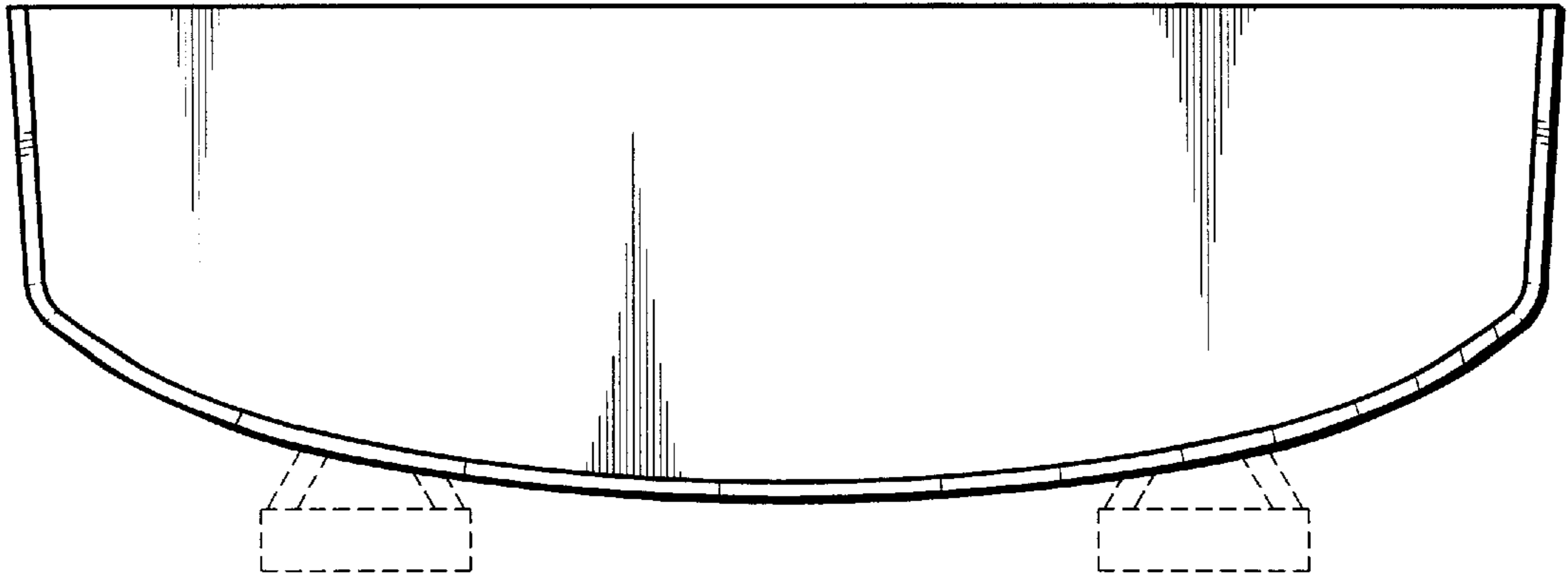


FIG. 4

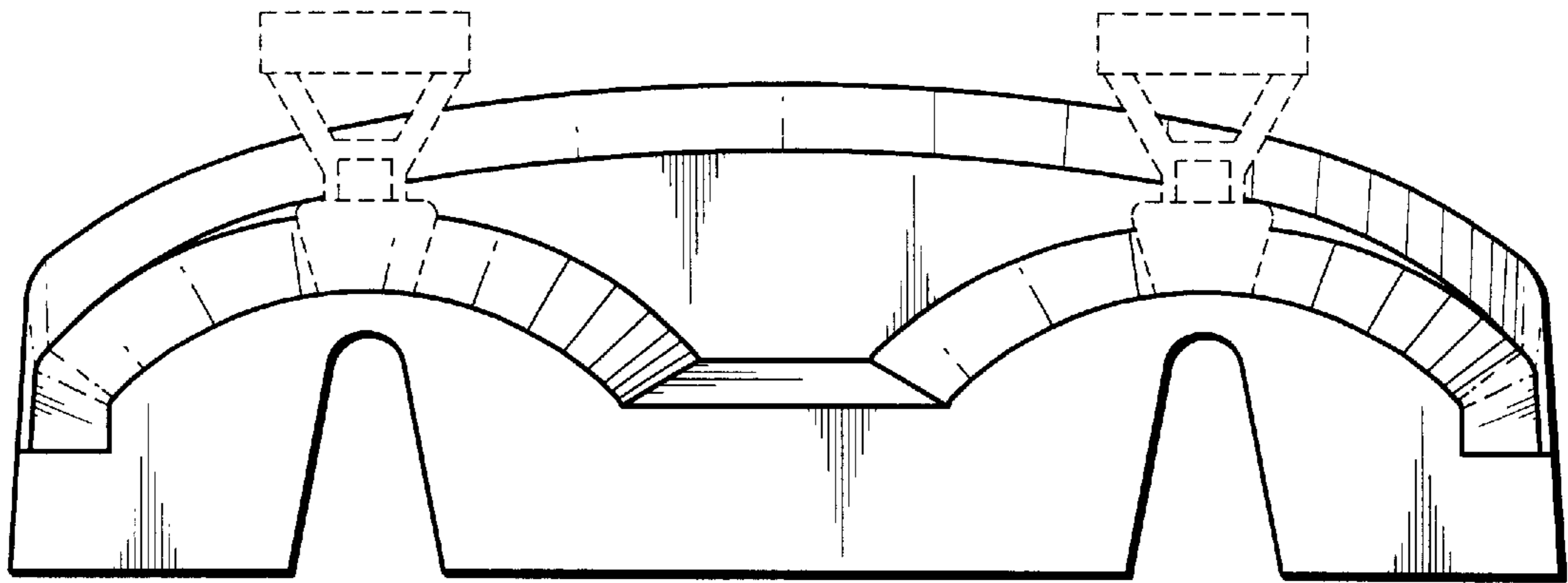


FIG. 5

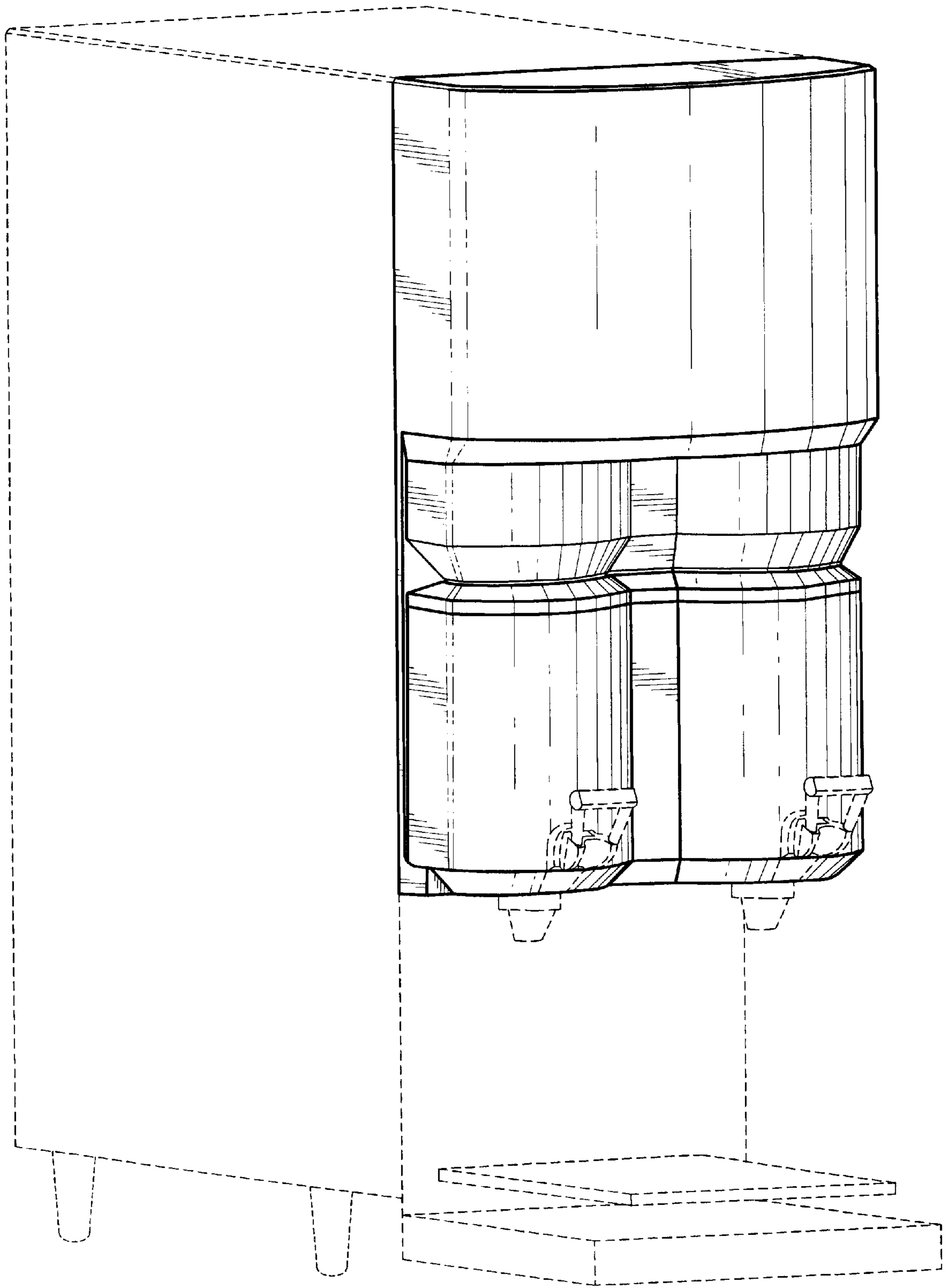


FIG. 6

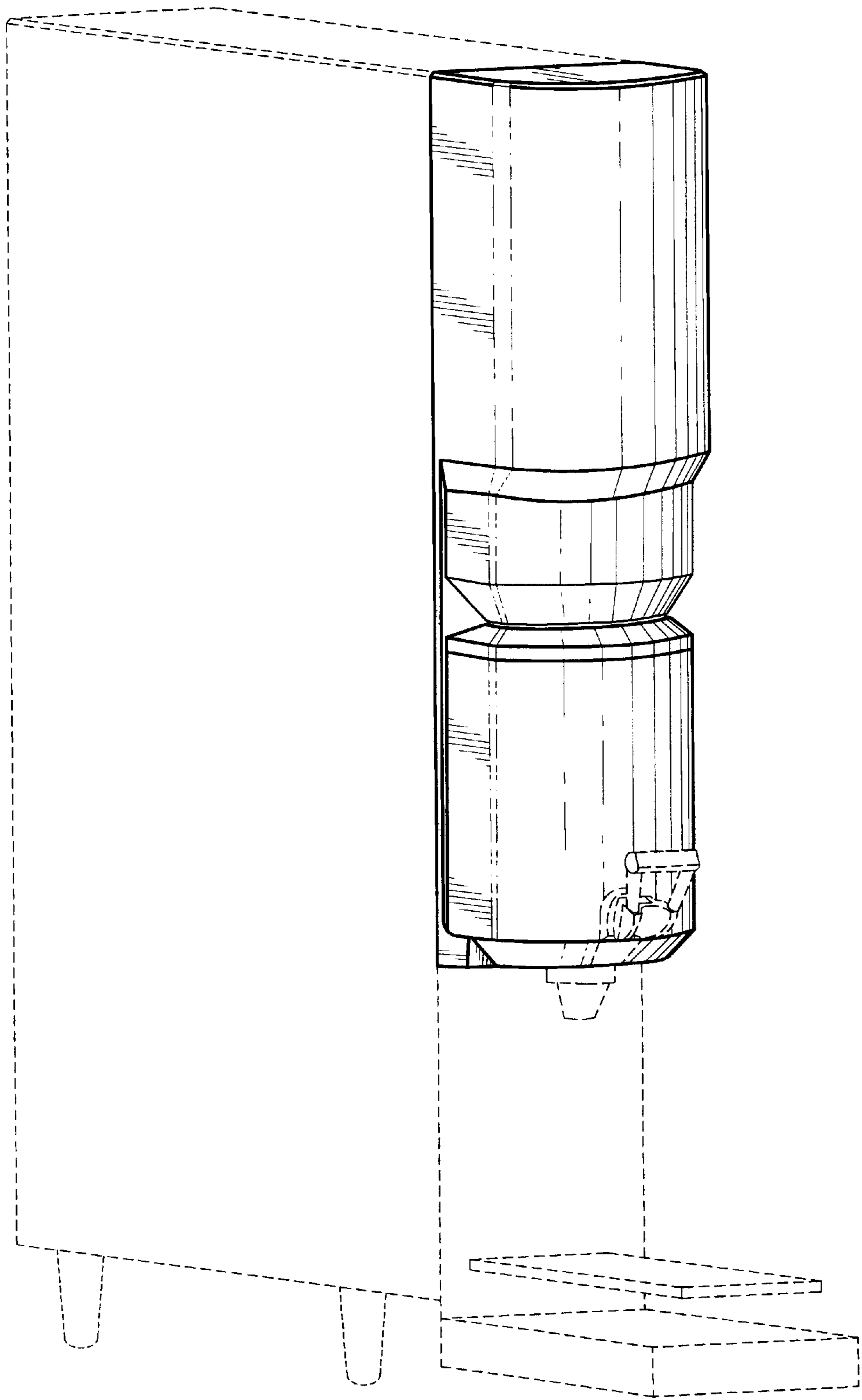


FIG. 7