



US00D487200S

(12) **United States Design Patent**
Wanek et al.

(10) **Patent No.:** **US D487,200 S**

(45) **Date of Patent:** **** Mar. 2, 2004**

(54) **DRESSER WITH MIRROR**

(75) Inventors: **Ronald G. Wanek**, Arcadia, WI (US);
Eric A. Cook, Onalaska, WI (US)

(73) Assignee: **Ashley Furniture Industries, Inc.**,
Arcadia, WI (US)

(**) Term: **14 Years**

(21) Appl. No.: **29/177,212**

(22) Filed: **Mar. 4, 2003**

(51) **LOC (7) Cl.** **06-04**

(52) **U.S. Cl.** **D6/444; D6/446**

(58) **Field of Search** D6/432-448; 312/107,
312/198, 204, 257.1, 278, 279

(56) **References Cited**

U.S. PATENT DOCUMENTS

D39,639 S	10/1908	Eustis	
D110,833 S	9/1938	Fain	
D299,296 S	1/1989	Lafko	
D346,068 S	4/1994	White	
D394,159 S	5/1998	Leung	
D394,171 S	* 5/1998	Blaay	D6/446
D404,223 S	1/1999	Bargagli-Stoffi	
D428,280 S	* 7/2000	Walters, III et al.	D6/446

D440,430 S	*	4/2001	Hutton	D6/446
D442,801 S	*	5/2001	Hutton	D6/446
D459,094 S		6/2002	Stone et al.		
D459,615 S		7/2002	Stanton		
D465,104 S		11/2002	Cain		
D468,930 S	*	1/2003	Berry, Jr. et al.	D6/441
D468,931 S	*	1/2003	Clark et al.	D6/441

* cited by examiner

Primary Examiner—Cathron C. Brooks

(74) *Attorney, Agent, or Firm*—Patterson, Thunte, Skaar & Christensen, P.A.

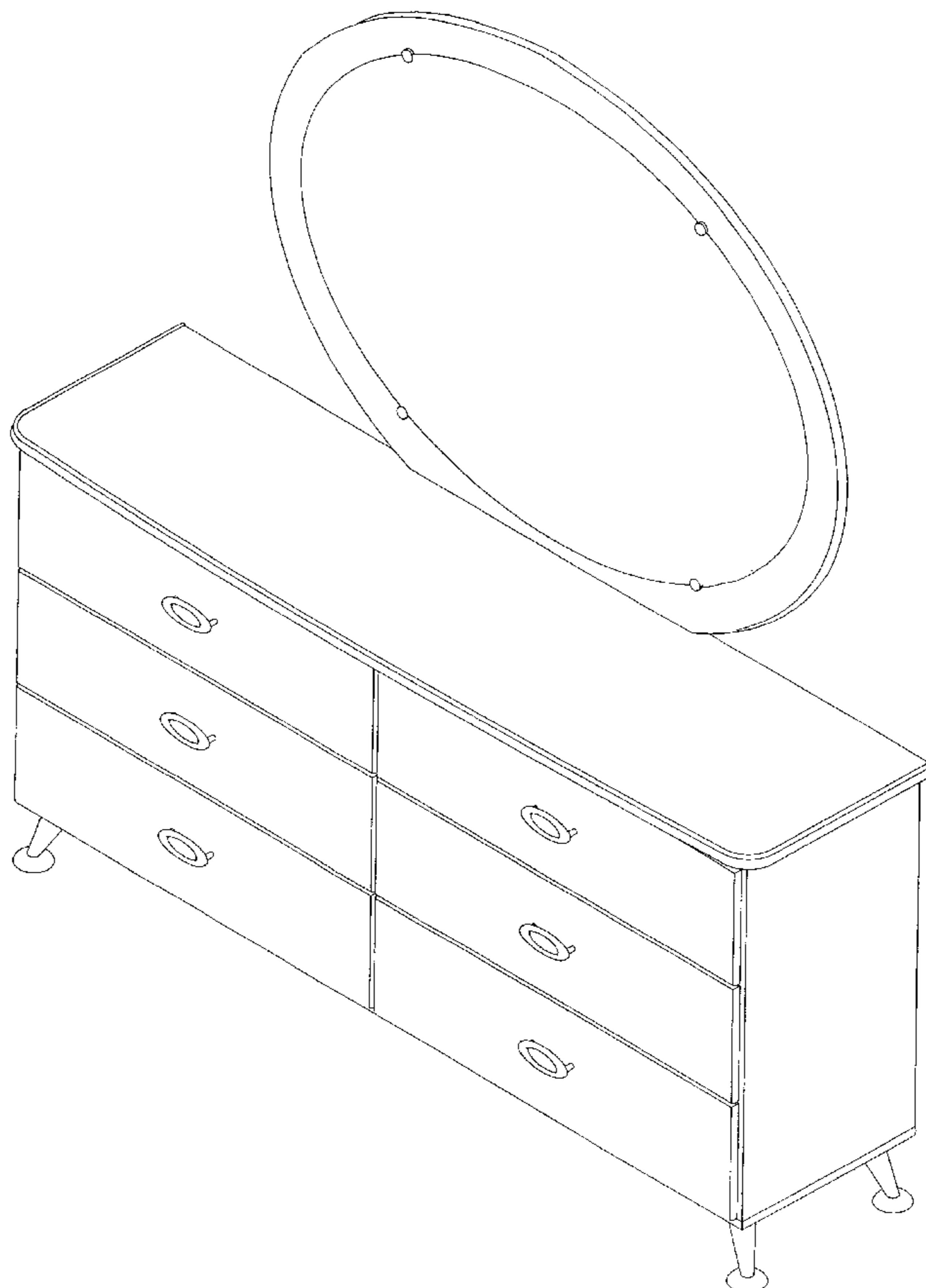
(57) **CLAIM**

The ornamental design for a dresser with mirror, as shown and described.

DESCRIPTION

FIG. 1 is a perspective view of a dresser with mirror according to the invention;
FIG. 2 is a front elevational view thereof;
FIG. 3 is a side elevational view thereof; and,
FIG. 4 is a top plan view thereof.
The back of the dresser with mirror is flat and non ornamental.
Broken lines are environmental and not part of the claimed design.

1 Claim, 3 Drawing Sheets



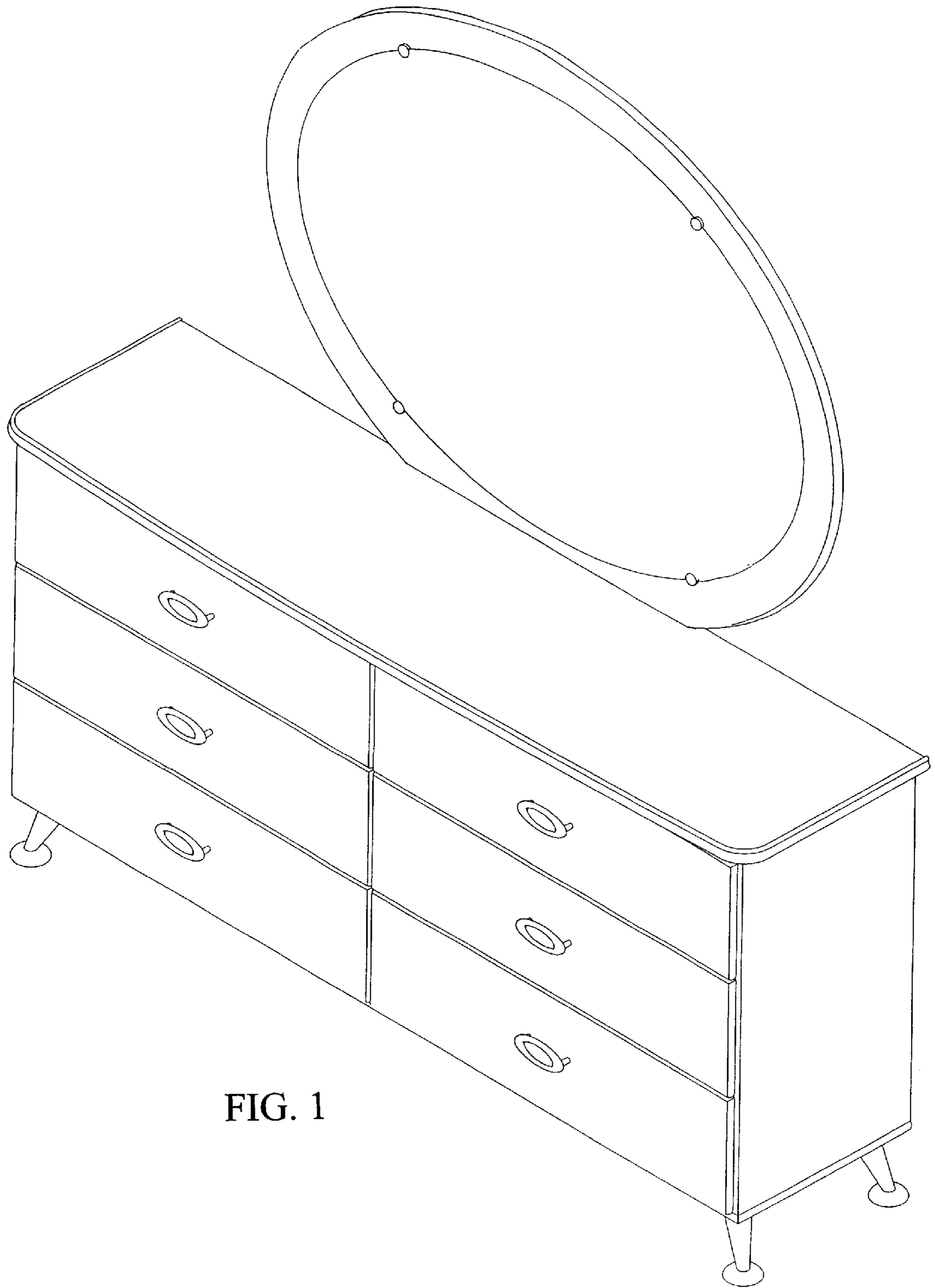


FIG. 1

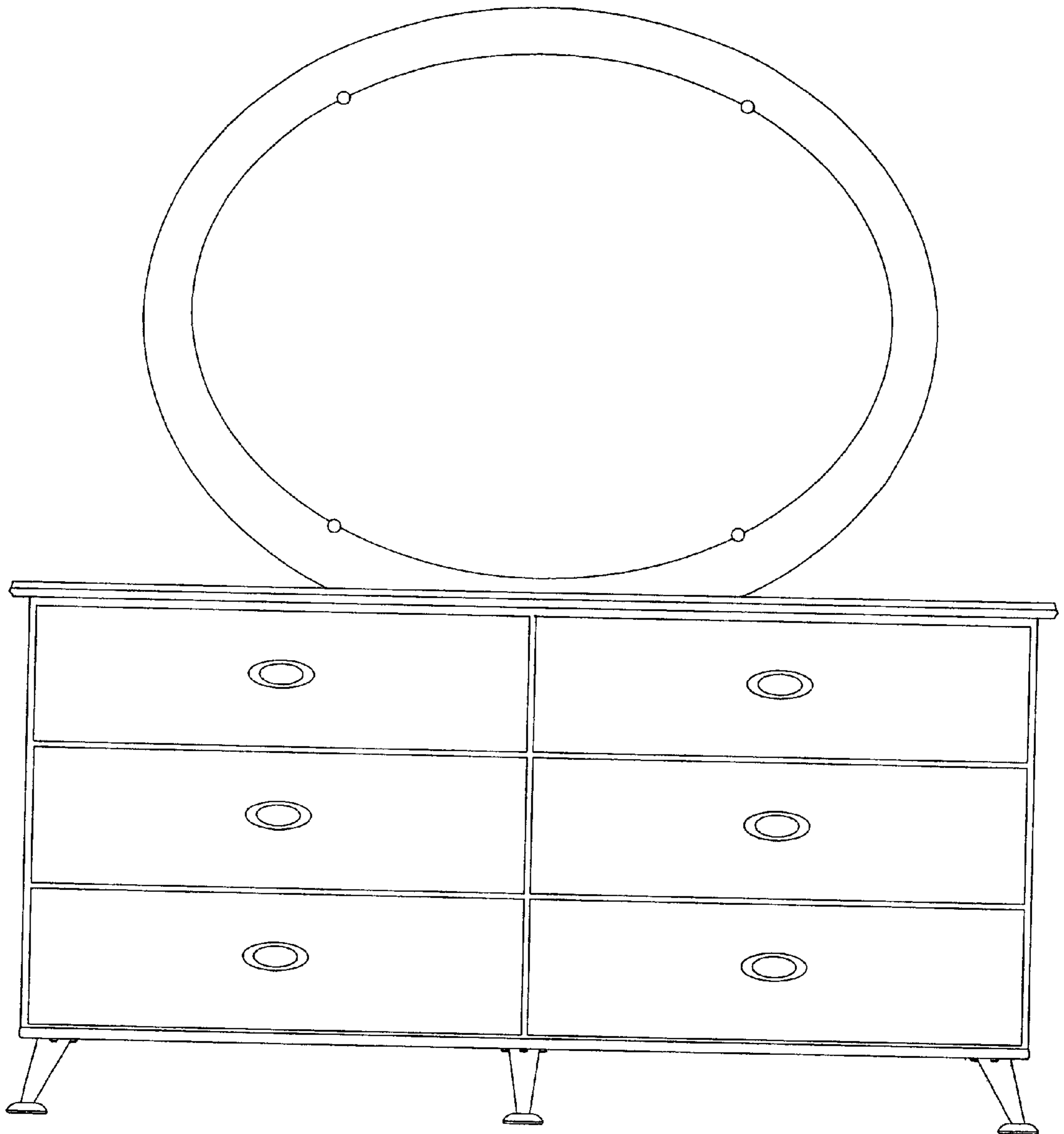


FIG. 2

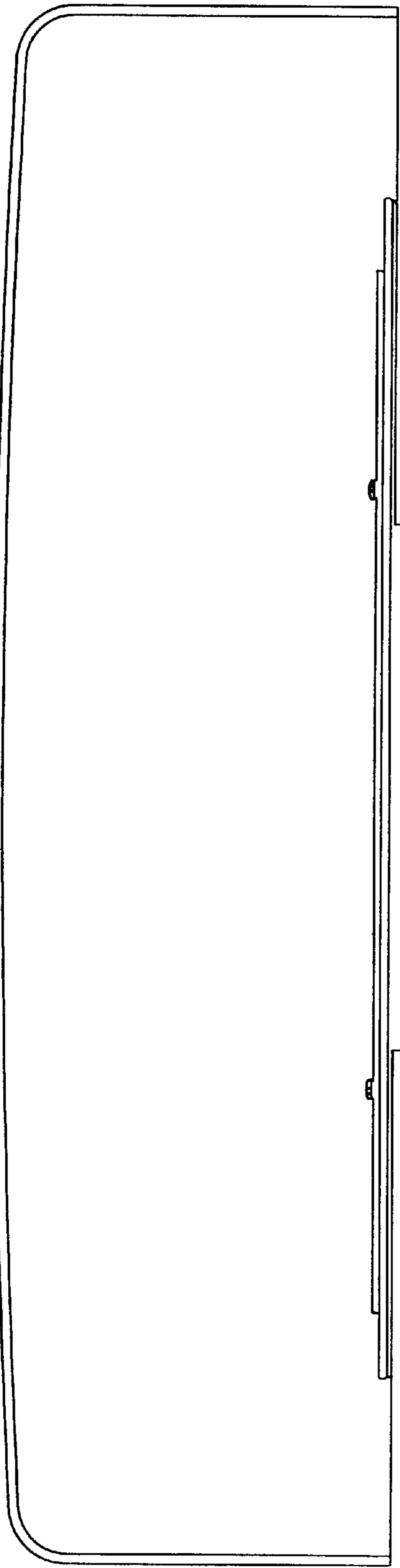


FIG. 4

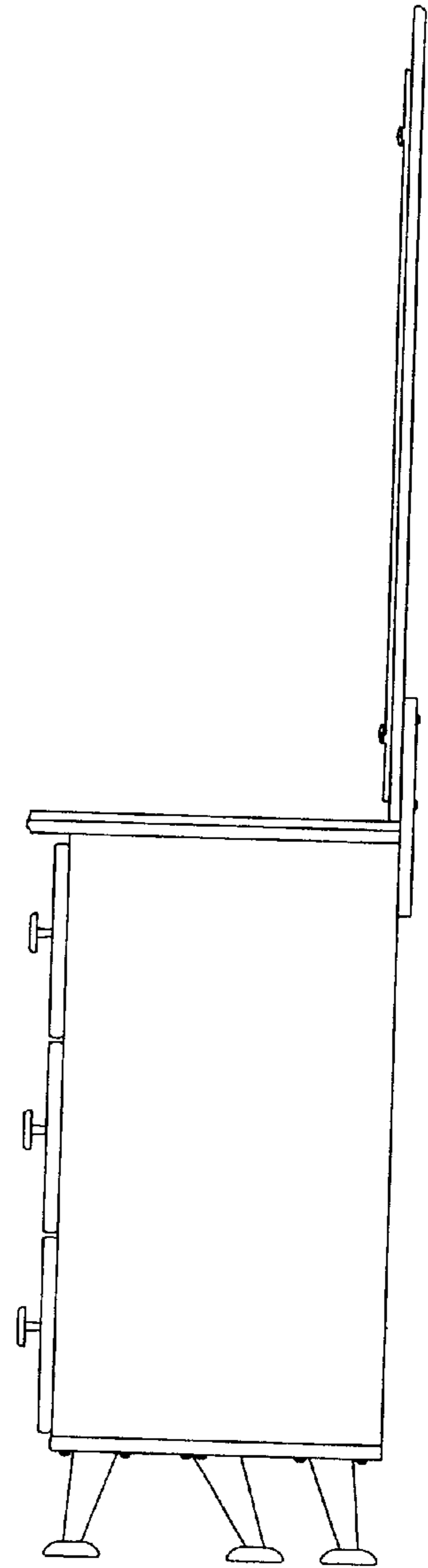


FIG. 3