



US00D487198S

(12) **United States Design Patent**  
**Tseng**

(10) **Patent No.:** **US D487,198 S**

(45) **Date of Patent:** **\*\* Mar. 2, 2004**

(54) **LAWN CHAIR**

(75) **Inventor:** **Chuen-Jong Tseng, Chiayi Hsien (TW)**

(73) **Assignee:** **Shin Yeh Enterprise Co., Ltd., Chiayi Hsien (TW)**

(\*\*) **Term:** **14 Years**

(21) **Appl. No.:** **29/178,966**

(22) **Filed:** **Apr. 2, 2003**

(51) **LOC (7) Cl.** ..... **06-01**

(52) **U.S. Cl.** ..... **D6/376; D6/379**

(58) **Field of Search** ..... **D6/334, 369, 370, D6/374, 376, 379, 380, 500, 501, 502; 297/445.1, 446.1, 452.63, 452.64**

(56) **References Cited**

**U.S. PATENT DOCUMENTS**

D363,826 S	*	11/1995	Martin	.....	D6/370
D370,359 S	*	6/1996	Tseng	.....	D6/370
D399,352 S	*	10/1998	Frinier	.....	D6/369

D419,320 S	*	1/2000	Gaylord et al.	.....	D6/369
D426,975 S	*	6/2000	Gaylord et al.	.....	D6/376
D431,728 S	*	10/2000	Bell	.....	D6/376
D454,713 S	*	3/2002	Tseng	.....	D6/376

\* cited by examiner

*Primary Examiner*—Gary D. Watson

(74) *Attorney, Agent, or Firm*—Ladas & Parry

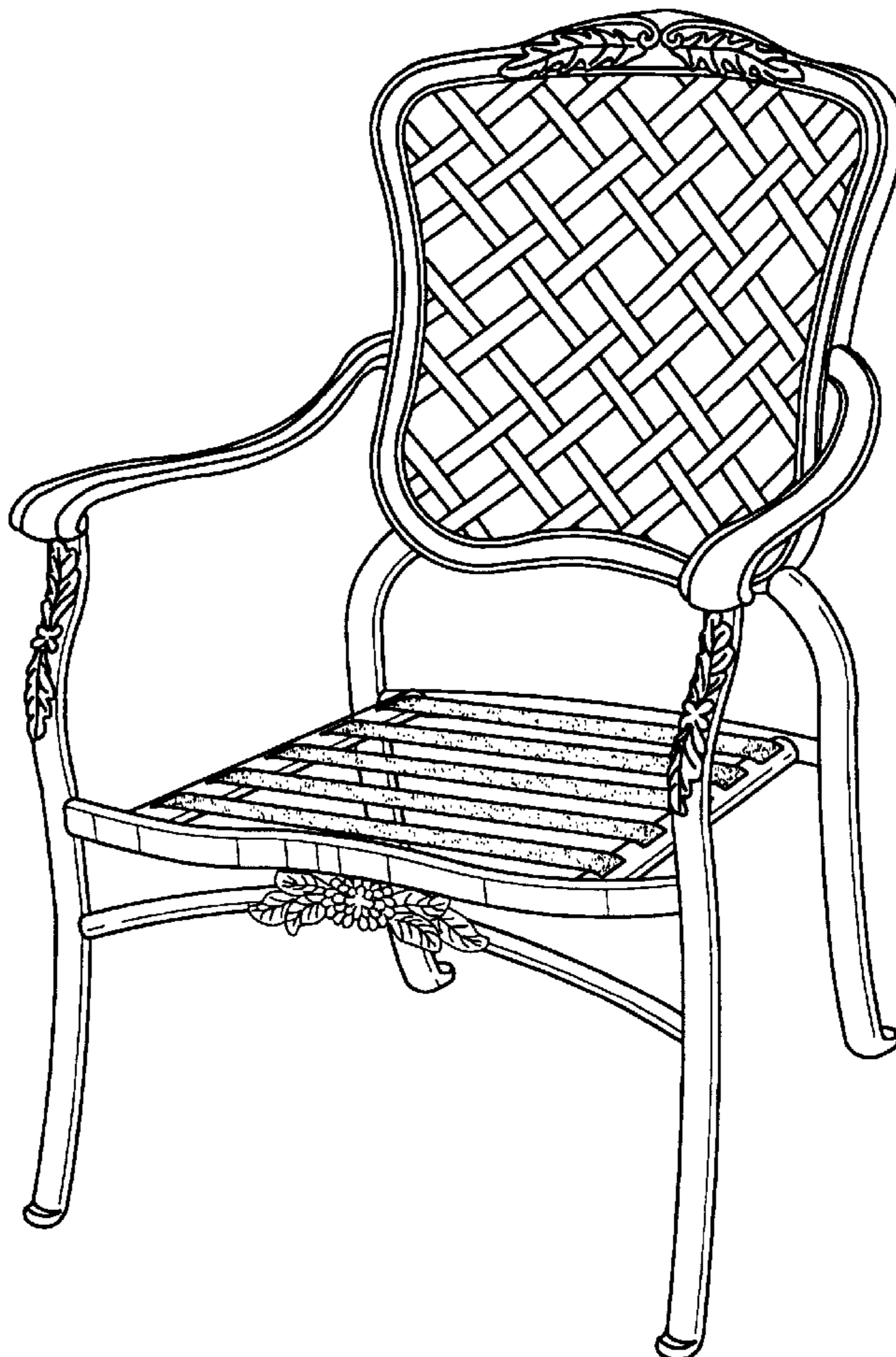
(57) **CLAIM**

The ornamental design for lawn chair, as shown and described.

**DESCRIPTION**

FIG. 1 is a perspective view of lawn chair showing my new design;  
 FIG. 2 is a front elevational view thereof;  
 FIG. 3 is a rear elevational view thereof;  
 FIG. 4 is a left side elevational view thereof;  
 FIG. 5 is a right side elevational view thereof;  
 FIG. 6 is a top plan view thereof; and,  
 FIG. 7 is a bottom plan view thereof.

**1 Claim, 4 Drawing Sheets**



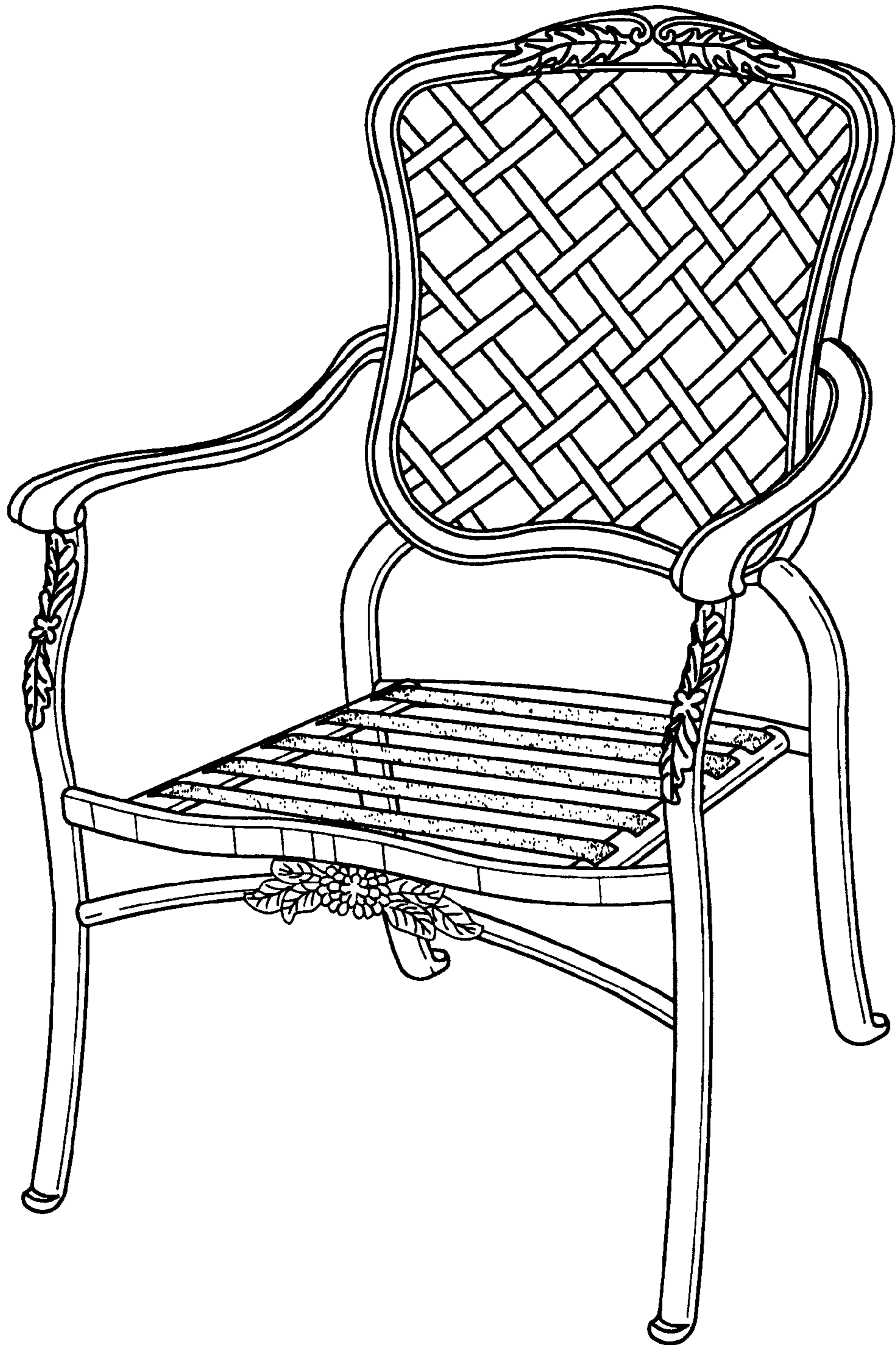


FIG. 1

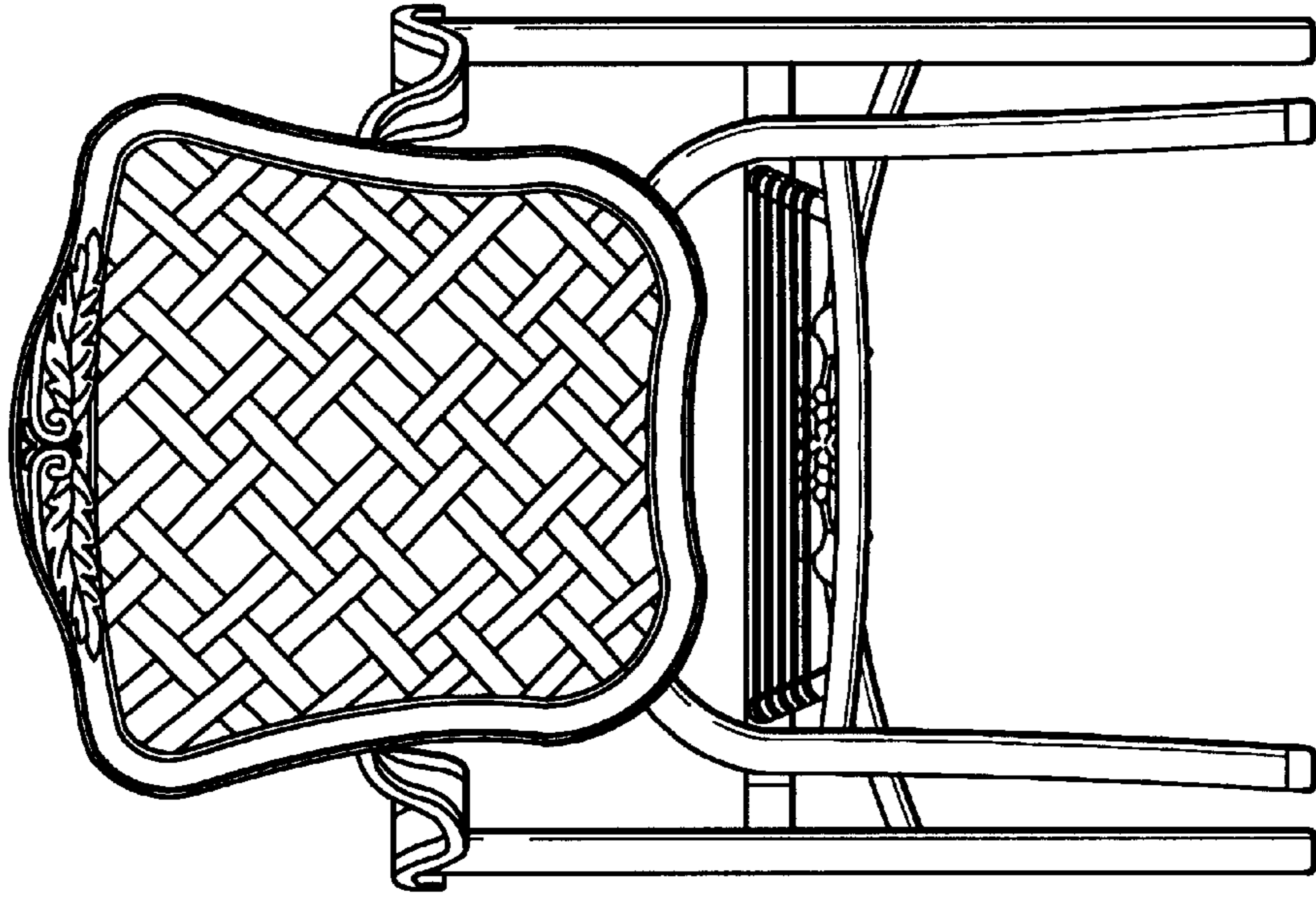


FIG. 3

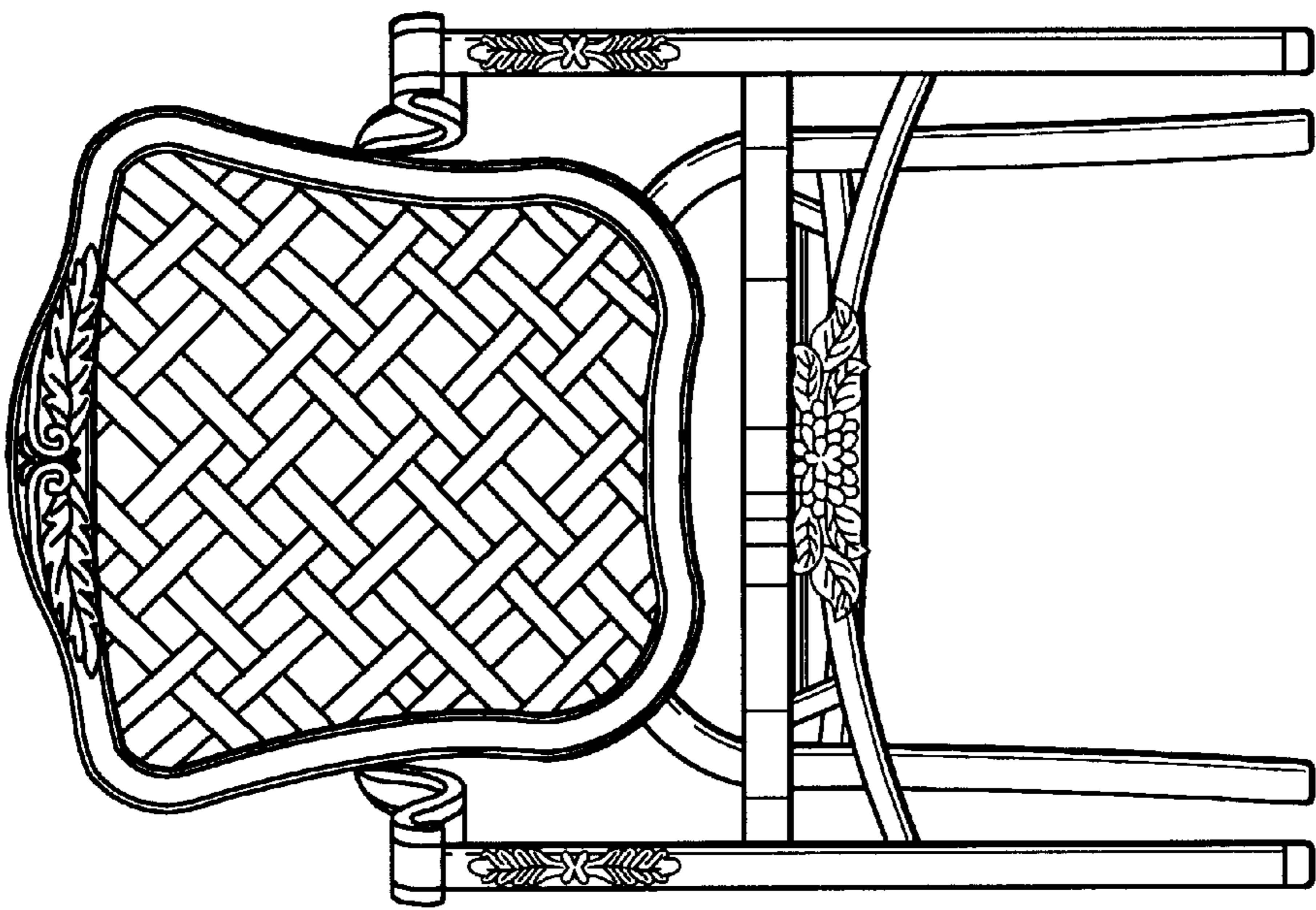


FIG. 2



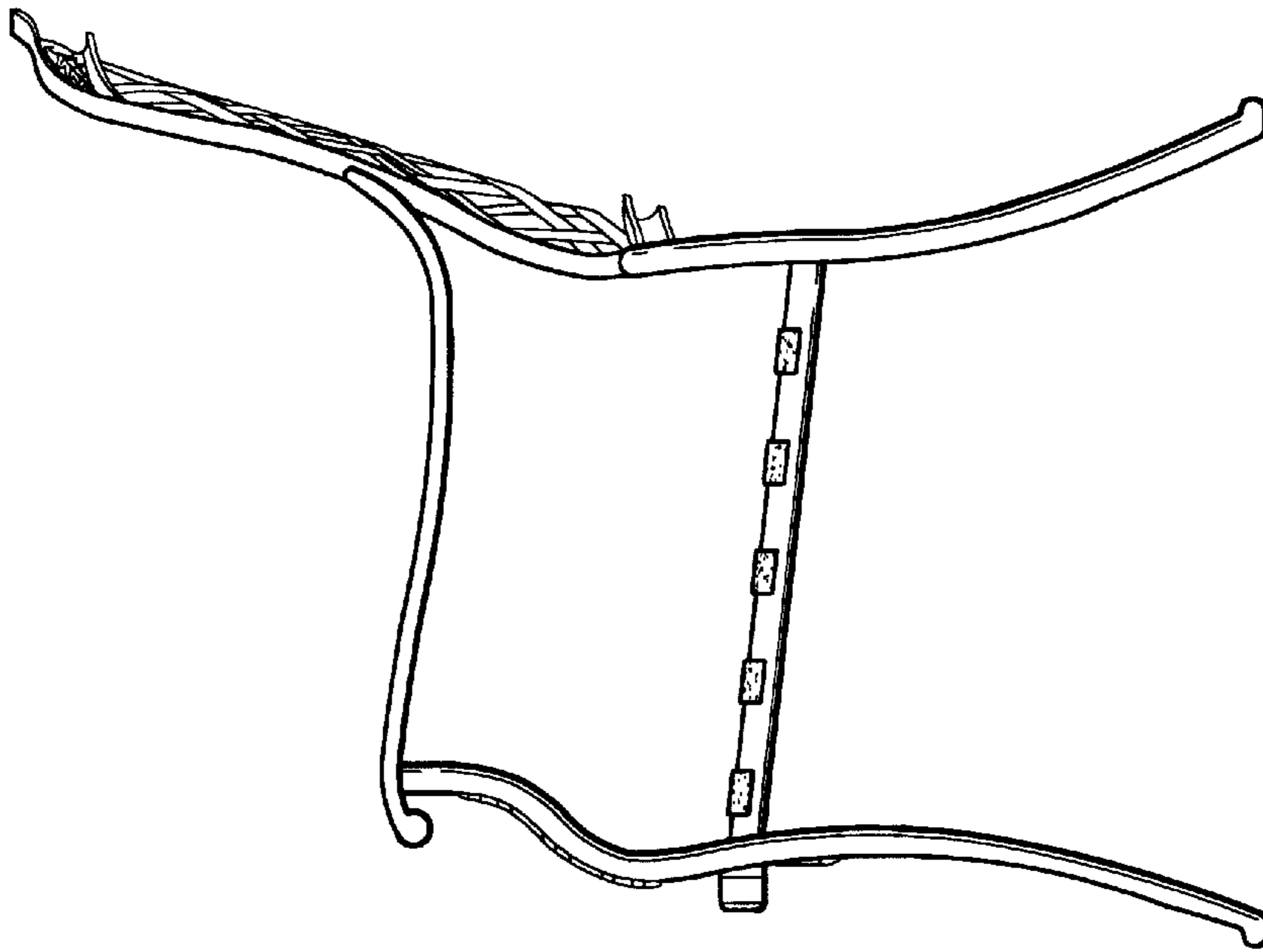


FIG. 5

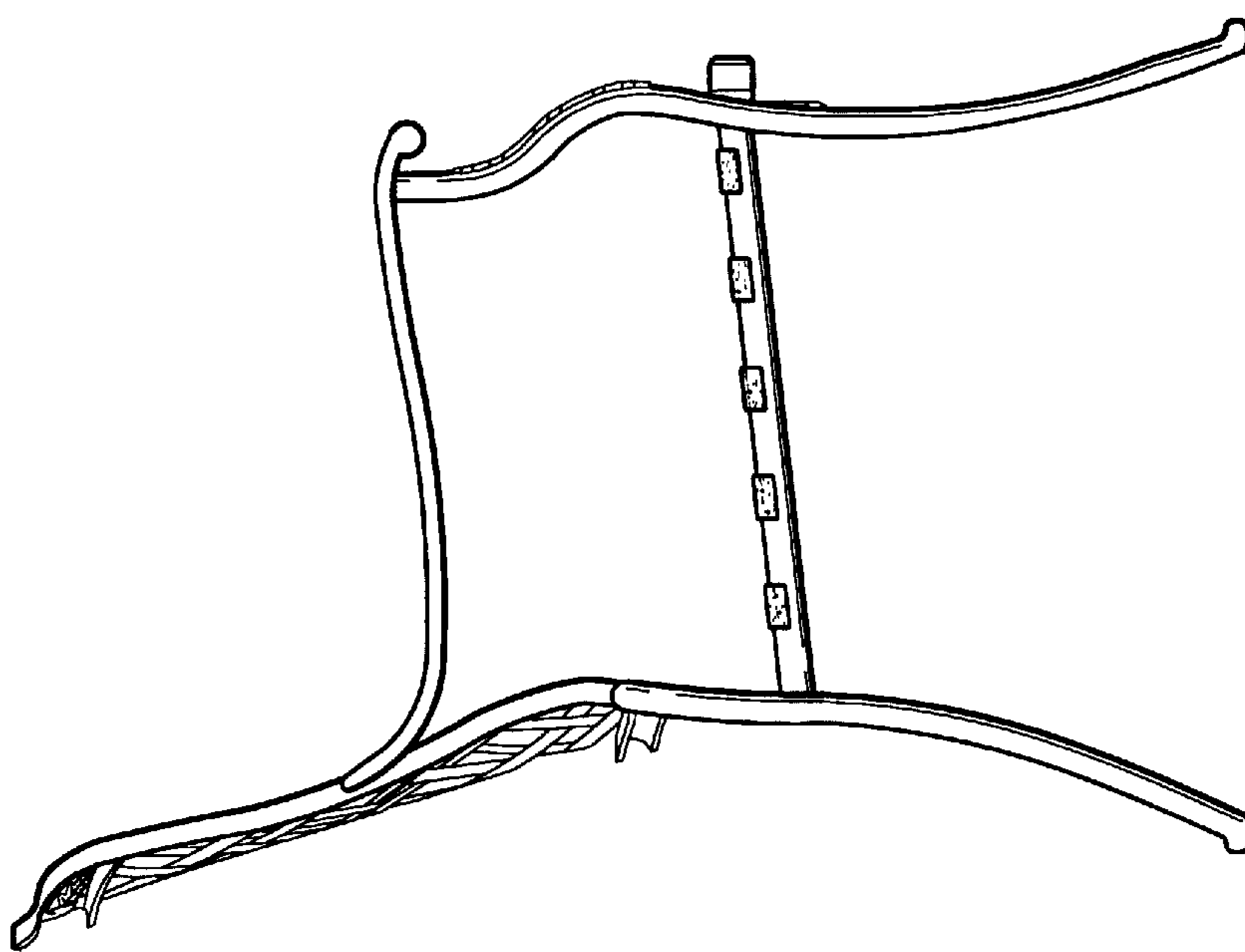


FIG. 4

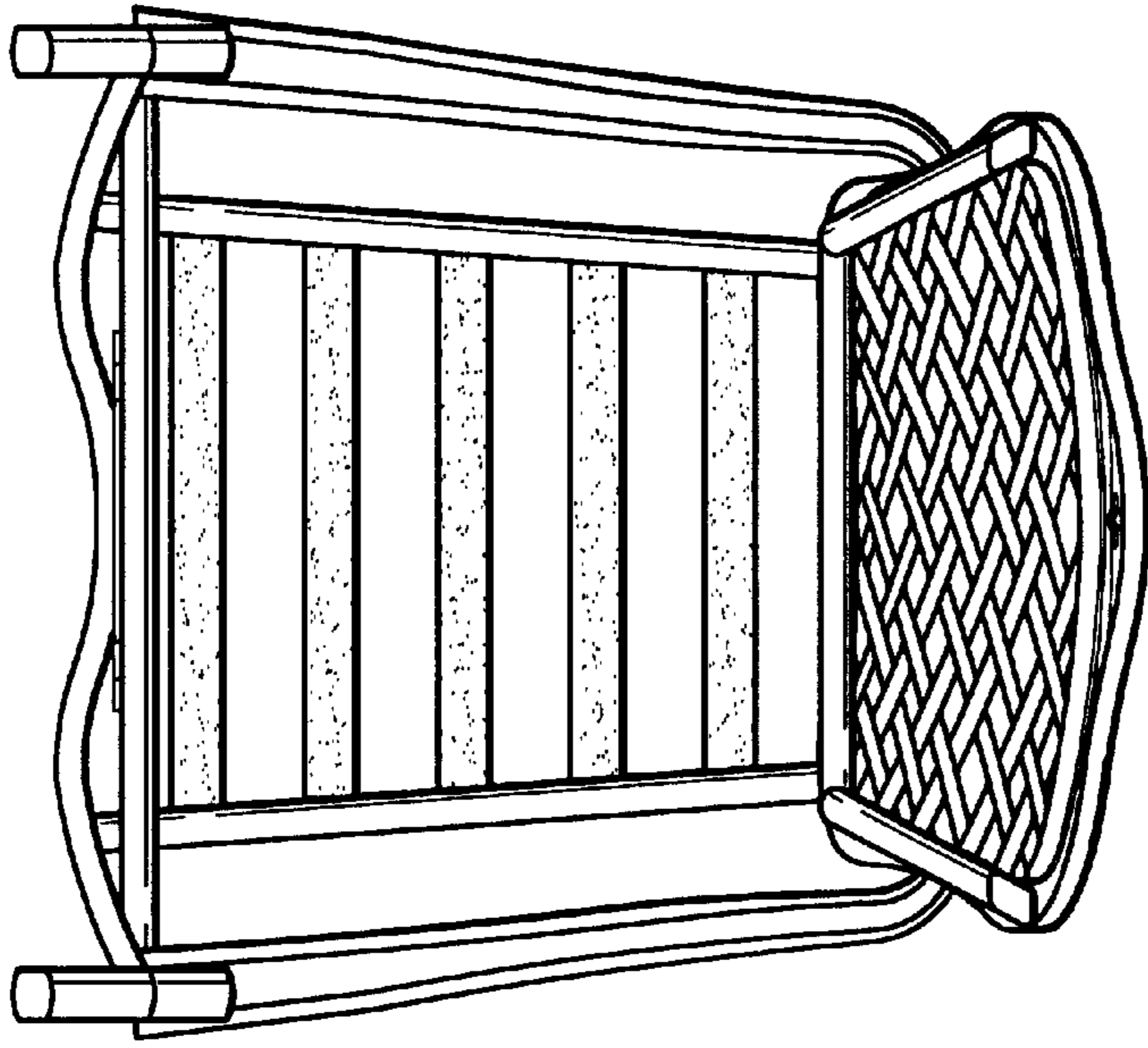


FIG. 7

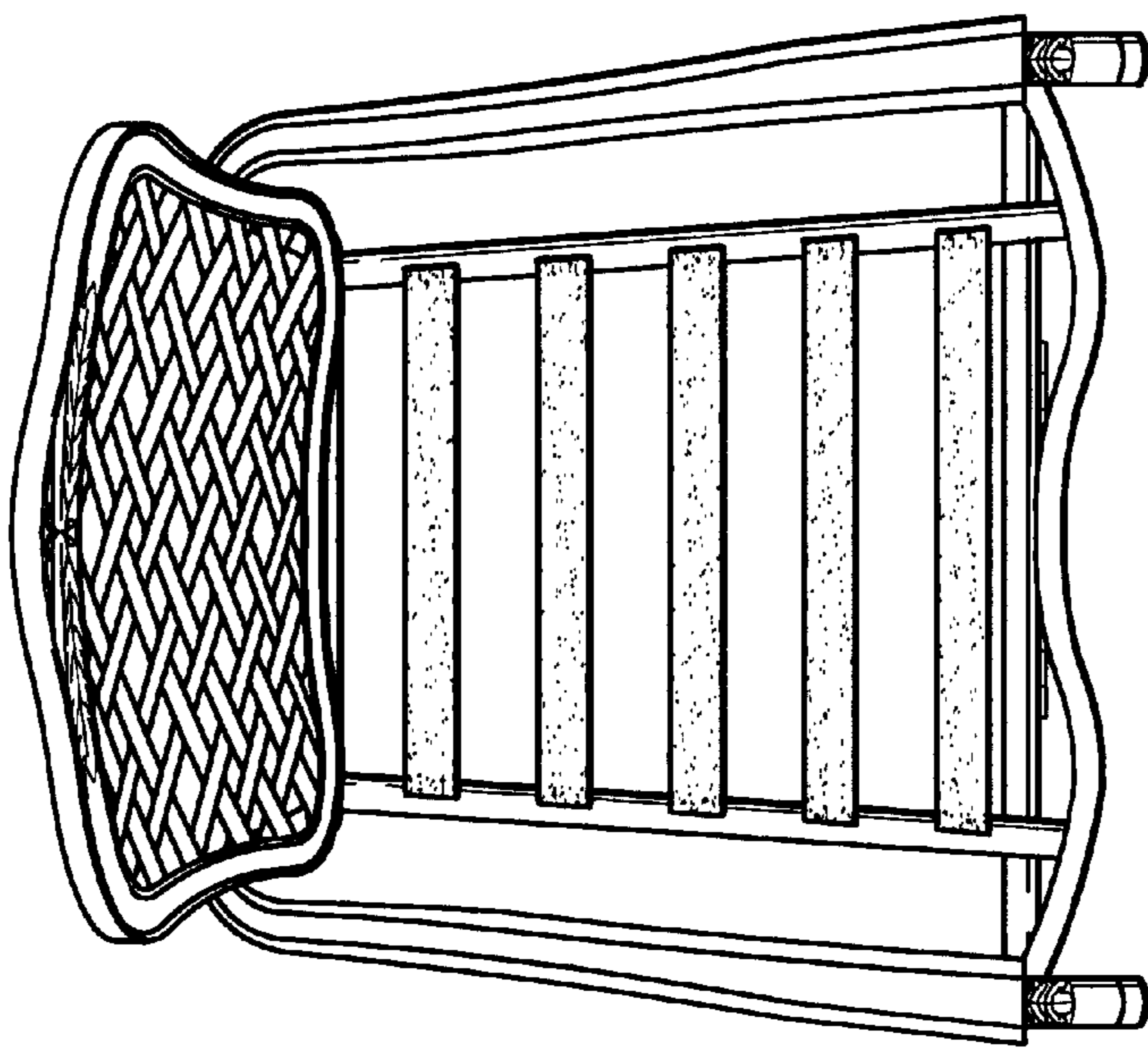


FIG. 6