



US00D487197S

(12) **United States Design Patent**  
**Edwards et al.**

(10) **Patent No.:** **US D487,197 S**  
(45) **Date of Patent:** **\*\* Mar. 2, 2004**

(54) **CHAIR**

(75) Inventors: **Thomas M. Edwards**, Spring Lake, MI (US); **Errol Pearsons**, Grand Haven, MI (US); **Bruce Gezon**, Caledonia, MI (US)

(73) Assignee: **First Source Furniture Group**, Nashville, TN (US)

(\*\*) Term: **14 Years**

(21) Appl. No.: **29/176,000**

(22) Filed: **Feb. 13, 2003**

(51) **LOC (7) Cl.** ..... **06-01**

(52) **U.S. Cl.** ..... **D6/366**

(58) **Field of Search** ..... D6/334, 335, 364, D6/365, 366, 367, 500, 501, 502; 297/411.2, 411.27, 411.28, 411.29, 411.36

(56) **References Cited**

**U.S. PATENT DOCUMENTS**

D233,712 S	11/1974	Koepke	
D233,720 S	11/1974	Koepke	
4,240,663 A	12/1980	Locher	
D259,598 S	6/1981	Locher	
D297,600 S	9/1988	Wilson	
D307,837 S	5/1990	Grant	
5,048,894 A	9/1991	Miyajima et al.	
D383,322 S	9/1997	Dammermann et al.	
D383,323 S	9/1997	Dammermann et al.	
D390,385 S	2/1998	Dammermann et al.	
D390,712 S	* 2/1998	Koepke et al.	D6/366
5,782,536 A	7/1998	Heidmann et al.	
D396,975 S	8/1998	Dammermann et al.	
D398,163 S	* 9/1998	Desanta	D6/366
D407,911 S	* 4/1999	Brauning	D6/366
D410,342 S	6/1999	Dammermann et al.	

D417,101 S	* 11/1999	DeSanta et al.	D6/500
D418,316 S	* 1/2000	Vogtherr	D6/366
D436,768 S	* 1/2001	Jenkins et al.	D6/500
D437,701 S	* 2/2001	Bellini et al.	D6/366
D444,309 S	* 7/2001	Nagamitsu	D6/366
D445,579 S	* 7/2001	Olson	D6/366
D445,613 S	* 7/2001	Ginat	D6/500
D446,033 S	* 8/2001	Koepke et al.	D6/366
D449,172 S	10/2001	Van De Riet et al.	
D449,938 S	11/2001	Van De Riet et al.	
D455,571 S	4/2002	Van De Riet et al.	
D456,160 S	4/2002	Van De Riet et al.	
D456,164 S	4/2002	Van De Riet et al.	
D460,870 S	7/2002	Van De Riet et al.	
D468,121 S	* 1/2003	Lepper et al.	D6/366
D476,834 S	* 7/2003	Bartlmae	D6/500
D477,469 S	* 7/2003	Brooks	D6/366
D469,618 S	* 8/2003	Nagamitsu	D6/366

\* cited by examiner

*Primary Examiner*—Doris V. Coles

*Assistant Examiner*—T. Chase Nelson

(74) *Attorney, Agent, or Firm*—Flynn, Thiel, Boutell & Tanis, P.C.

(57)

**CLAIM**

The ornamental design for a chair, as shown and described.

**DESCRIPTION**

FIG. 1 is a perspective front view of the chair of the invention;

FIG. 2 is a front view thereof;

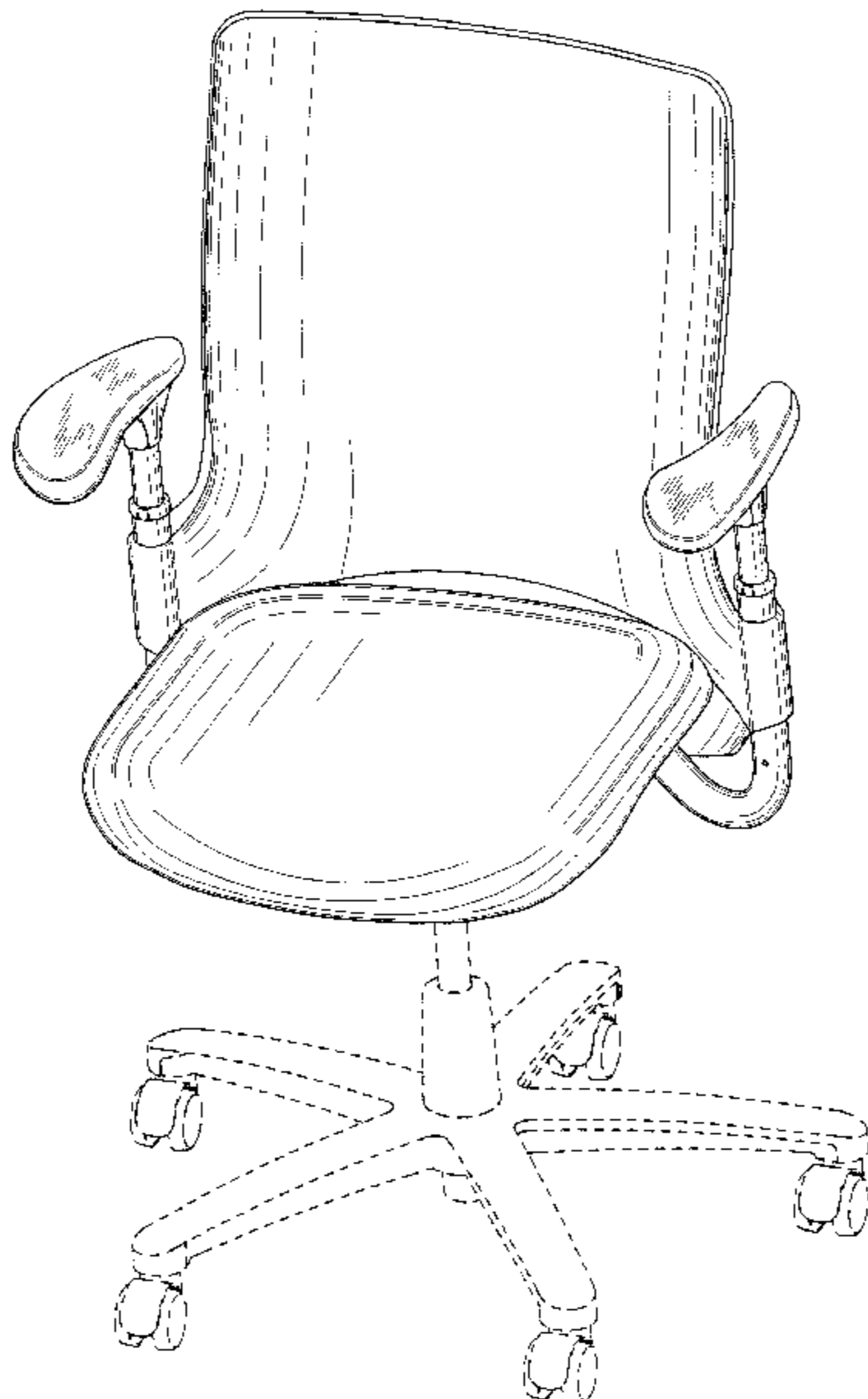
FIG. 3 is a side view thereof;

FIG. 4 is a rear view thereof; and,

FIG. 5 is a top view thereof.

The broken line showings of the chair pedestal are solely for the purpose of illustrating environmental structure, and form no part of the inventive design.

**1 Claim, 5 Drawing Sheets**



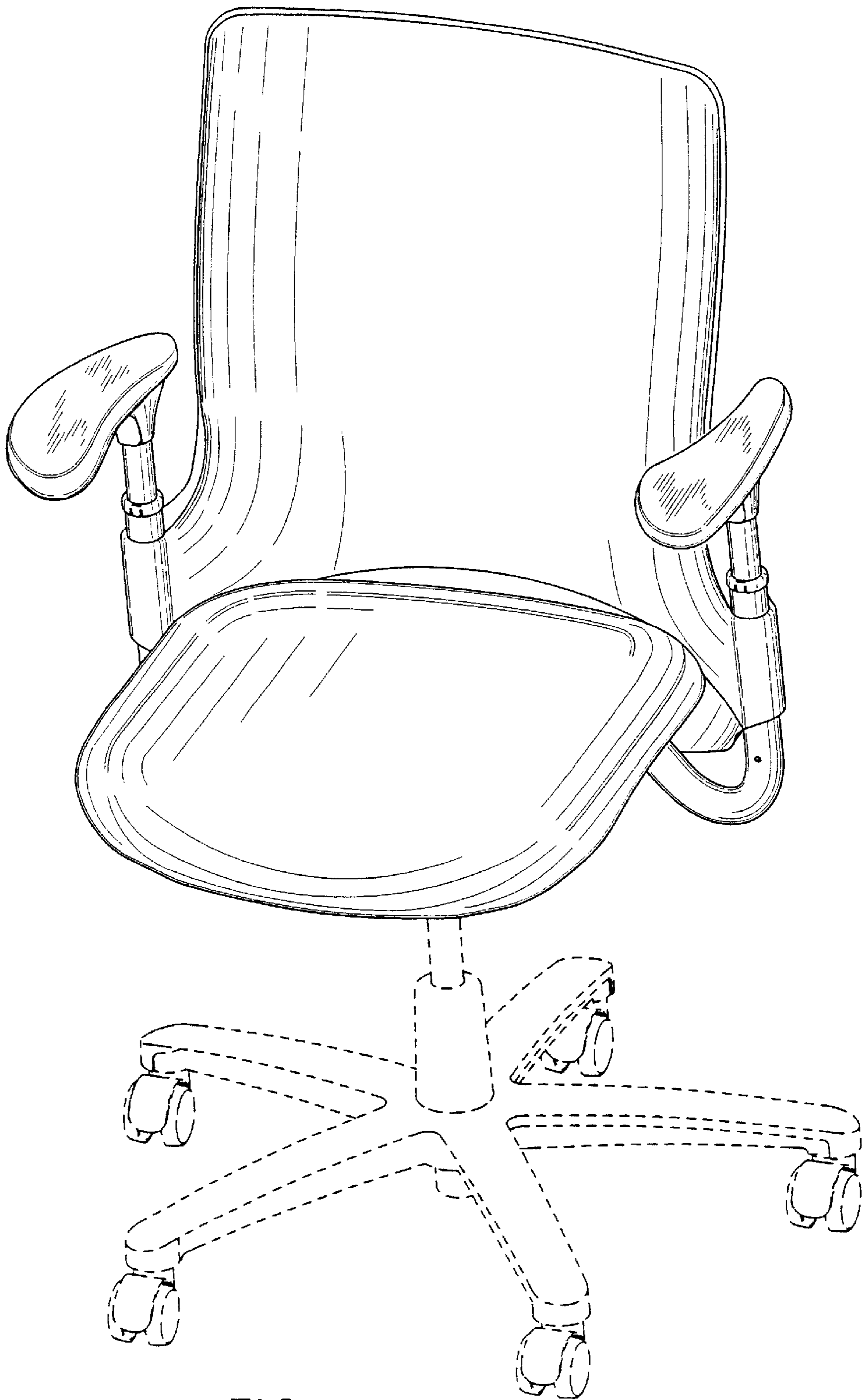


FIG. 1

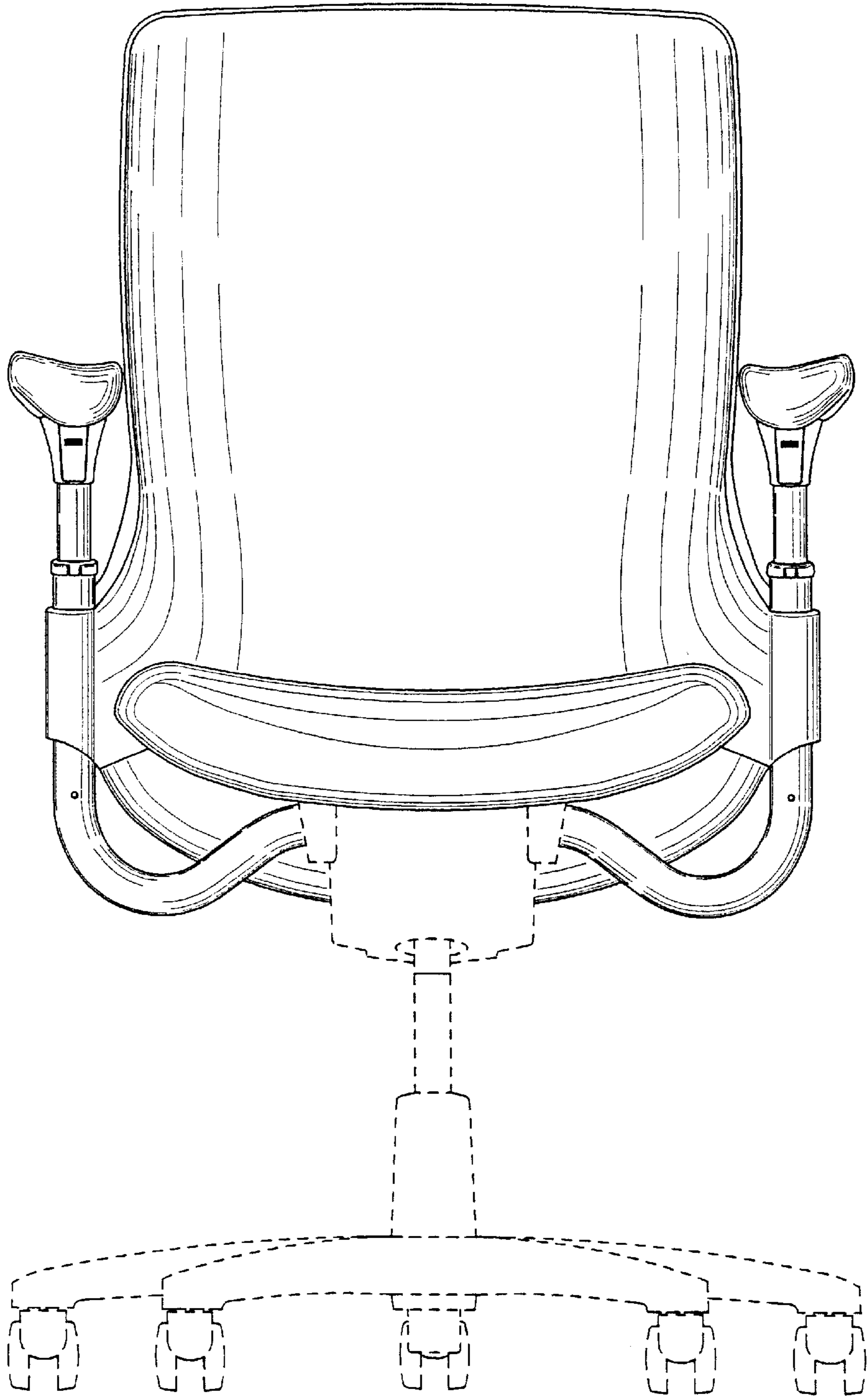


FIG. 2

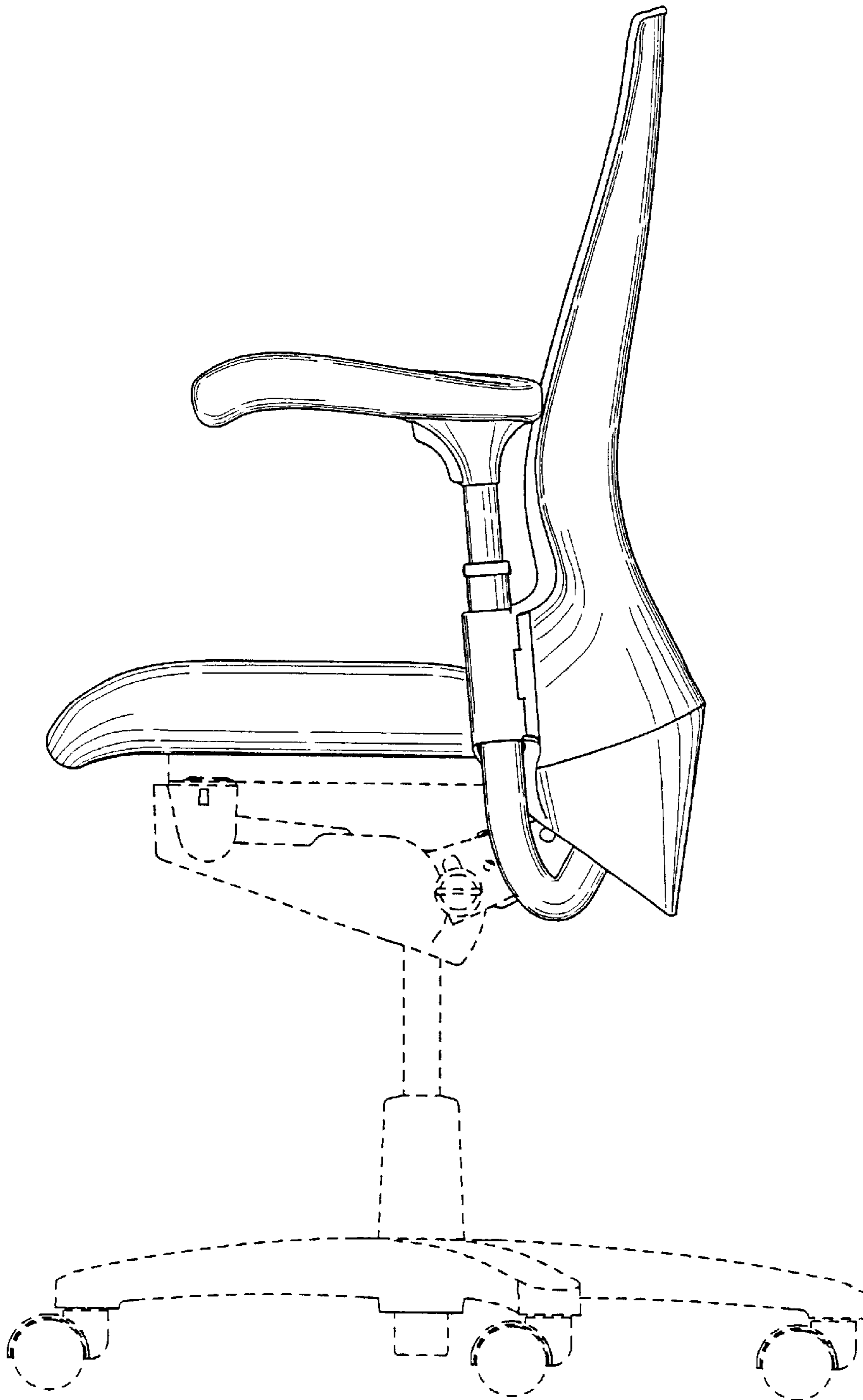


FIG. 3

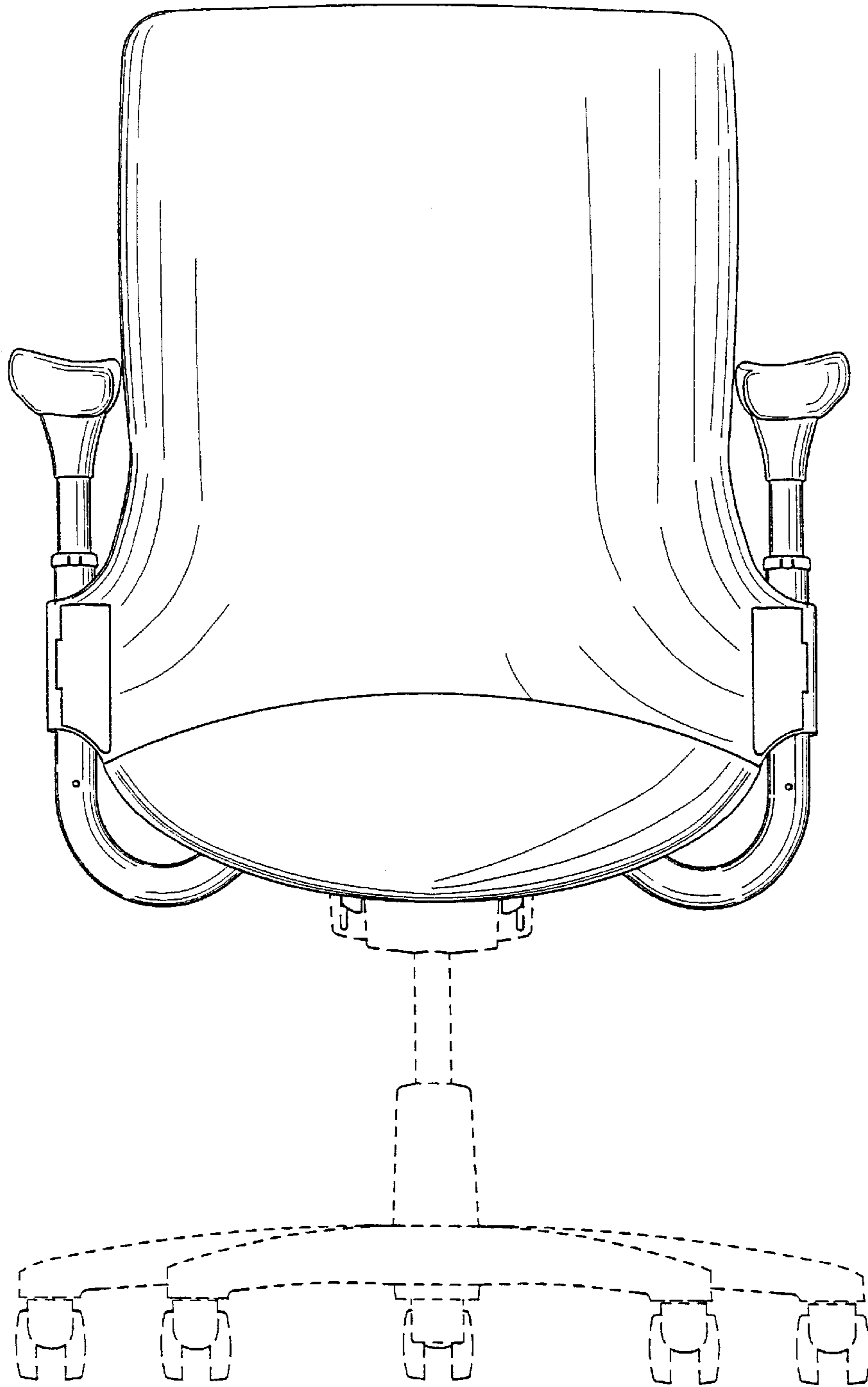


FIG. 4

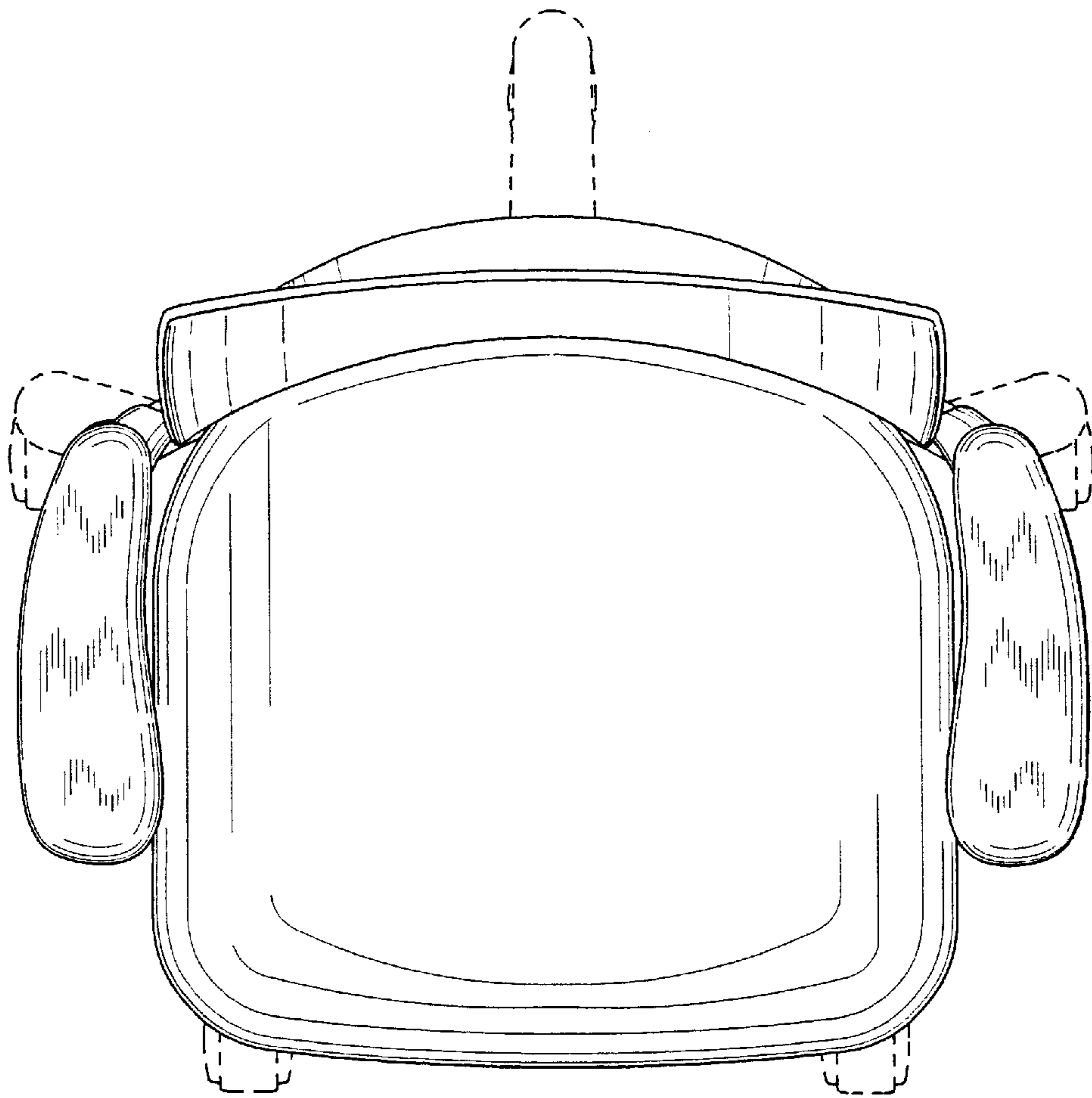


FIG. 5