



US00D487196S

(12) **United States Design Patent**  
**Krayeski**

(10) **Patent No.:** **US D487,196 S**

(45) **Date of Patent:** **\*\* Mar. 2, 2004**

(54) **BREAST FEEDING CHAIR**

(76) **Inventor:** **Laura Krayeski**, 21 Matthews St.,  
Terryville, CT (US) 06786

(\*\*) **Term:** **14 Years**

(21) **Appl. No.:** **29/182,453**

(22) **Filed:** **May 27, 2003**

(51) **LOC (7) Cl.** ..... **06-01**

(52) **U.S. Cl.** ..... **D6/336; D6/344**

(58) **Field of Search** ..... D6/334, 335, 336,  
D6/344, 347, 348, 369, 370-373, 379, 381,  
492, 495, 500-502; 297/273, 281, 282,  
411.42, 411.45, 135, 145, 160

(56) **References Cited**

**U.S. PATENT DOCUMENTS**

2,503,543 A \* 4/1950 Caston ..... 297/145  
5,050,929 A \* 9/1991 Gueringer et al. .... 297/145  
D328,983 S \* 9/1992 Fong ..... D6/369

D353,267 S \* 12/1994 Desnoyers ..... D6/344  
D362,969 S \* 10/1995 Desnoyers ..... D6/344  
5,765,911 A \* 6/1998 Sorenson ..... 297/173  
D458,775 S \* 6/2002 Desnoyers ..... D6/492

\* cited by examiner

*Primary Examiner*—Robert M. Spear

*Assistant Examiner*—Mimosa De

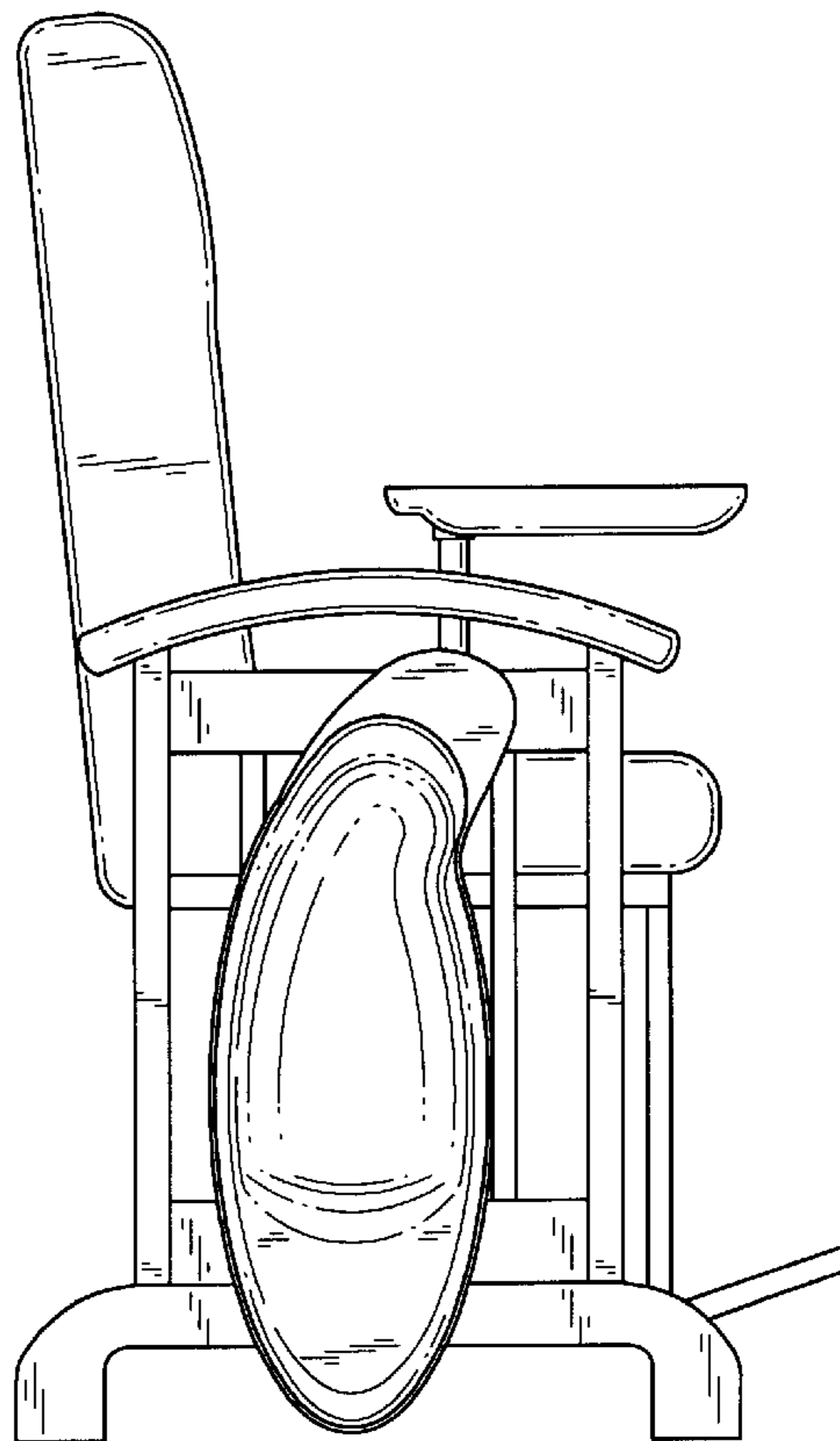
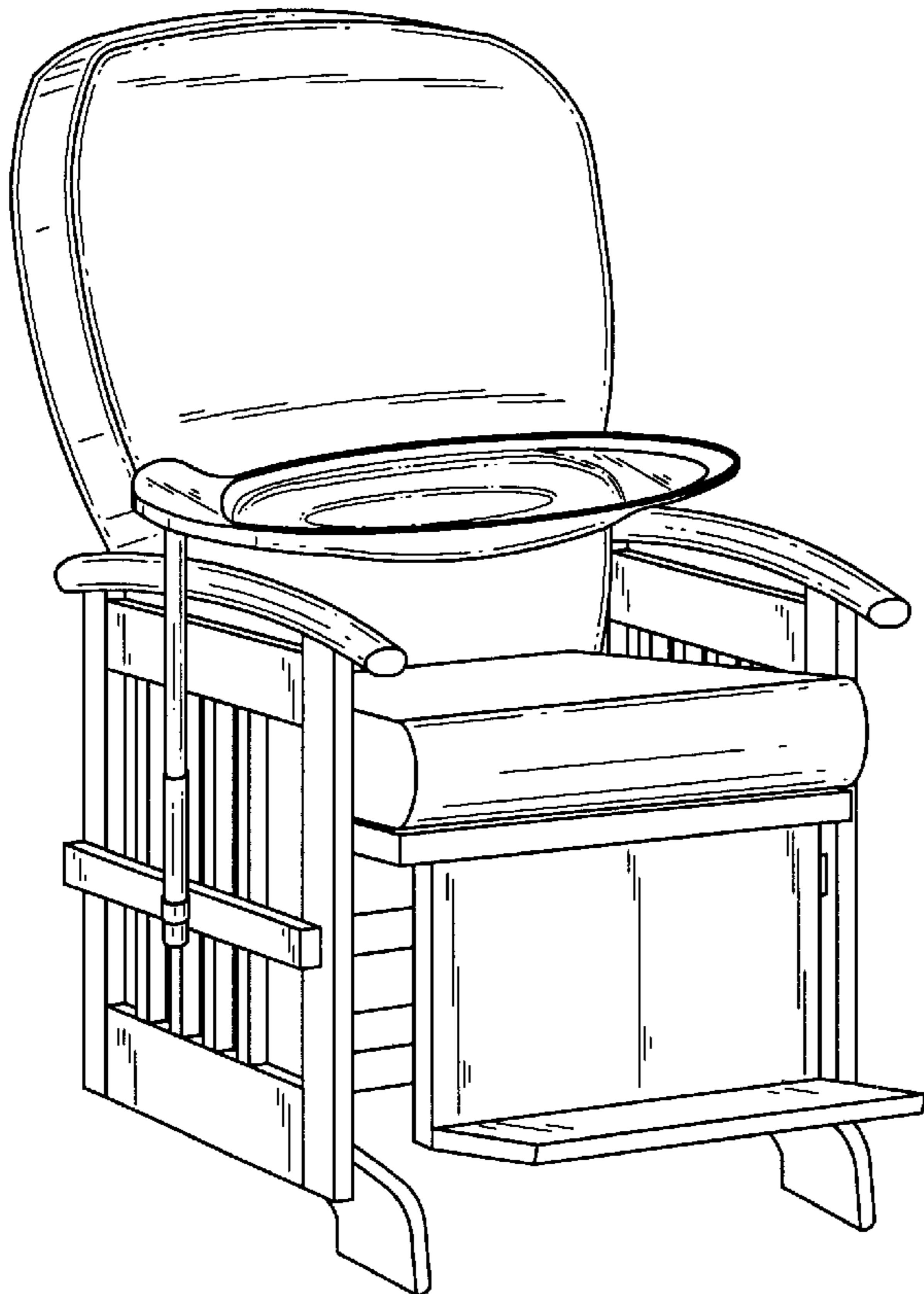
(57) **CLAIM**

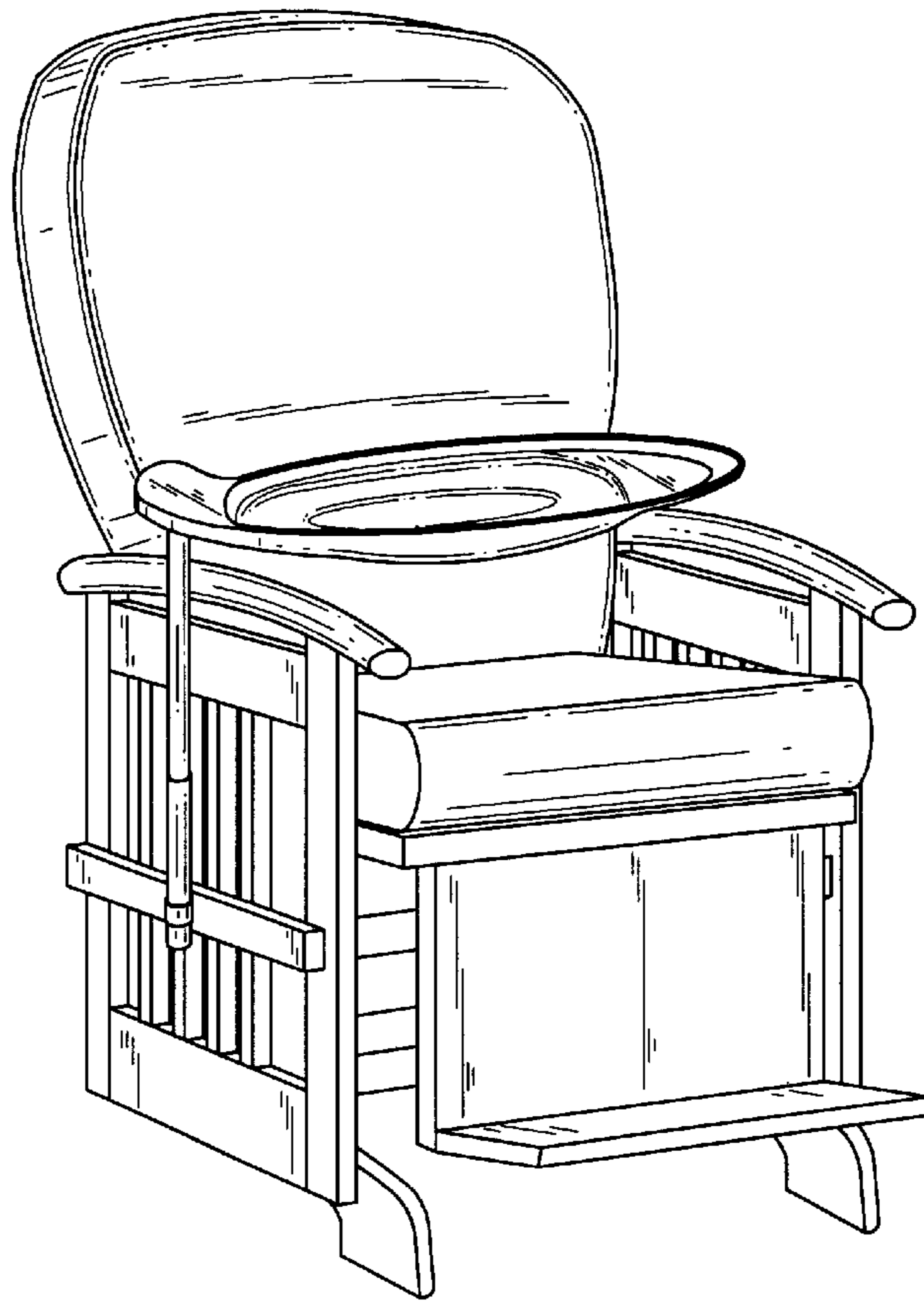
The ornamental design for a breast feeding chair, as shown and described.

**DESCRIPTION**

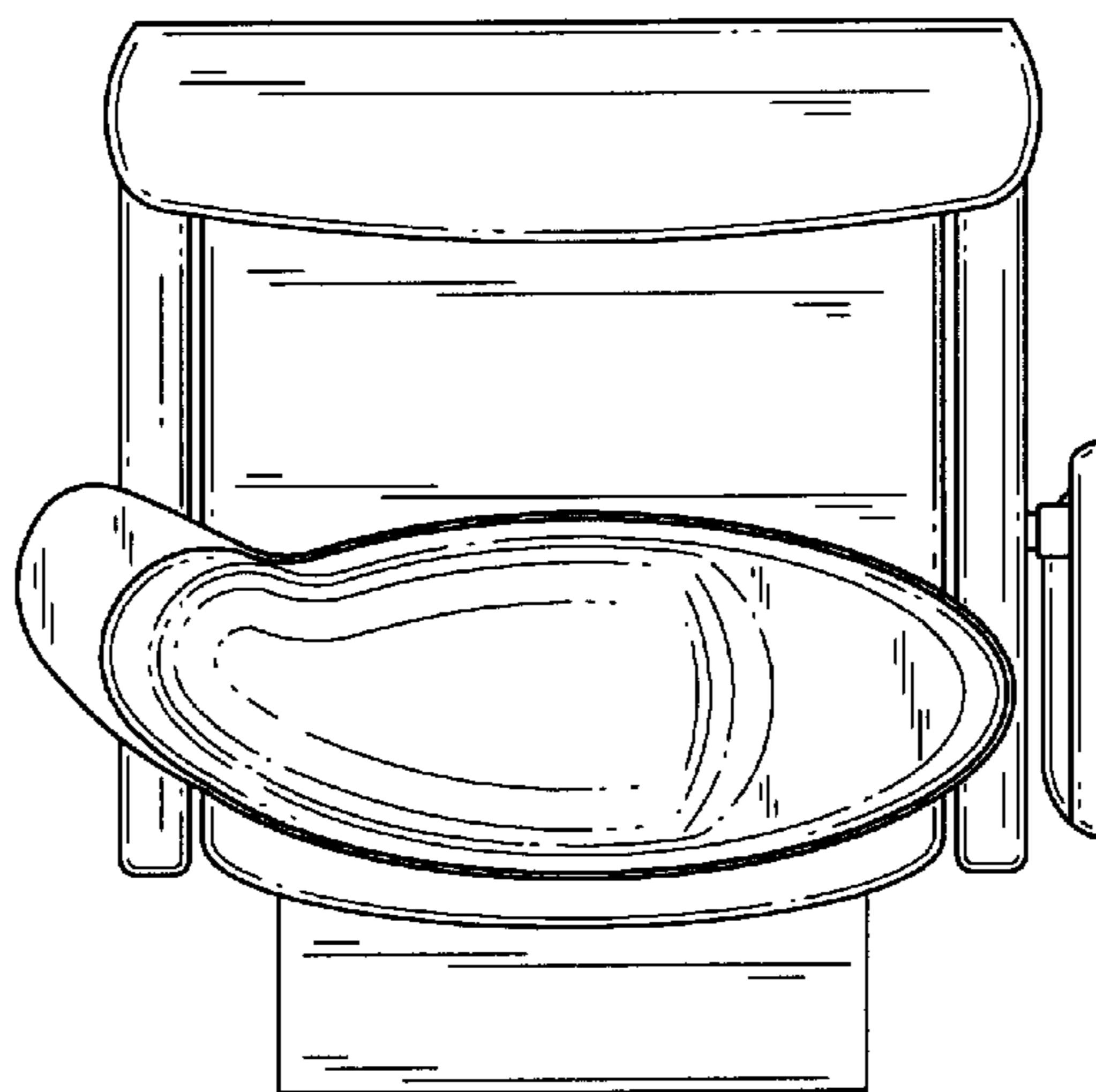
FIG. 1 is a perspective view of the breast feeding chair, FIG. 2 is a top view thereof, FIG. 3 is a front view thereof, FIG. 4 is a rear view of the chair, FIG. 5 is a bottom view of the breast feeding chair; and, FIG. 6 is a left hand side view of the chair with its arm rest in a stored position.

**1 Claim, 3 Drawing Sheets**





*FIG. 1*



*FIG. 2*

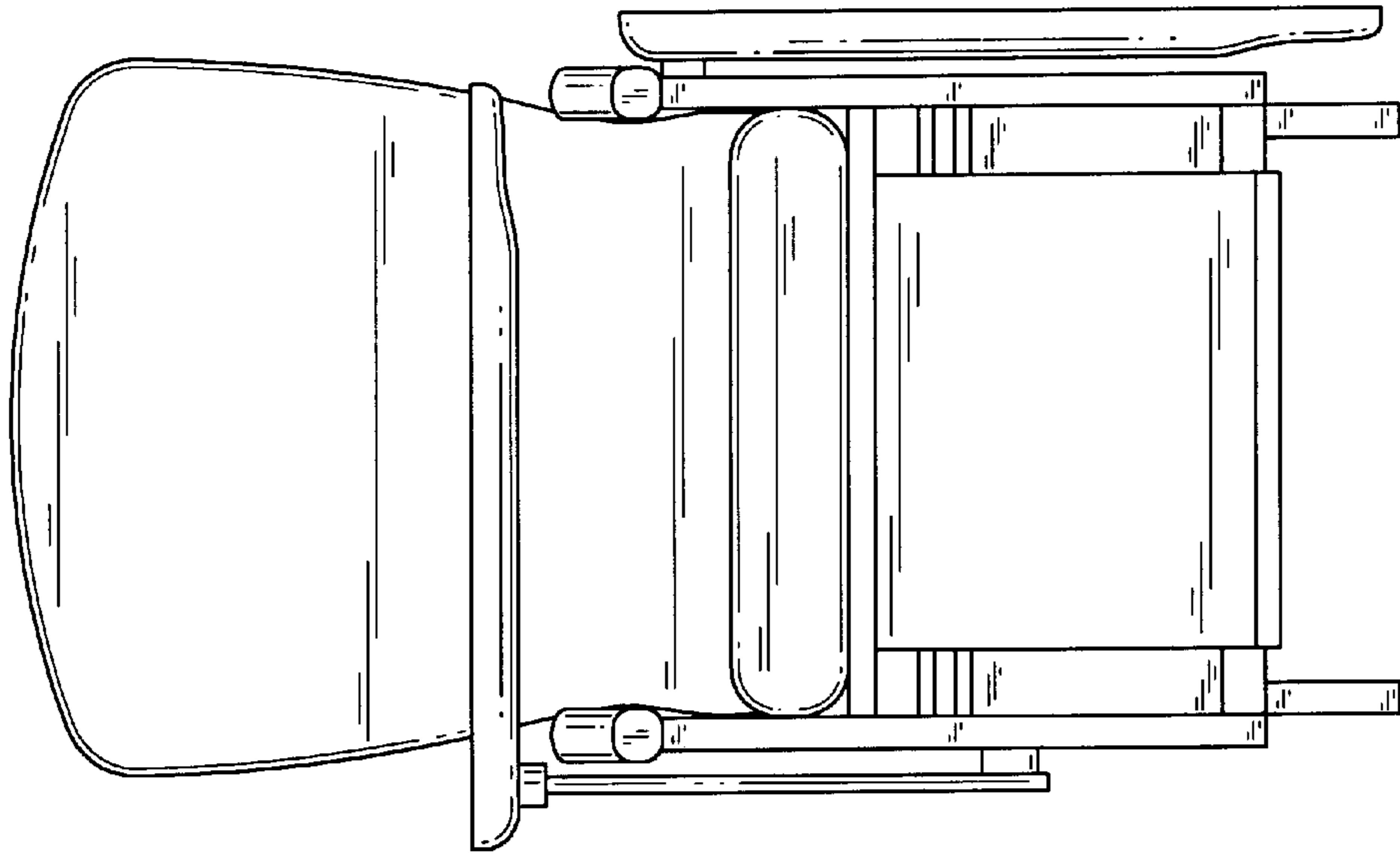


FIG. 3

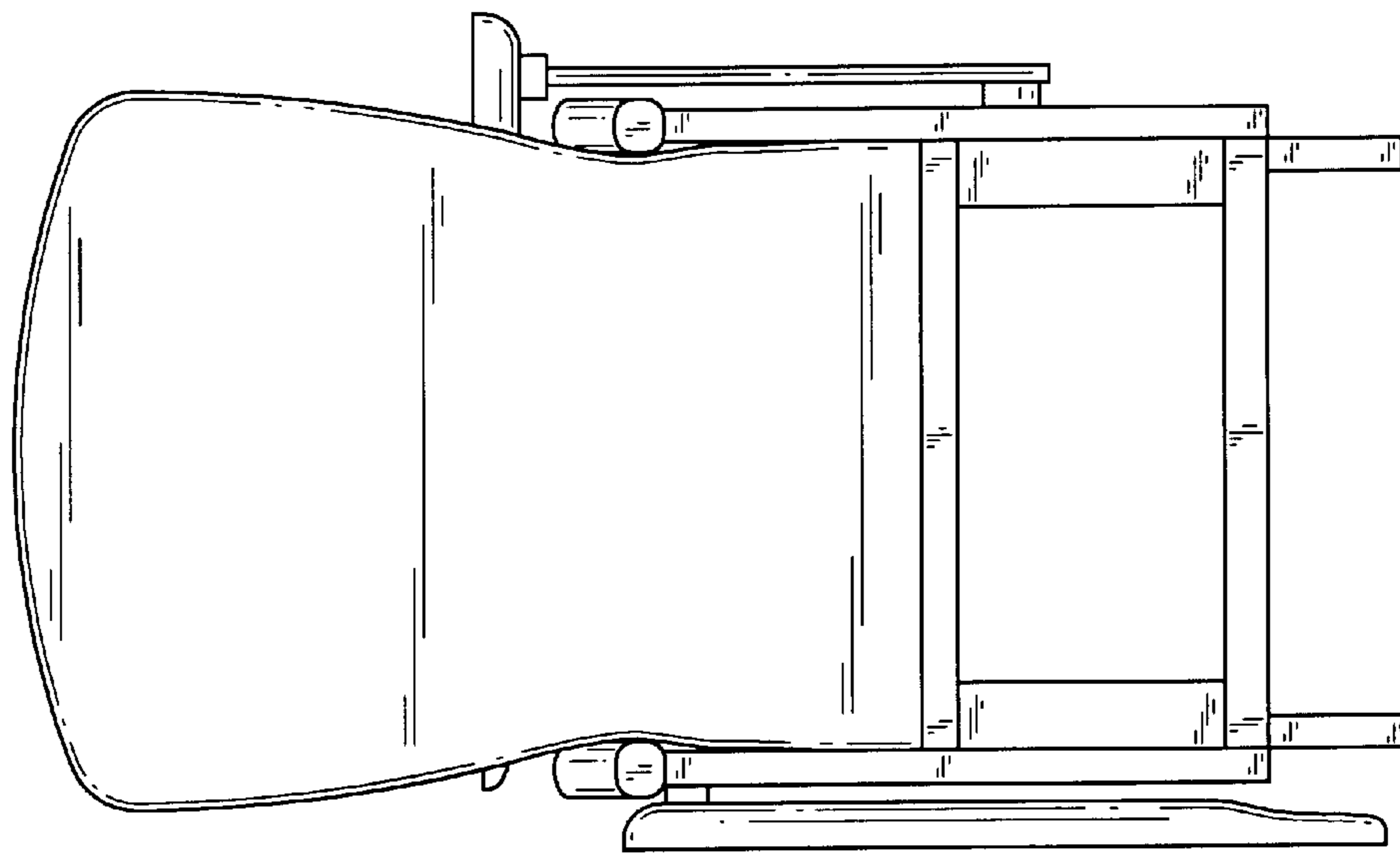
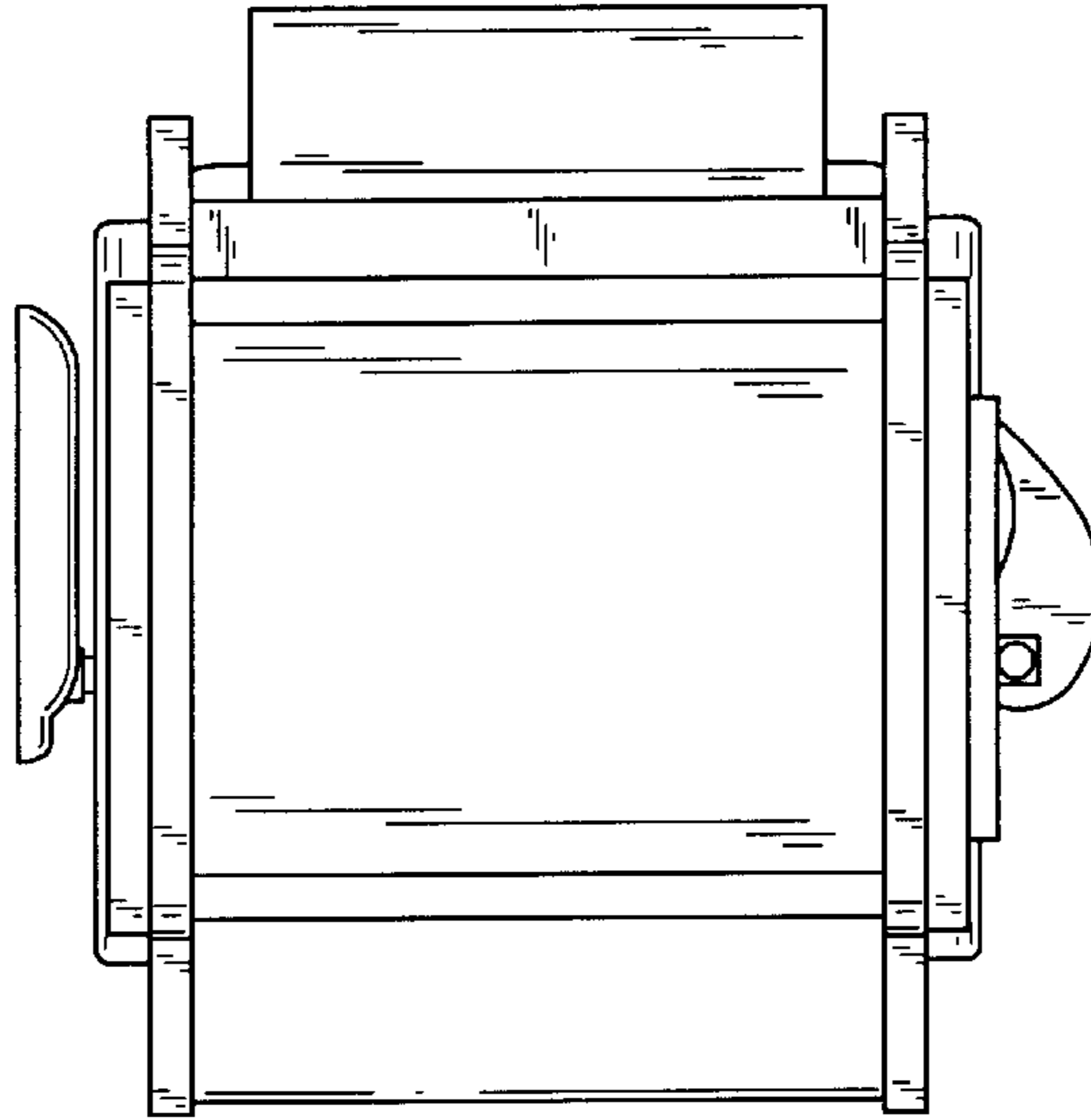
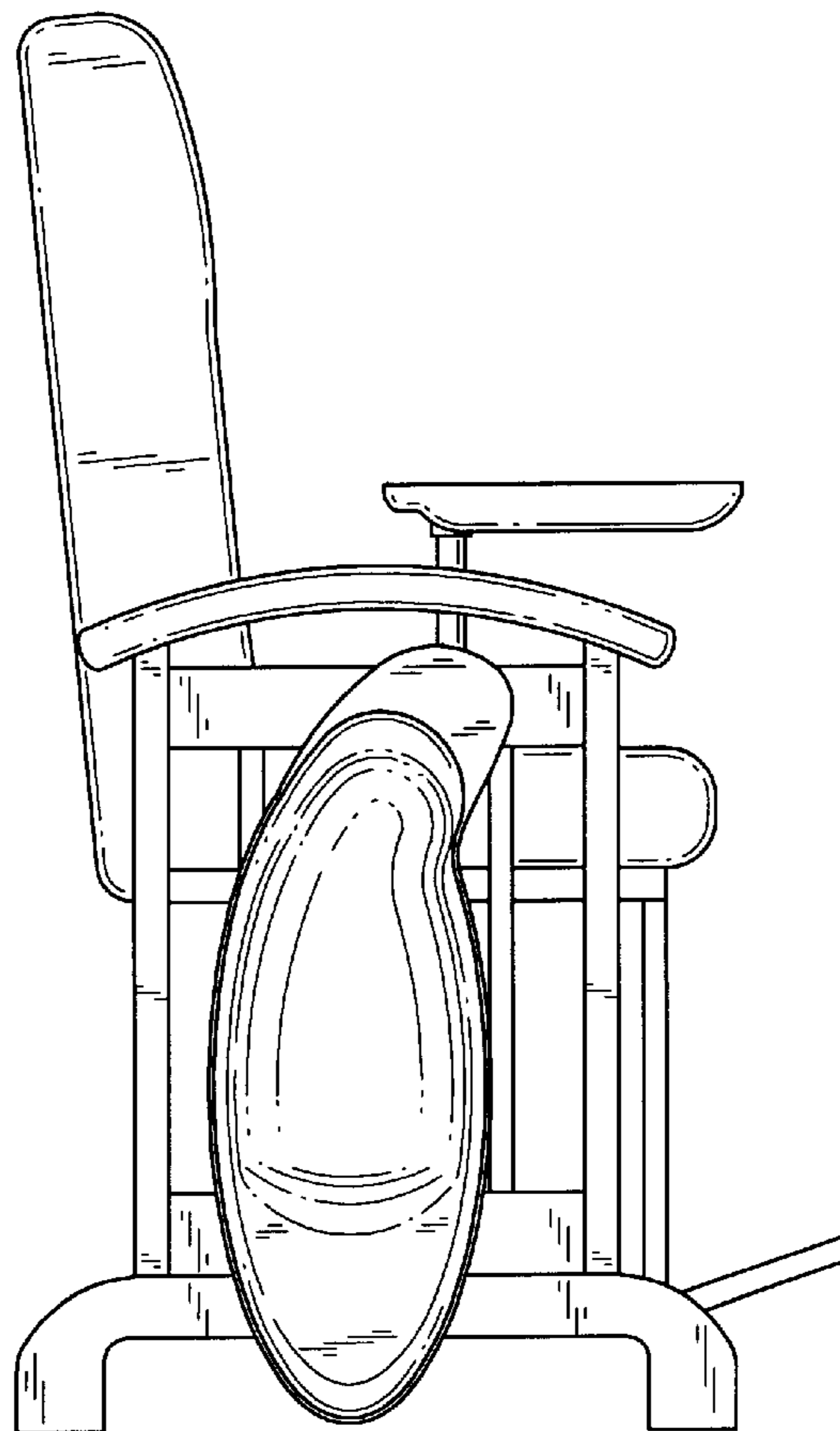


FIG. 4



*FIG. 5*



*FIG. 6*