



US00D487194S

(12) **United States Design Patent**
Liu

(10) **Patent No.:** **US D487,194 S**

(45) **Date of Patent:** **** Mar. 2, 2004**

(54) **TOOL KIT SOCKET BOARD**

D446,018 S * 8/2001 Streich et al. D3/319
6,474,481 B1 * 11/2002 Liu 211/69

(75) Inventor: **Yung-Yuan Liu**, Taiping (TW)

* cited by examiner

(73) Assignee: **Shiau Yuan Enterprise Co., Ltd.**,
Taichung (TW)

Primary Examiner—Catherine R. Oliver
(74) *Attorney, Agent, or Firm*—Rosenberg, Klein & Lee

(**) Term: **14 Years**

(57) **CLAIM**

(21) Appl. No.: **29/168,910**

The ornamental design for a tool kit socket board, as shown and described.

(22) Filed: **Oct. 11, 2002**

DESCRIPTION

(51) **LOC (7) Cl.** **03-99**

(52) **U.S. Cl.** **D3/319; D3/905**

(58) **Field of Search** D3/319, 315-320,
D3/305, 308, 905, 313, 201, 304, 307,
282, 273, 276, 283, 284; 206/372, 373,
338, 377-379

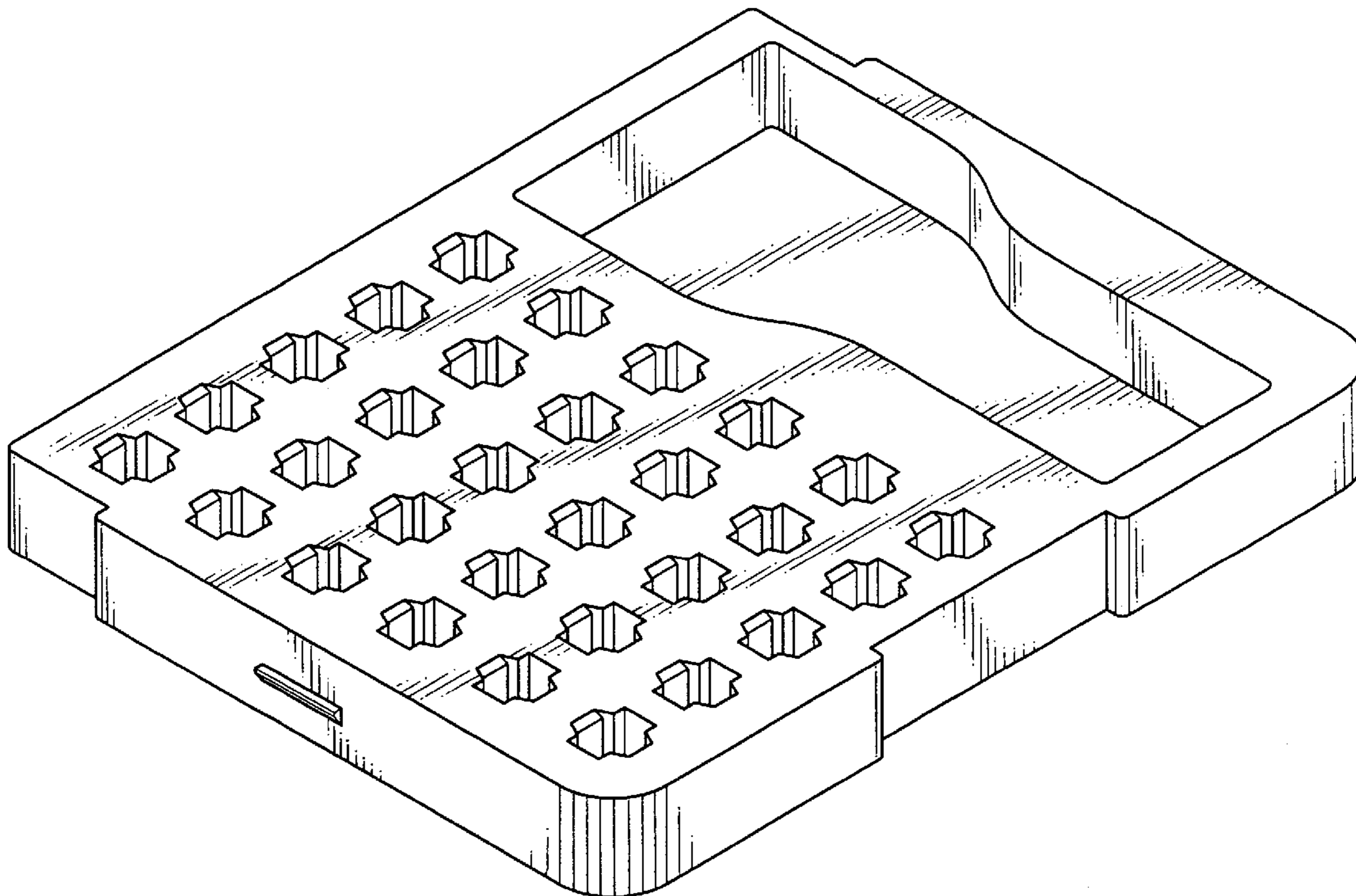
FIG. 1 is a perspective view of tool kit socket board showing my new design,
FIG. 2 is a front elevation view thereof,
FIG. 3 is a rear elevation view thereof,
FIG. 4 is a left side elevation view thereof,
FIG. 5 is a right side elevation view thereof,
FIG. 6 is a top plan view thereof,
FIG. 7 is a bottom plan view thereof; and,
FIG. 8 is a rear perspective view thereof.

(56) **References Cited**

U.S. PATENT DOCUMENTS

D414,936 S * 10/1999 Doubek D3/315
D419,772 S * 2/2000 Williams D3/313

1 Claim, 4 Drawing Sheets



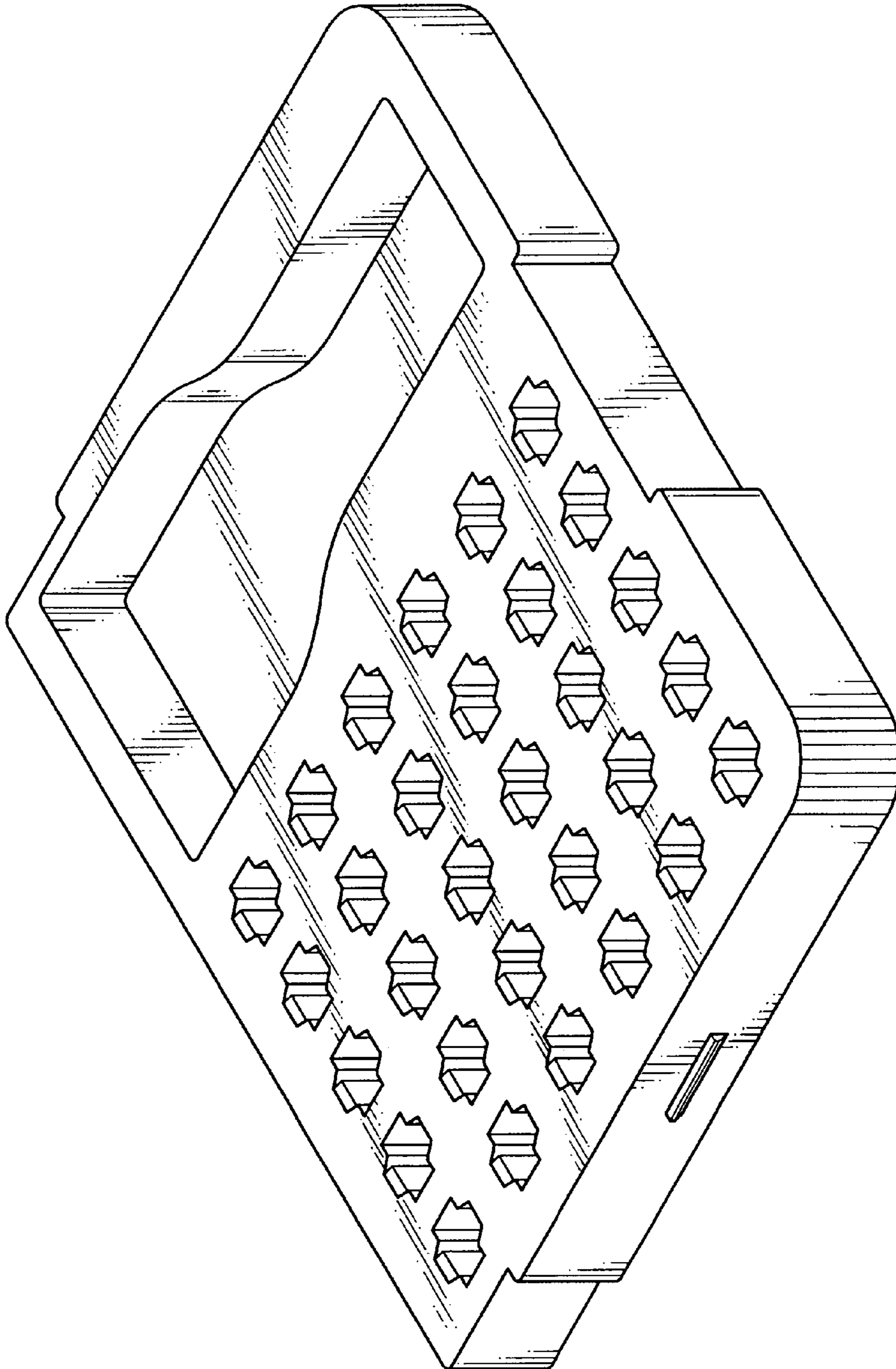


FIG. 1

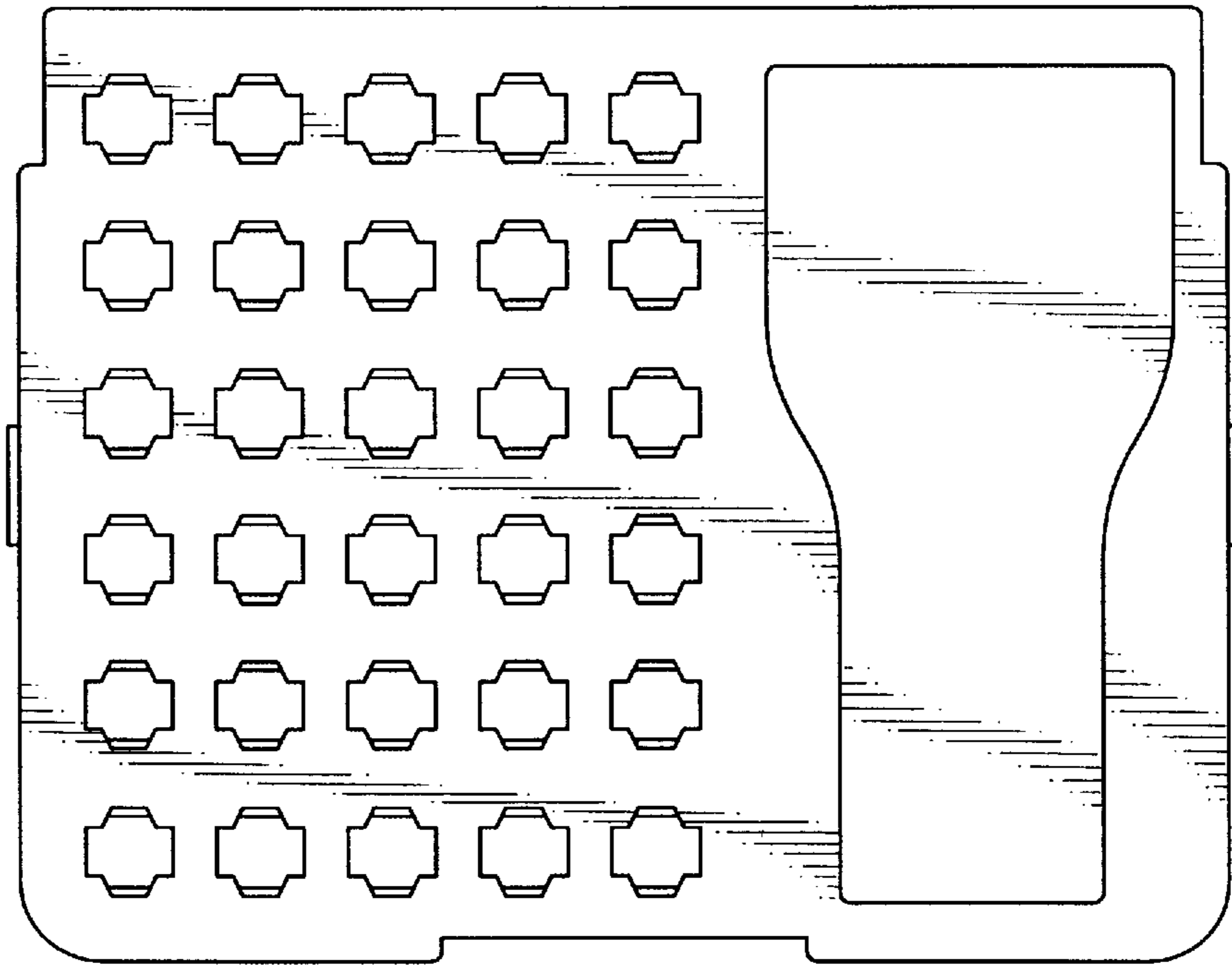


FIG. 2

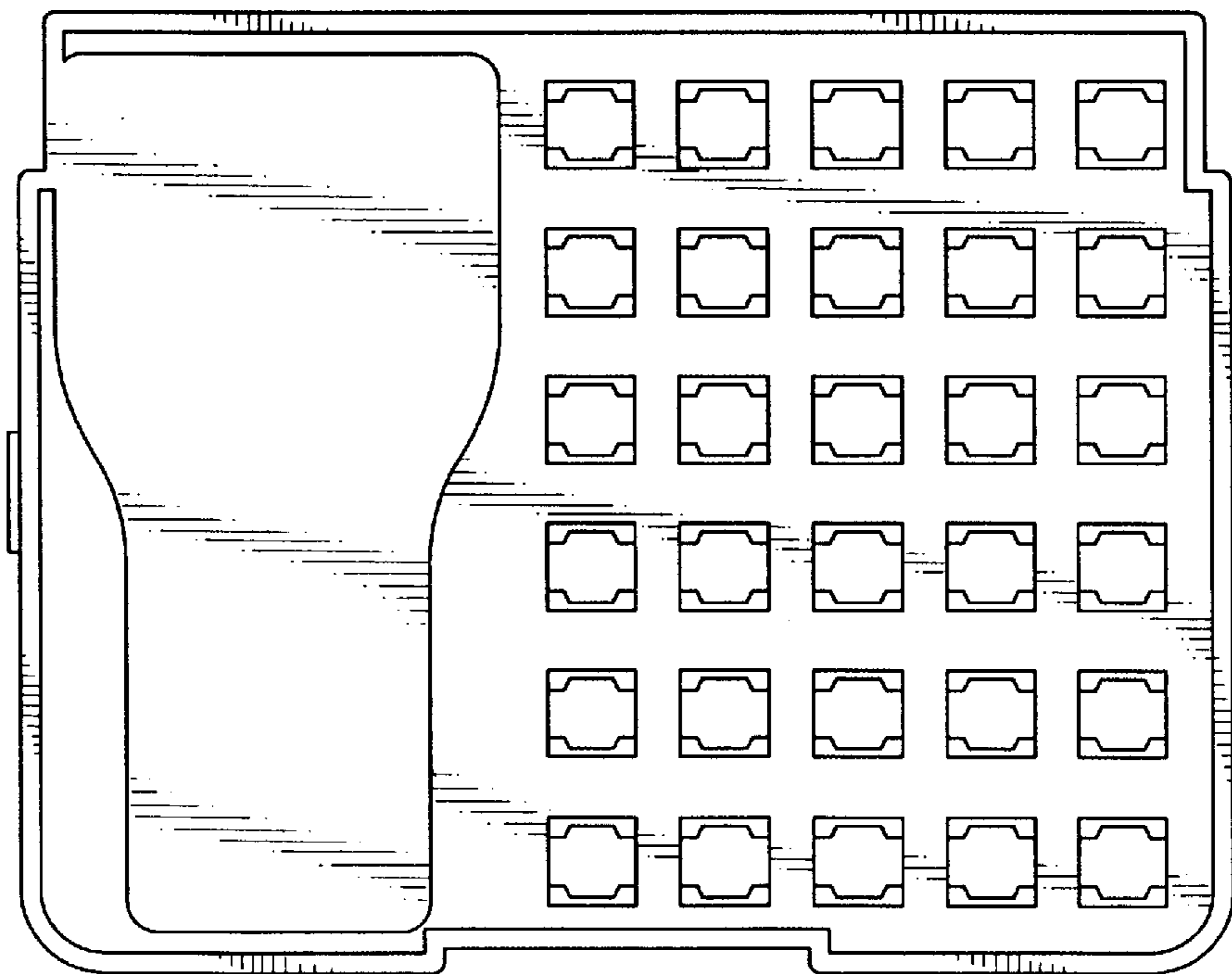


FIG. 3

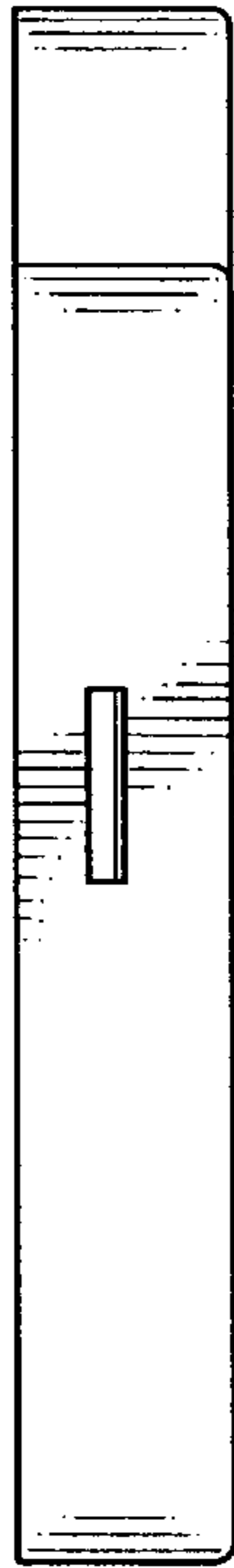


FIG. 4

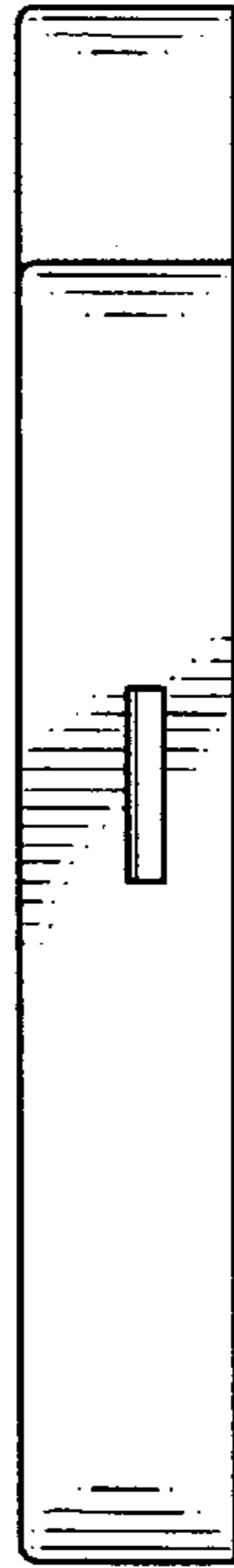


FIG. 5

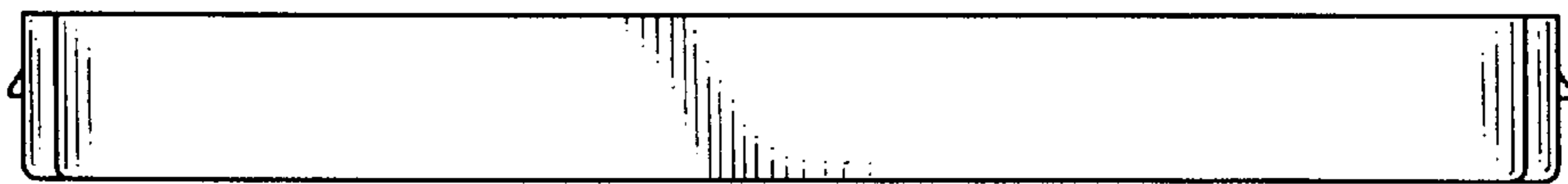


FIG. 6

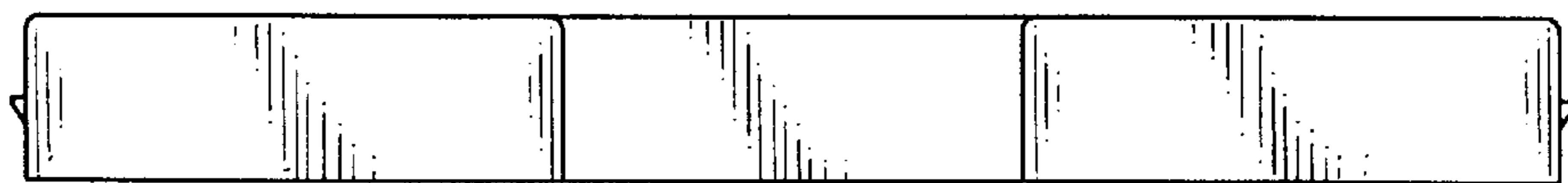


FIG. 7

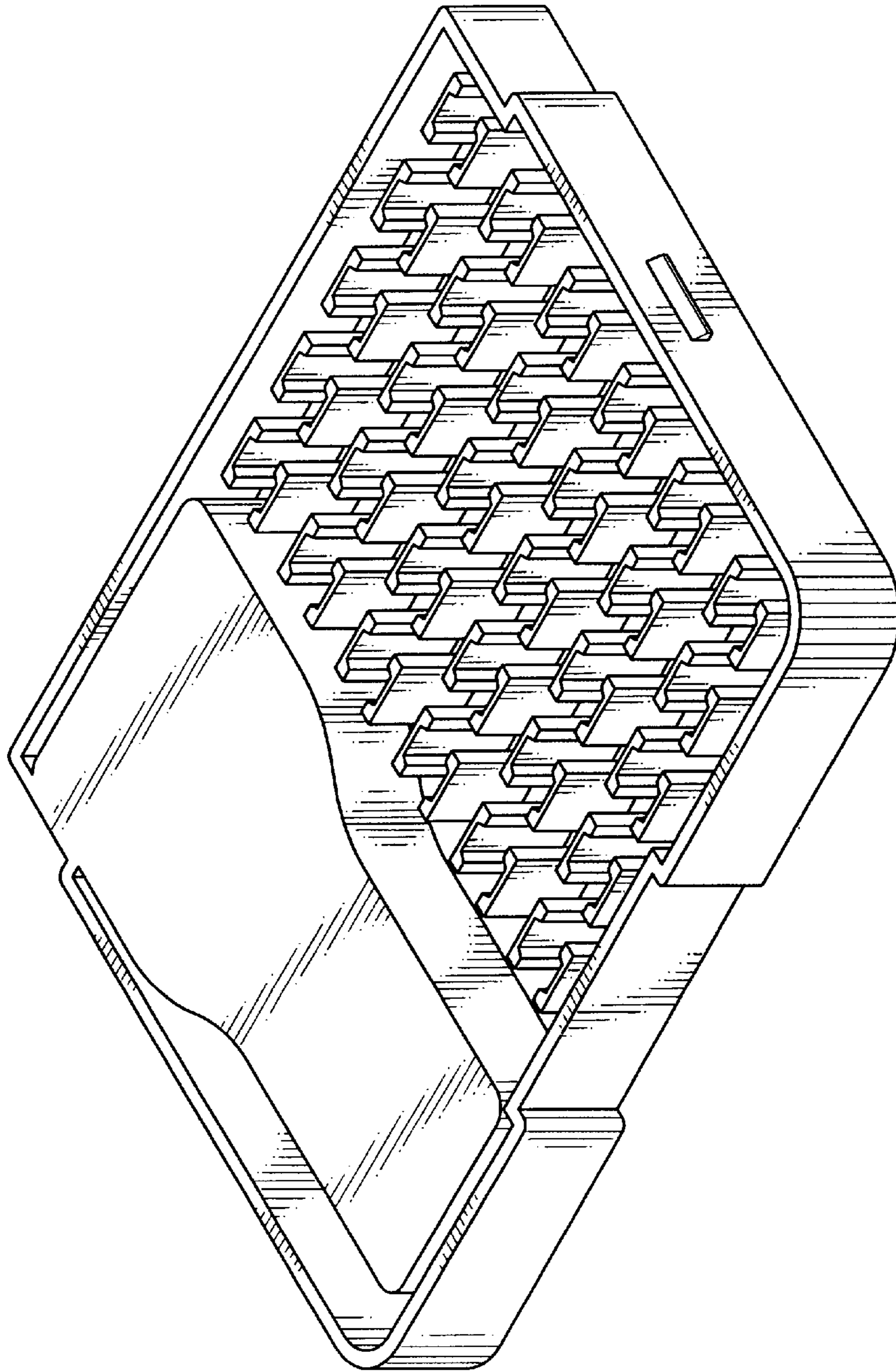


FIG. 8