



US00D487193S

(12) **United States Design Patent**
Liu

(10) **Patent No.:** **US D487,193 S**

(45) **Date of Patent:** **** Mar. 2, 2004**

(54) **CONTAINER FOR HAND TOOLS AND PARTS**

D342,364 S * 12/1993 Hobson D3/313
5,743,416 A * 4/1998 Yemini 211/70.6
6,484,892 B1 * 11/2002 Gooner 211/70.6

(75) Inventor: **George Liu**, Taichung (TW)

* cited by examiner

(73) Assignee: **Ever-Shiny Products Corp.**, Taichung (TW)

Primary Examiner—Louis S. Zarfes

Assistant Examiner—Deanne Levy

(**) Term: **14 Years**

(74) *Attorney, Agent, or Firm*—Troxell Law Office PLLC

(21) Appl. No.: **29/169,726**

(57) **CLAIM**

(22) Filed: **Oct. 25, 2002**

The ornamental design for the “container for hand tools and parts”, as shown and described.

(51) **LOC (7) Cl.** **03-01**

DESCRIPTION

(52) **U.S. Cl.** **D3/313**

(58) **Field of Search** D3/304, 313; D12/425, D12/426; D6/512, 567, 574; 224/482; 211/70.6, 87.01, 88.01, 126.1, 126.5; D7/550.1, 553.1, 553.2, 555; 206/207, 557, 558, 561; D24/227, 229, 230; D9/341, 432; 248/176.1, 317

FIG. 1 is a perspective view of a container for hand tools and parts showing my new design;
FIG. 2 is a front view thereof;
FIG. 3 is a rear view thereof;
FIG. 4 is a right and left side view thereof;
FIG. 5 is a top view thereof;
FIG. 6 is a bottom view thereof; and,
FIG. 7 is a perspective view of a container for hand tools and parts in a condition of use.

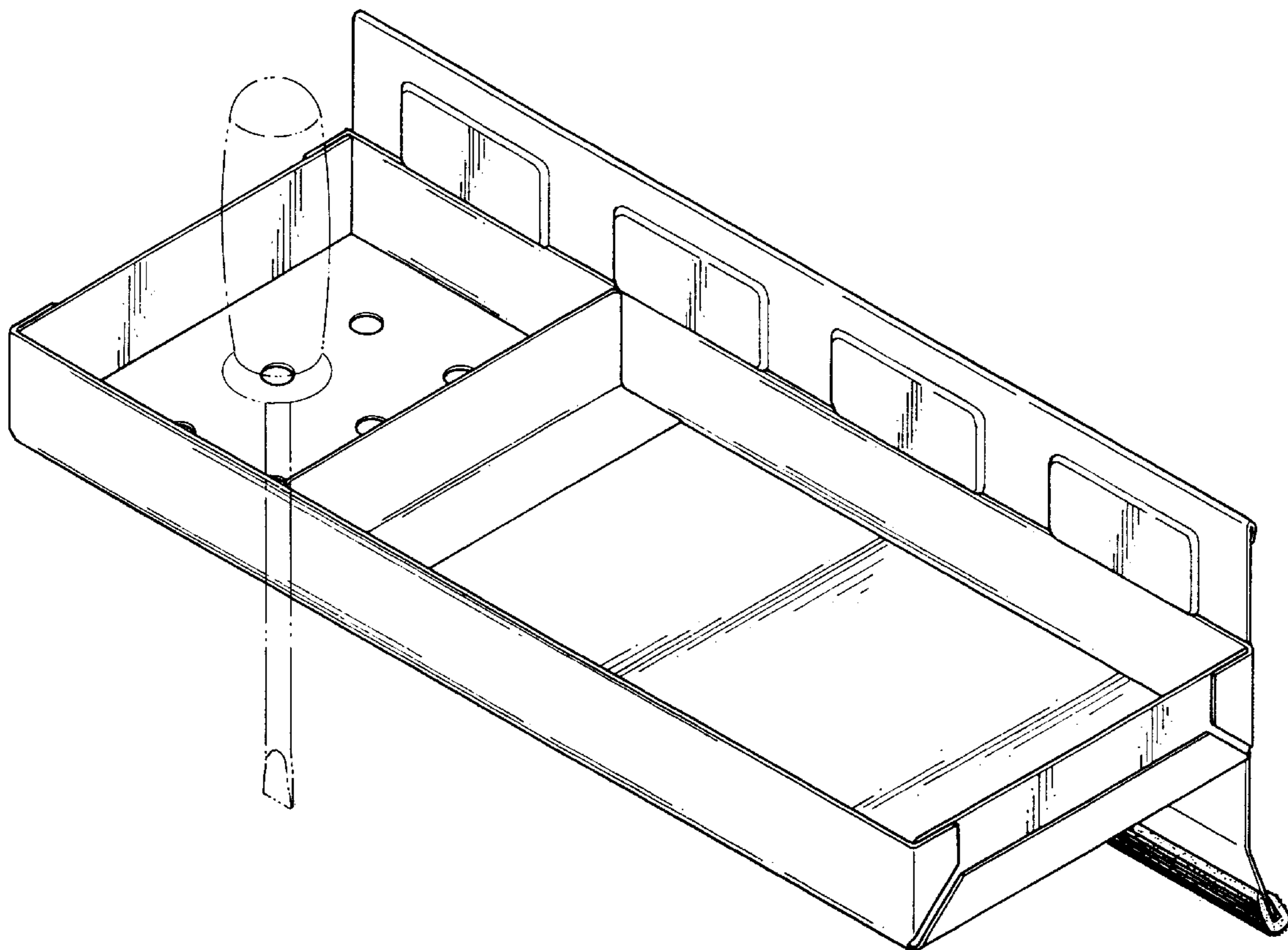
(56) **References Cited**

U.S. PATENT DOCUMENTS

3,229,946 A * 1/1966 MacKay 224/482
3,581,906 A * 6/1971 Joyce 211/126.5
D290,189 S * 6/1987 Sakai D12/425
D317,220 S * 5/1991 Diamond D3/305

The broken line showing of the screwdriver is for illustrative purposes only and forms no part of the claimed design.

1 Claim, 7 Drawing Sheets



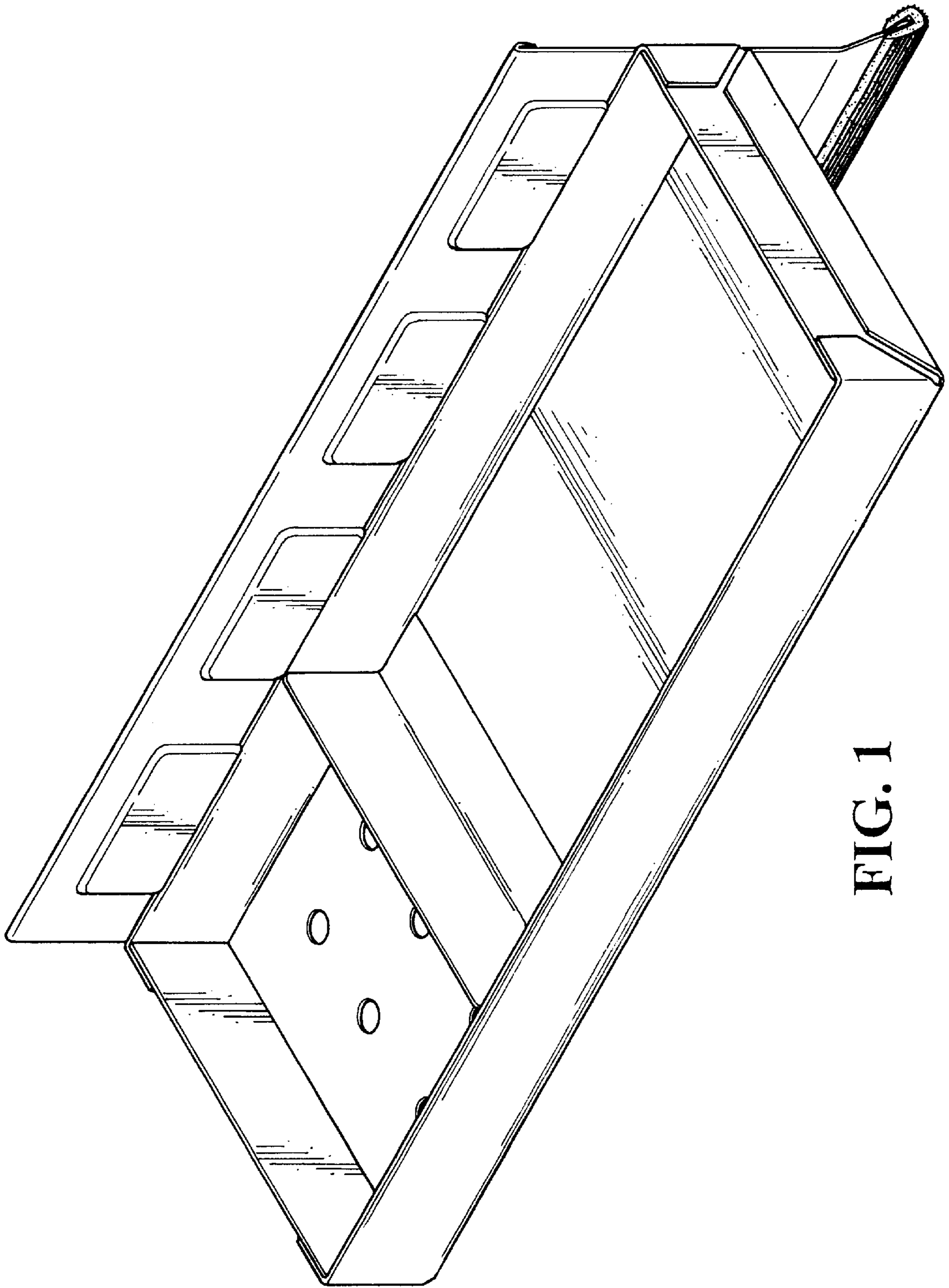


FIG. 1

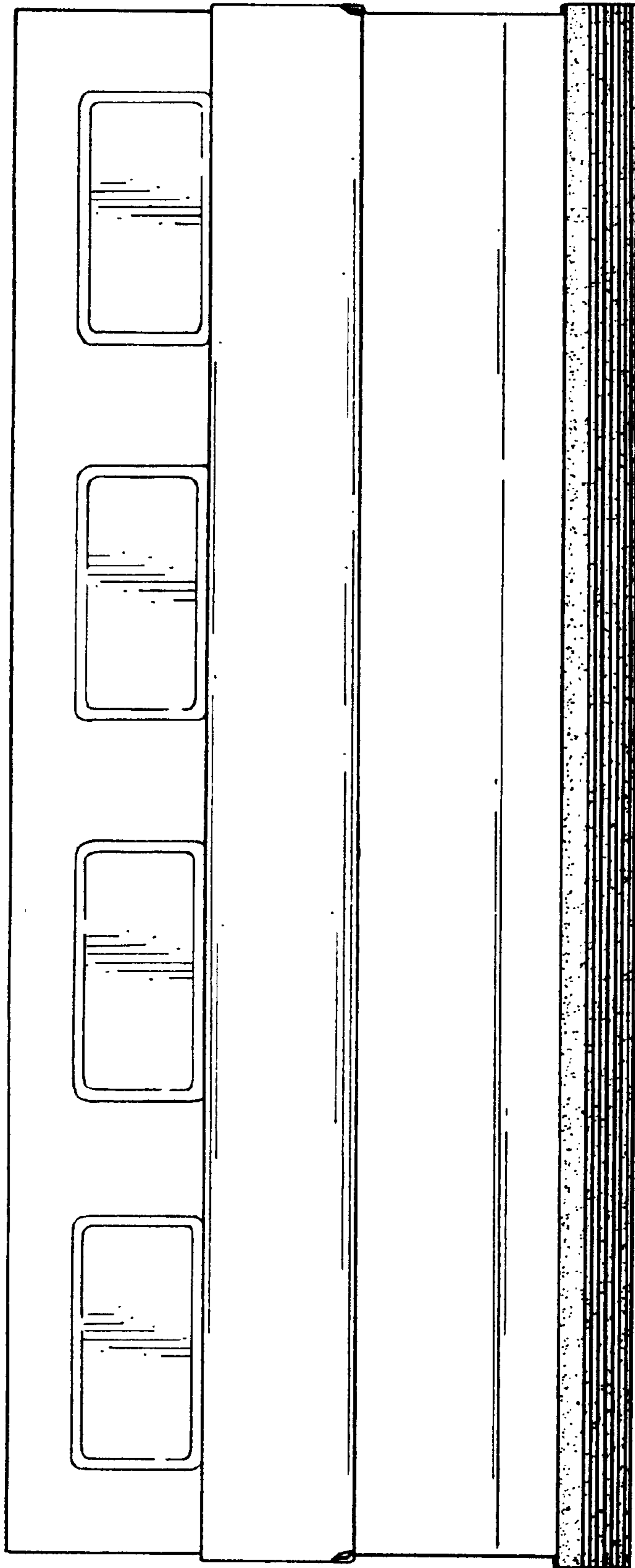


FIG. 2

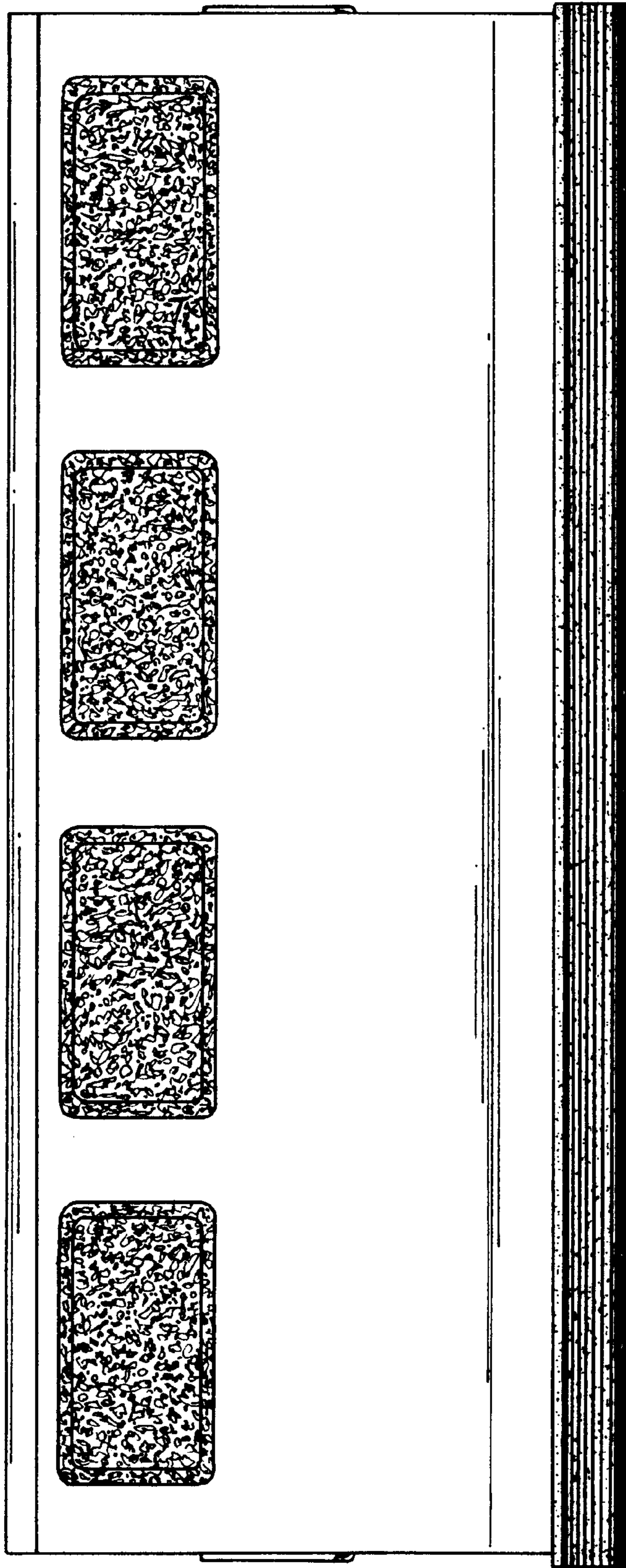


FIG. 3

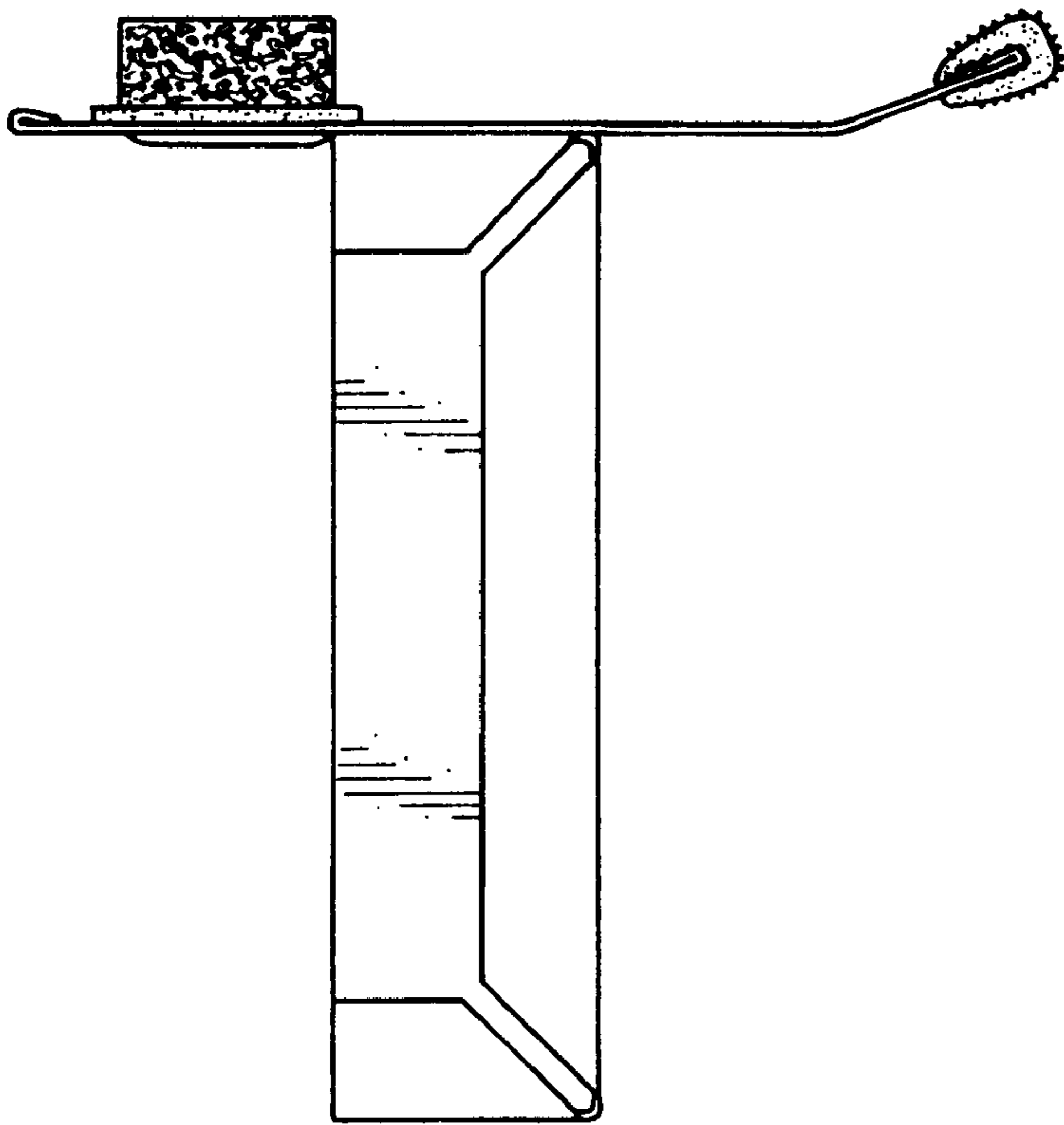


FIG. 4

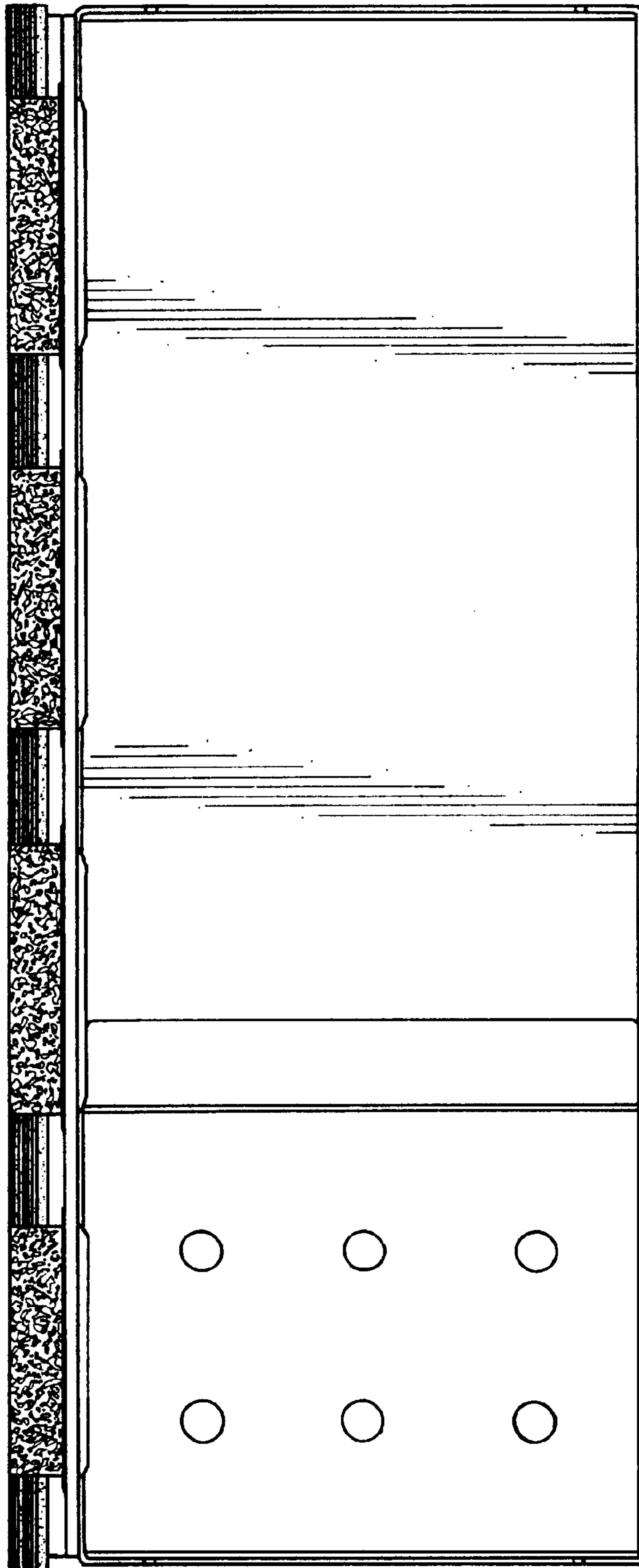


FIG. 5

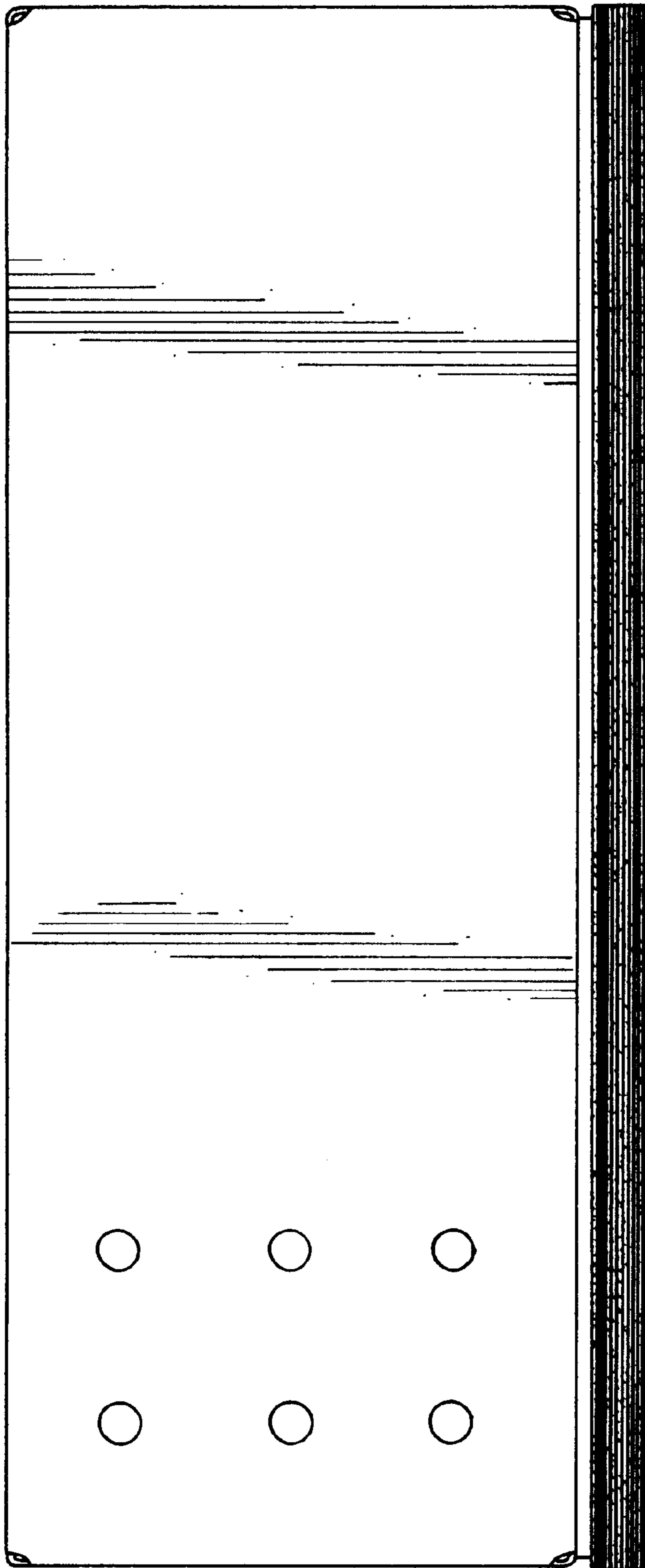


FIG. 6

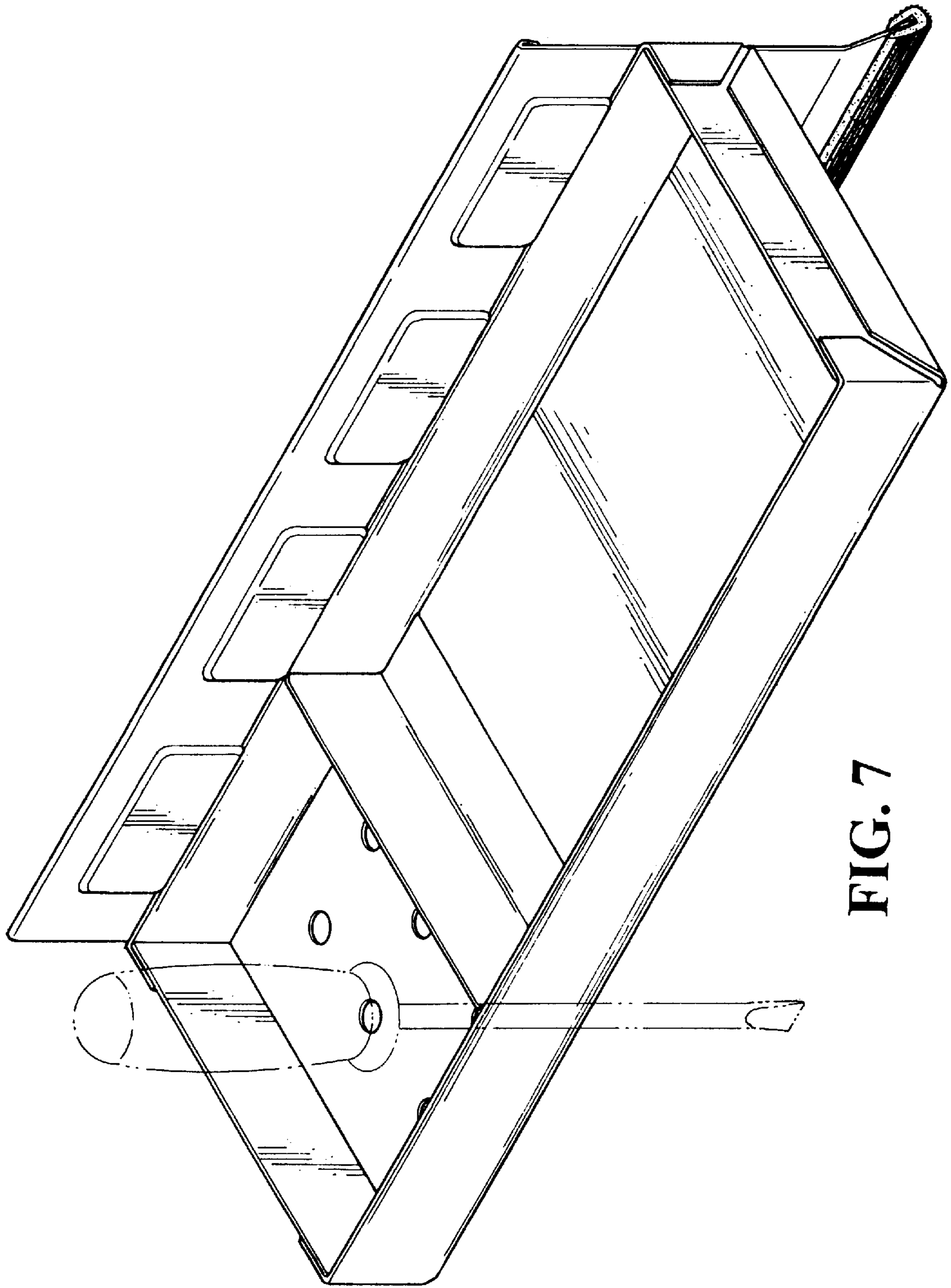


FIG. 7