



US00D487191S

(12) **United States Design Patent**  
**Ong**

(10) **Patent No.:** **US D487,191 S**

(45) **Date of Patent:** **\*\* Mar. 2, 2004**

(54) **EXPANDING FILE WITH REMOVABLE TOTE BOX**

(76) **Inventor:** **Bon S. Ong**, Box 4247, Torrance, CA (US) 90510

(\*\*) **Term:** **14 Years**

(21) **Appl. No.:** **29/179,422**

(22) **Filed:** **Apr. 7, 2003**

**Related U.S. Application Data**

(63) Continuation-in-part of application No. 29/158,849, filed on Apr. 12, 2002, now Pat. No. Des. 472,707.

(51) **LOC (7) Cl.** ..... **03-01**

(52) **U.S. Cl.** ..... **D3/290; D3/900; D3/284**

(58) **Field of Search** ..... **D3/273, 276, 283, D3/284, 290, 303, 900; 206/425; 190/109, 119, 900; 229/67.1**

(56) **References Cited**

**U.S. PATENT DOCUMENTS**

D260,578	S	*	9/1981	Cox	.....	D3/290
5,271,502	A	*	12/1993	Chang	.....	206/425
5,630,509	A	*	5/1997	Su	.....	206/425
5,664,724	A	*	9/1997	Ho	.....	229/67.4
D405,266	S	*	2/1999	Chisholm	.....	D3/303
5,954,170	A	*	9/1999	Chisholm	.....	190/109
D449,166	S	*	10/2001	Shapiro	.....	D3/303
D456,135	S	*	4/2002	Shapiro	.....	D3/303
D459,887	S	*	7/2002	Johnson	.....	D3/303

\* cited by examiner

*Primary Examiner*—Philip S. Hyder

(74) *Attorney, Agent, or Firm*—Charles H. Thomas

(57) **CLAIM**

I claim the ornamental design for an expanding file with removable tote box, as shown and described.

**DESCRIPTION**

FIG. 1 is a perspective view of an expanding file with removable tote box illustrating my new design;  
 FIG. 2 is a front elevational view thereof;  
 FIG. 3 is a left side elevational view thereof, it being understood that the undisclosed right side elevational view is a mirror image thereof;  
 FIG. 4 is rear elevational view thereof;  
 FIG. 5 is a top plan view thereof;  
 FIG. 6 is a bottom plan view thereof;  
 FIG. 7 is another perspective view thereof showing the expanding file with removable tote box in an open condition;  
 FIG. 8 is a left side elevational view of the expanding file with removable tote box in the condition shown in FIG. 7;  
 FIG. 9 is a perspective view of an alternative embodiment of an expanding file with removable tote box illustrating my new design;  
 FIG. 10 is a front elevational view thereof;  
 FIG. 11 is a left side elevational view thereof, it being understood that the undisclosed right side elevational view is a mirror image thereof;  
 FIG. 12 is rear elevational view thereof;  
 FIG. 13 is a top plan view thereof;  
 FIG. 14 is a bottom plan view thereof;  
 FIG. 15 is another perspective view thereof showing the expanding file with removable tote box in an open condition; and,  
 FIG. 16 is a left side elevational view of the expanding file with removable tote box of FIG. 15 in an open condition.

**1 Claim, 14 Drawing Sheets**

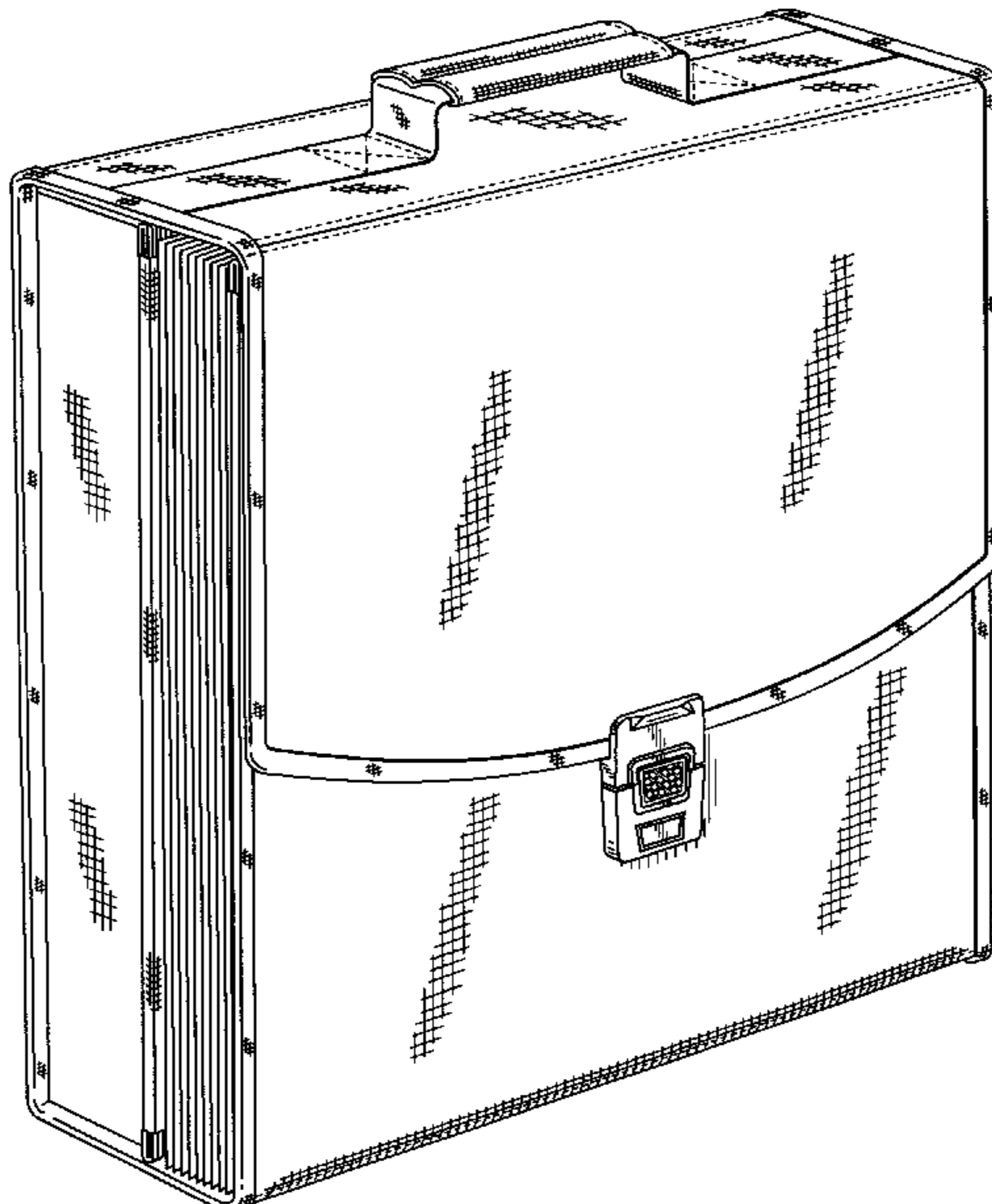


FIG. 1

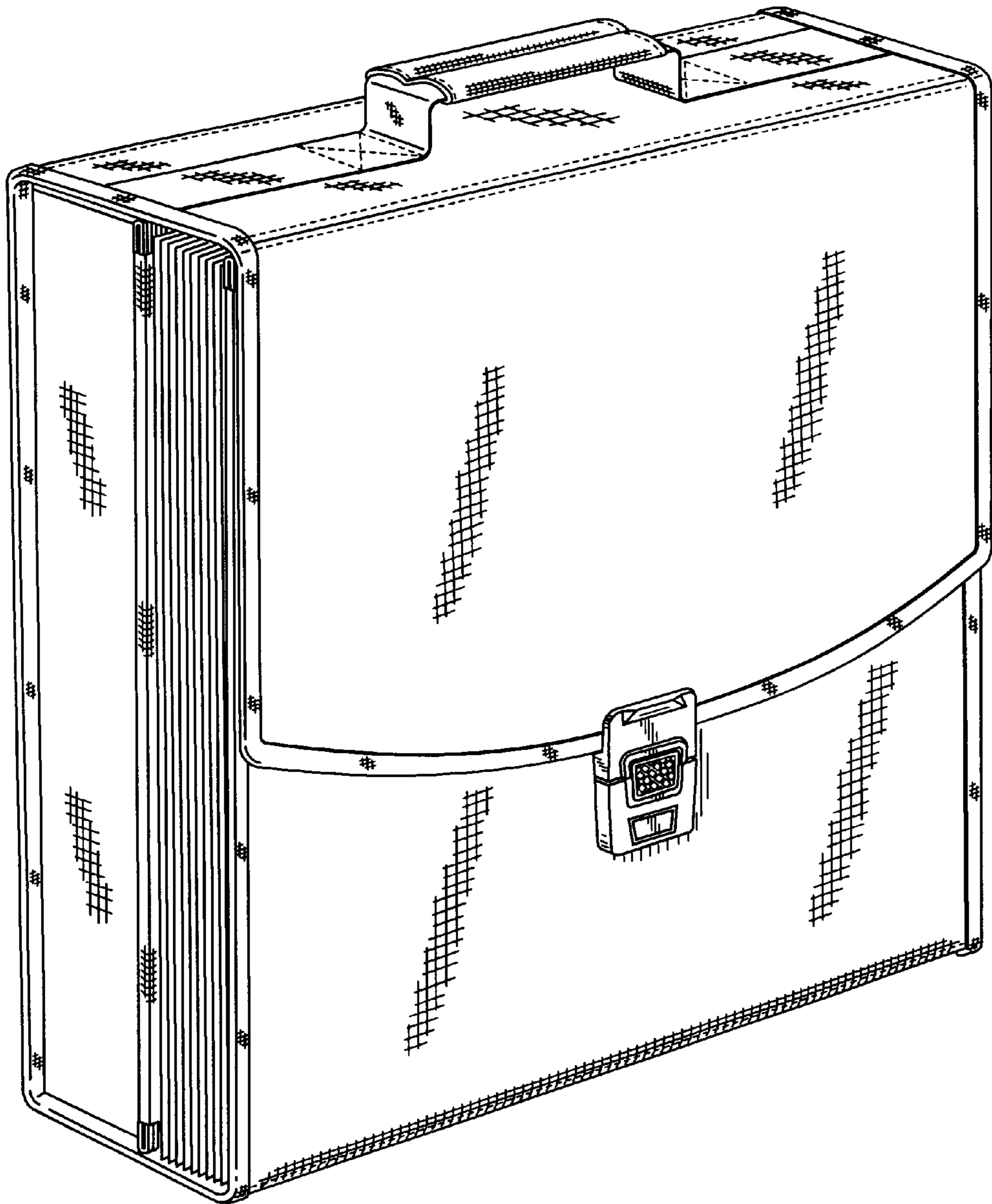


FIG. 2

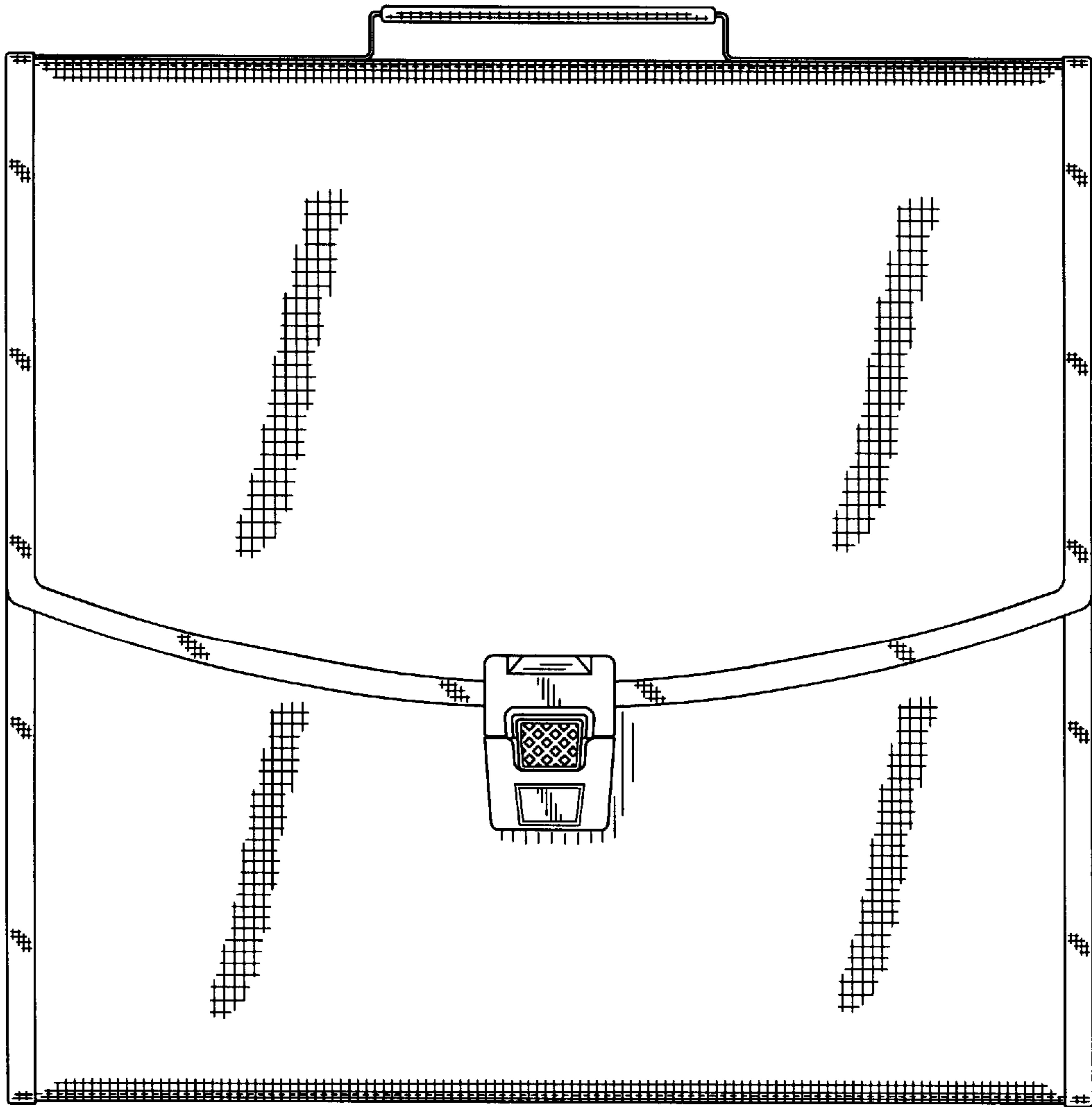


FIG. 3

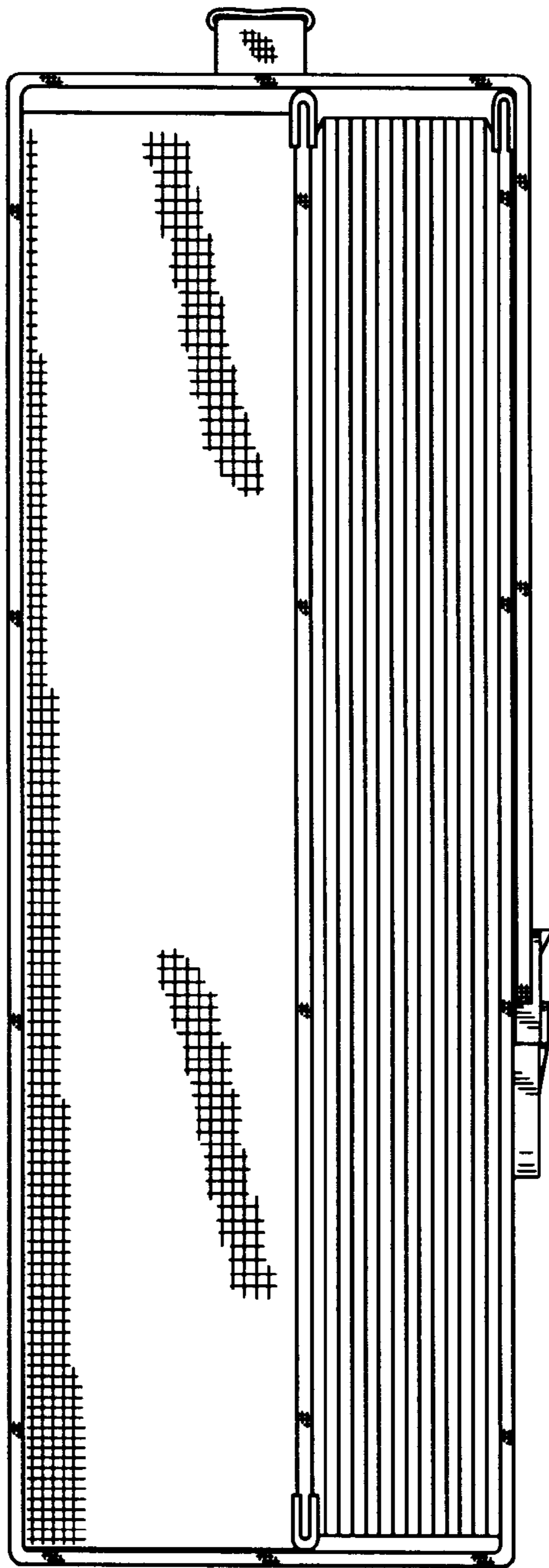


FIG. 4

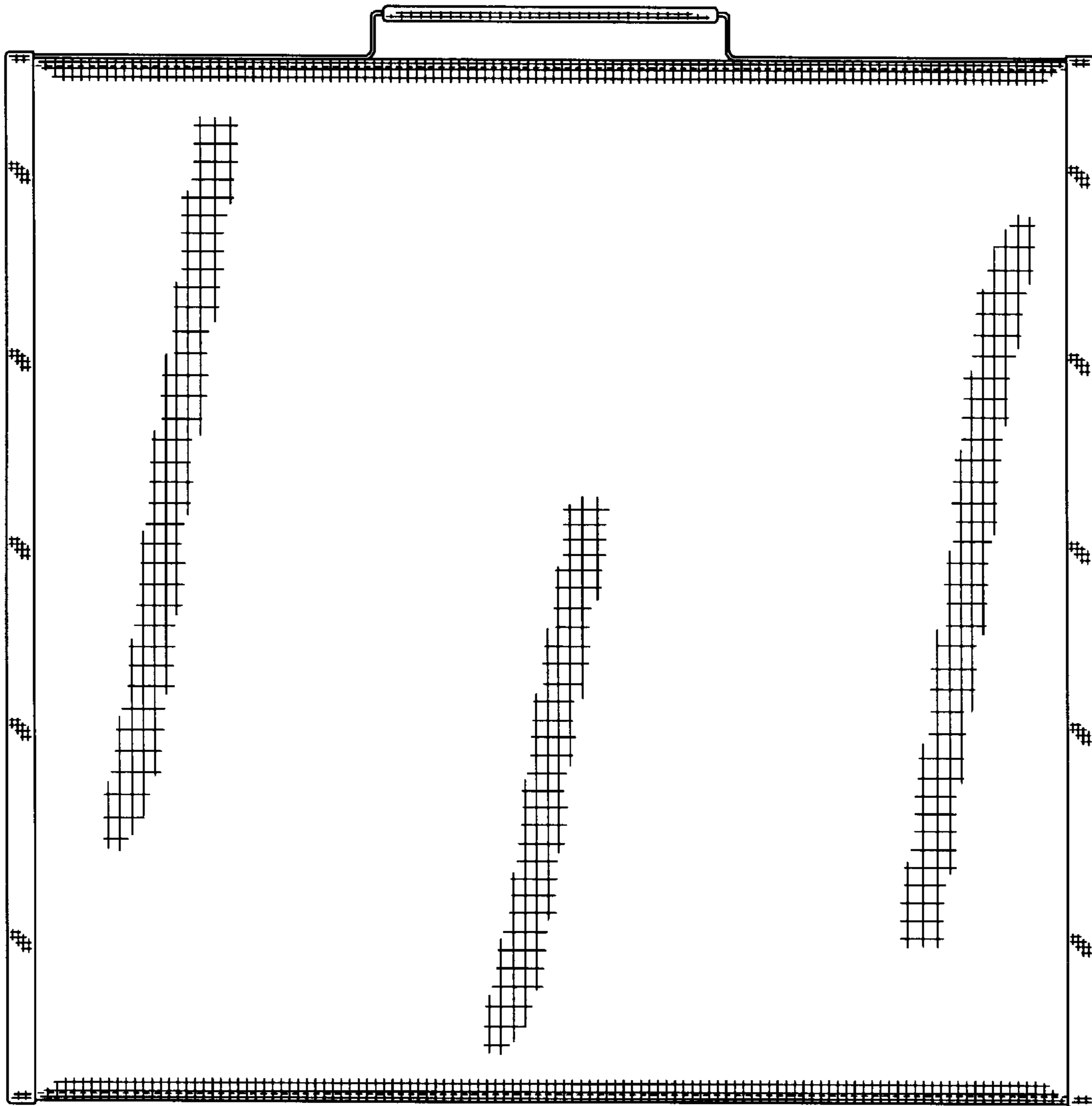


FIG. 5

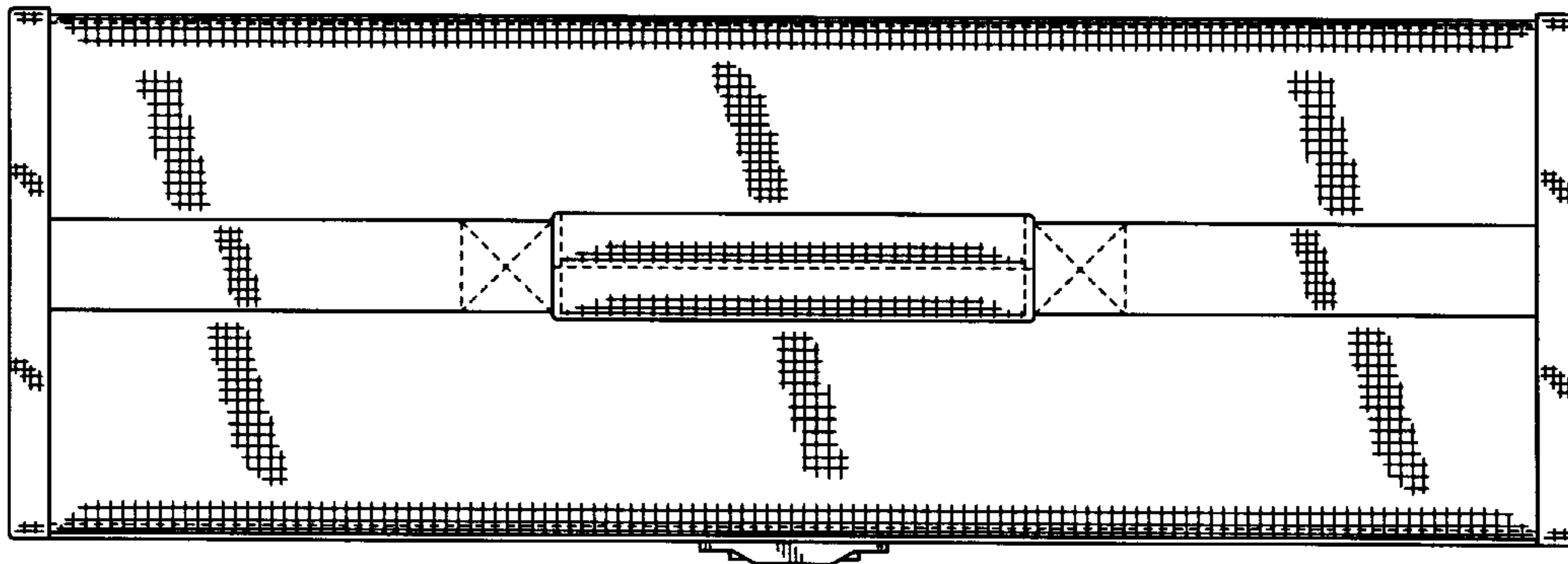


FIG. 6

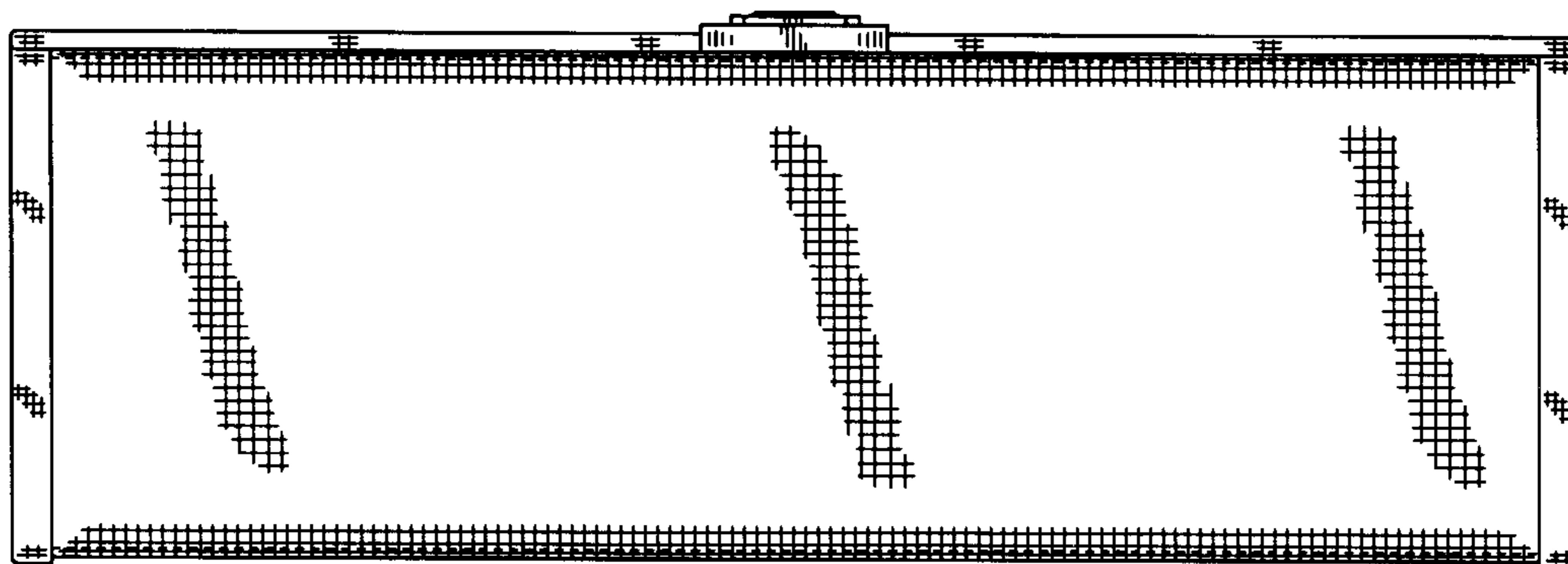


FIG. 7

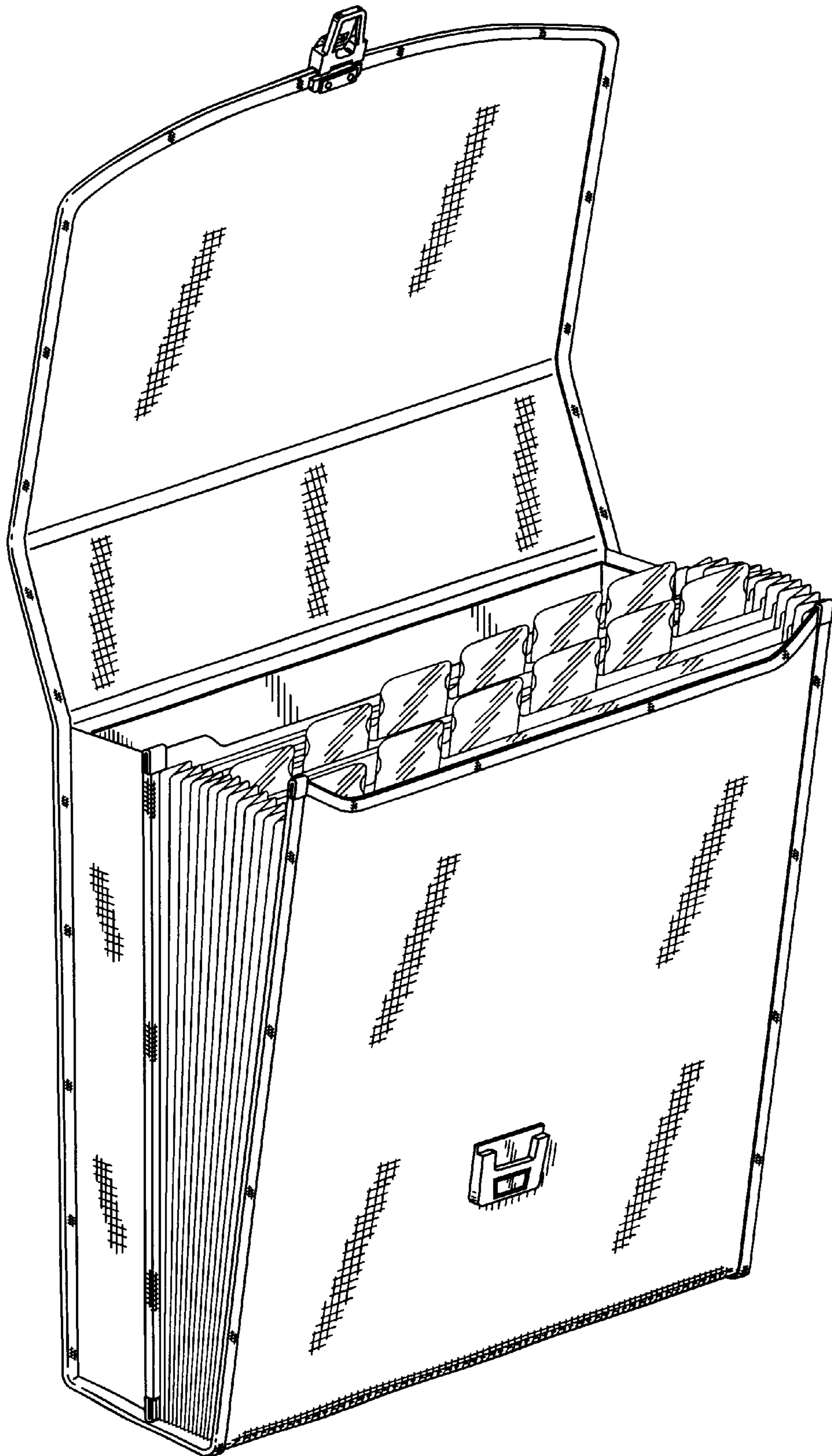
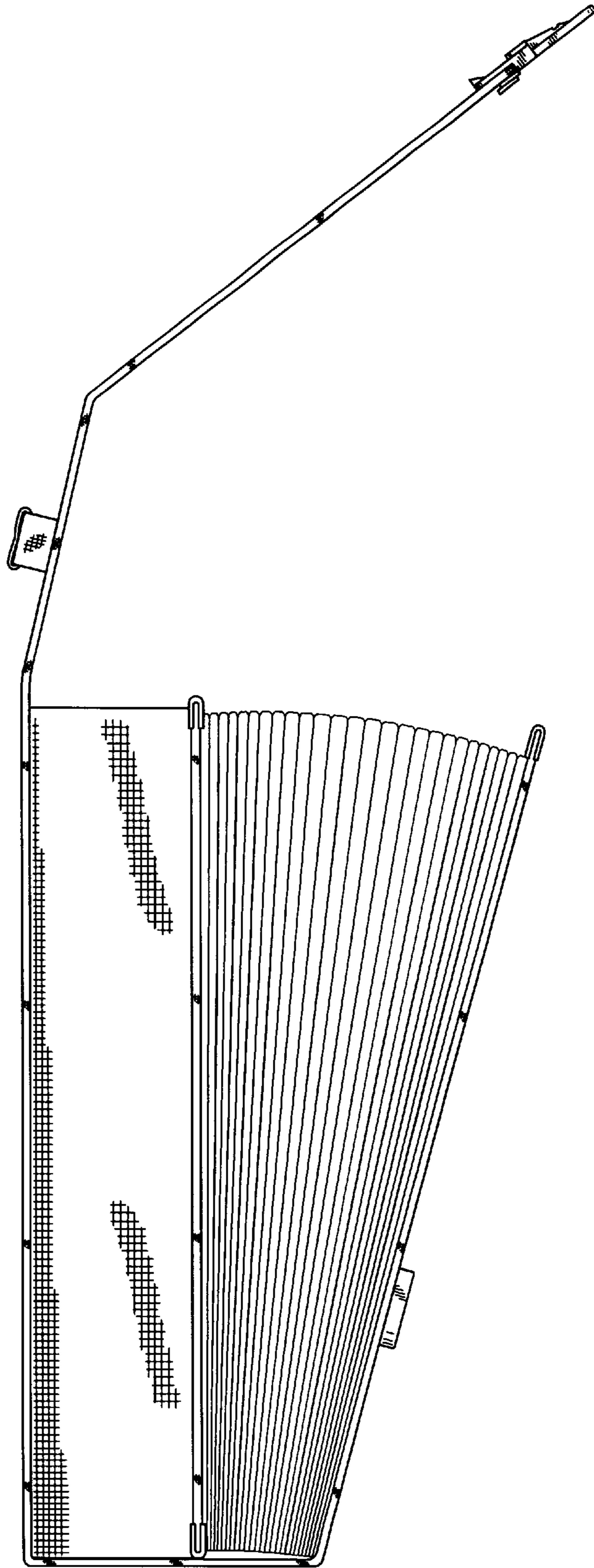


FIG. 8





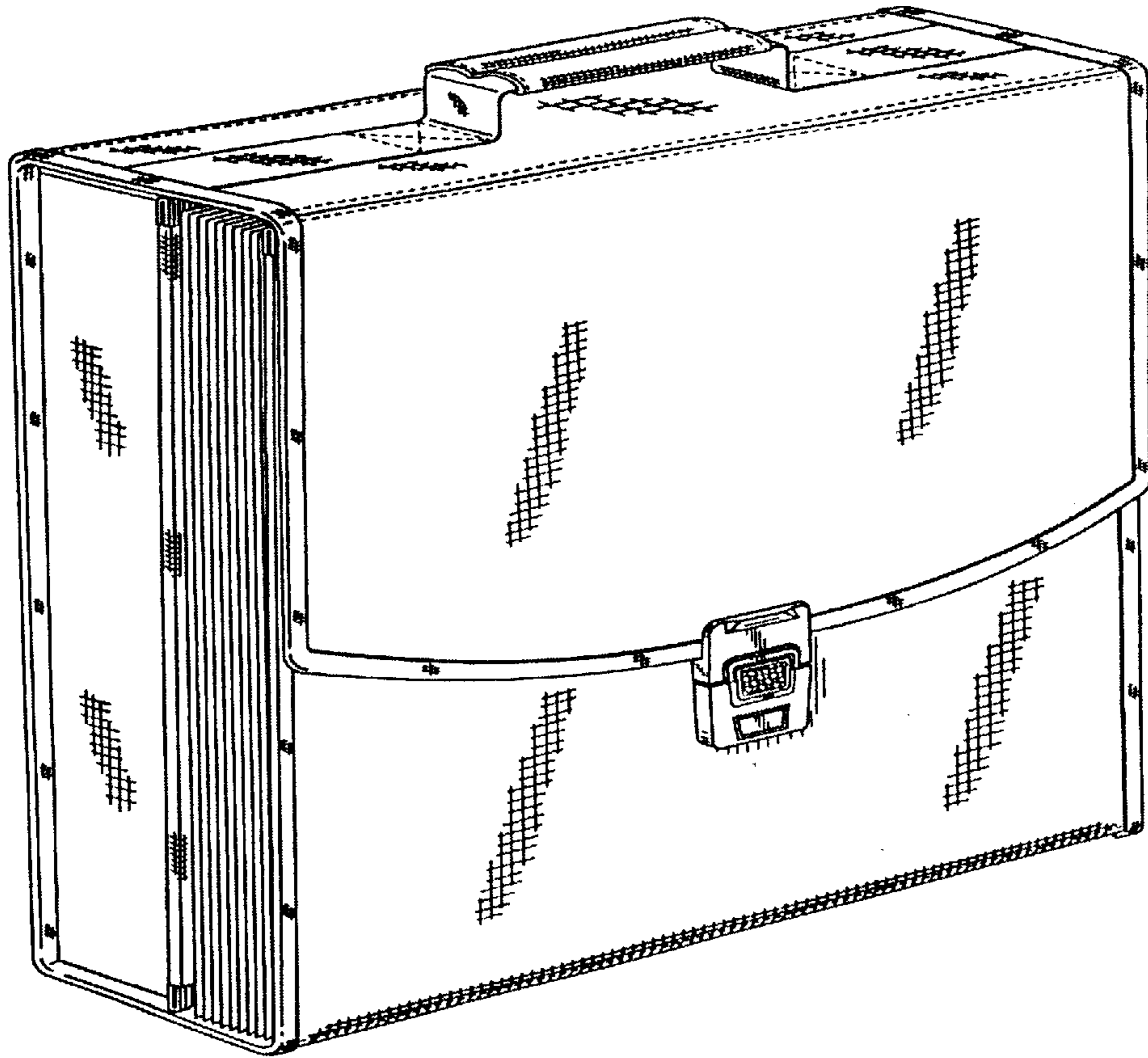


FIG. 9

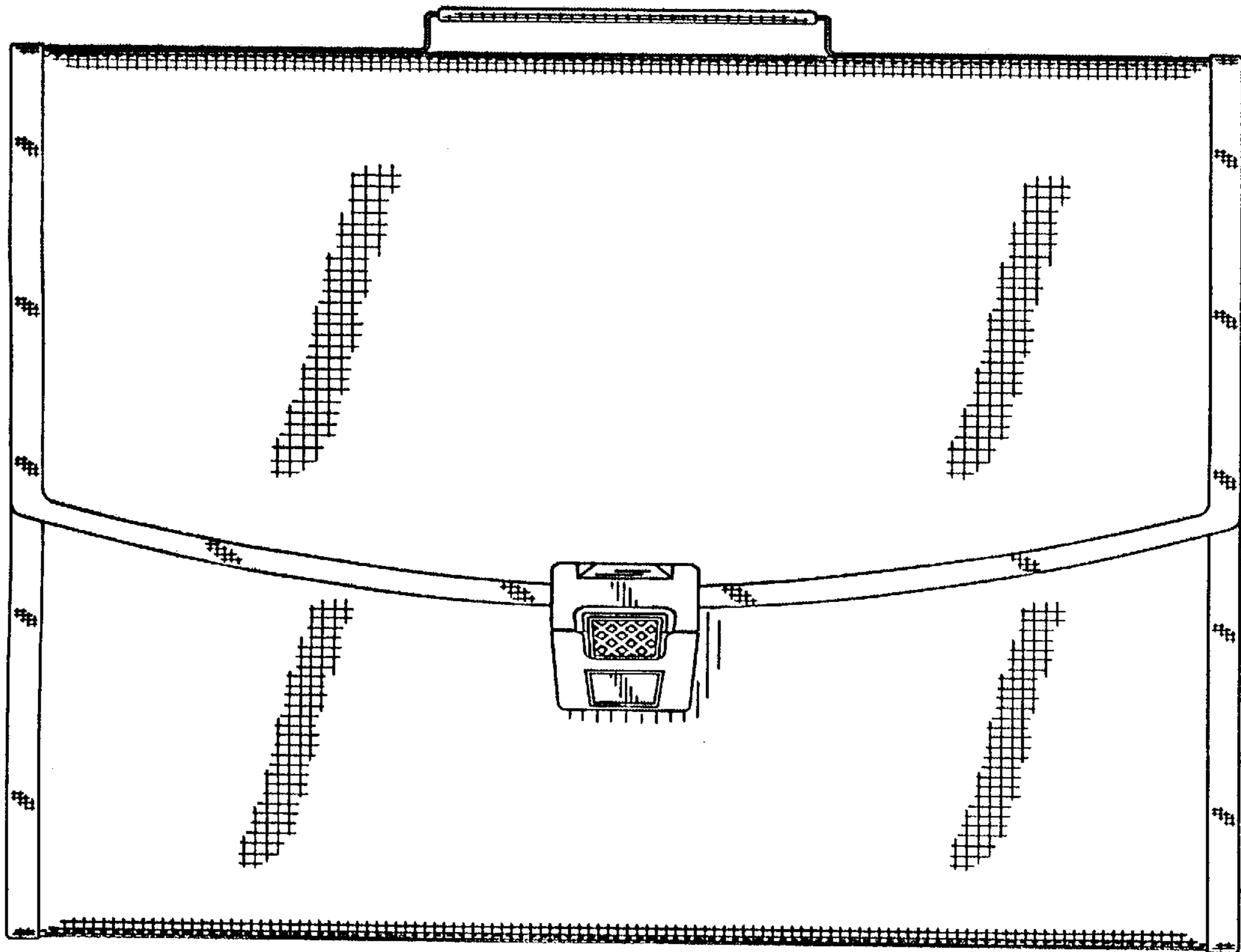


FIG. 10

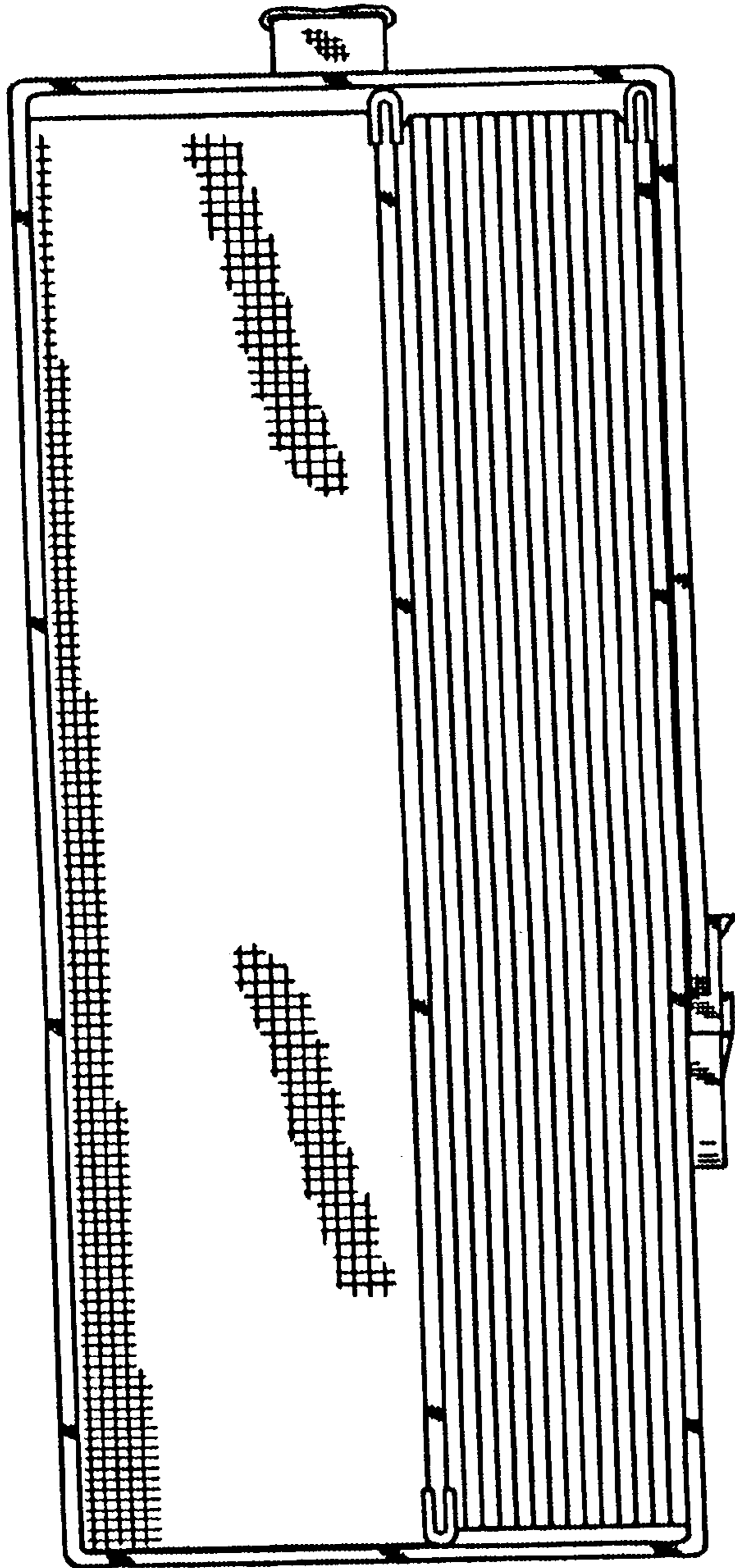


FIG. 11

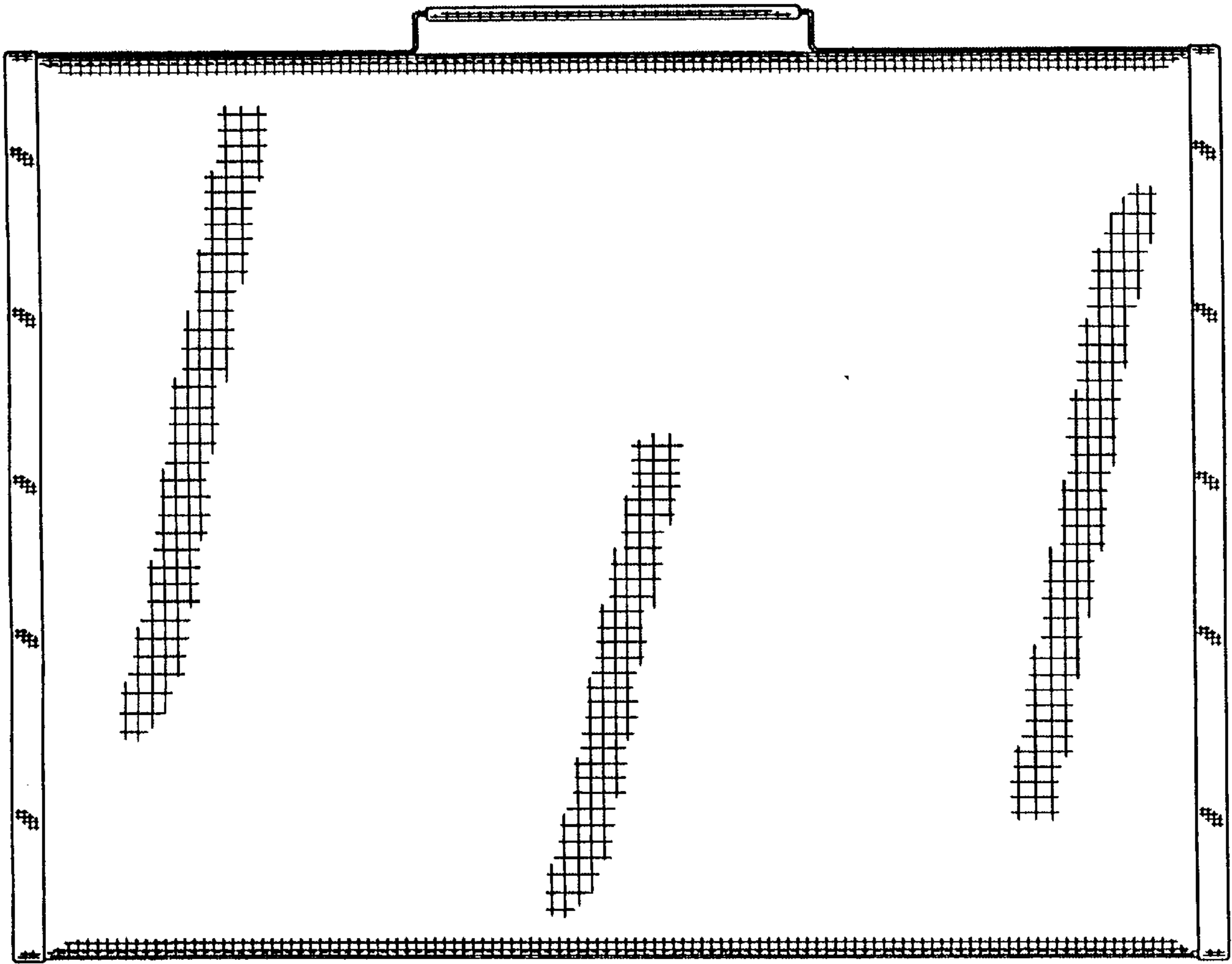


FIG. 12

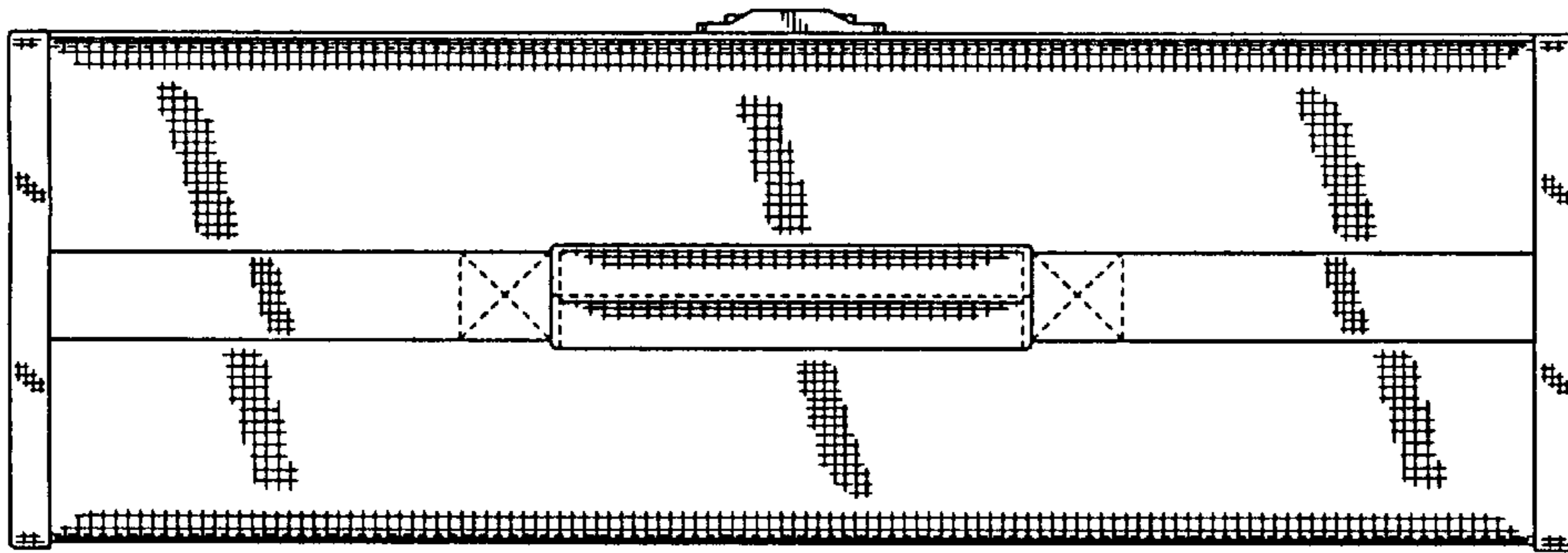


FIG. 13

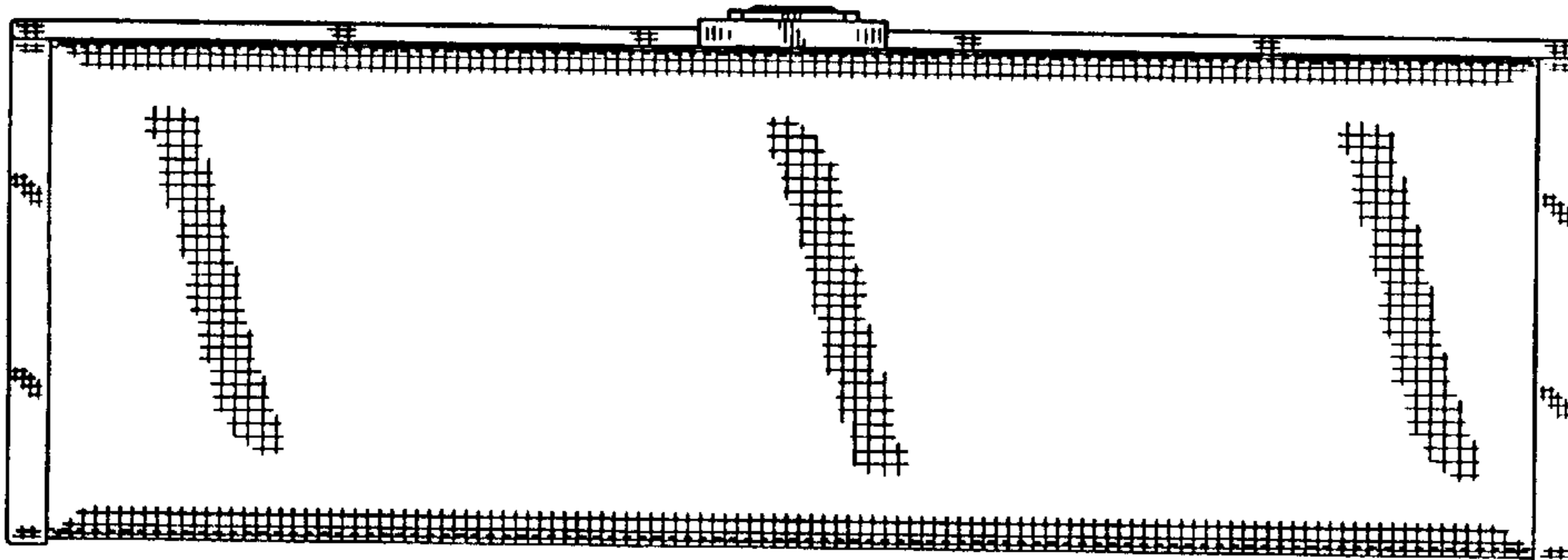


FIG. 14

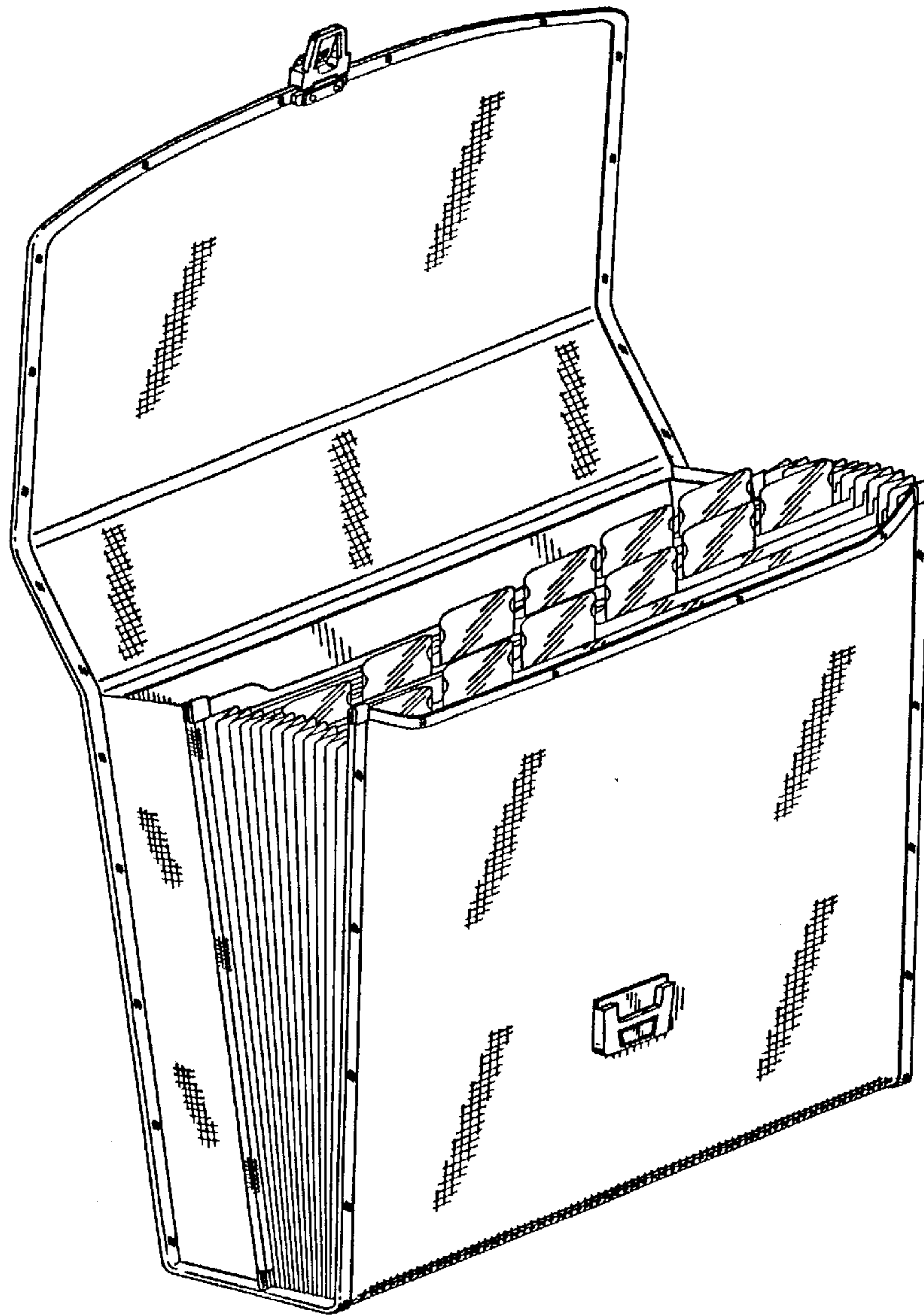


FIG. 15

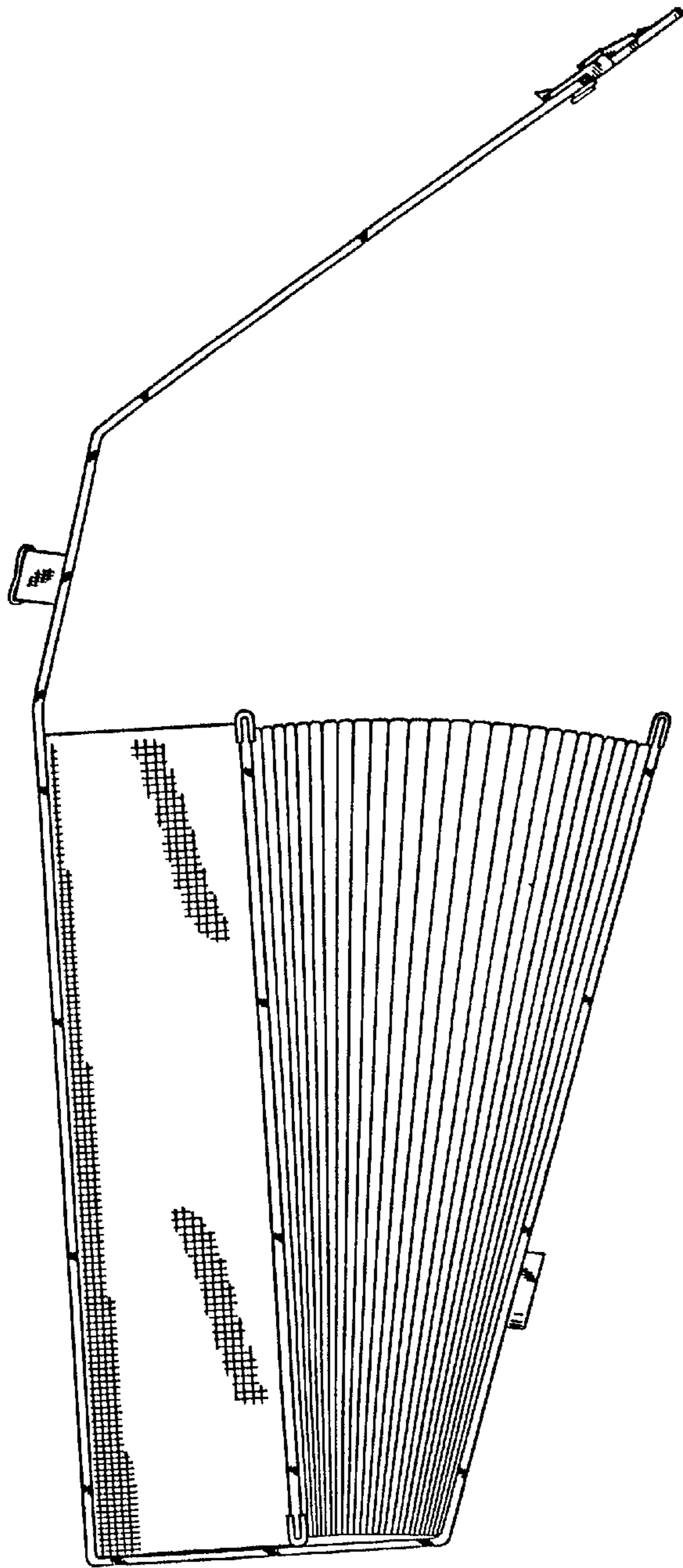


FIG. 16