



US00D487189S

(12) **United States Design Patent**
Ukitsu et al.

(10) **Patent No.:** **US D487,189 S**

(45) **Date of Patent:** **** Mar. 2, 2004**

(54) **KNAPSACK**

(75) Inventors: **Yutaka Ukitsu**, Tokyo (JP); **Toshiro Yoshie**, Tokyo (JP); **Tokihiko Ikuno**, Tokyo (JP)

(73) Assignee: **Combi Corporation**, Tokyo (JP)

(**) Term: **14 Years**

(21) Appl. No.: **29/165,692**

(22) Filed: **Aug. 16, 2002**

(30) **Foreign Application Priority Data**

Feb. 19, 2002 (JP) 2002-004140

(51) **LOC (7) Cl.** **03-01**

(52) **U.S. Cl.** **D3/217; D3/215; D3/216**

(58) **Field of Search** D2/741; D3/224,
D3/215, 216-218, 233, 268, 274; D12/409;
D14/168; D21/483; 24/115 R; 2/2.5; 190/18 A;
224/148.2, 153, 155, 156, 576-580, 582-584,
601, 627-631, 640, 642, 643, 646, 647,
650, 652, 653, 656, 657; 381/90

(56) **References Cited**

U.S. PATENT DOCUMENTS

D249,036 S * 8/1978 Ramalia et al. D12/409
4,706,856 A * 11/1987 Jacober 224/153
5,570,824 A * 11/1996 Lyon et al.
D388,248 S * 12/1997 Rohrbach D3/217
D396,745 S * 8/1998 Peterson D3/216
5,799,851 A * 9/1998 Wulf et al. 224/583
D420,792 S * 2/2000 Sakelliou et al. D3/216
6,170,130 B1 * 1/2001 Hamilton et al. 24/115 R
6,216,926 B1 * 4/2001 Pratt
D444,942 S * 7/2001 Melnick D3/216
D448,161 S * 9/2001 Holodnicki D3/217
D460,614 S * 7/2002 Reimers et al. D3/217
6,422,439 B1 * 7/2002 Kelliher et al. 224/148.2
2002/0104859 A1 * 8/2002 Keliher 224/148.2

2002/0139820 A1 * 10/2002 Godshaw 224/153
2002/0179653 A1 * 12/2002 Klamm 224/153
2003/0015563 A1 * 1/2003 Vigny 224/652

* cited by examiner

Primary Examiner—Celia Murphy

(74) *Attorney, Agent, or Firm*—Birch, Stewart, Kolasch & Birch, LLP

(57) **CLAIM**

The ornamental design for a knapsack, as shown and described.

DESCRIPTION

FIG. 1 is a perspective view of a knapsack showing our new design;

FIG. 2 is a front elevational view thereof;

FIG. 3 is a rear elevational view thereof;

FIG. 4 is a top plan view thereof;

FIG. 5 is a bottom plan view;

FIG. 6 is a right side elevational view thereof;

FIG. 7 is a left side elevational view thereof;

FIG. 8 is a perspective view of the component large bag thereof;

FIG. 9 is a front elevational view of the component large bag thereof;

FIG. 10 is a perspective view of the component small bag thereof;

FIG. 11 is a rear elevational view of the component small bag thereof; and,

FIG. 12 is a perspective view of the component small bag thereof, in the state of being used.

The broken lines shown throughout the views are understood to represent stitching.

The claim is directed to the appearance of the knapsack as it appears with the attached waist pouch. The waist pouch is shown separately in FIGS. 8-12 for the purpose of showing aspects of the design that are not apparent from the other views.

1 Claim, 6 Drawing Sheets

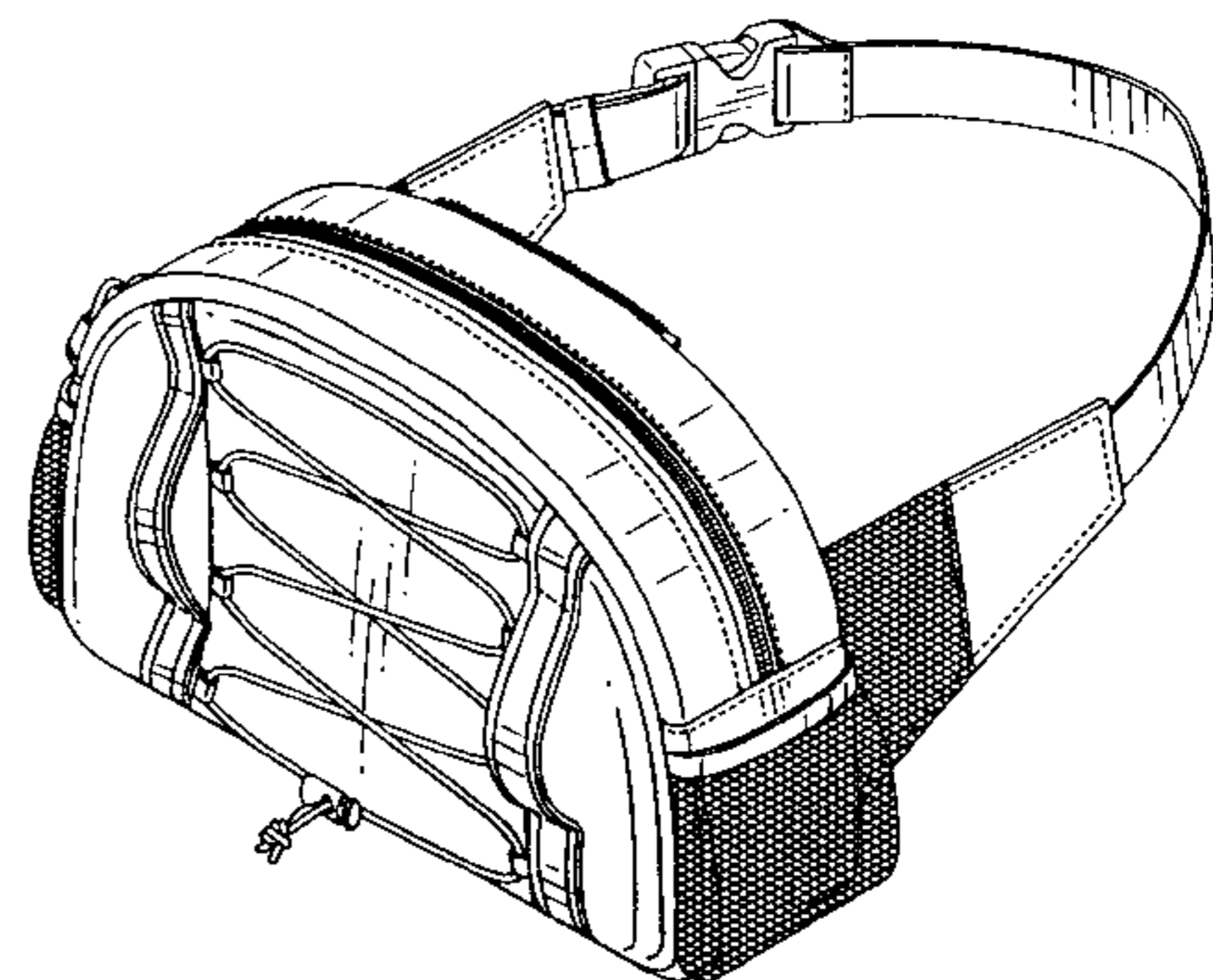
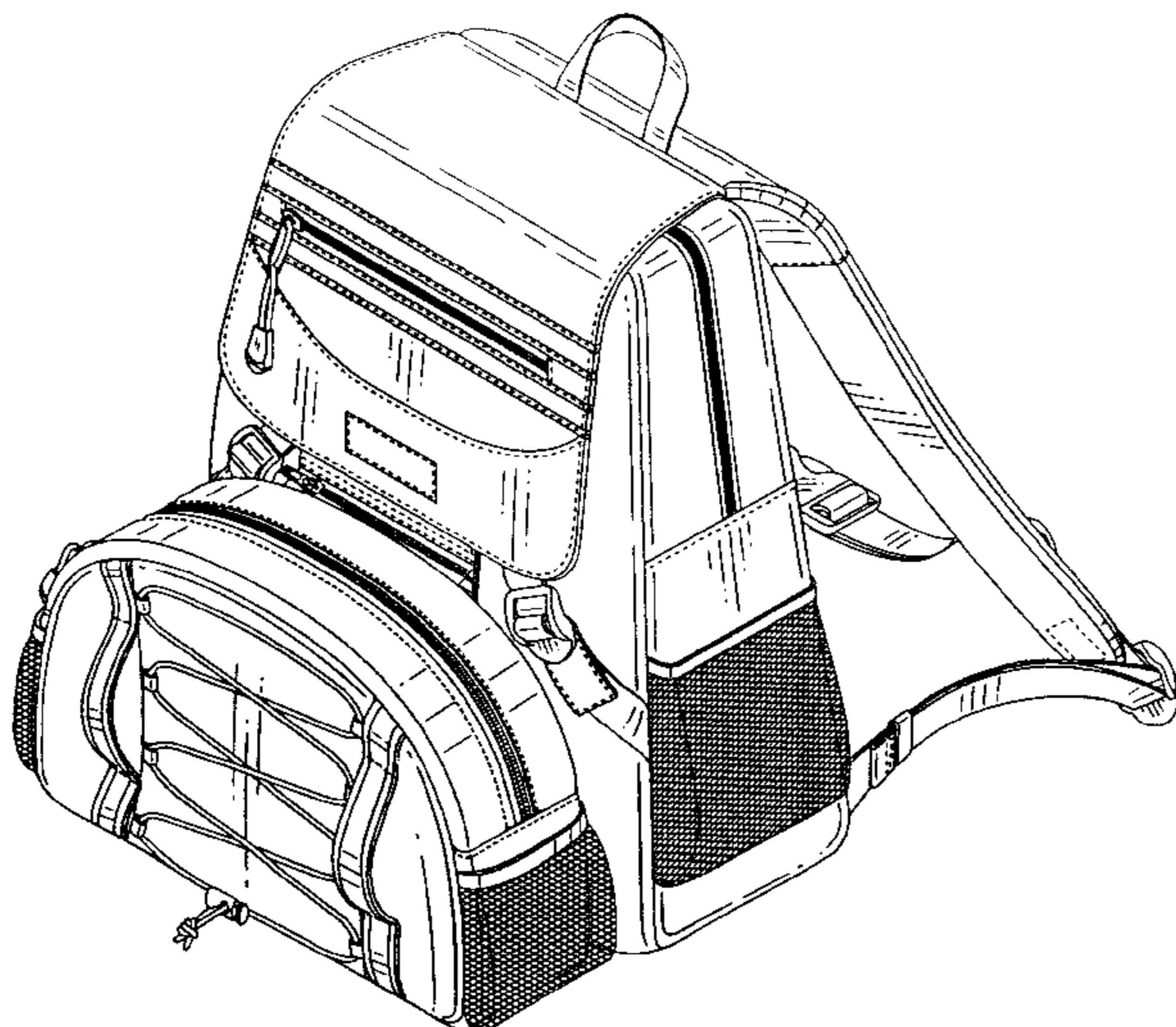


FIG. 1

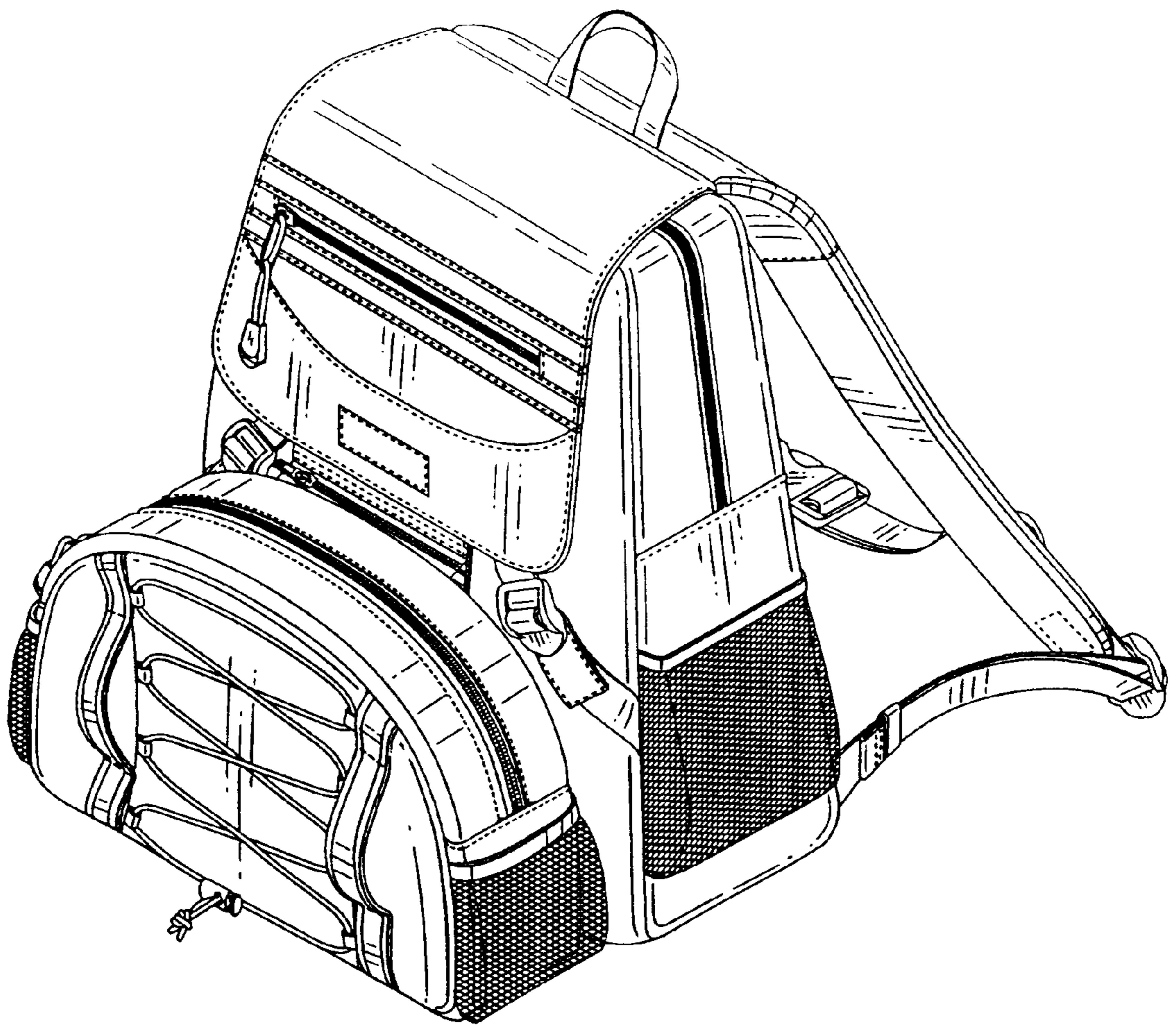


FIG. 2

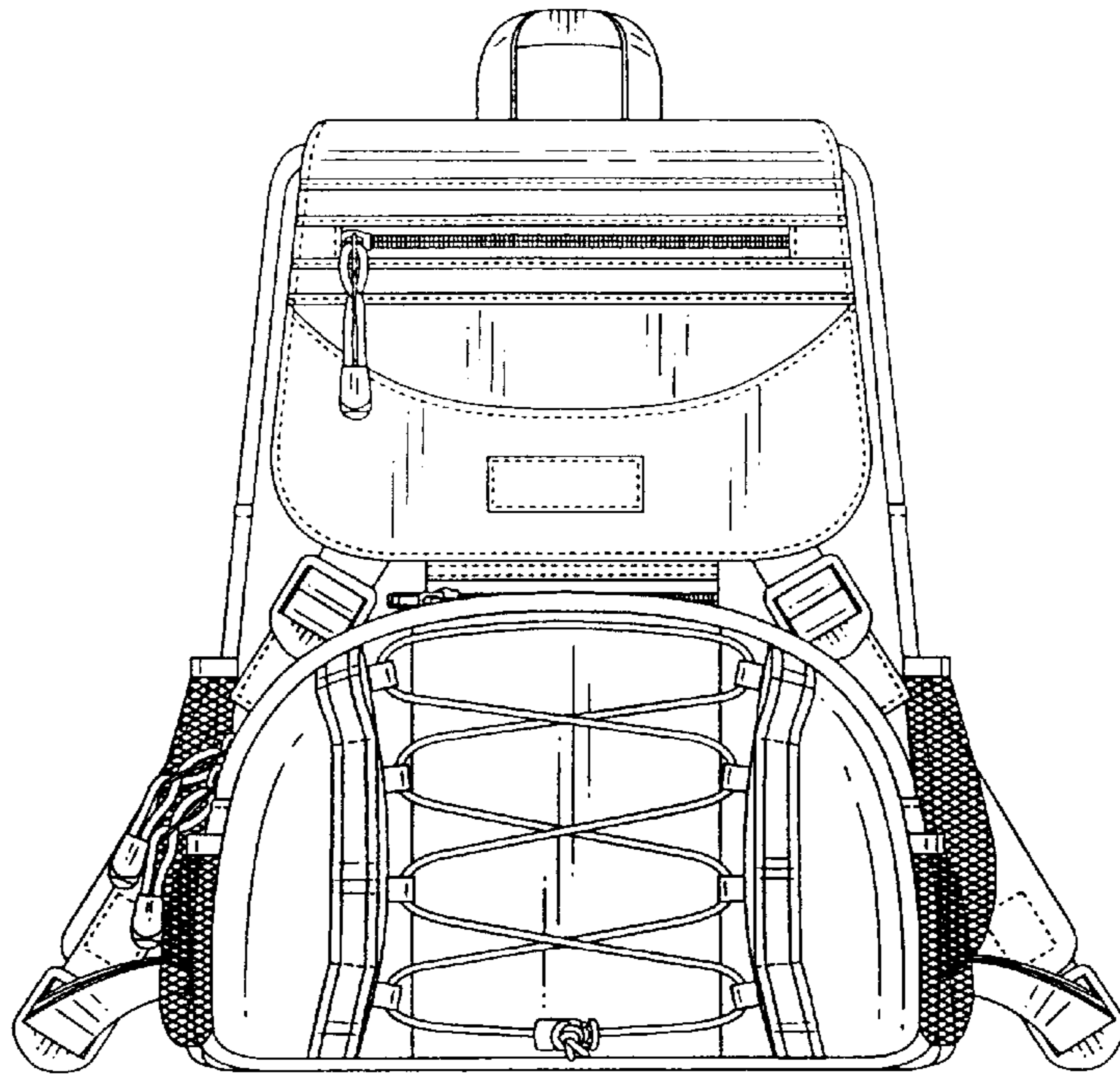


FIG. 3

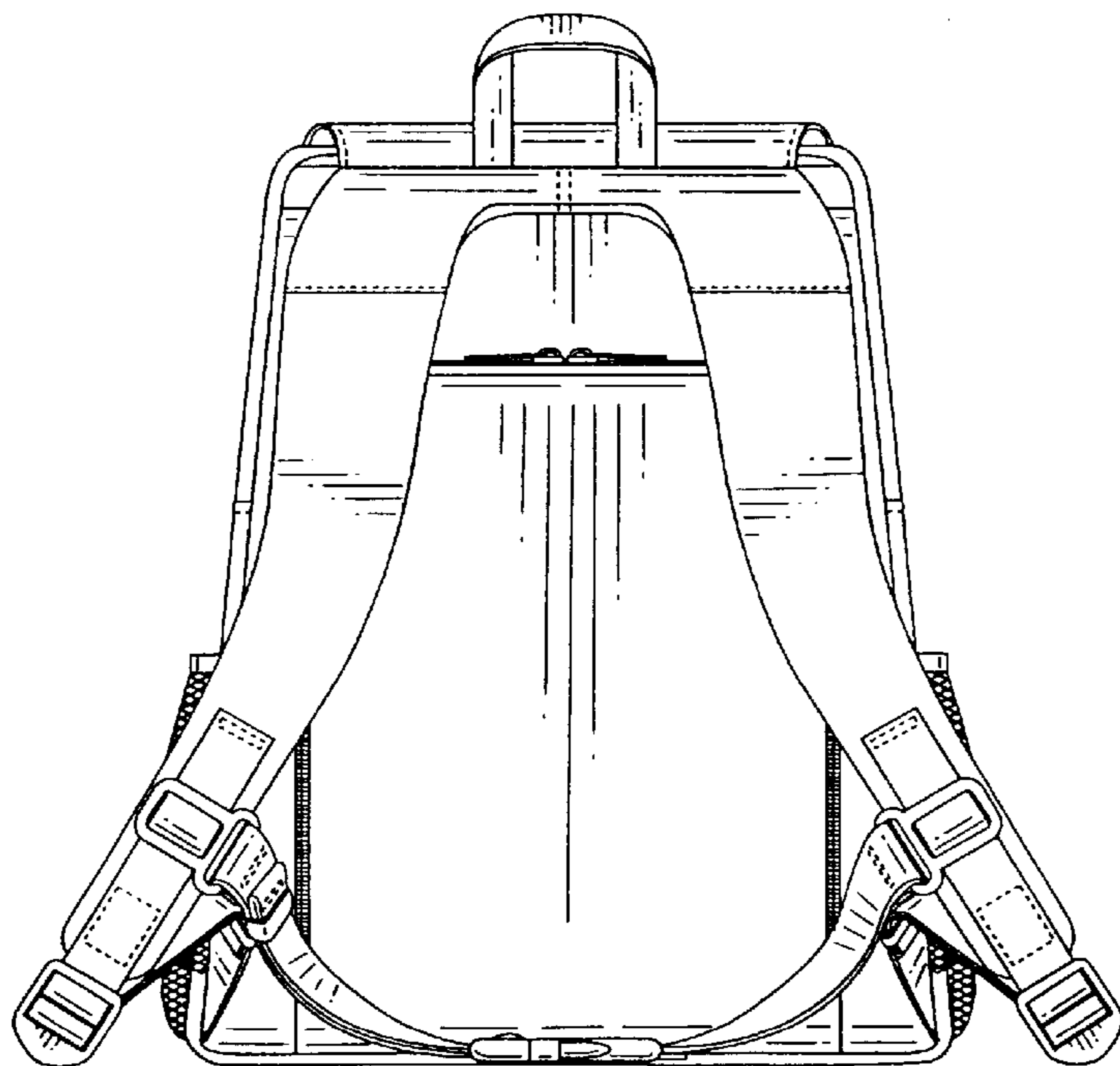


FIG. 4

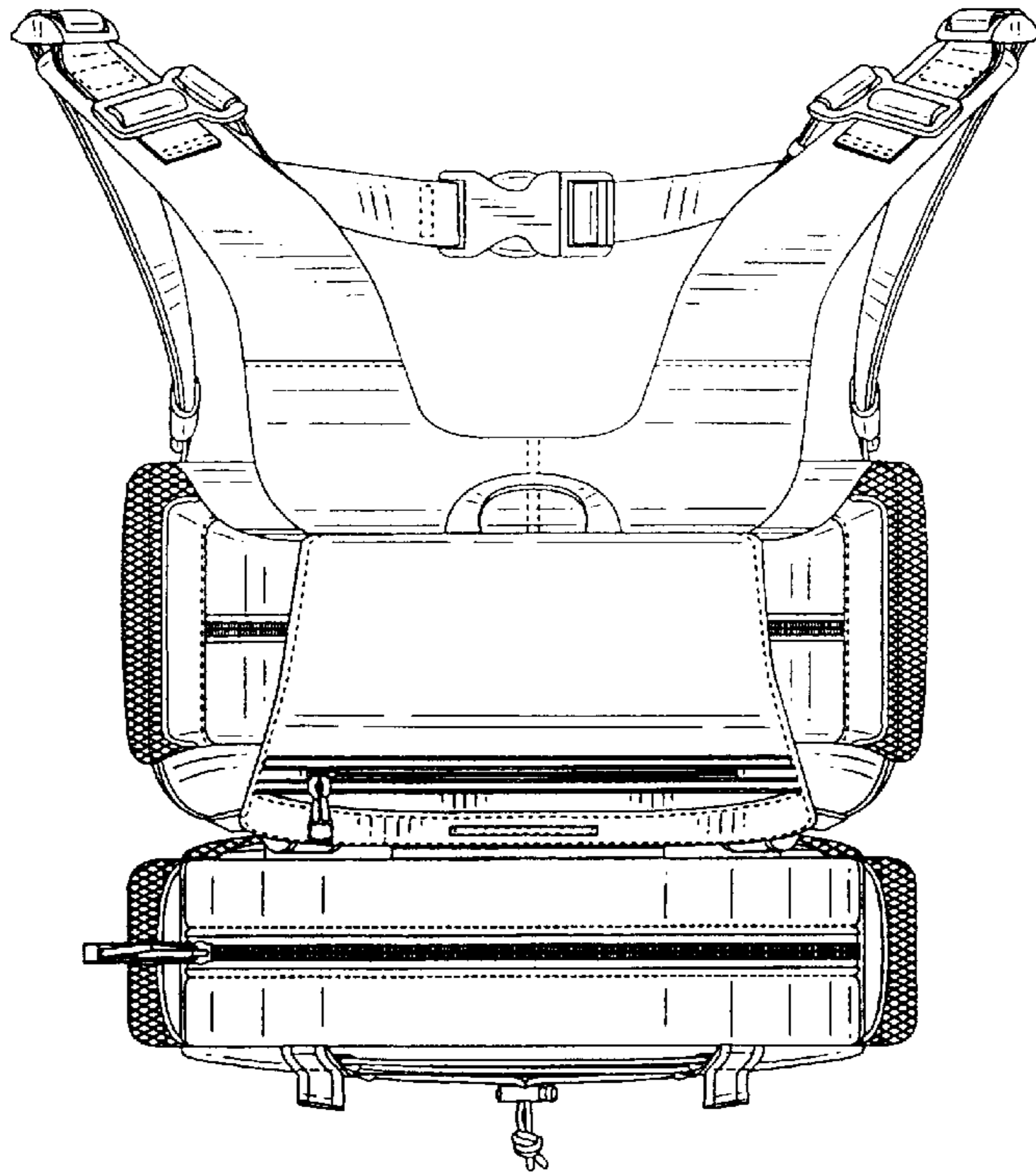


FIG. 5

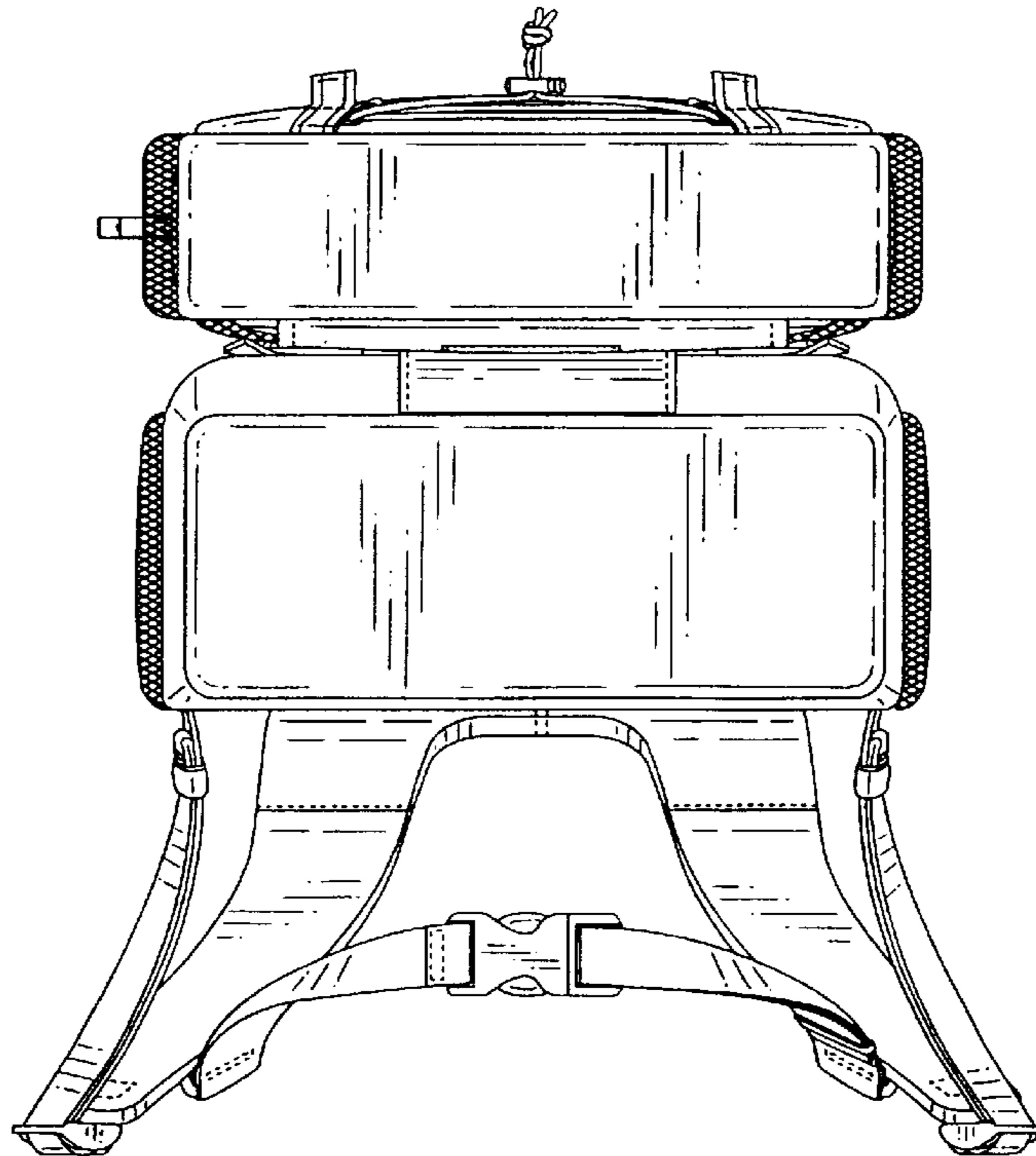


FIG. 6

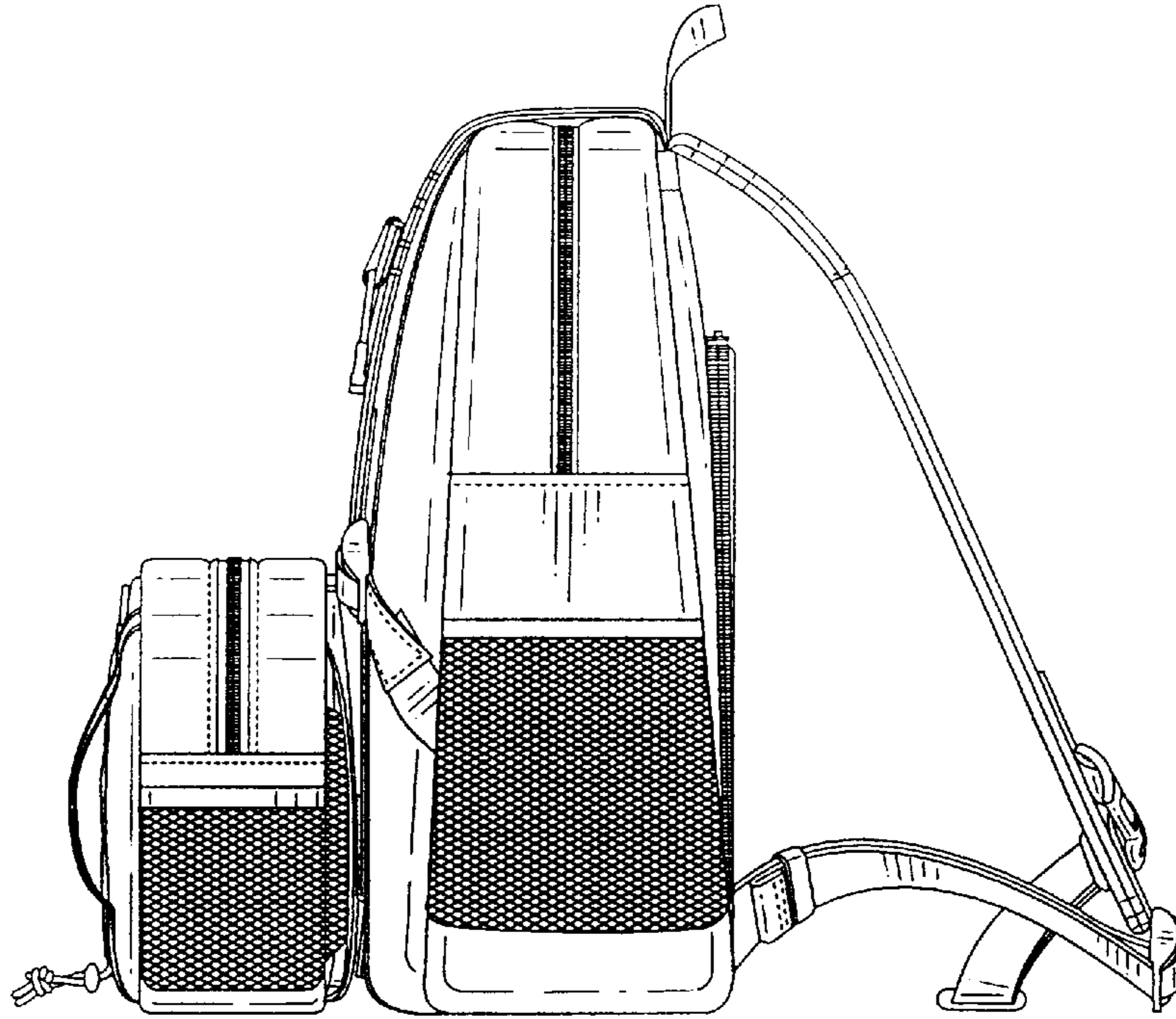


FIG. 7

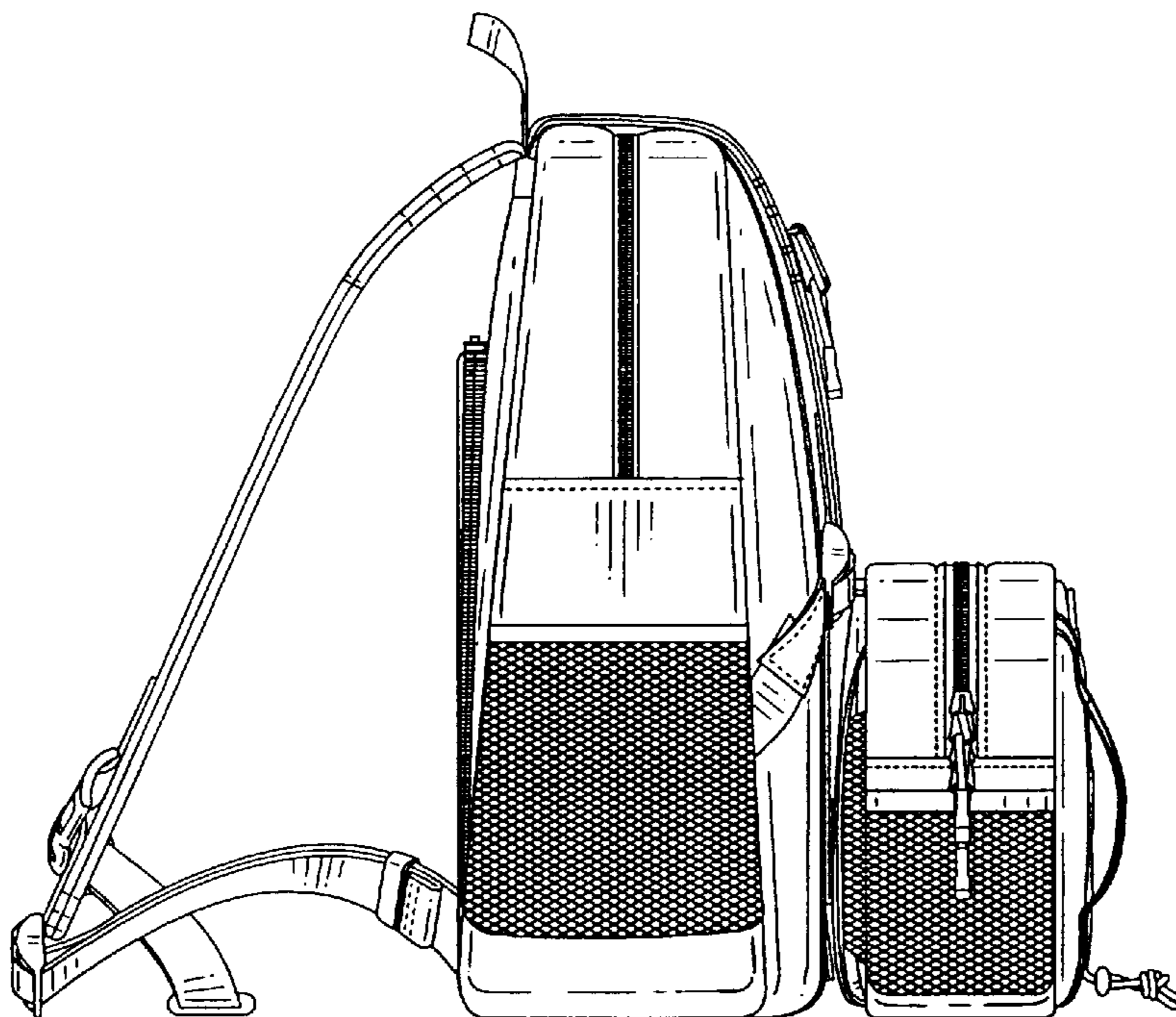


FIG. 8



FIG. 9

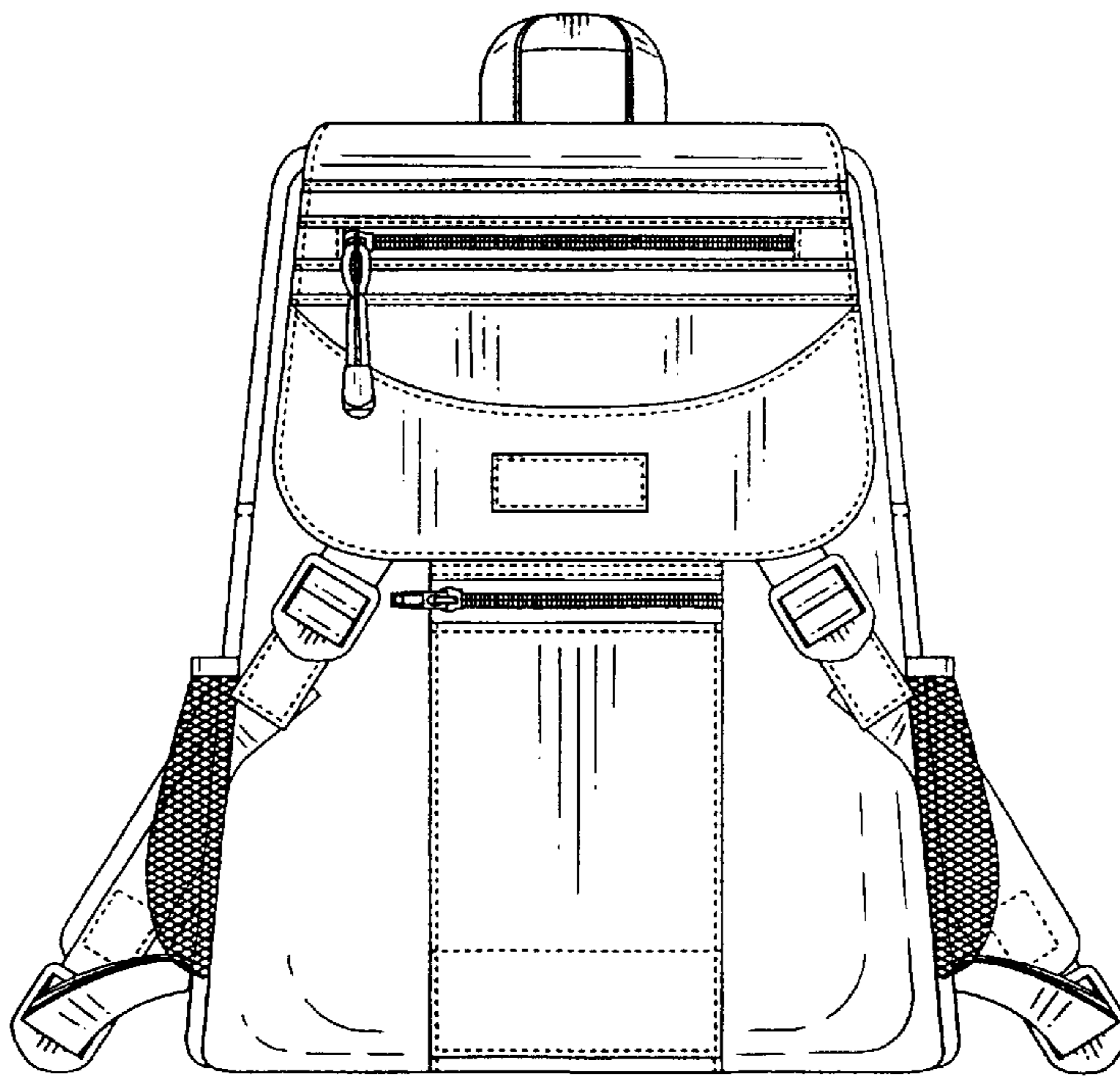


FIG. 10

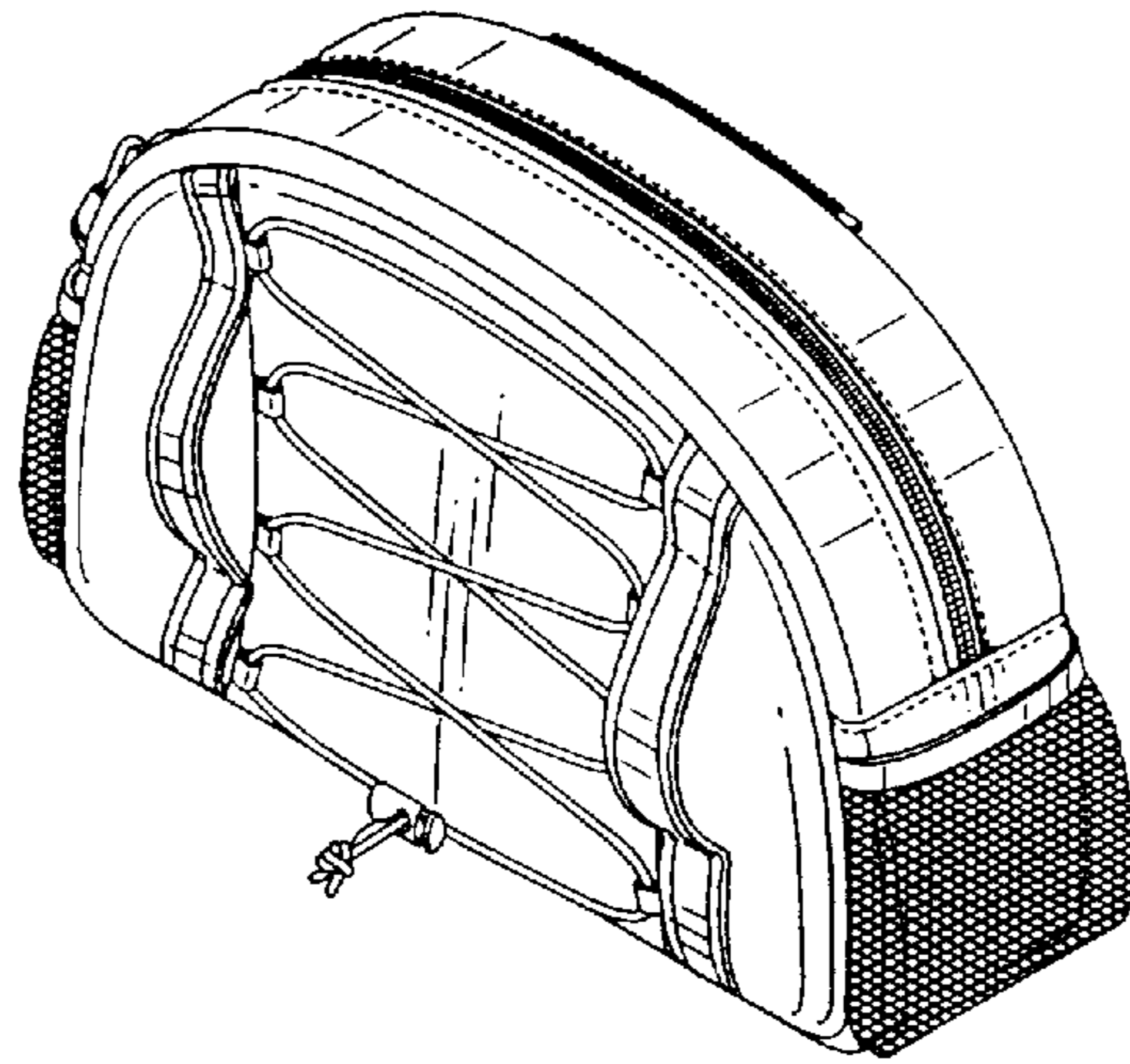


FIG. 11

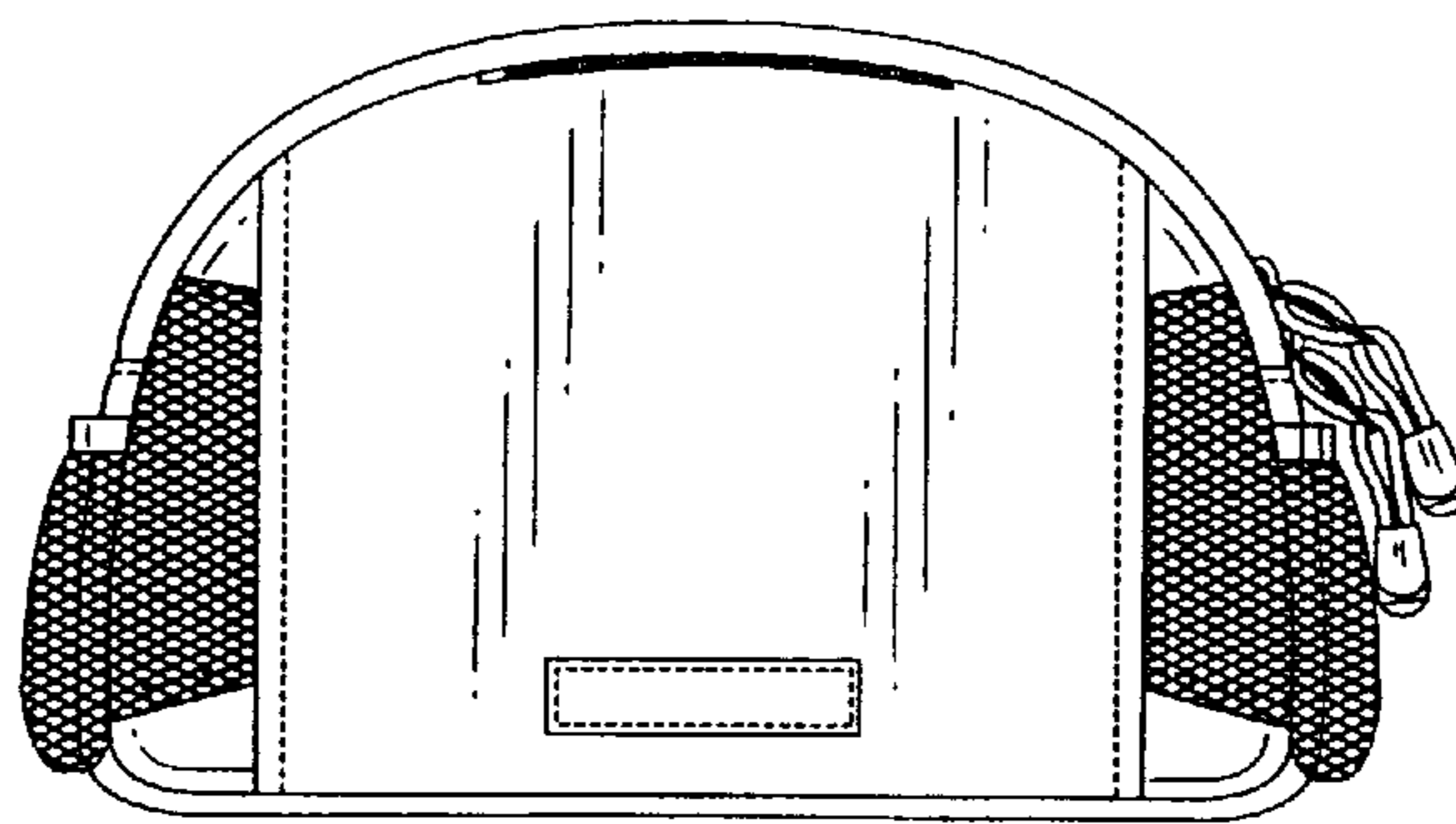


FIG. 12

