



US00D487177S

(12) **United States Design Patent** (10) **Patent No.:** **US D487,177 S**
Skalka (45) **Date of Patent:** **** *Feb. 24, 2004**

(54) **TRASH CAN RECEPTACLE**

(75) Inventor: **Gerald P. Skalka**, Potomac, MD (US)

(73) Assignee: **Victor Stanley, Inc.**, Dunkirk, MD (US)

(*) Notice: This patent is subject to a terminal disclaimer.

(**) Term: **14 Years**

(21) Appl. No.: **29/174,814**

(22) Filed: **Jan. 27, 2003**

Related U.S. Application Data

(60) Division of application No. 29/146,107, filed on Aug. 6, 2001, which is a continuation-in-part of application No. 29/118,677, filed on Feb. 11, 2000, now Pat. No. Des. 452,760, which is a division of application No. 29/099,029, filed on Jan. 12, 1999, now Pat. No. Des. 441,932, said application No. 29/146,107, and a continuation-in-part of application No. 29/121,054, filed on Mar. 31, 2000, now Pat. No. Des. 454,238.

(51) **LOC (7) Cl.** **09-09**

(52) **U.S. Cl.** **D34/6; D34/1**

(58) **Field of Search** **D34/1, 7, 8, 9, D34/10, 11; 220/908, 908.1, 909, 910, 911, 913**

(56) **References Cited**

U.S. PATENT DOCUMENTS

711,410 A	10/1902	Means
1,080,470 A	12/1913	Nutter et al.
D51,368 S	10/1917	Ellis
1,512,976 A	10/1924	Burkhardt
D195,906 S	8/1963	Hickerson
D216,372 S	12/1969	Lipko
D304,253 S	10/1989	Skalka
D304,632 S	11/1989	Skalka
D306,928 S	3/1990	Hanna
4,955,497 A	9/1990	Winden et al.

(List continued on next page.)

OTHER PUBLICATIONS

Victor Stanley, Inc. Products, Ironsites™ Series: S-42, Lid Options, www.victorstanelly.com/html/prod/ironsites-s42.html (Mar. 11, 2002).

Primary Examiner—Cynthia E. Ramirez
(74) *Attorney, Agent, or Firm*—Jacobson Holman PLLC

(57) **CLAIM**

The ornamental design for a trash can receptacle, as shown and described.

DESCRIPTION

FIG. 1 is a perspective view of a trash can receptacle showing a first embodiment of my new design, shown with the door in an open position;

FIG. 2 is a perspective view of the trash can receptacle of FIG. 1, shown with the door in a closed position;

FIG. 3 is a left side elevational view of the trash can receptacle of FIG. 1, shown with the door in a closed position;

FIG. 4 is a front elevational view of the trash can receptacle of FIG. 1, shown with the door in a closed position;

FIG. 5 is a rear elevational view of the trash can receptacle of FIG. 1, shown with the door in a closed position;

FIG. 6 is a top plan view of the trash can receptacle of FIG. 1, shown with the door in a closed position;

FIG. 7 is a bottom plan view of the trash can receptacle of FIG. 1, shown with the door in a closed position;

FIG. 8 is a perspective view of a trash can receptacle showing a second embodiment of my new design, shown with the door in an open position;

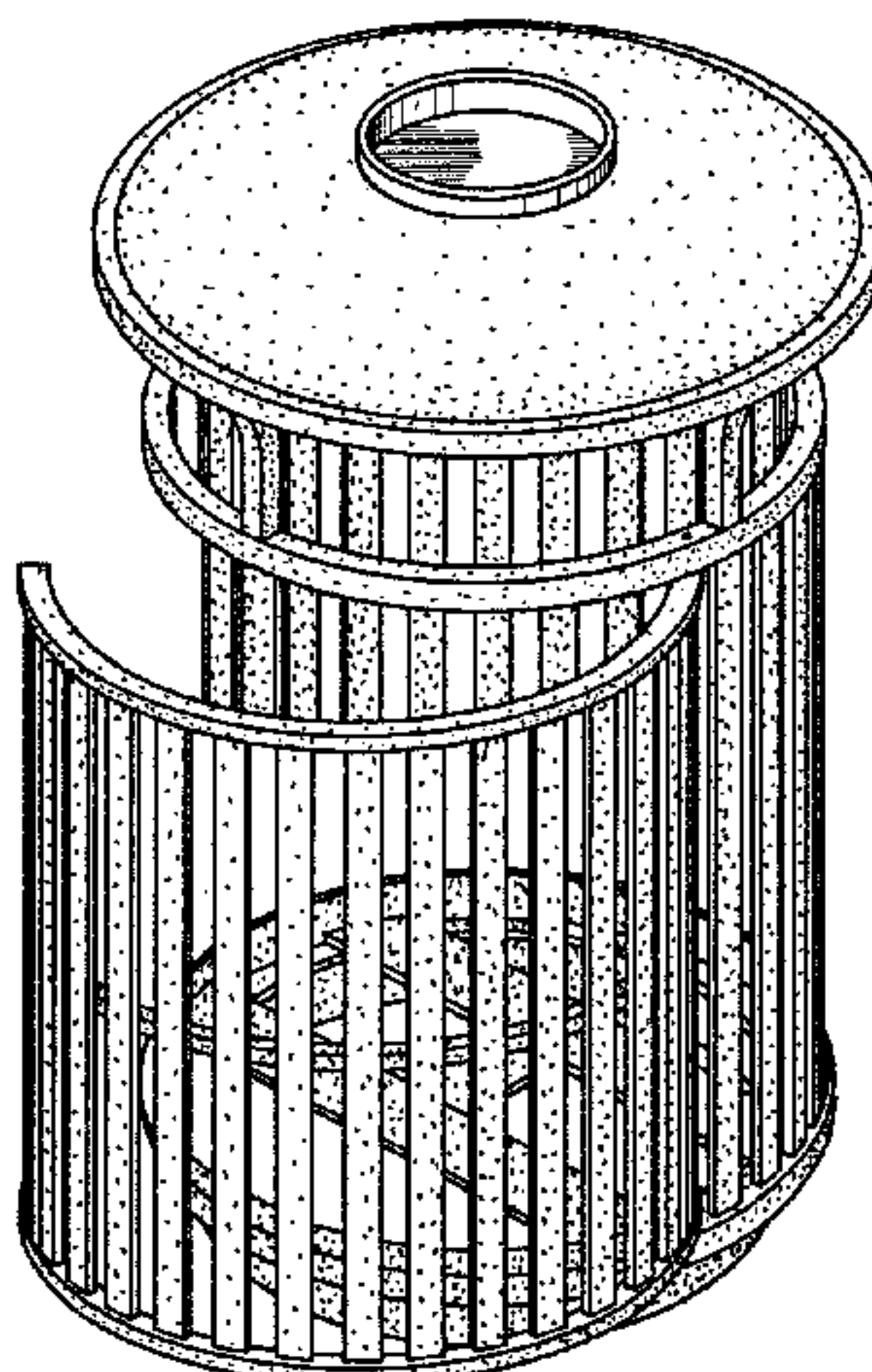
FIG. 9 is a perspective view of the trash can receptacle of FIG. 8, shown with the door in a closed position;

FIG. 10 is a left side elevational view of the trash can receptacle of FIG. 8, shown with the door in a closed position;

FIG. 11 is a front elevational view of the trash can receptacle of FIG. 8, shown with the door in a closed position; and,

FIG. 12 is a rear elevational view of the trash can receptacle of FIG. 8, shown with the door in a closed position.

1 Claim, 5 Drawing Sheets



US D487,177 S

Page 2

U.S. PATENT DOCUMENTS

D314,461 S	2/1991	Skalka	D397,361 S	8/1998	Goodman et al.
D322,347 S	12/1991	Skalka	D424,769 S	5/2000	Hornyak
D322,348 S	12/1991	Skalka	D441,932 S	5/2001	Skalka
D353,250 S	12/1994	Skalka	D445,982 S	7/2001	Skalka
D371,657 S	7/1996	Kirn et al.	D450,166 S	11/2001	Skalka
5,624,050 A	4/1997	Haas	D452,760 S	1/2002	Skalka
D391,723 S	3/1998	McCombs	D454,238 S	3/2002	Skalka
			D458,431 S	6/2002	Skalka

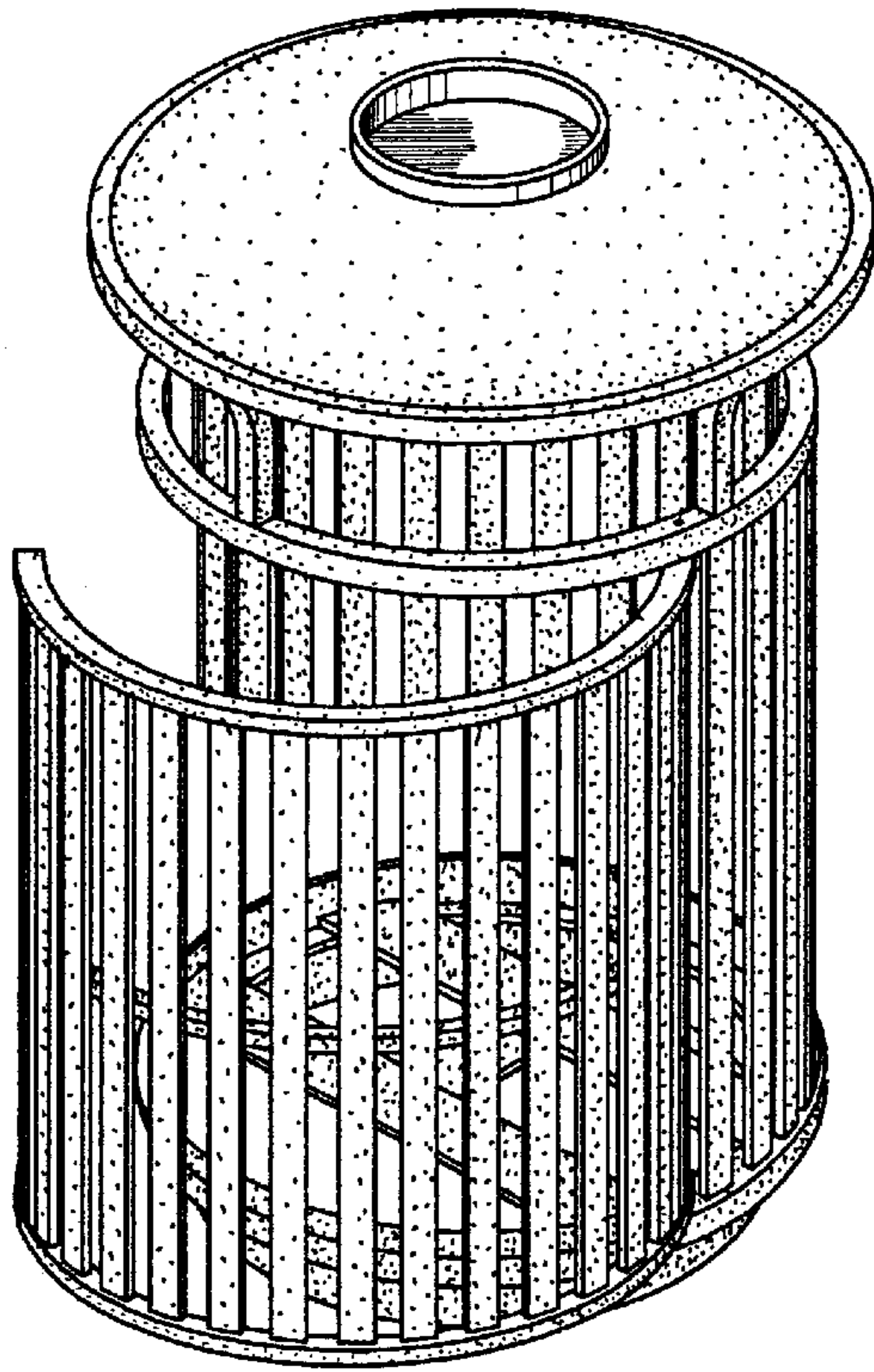


FIG. 1

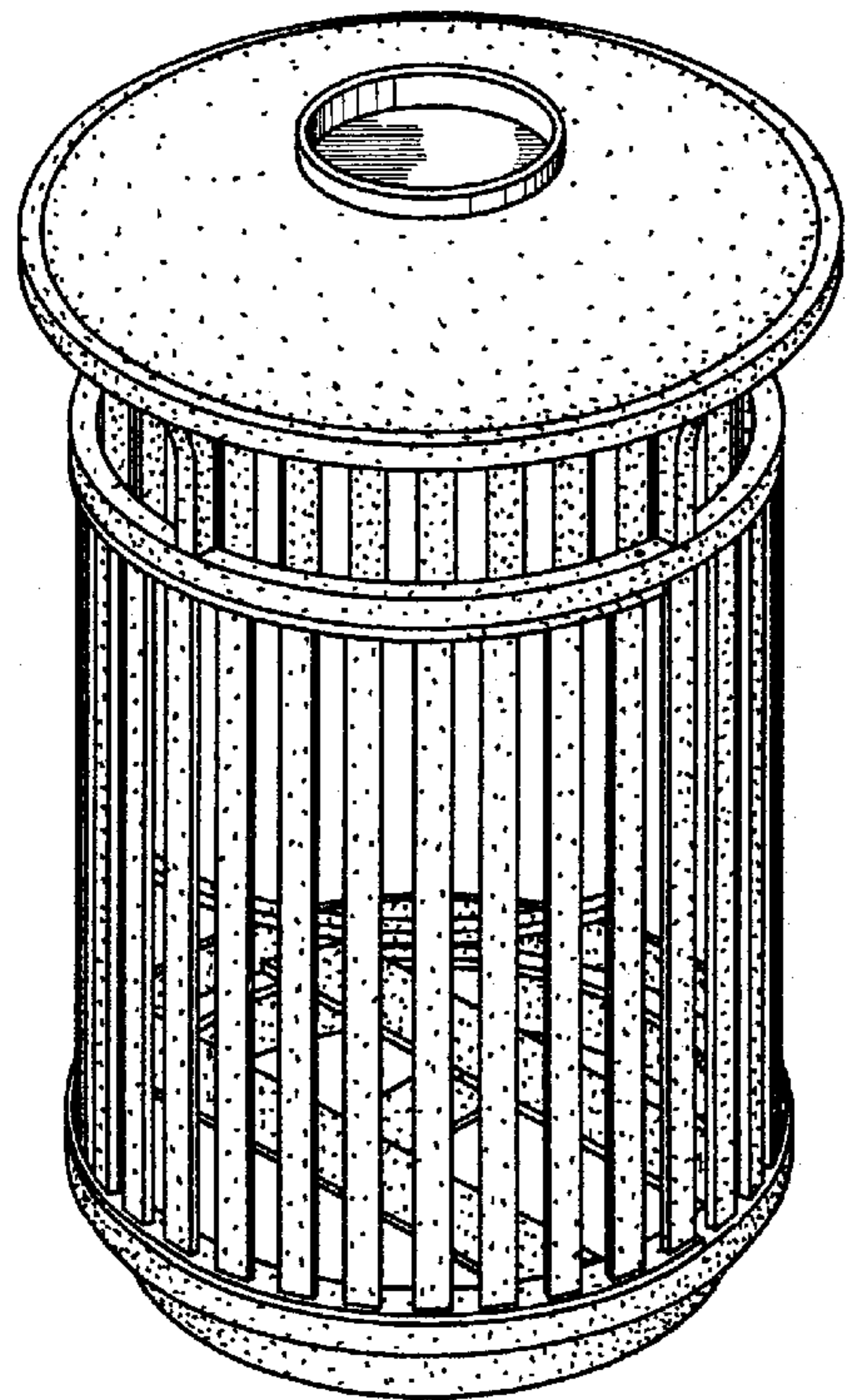


FIG. 2

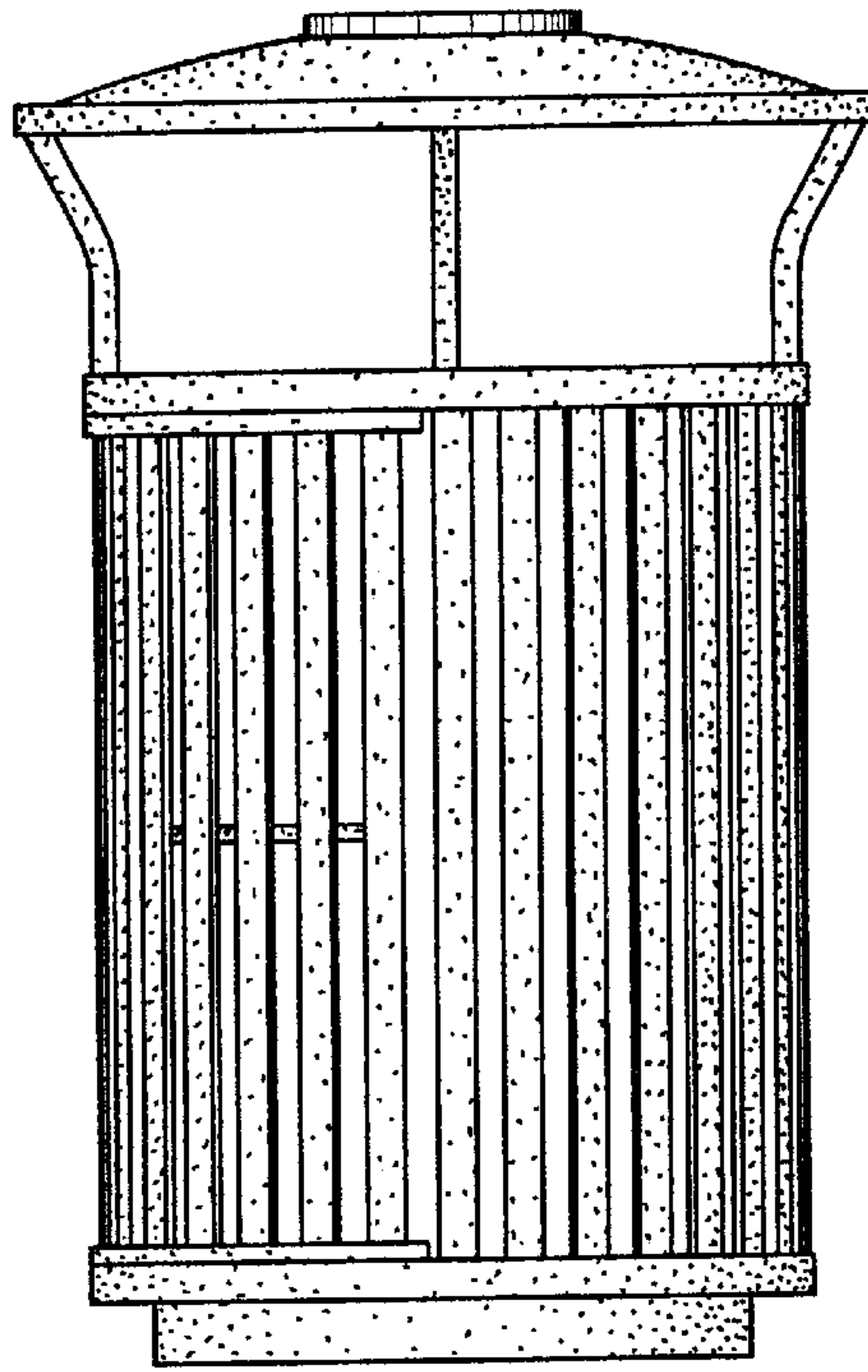


FIG. 3

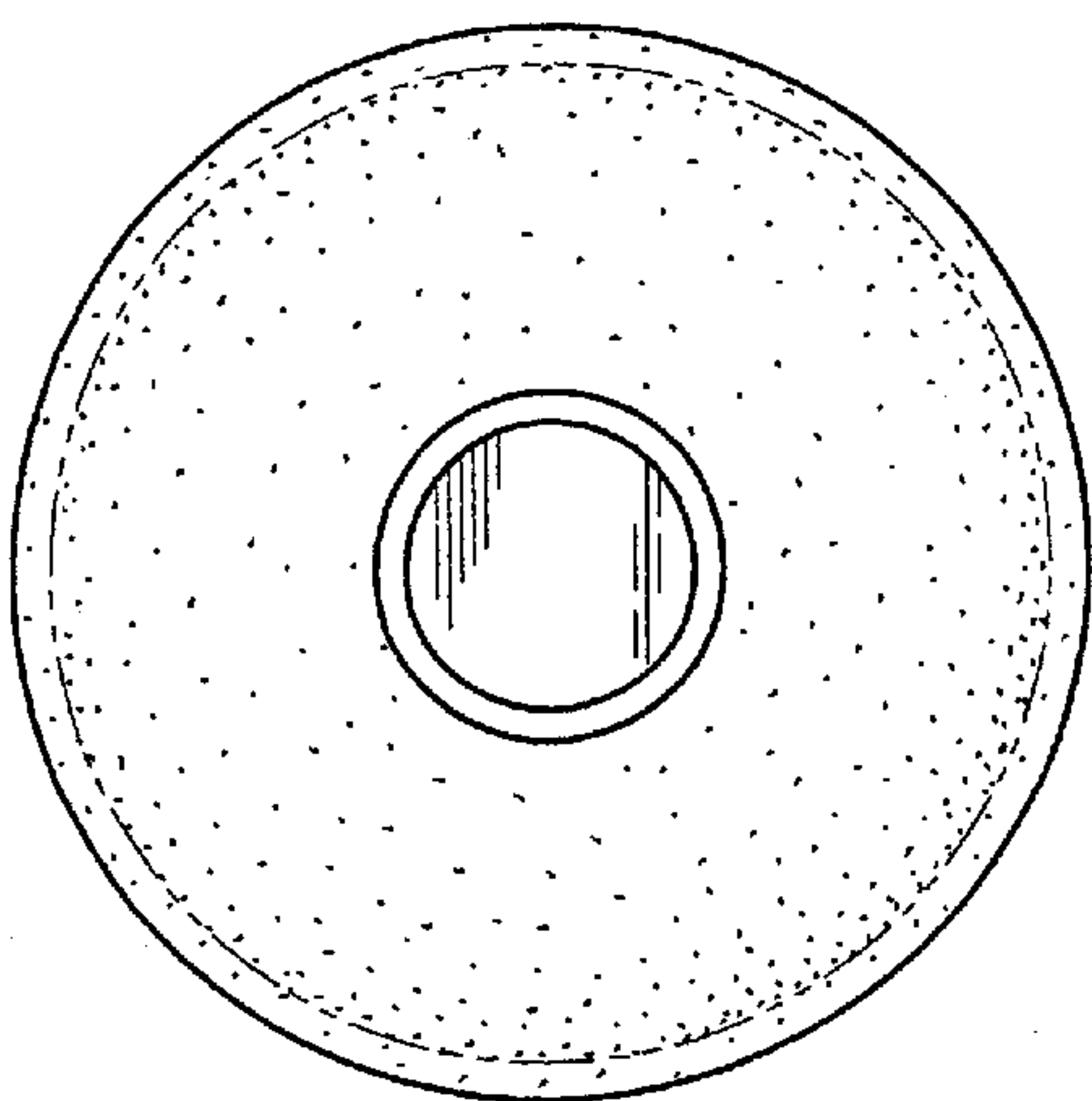


FIG. 6

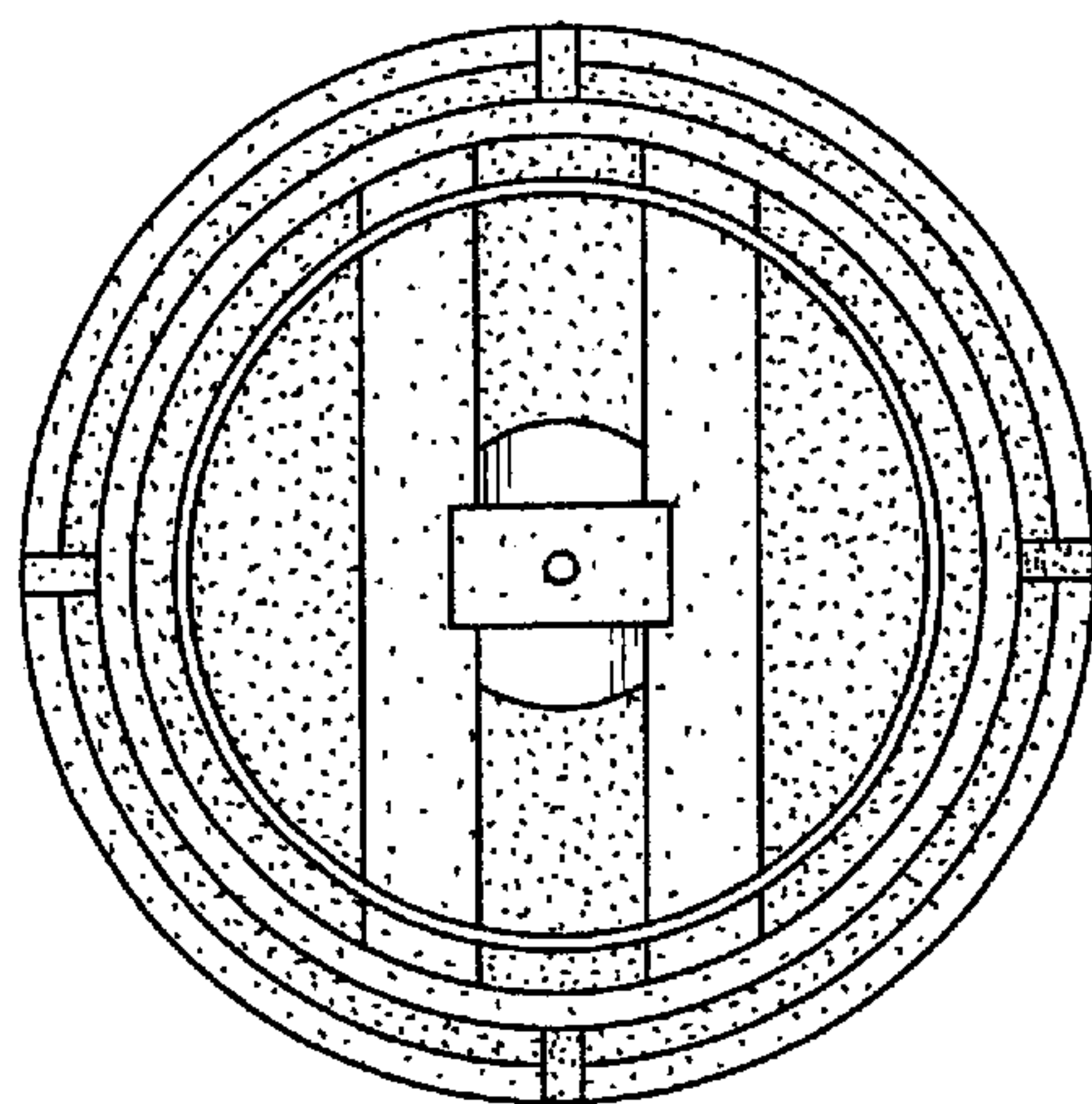


FIG. 7

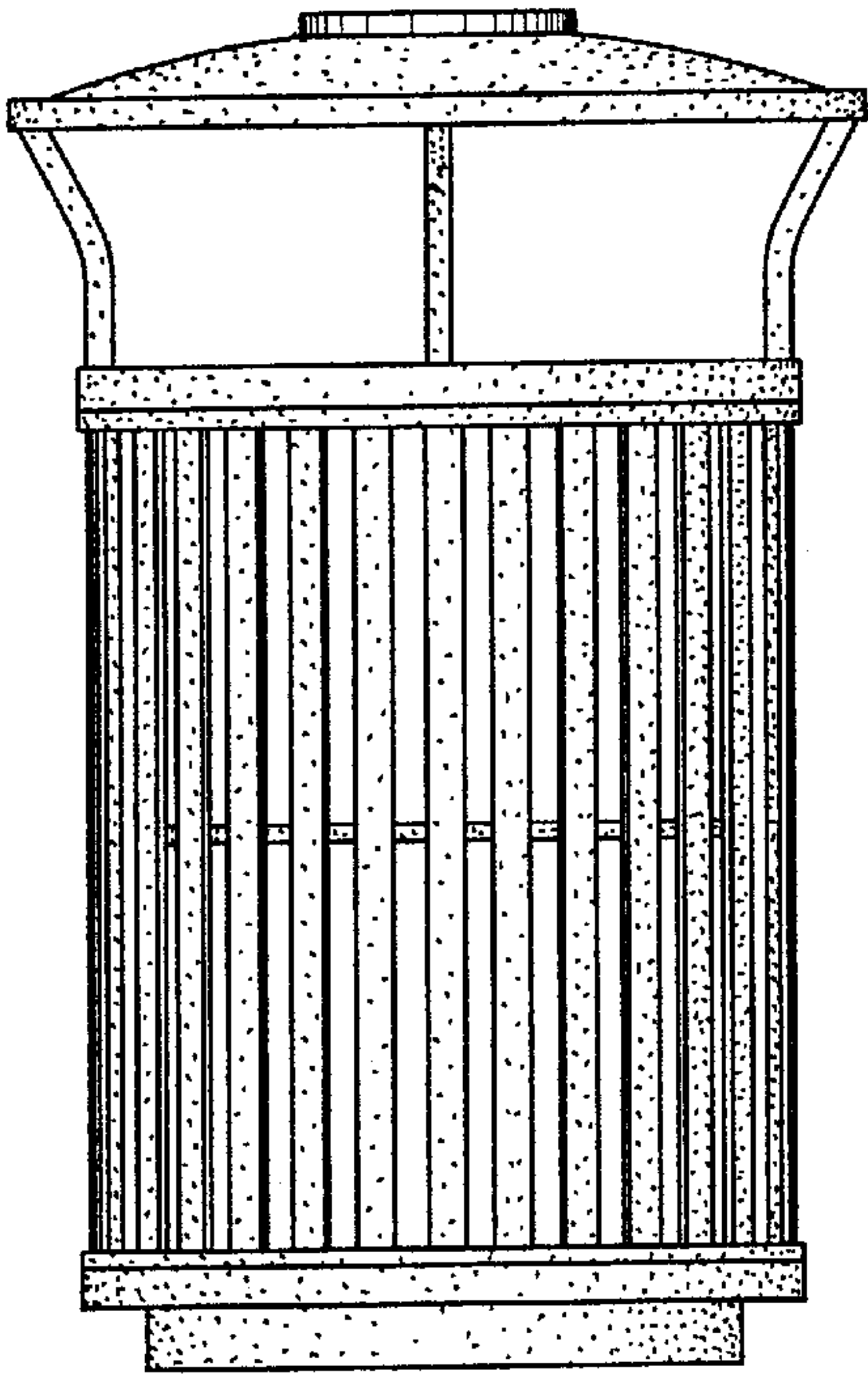


FIG. 4

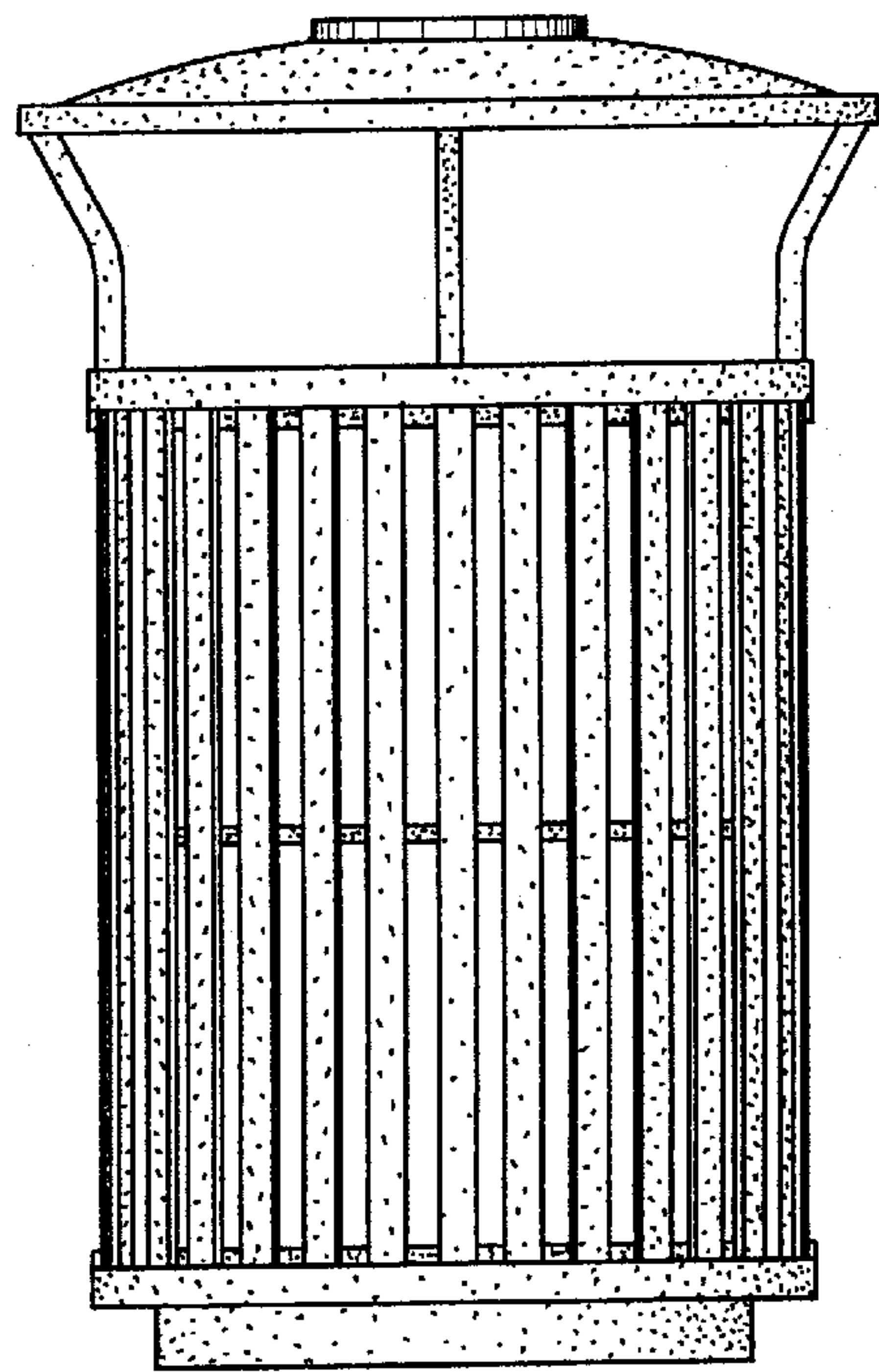


FIG. 5

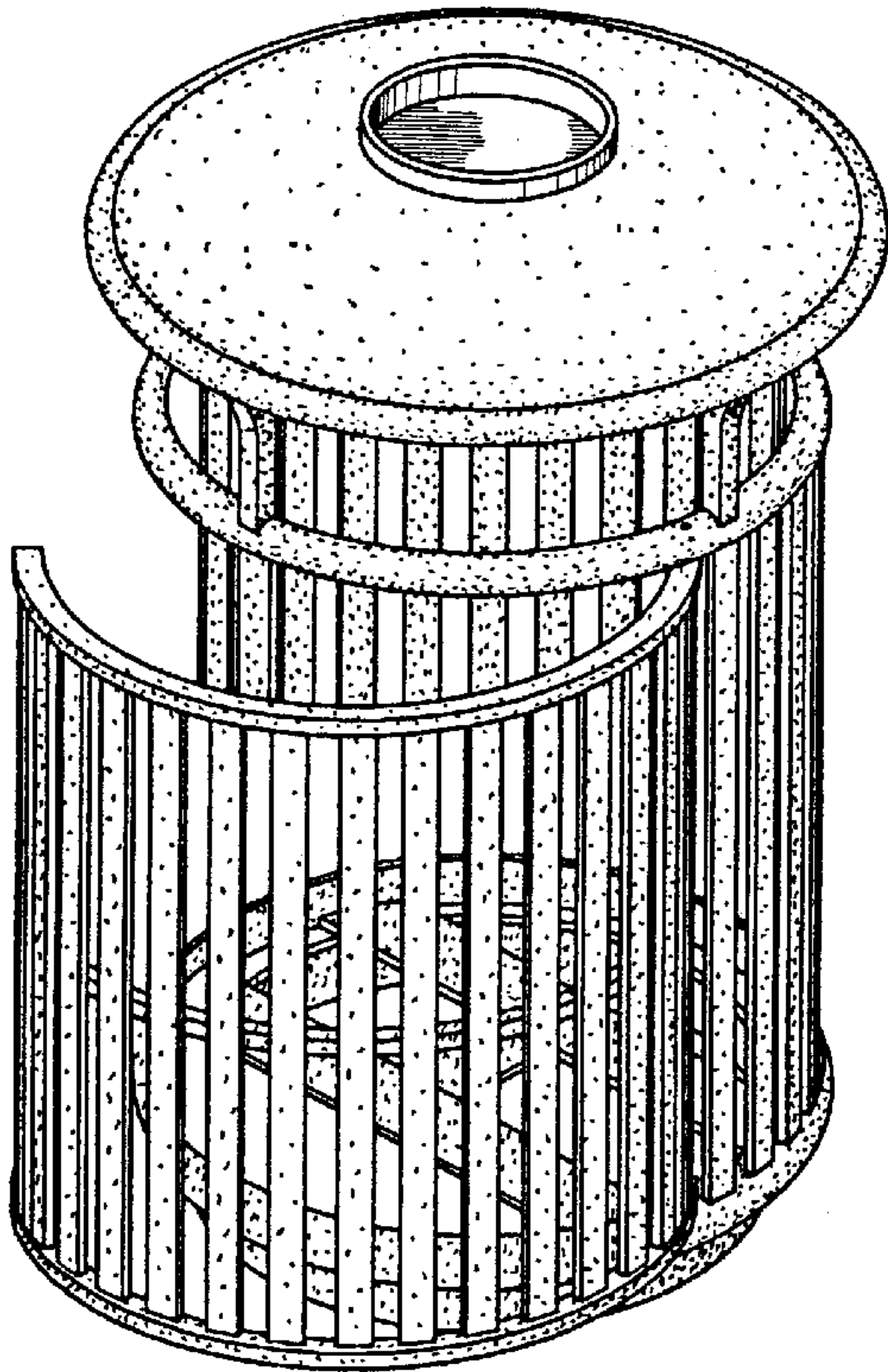


FIG. 8

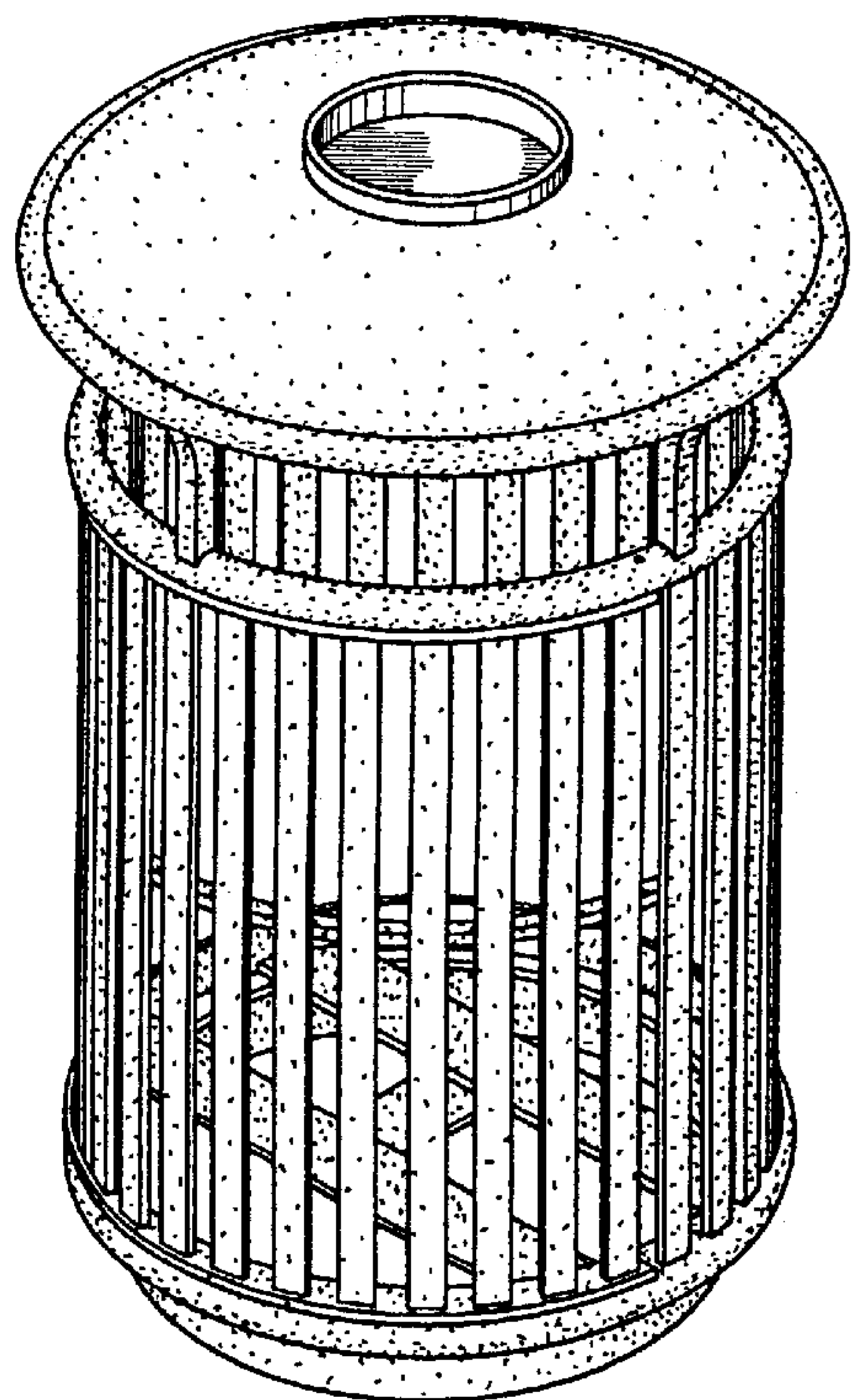


FIG. 9

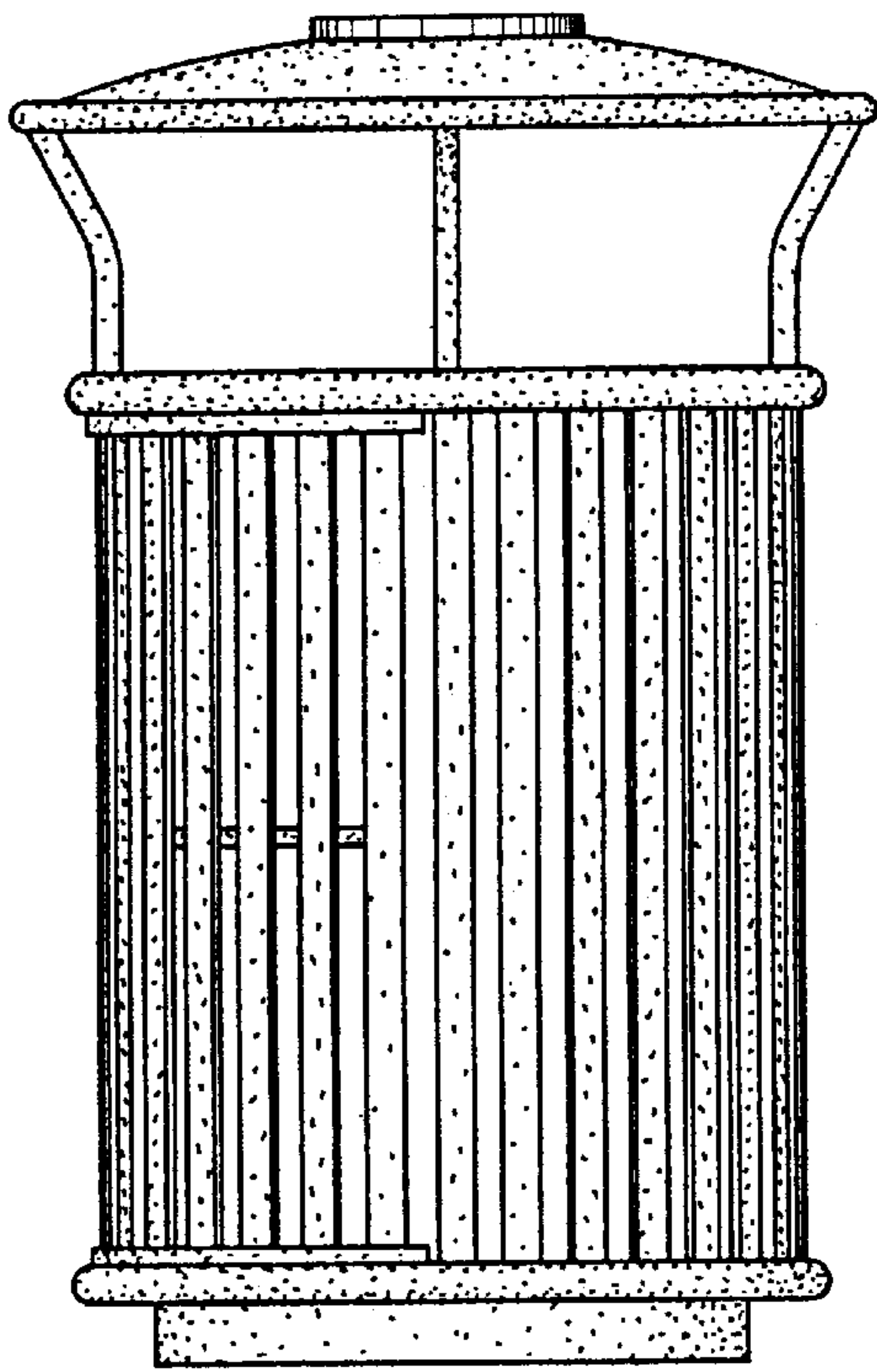


FIG. 10

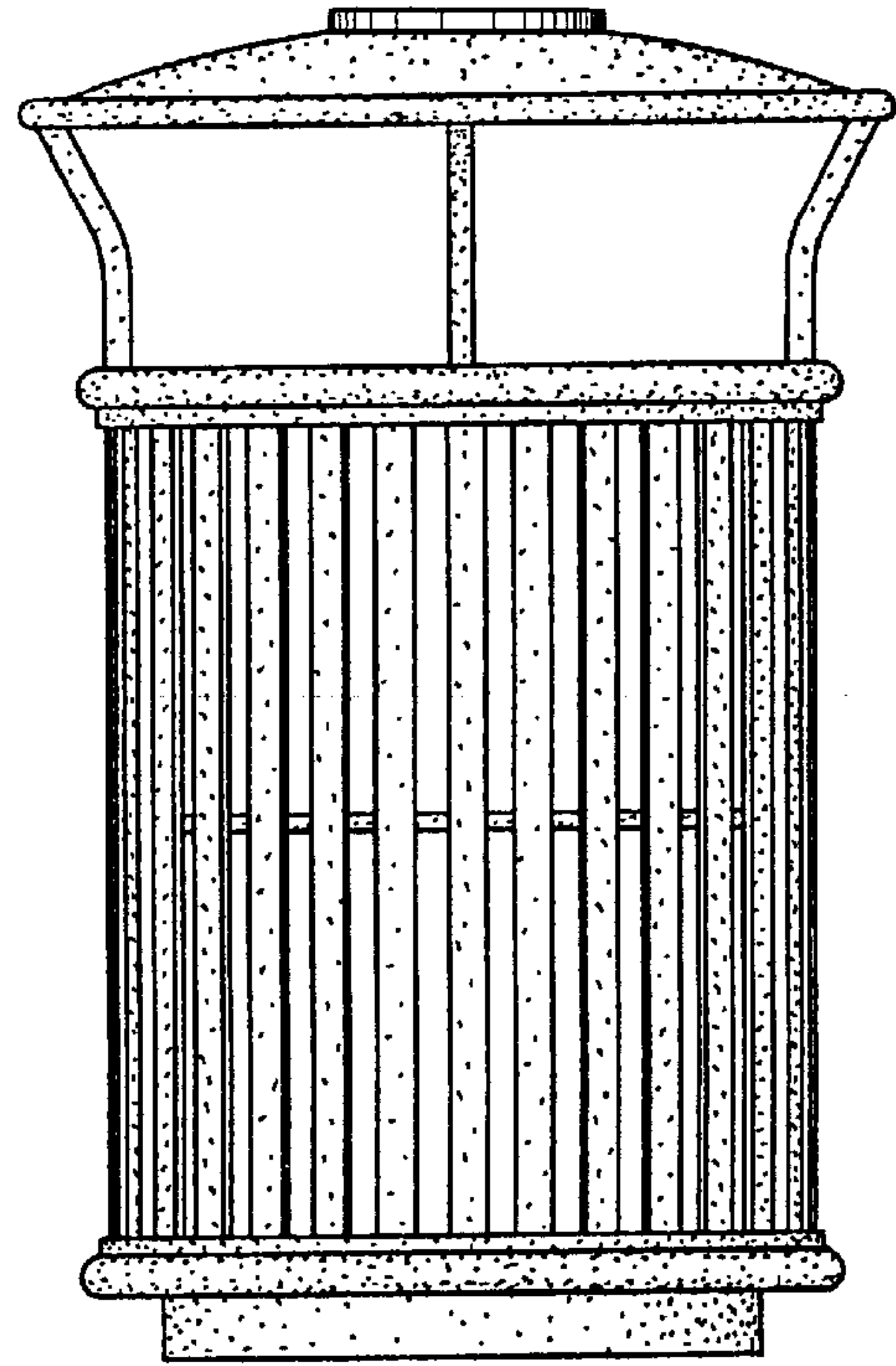


FIG. 11

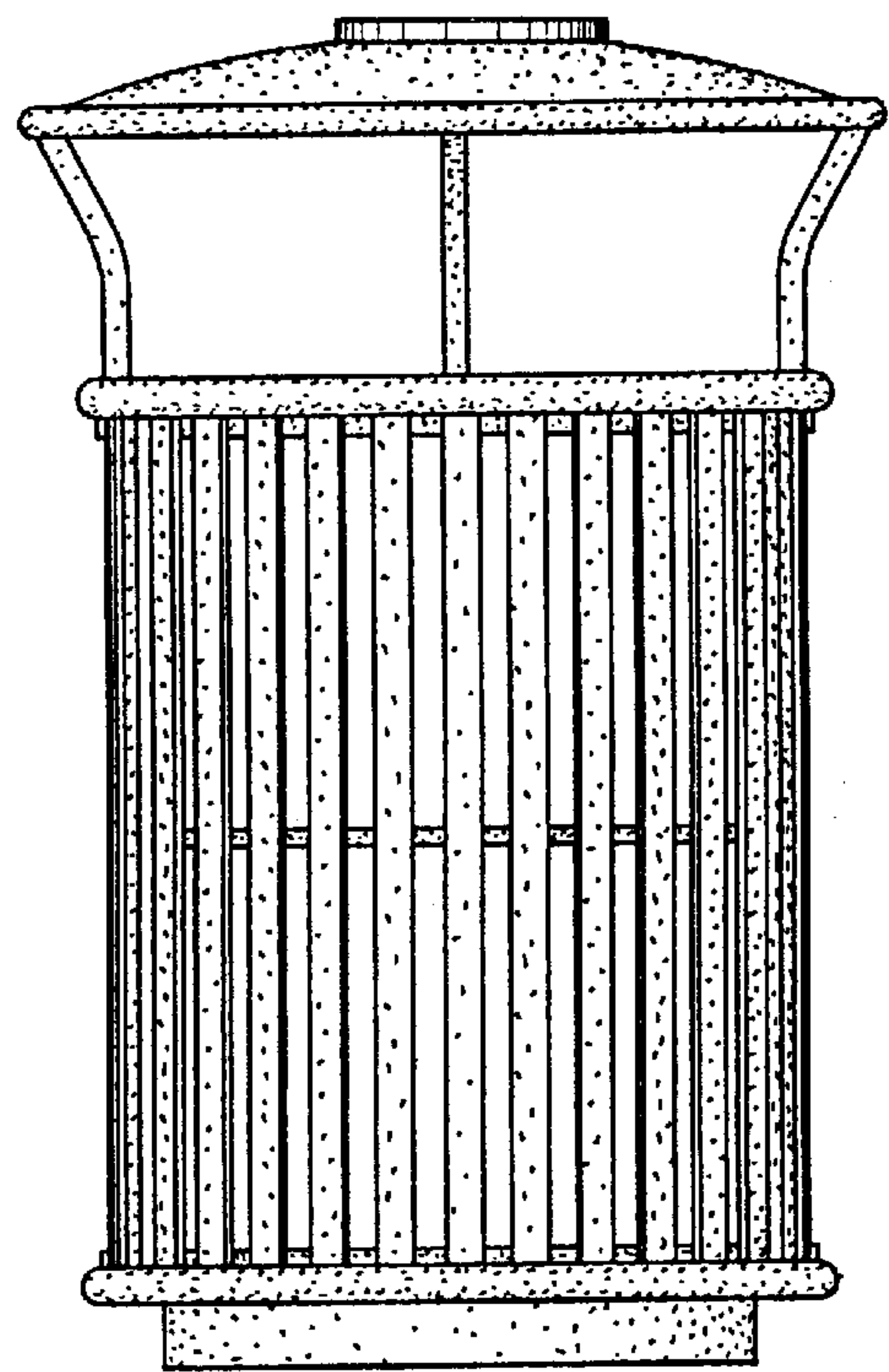


FIG. 12