



US00D487175S

(12) **United States Design Patent**
Hubbard

(10) **Patent No.:** **US D487,175 S**

(45) **Date of Patent:** **** Feb. 24, 2004**

(54) **MAGNETIC WAX APPLICATOR**

(76) Inventor: **Robert E. Hubbard**, R.R. 1 Box
1360A, Clarendon, PA (US) 16313

(**) Term: **14 Years**

(21) Appl. No.: **29/183,530**

(22) Filed: **Jun. 11, 2003**

(51) **LOC (7) Cl.** **04-01**

(52) **U.S. Cl.** **D32/51**

(58) **Field of Search** D32/35, 40, 50-52;
15/143.1, 209.1, 210.1, 220.1, 220.2, 228,
229.13, 231, 232, 147.1, 244.1

(56) **References Cited**

U.S. PATENT DOCUMENTS

1,531,225	A	*	3/1925	Rose	15/143.1
2,354,969	A	*	8/1944	Trindl et al.	15/244.1
2,827,651	A		3/1958	Rizk		
2,853,730	A	*	9/1958	Belsky et al.	15/209.1
2,934,779	A		5/1960	Wollner		
2,979,757	A	*	4/1961	Smith		
3,090,064	A		5/1963	Garrett		
D235,603	S	*	7/1975	Doyel	D32/52
3,894,511	A		7/1975	Armour et al.		
D294,202	S		2/1988	Adair		
5,058,233	A	*	10/1991	Davis, III	15/244.1

5,309,594	A		5/1994	Thompson		
5,775,982	A		7/1998	Paterno		
D437,095	S		1/2001	Osiecki et al.		
D470,284	S	*	2/2003	Vega	D32/52
2002/0104180	A1		8/2002	Huang		

* cited by examiner

Primary Examiner—Alan P. Douglas
Assistant Examiner—Lavone D. Tabor
(74) *Attorney, Agent, or Firm*—Eric Karich

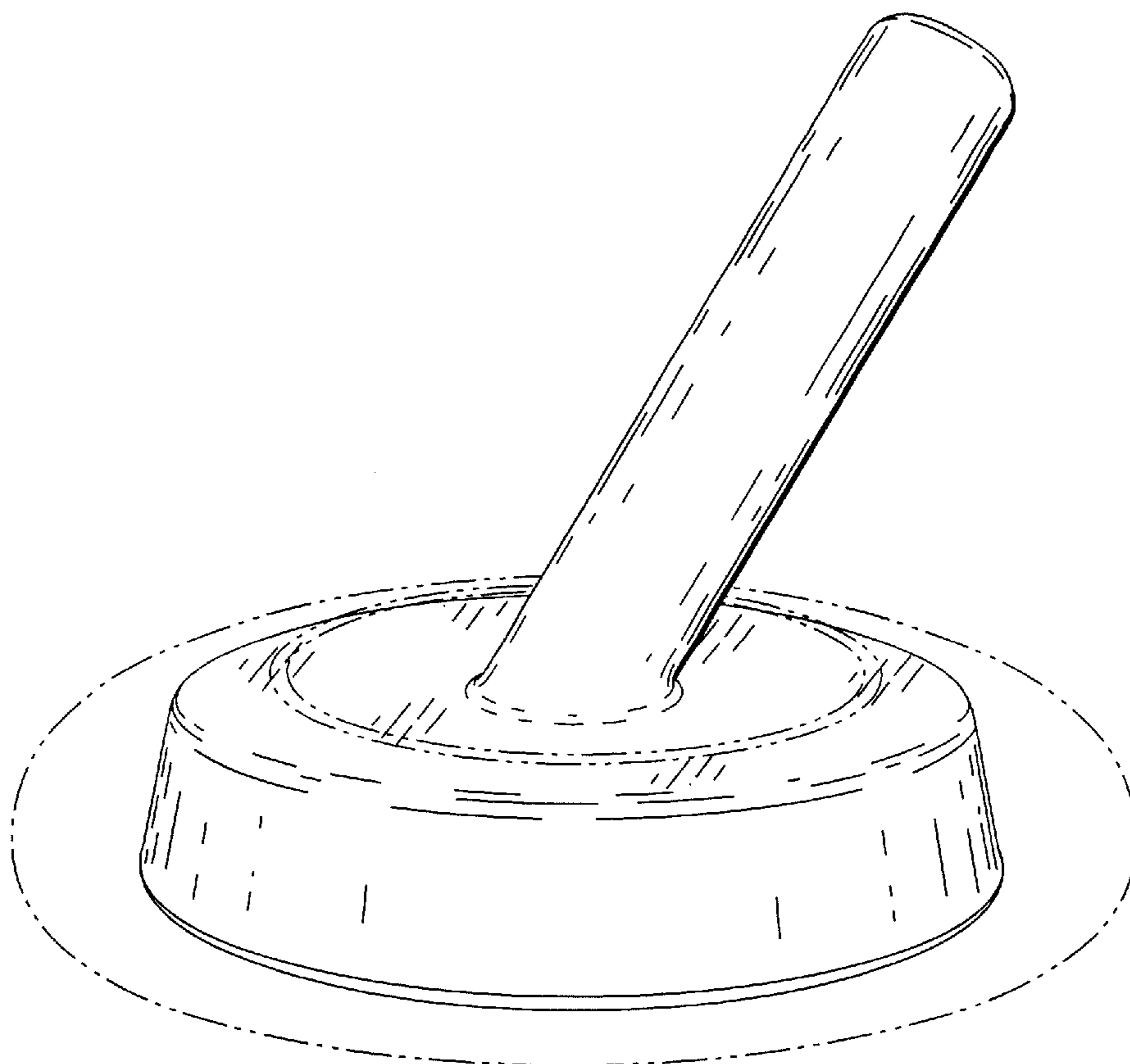
(57) **CLAIM**

The ornamental design for a “magnetic wax applicator”, as shown and described.

DESCRIPTION

FIG. 1 is a perspective view of a magnetic wax applicator, showing my new design;
FIG. 2 is a left side elevational view thereof, the right side elevational view being a mirror image thereof;
FIG. 3 is a rear elevational view thereof;
FIG. 4 is a front elevational view thereof;
FIG. 5 is a top plan view thereof; and,
FIG. 6 is a bottom plan view thereof.
The broken line showing of a surface as well as the broken lines on the top of the applicator in FIG. 1 are for illustrative purposes only and Form no part of the claimed design.

1 Claim, 3 Drawing Sheets



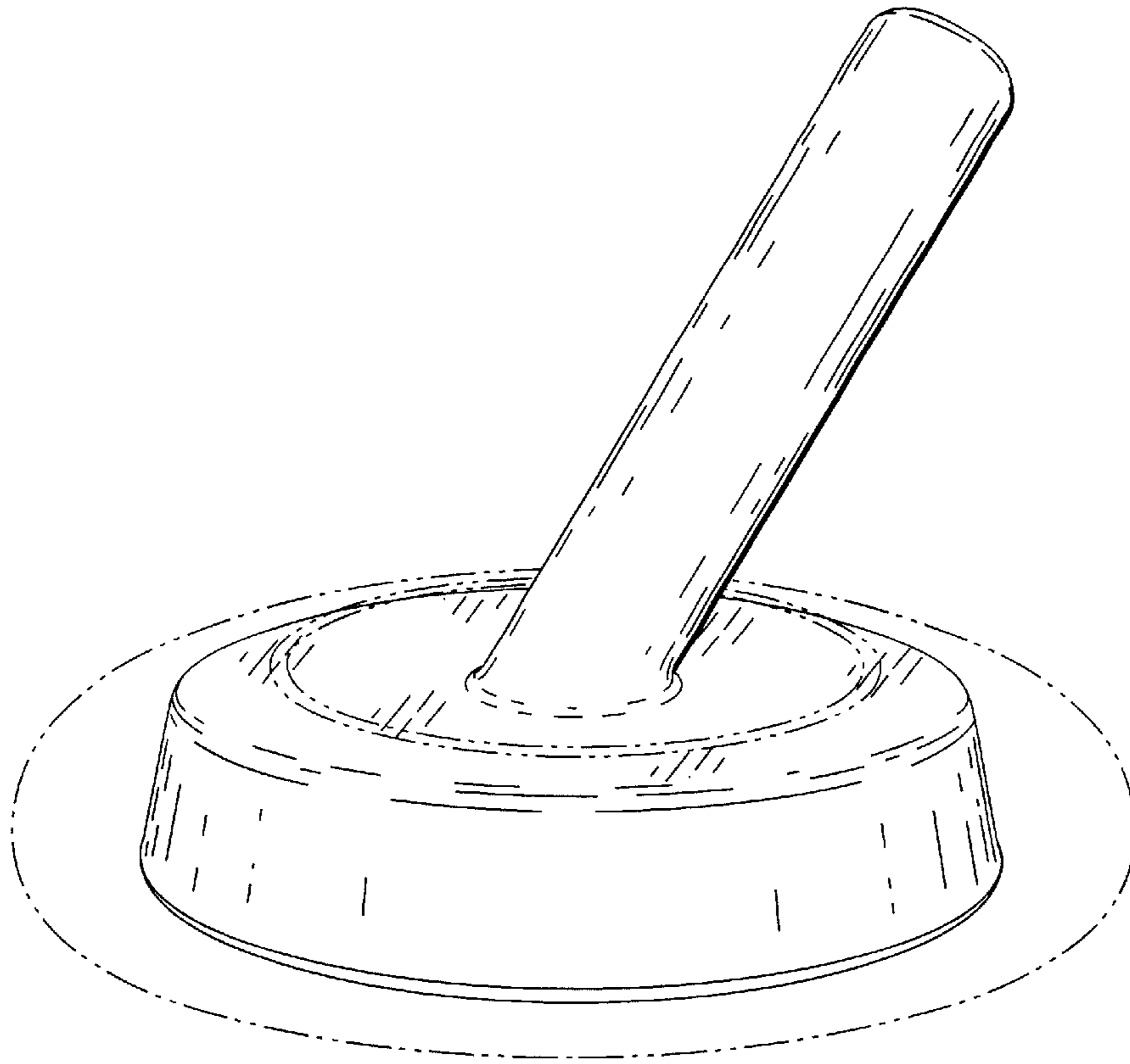


Fig. 1

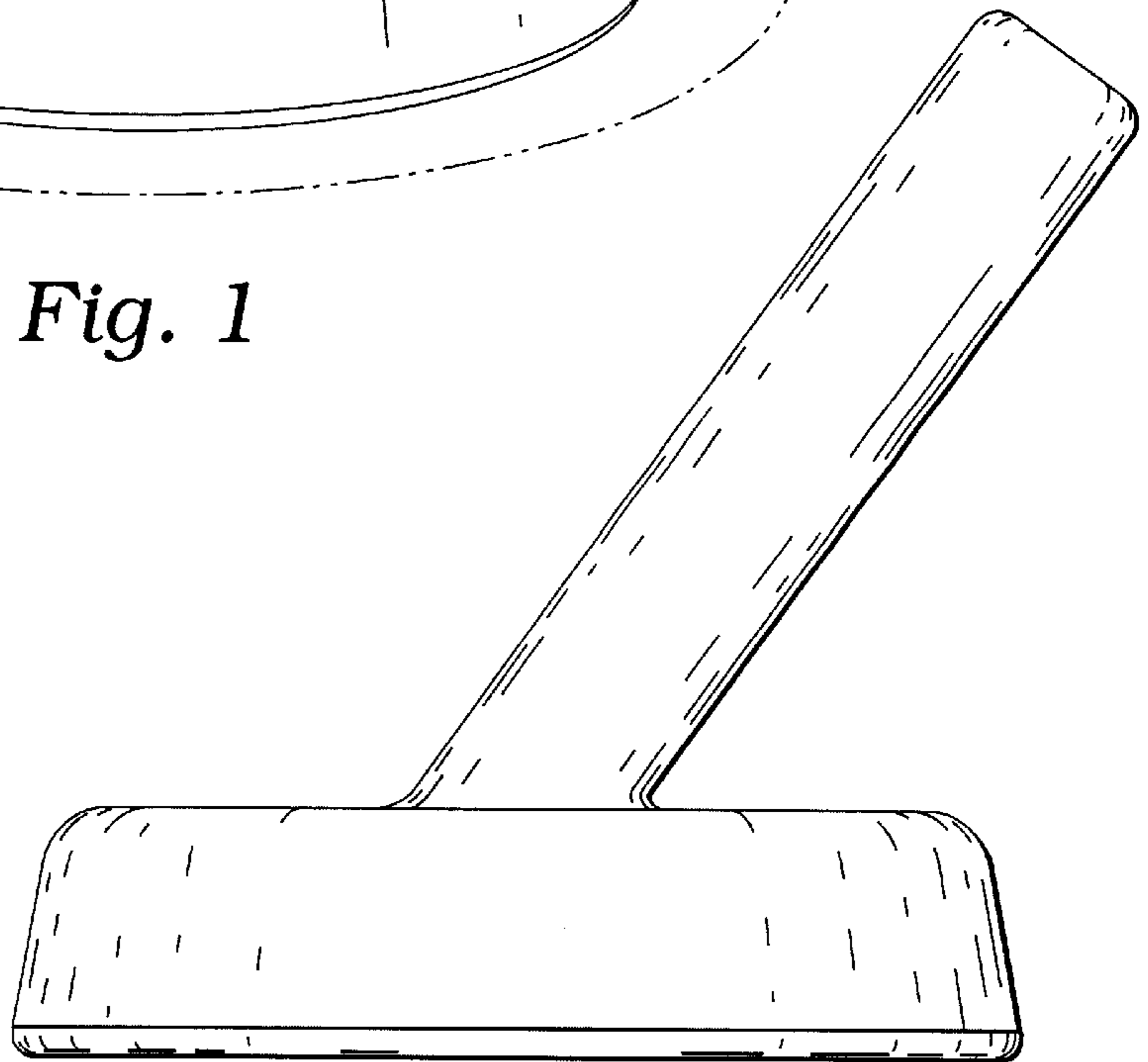


Fig. 2

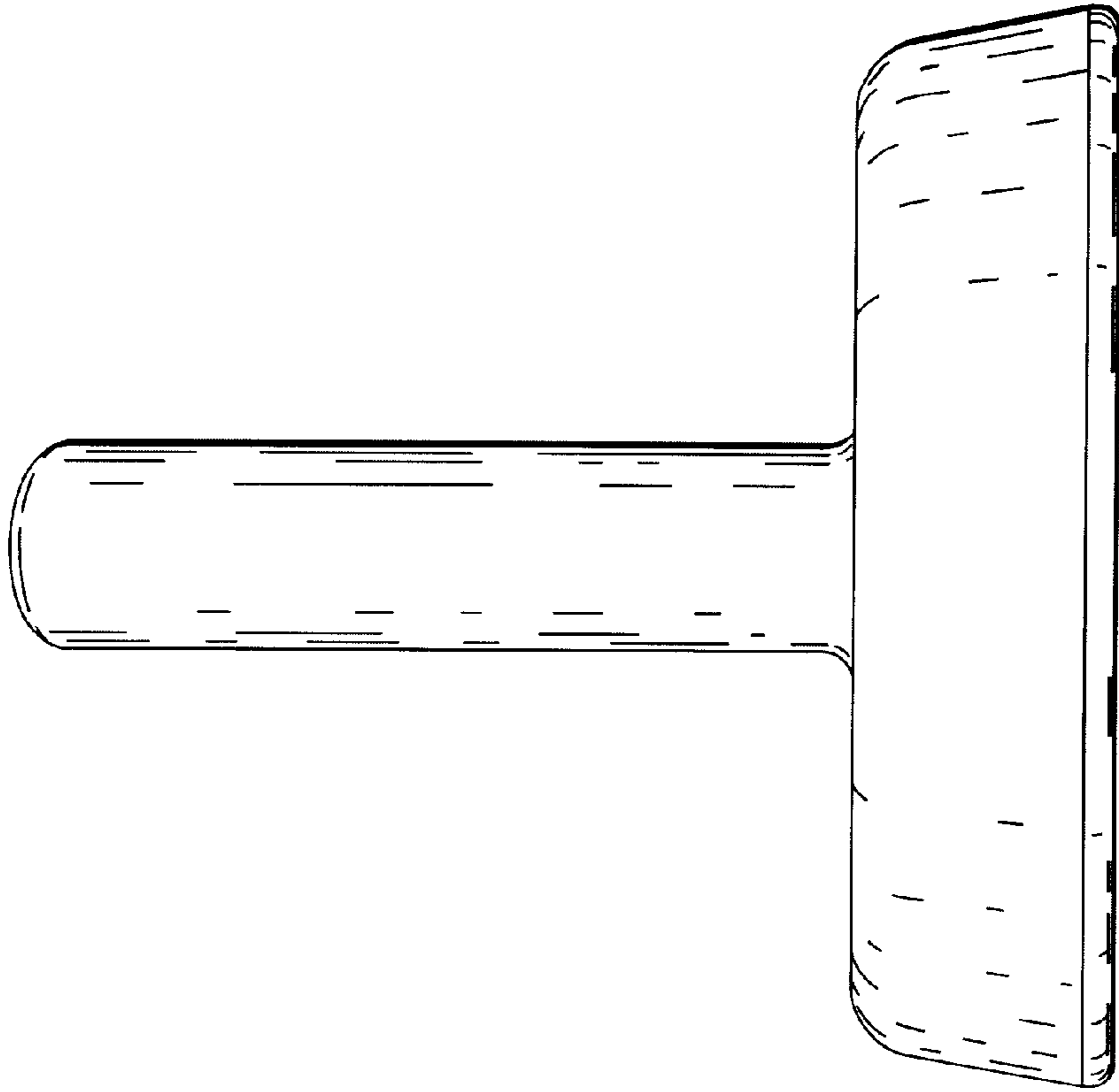


Fig. 4

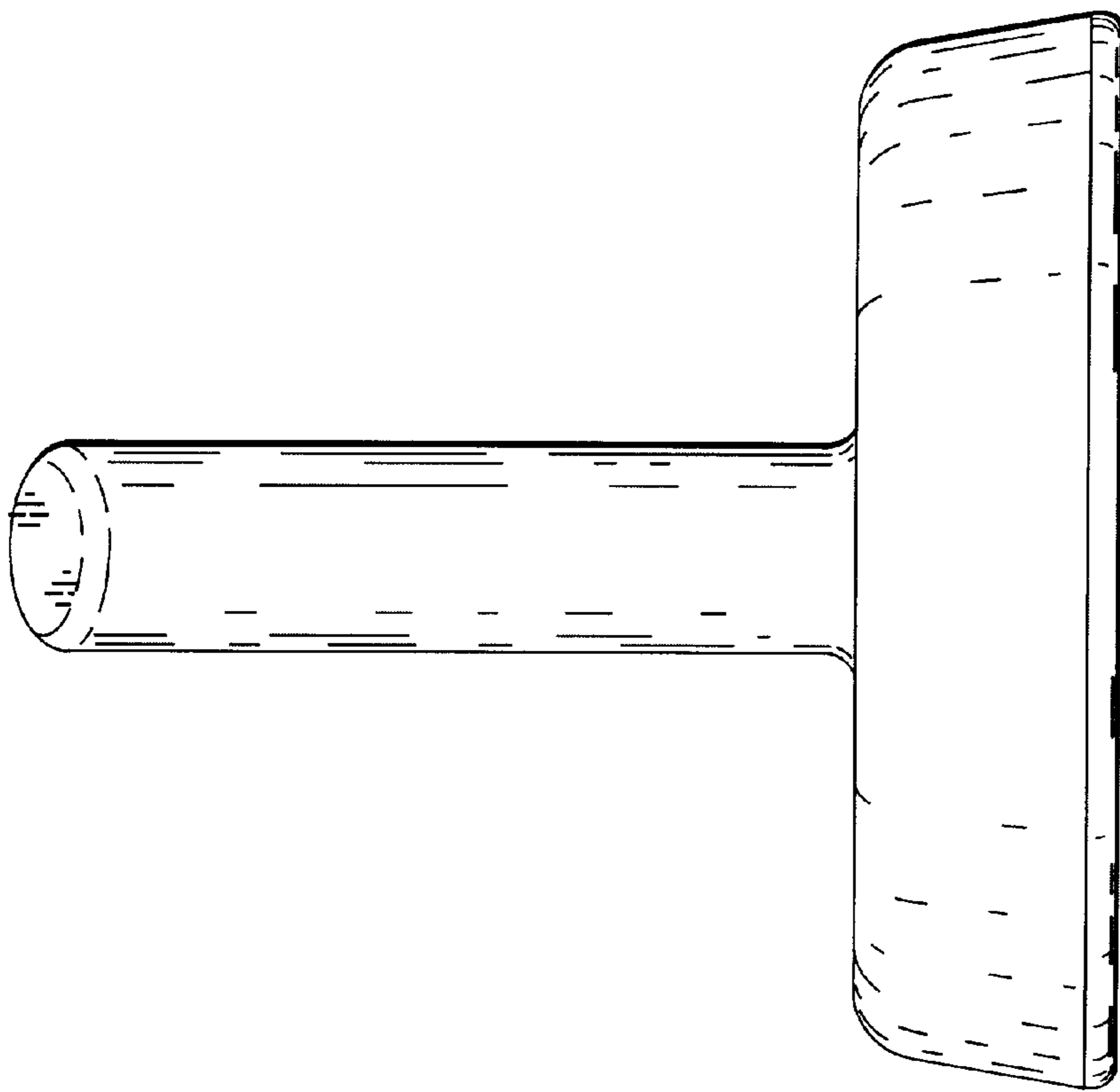


Fig. 3

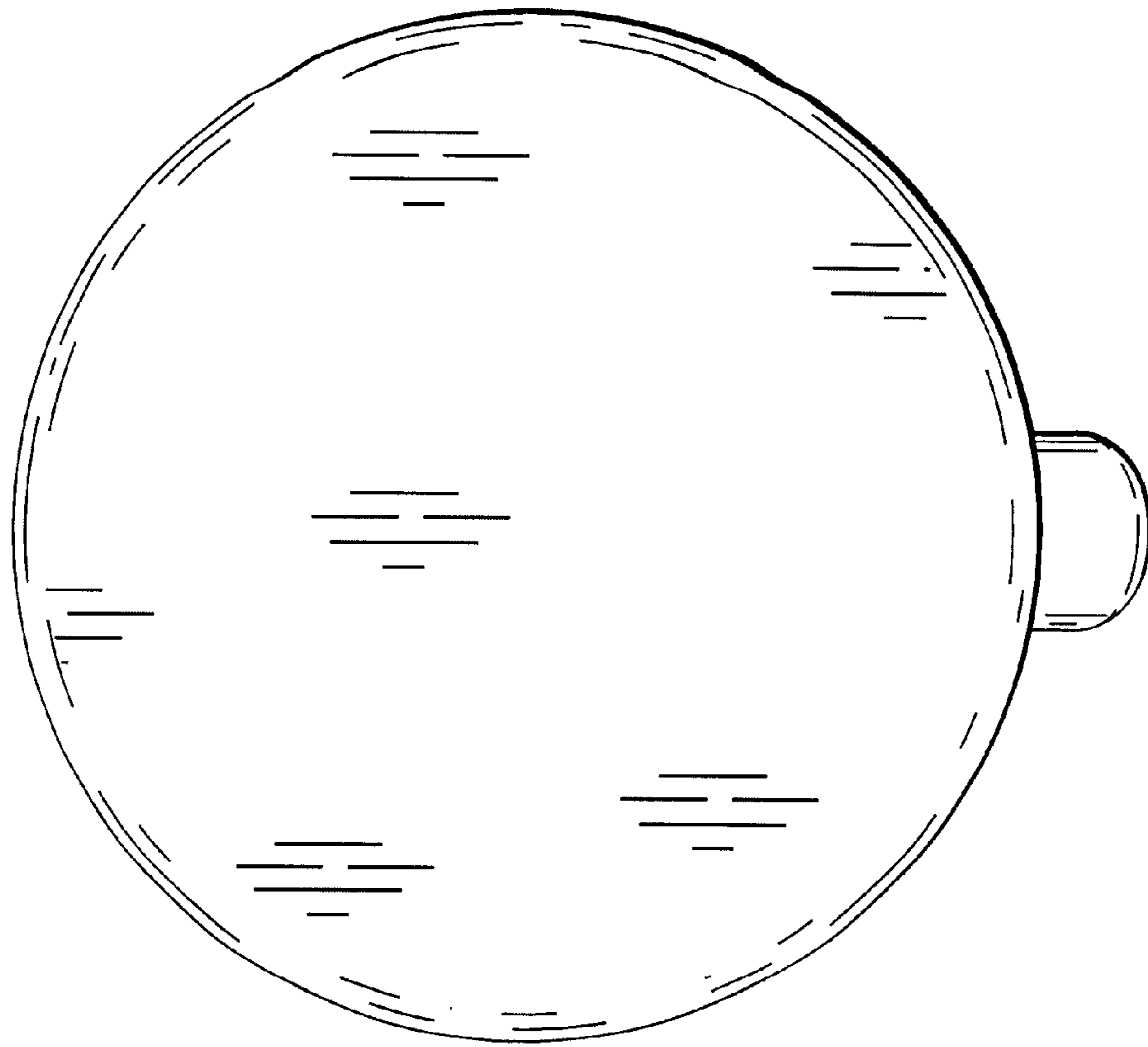


Fig. 5

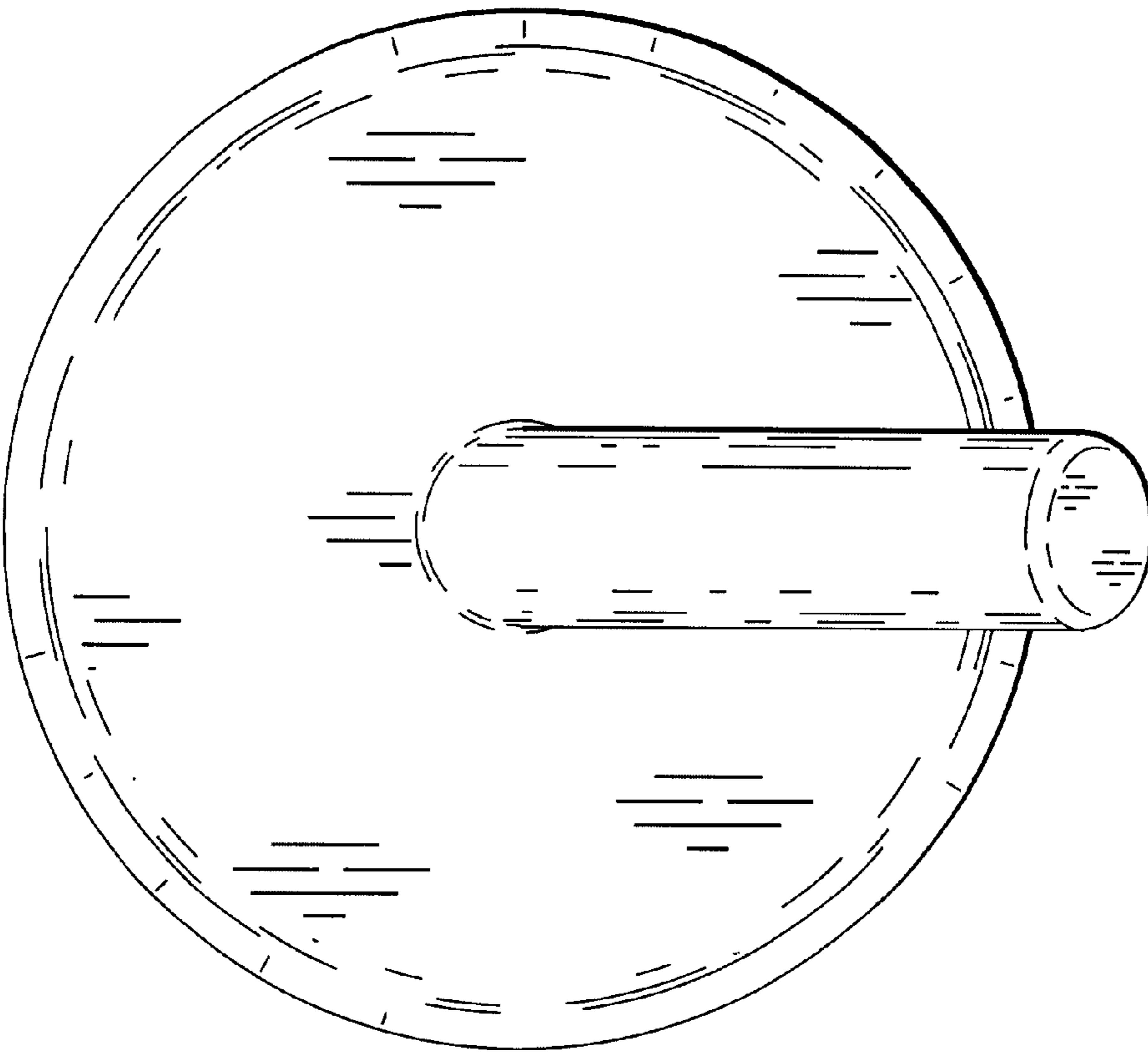


Fig. 6