



US00D487174S

(12) **United States Design Patent**  
**Colman et al.**

(10) **Patent No.:** **US D487,174 S**

(45) **Date of Patent:** **\*\* Feb. 24, 2004**

(54) **CLEANING IMPLEMENT**

(75) Inventors: **Ben Colman**, Sheffield (GB); **Paulus Antonius Augustinus Höfte**, Sint Martens Latem (BE); **Johannes Lambertus Maria Mensink**, Tervuren (BE); **Leonard Joseph Keller, Jr.**, Cincinnati, OH (US)

(73) Assignee: **The Procter & Gamble Company**, Cincinnati, OH (US)

(\*\*) Term: **14 Years**

(21) Appl. No.: **29/177,522**

(22) Filed: **Mar. 11, 2003**

(51) **LOC (7) Cl.** ..... **04-01**

(52) **U.S. Cl.** ..... **D32/45; D32/50**

(58) **Field of Search** ..... D32/40, 45, 50, D32/51; 15/143.1, 147.1, 147.2, 209.1, 210.1, 231-233, 244.1, 244.3; 401/137-140, 188 R, 196, 205-207, 268, 270, 278, 279, 283, 290

(56) **References Cited**

**U.S. PATENT DOCUMENTS**

3,123,851 A \* 3/1964 Arndt et al. .... 401/138  
4,119,386 A \* 10/1978 Cushing ..... 401/138  
4,863,299 A \* 9/1989 Osberghaus et al. .... 401/138 X

D401,703 S \* 11/1998 Beechuk et al. .... D32/45  
D423,742 S \* 4/2000 Kingry et al. .... D32/40  
D458,427 S \* 6/2002 Kunkler et al. .... D32/45  
6,497,525 B1 \* 12/2002 Huang ..... 401/138  
6,540,424 B1 \* 4/2003 Hall et al. .... 401/140

**FOREIGN PATENT DOCUMENTS**

DE 3940123 \* 6/1990 ..... A47L/13/26  
FR 2735676 \* 12/1996 ..... A47L/13/26

\* cited by examiner

*Primary Examiner*—Alan P. Douglas

*Assistant Examiner*—Lavone D. Tabor

(74) *Attorney, Agent, or Firm*—Thibault Fayette; Kim William Zerby; Steven W. Miller

(57) **CLAIM**

The ornamental design for a cleaning implement, as shown and described.

**DESCRIPTION**

FIG. 1 is a perspective view of the cleaning implement, embodying the new design;  
FIG. 2 is a left side view thereof;  
FIG. 3 is the right side view thereof;  
FIG. 4 is a front view thereof;  
FIG. 5 is a back view thereof;  
FIG. 6 is a top view thereof; and,  
FIG. 7 is a bottom view thereof.

**1 Claim, 5 Drawing Sheets**

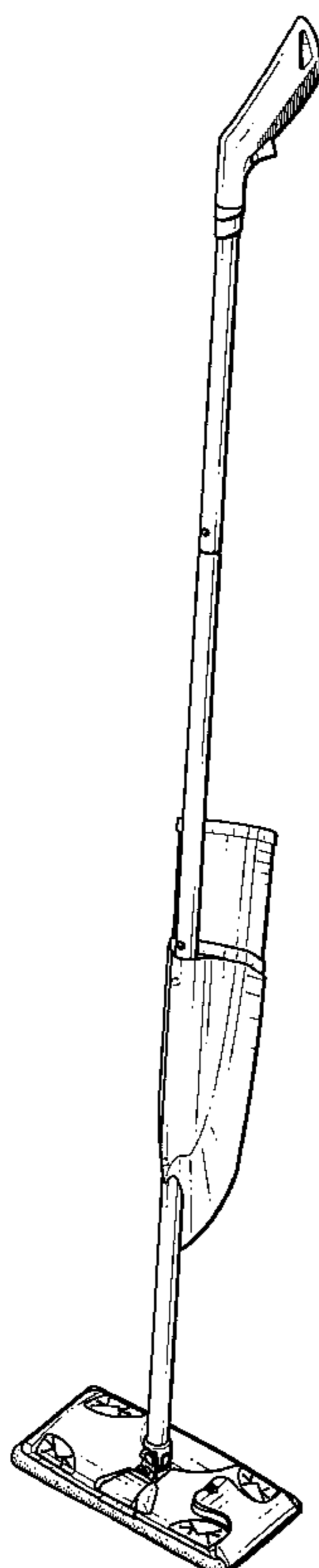


FIG. 1

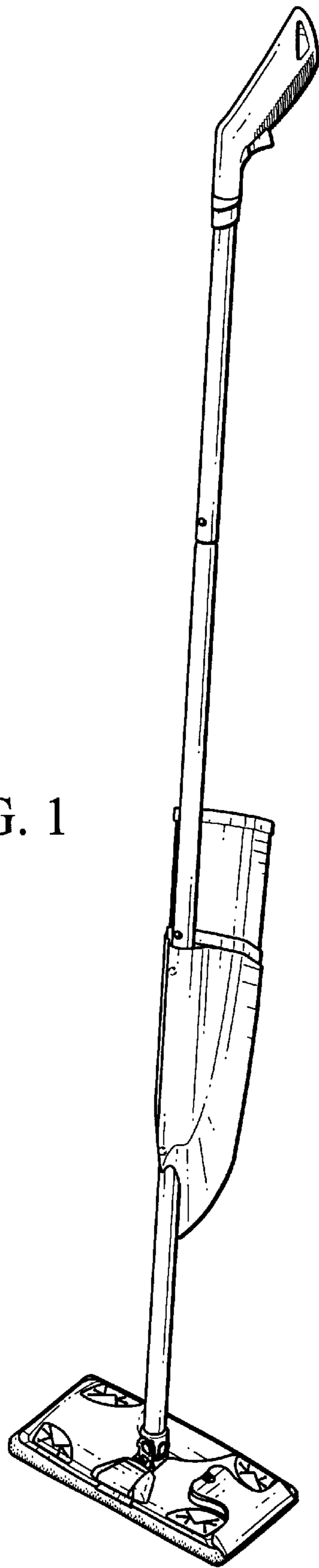
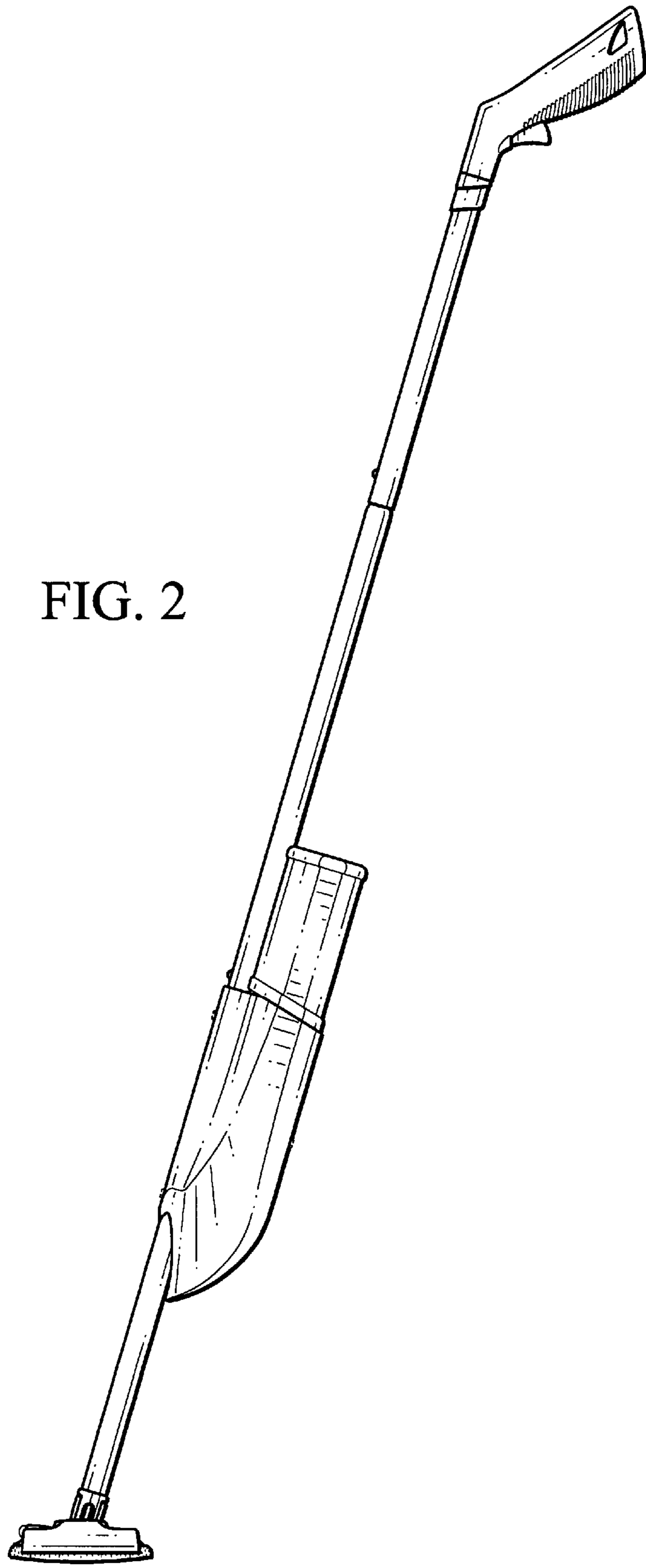


FIG. 2



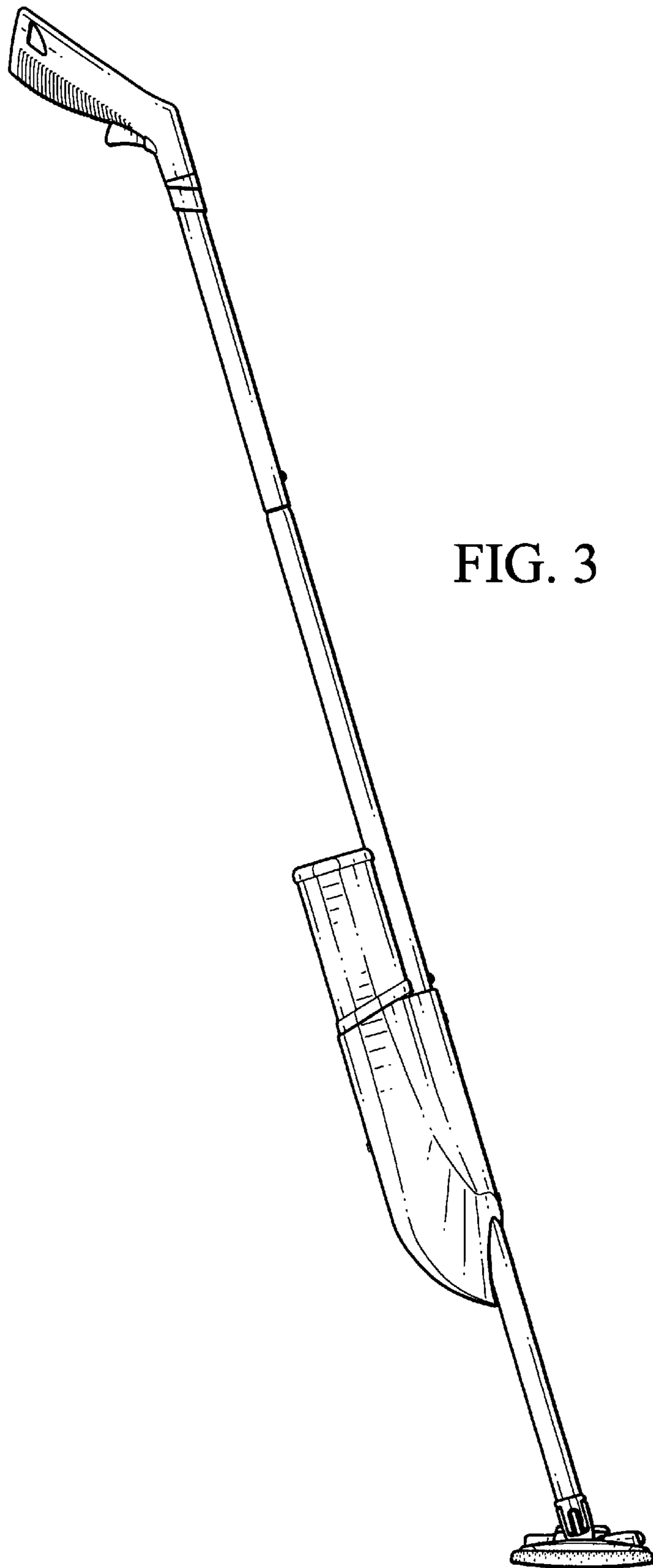


FIG. 3

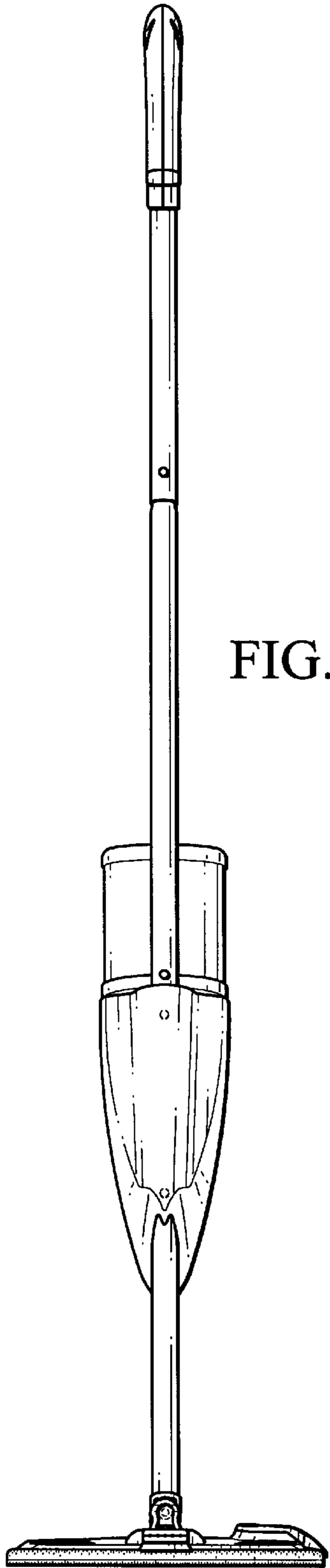


FIG. 4

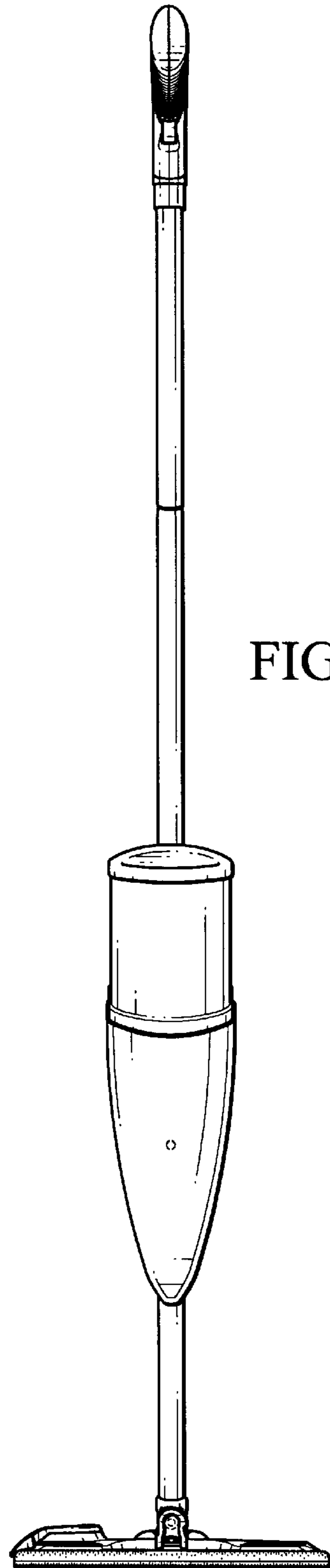


FIG. 5

FIG. 6

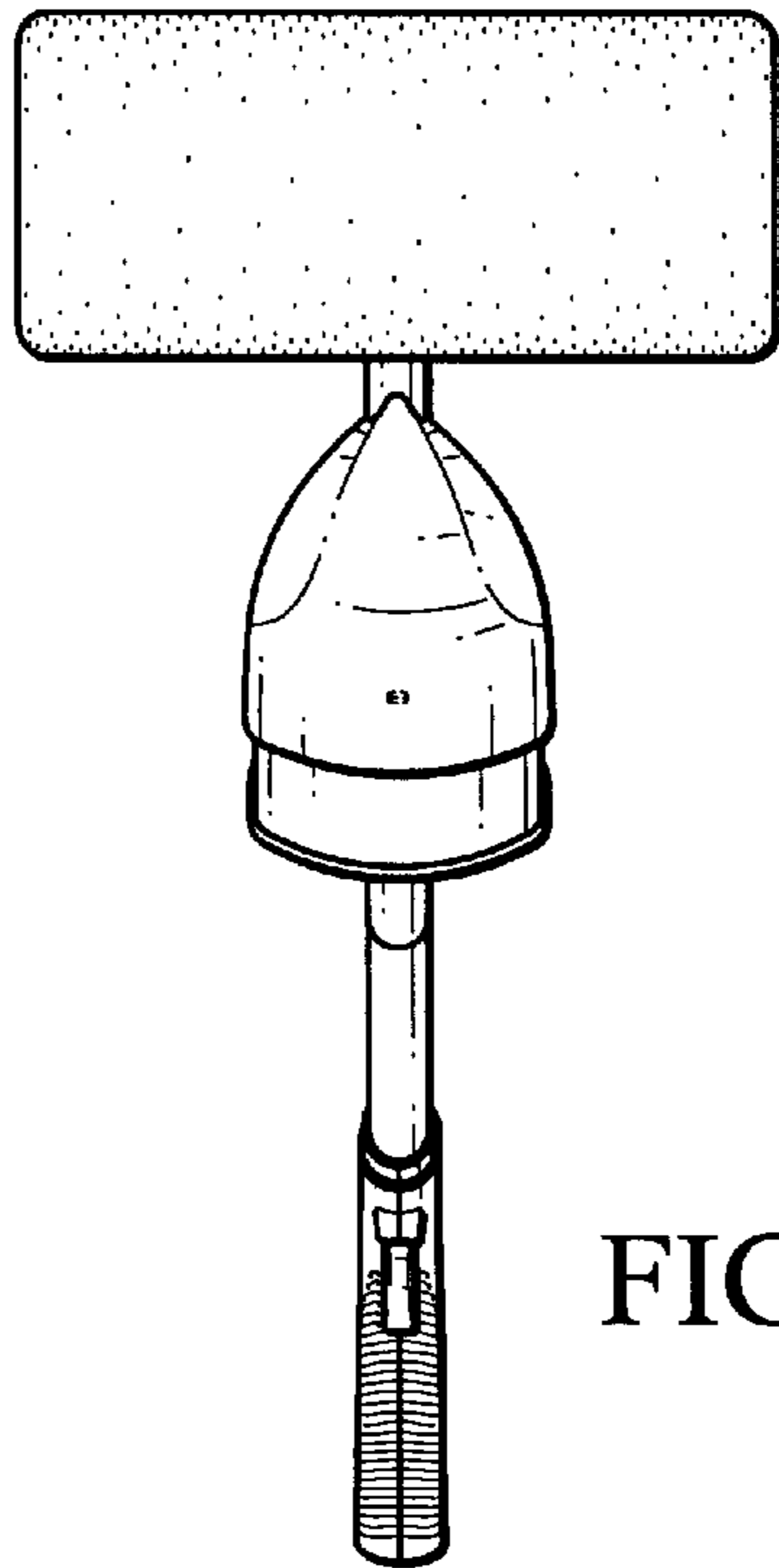
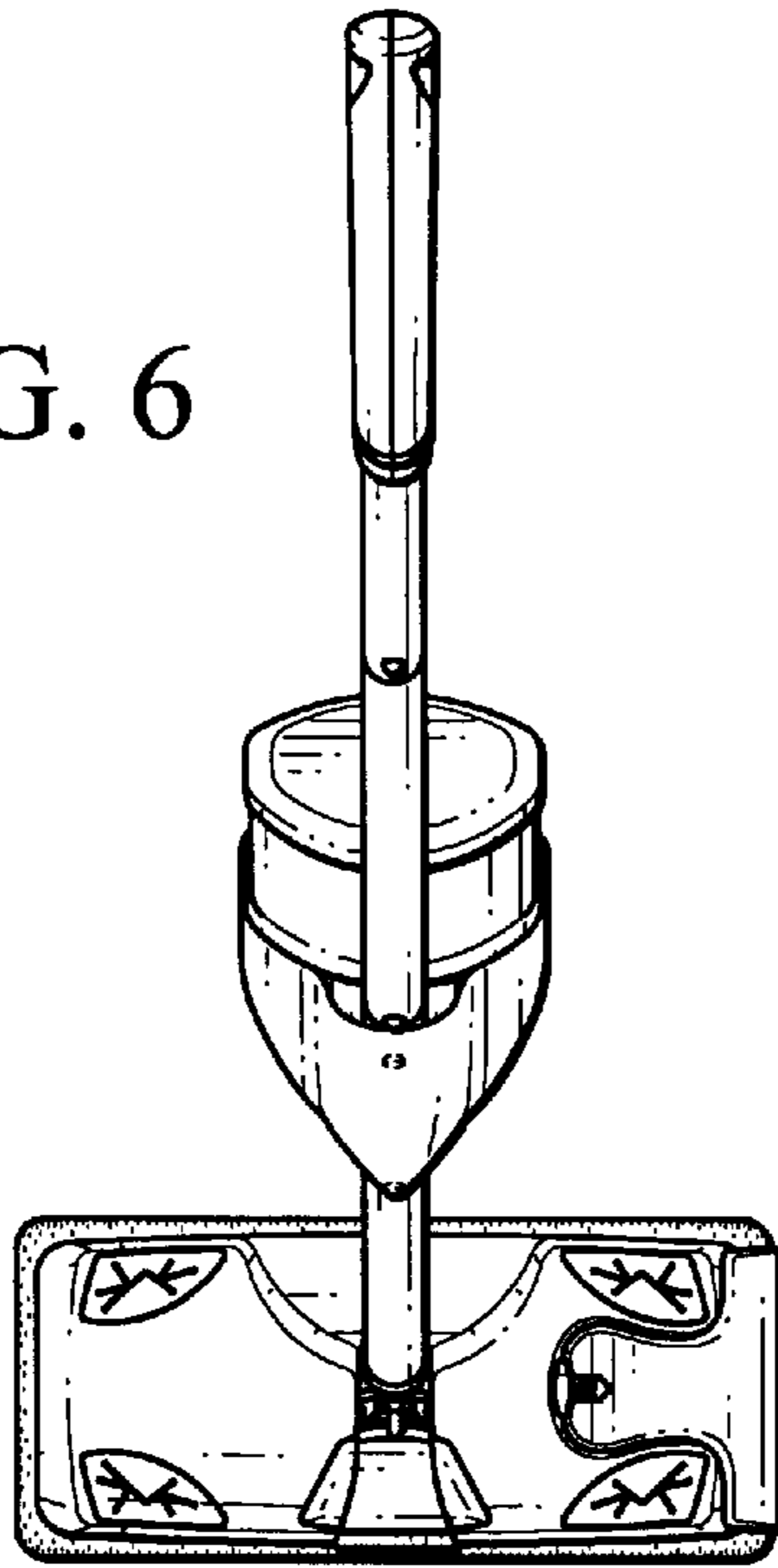


FIG. 7