



US00D487172S

(12) **United States Design Patent**  
**Oh et al.**

(10) **Patent No.:** **US D487,172 S**

(45) **Date of Patent:** **\*\* Feb. 24, 2004**

(54) **BODY OF VACUUM CLEANER**  
(75) Inventors: **Hyeon Geun Oh**, Seoul (KR); **Hyon Seon Shin**, Gunpo-shi (KR)  
(73) Assignee: **LG Electronics Inc.**, Seoul (KR)  
(\*\*) Term: **14 Years**

D375,820 S \* 11/1996 Piccaluga et al. .... D32/22  
D417,533 S \* 12/1999 Burchard et al. .... D32/22  
D435,945 S \* 1/2001 Ikeno et al. .... D32/22  
D439,379 S \* 3/2001 Gammack et al. .... D32/22  
D462,813 S \* 9/2002 Nakano et al. .... D32/22  
D475,820 S \* 6/2003 Dyson et al. .... D32/22

\* cited by examiner

(21) Appl. No.: **29/169,619**  
(22) Filed: **Oct. 24, 2002**  
(30) **Foreign Application Priority Data**

*Primary Examiner*—Ruth McInroy  
(74) *Attorney, Agent, or Firm*—Birch, Stewart, Kolasch & Birch, LLP

May 21, 2002 (KR) ..... 2002-14753

(57) **CLAIM**

We claim the ornamental design for a body of vacuum cleaner, as shown and described.

(51) **LOC (7) Cl.** ..... **15-05**  
(52) **U.S. Cl.** ..... **D32/22**  
(58) **Field of Search** ..... D32/21, 22, 31-34, D32/15-16, 38-39; 15/363, 320, 366, 383, 353, 347, 350, 361, 410, 412, 415.1-422.1, 41.1; 55/DIG. 3, 337, 345

**DESCRIPTION**

FIG. 1 is a perspective view of a body of vacuum cleaner showing our new design;  
FIG. 2 is a front view thereof;  
FIG. 3 is a rear view thereof;  
FIG. 4 is a left-side view thereof;  
FIG. 5 is a right-side view thereof;  
FIG. 6 is a top plan view thereof; and,  
FIG. 7 is a bottom plan view thereof.

(56) **References Cited**  
**U.S. PATENT DOCUMENTS**  
4,571,772 A \* 2/1986 Dyson  
D309,203 S \* 7/1990 Goodrich ..... D32/22  
D343,707 S \* 1/1994 Dyson ..... D32/22

**1 Claim, 4 Drawing Sheets**

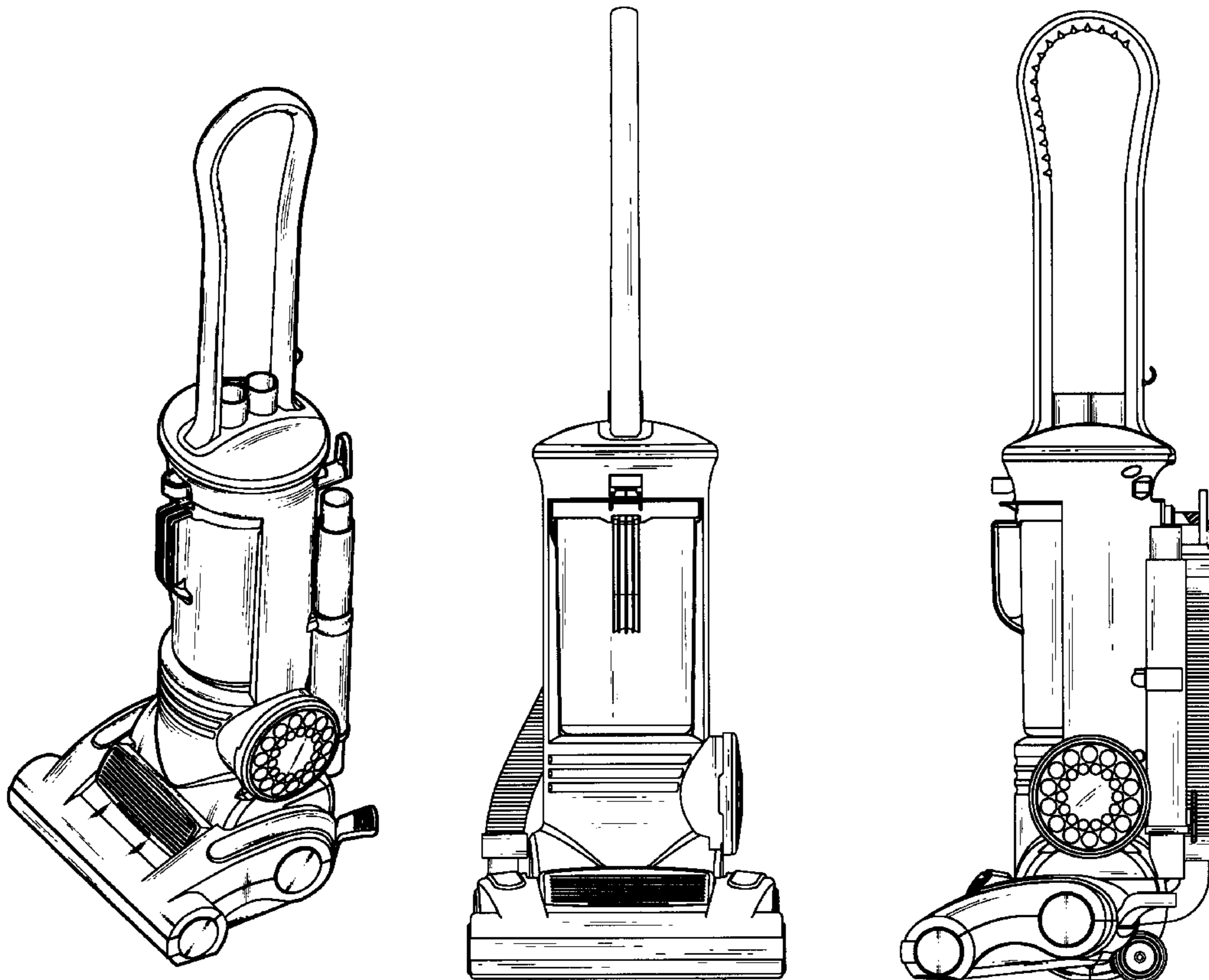


FIG. 1

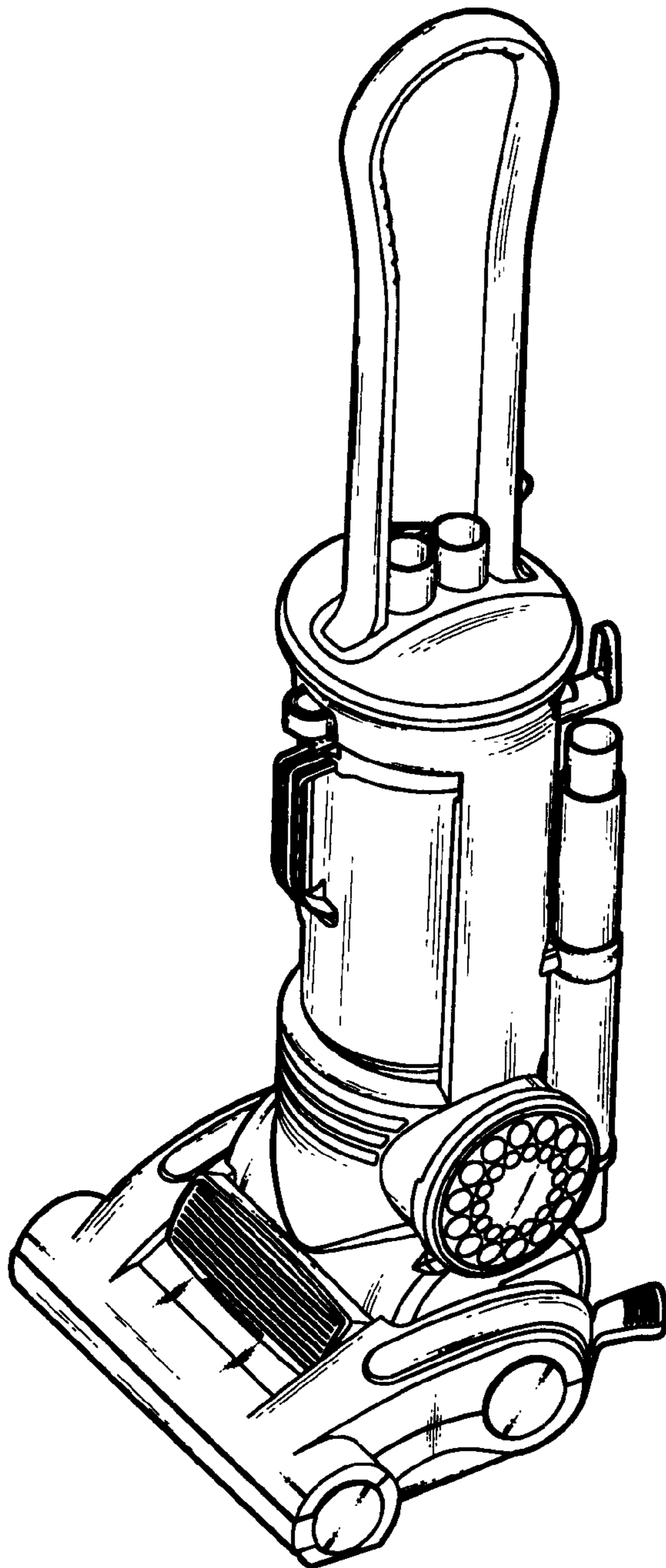


FIG. 2

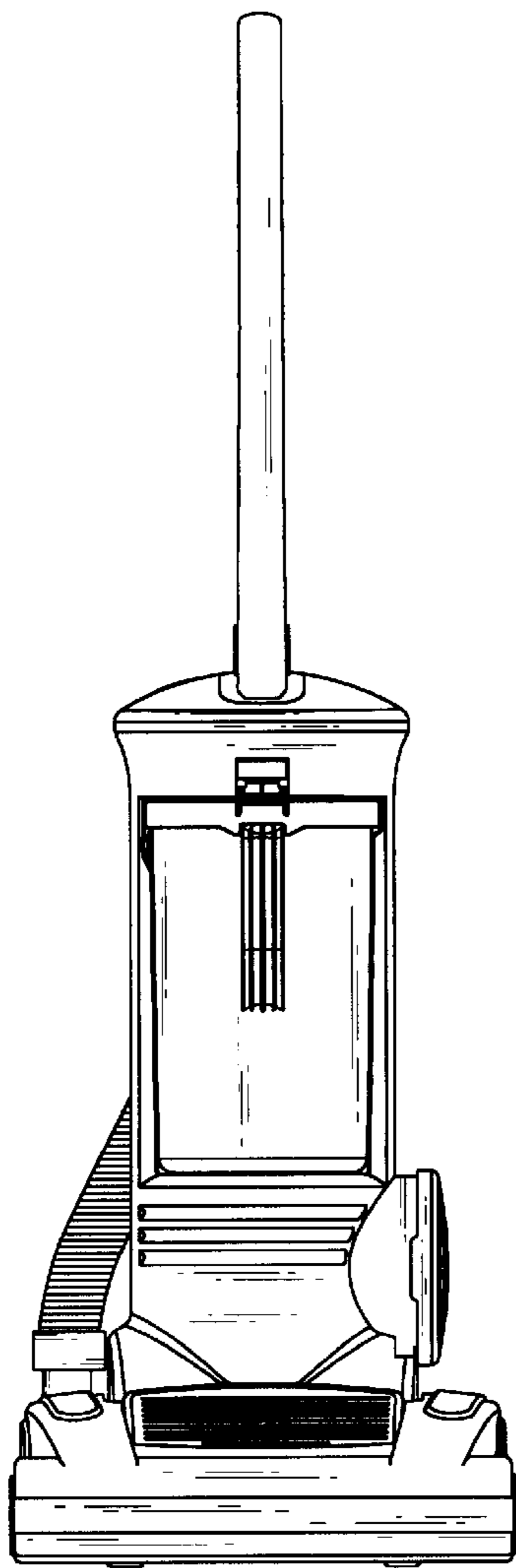


FIG. 3

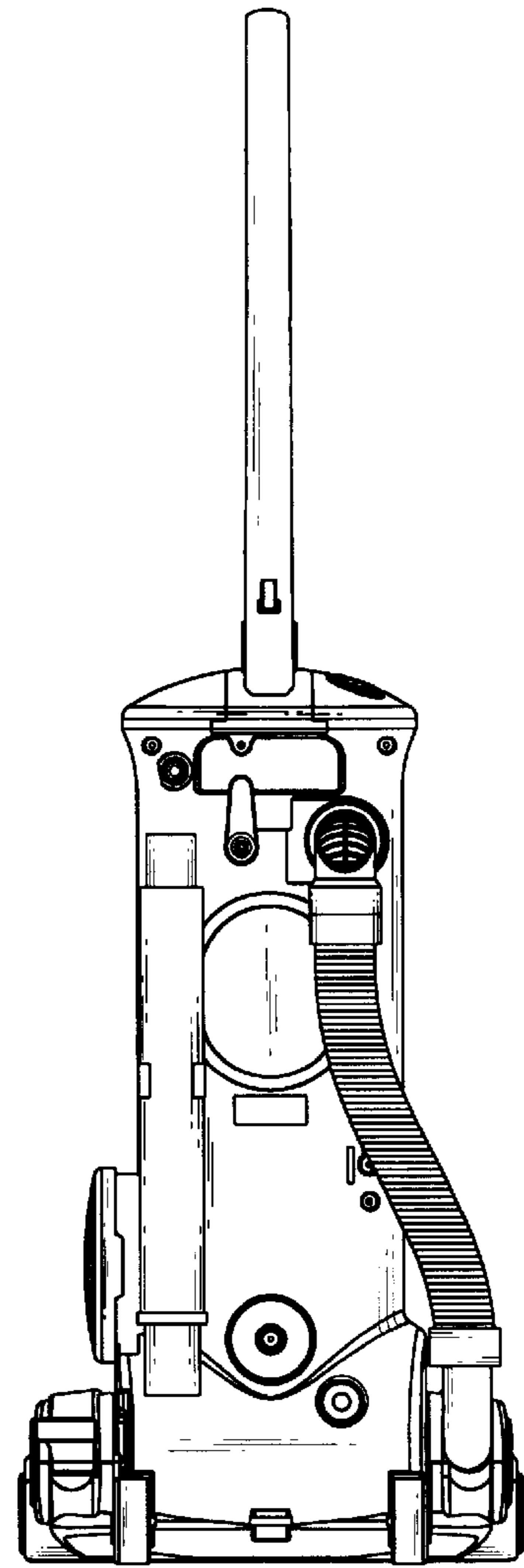


FIG. 4

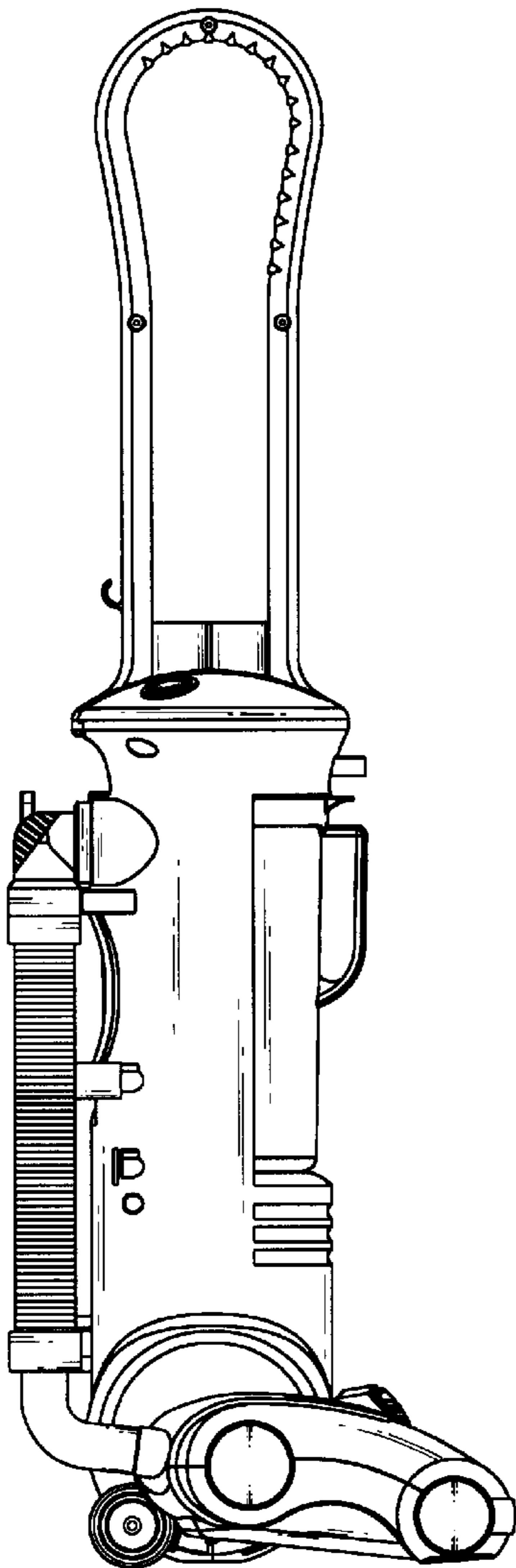


FIG. 5

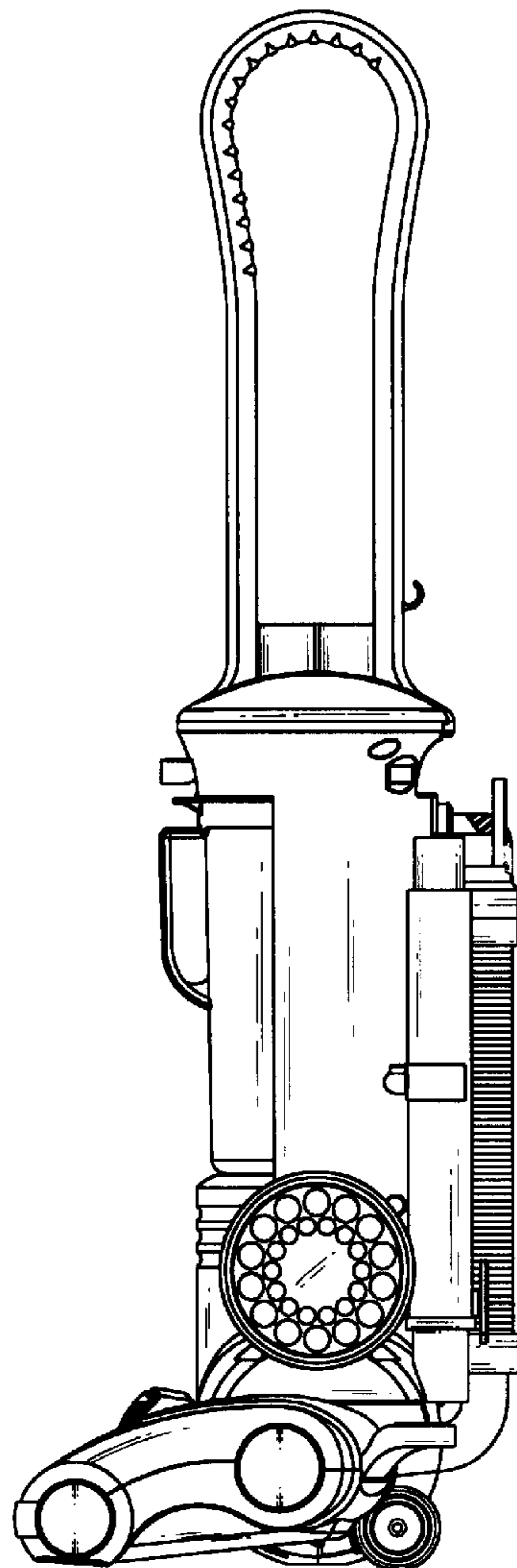


FIG. 6

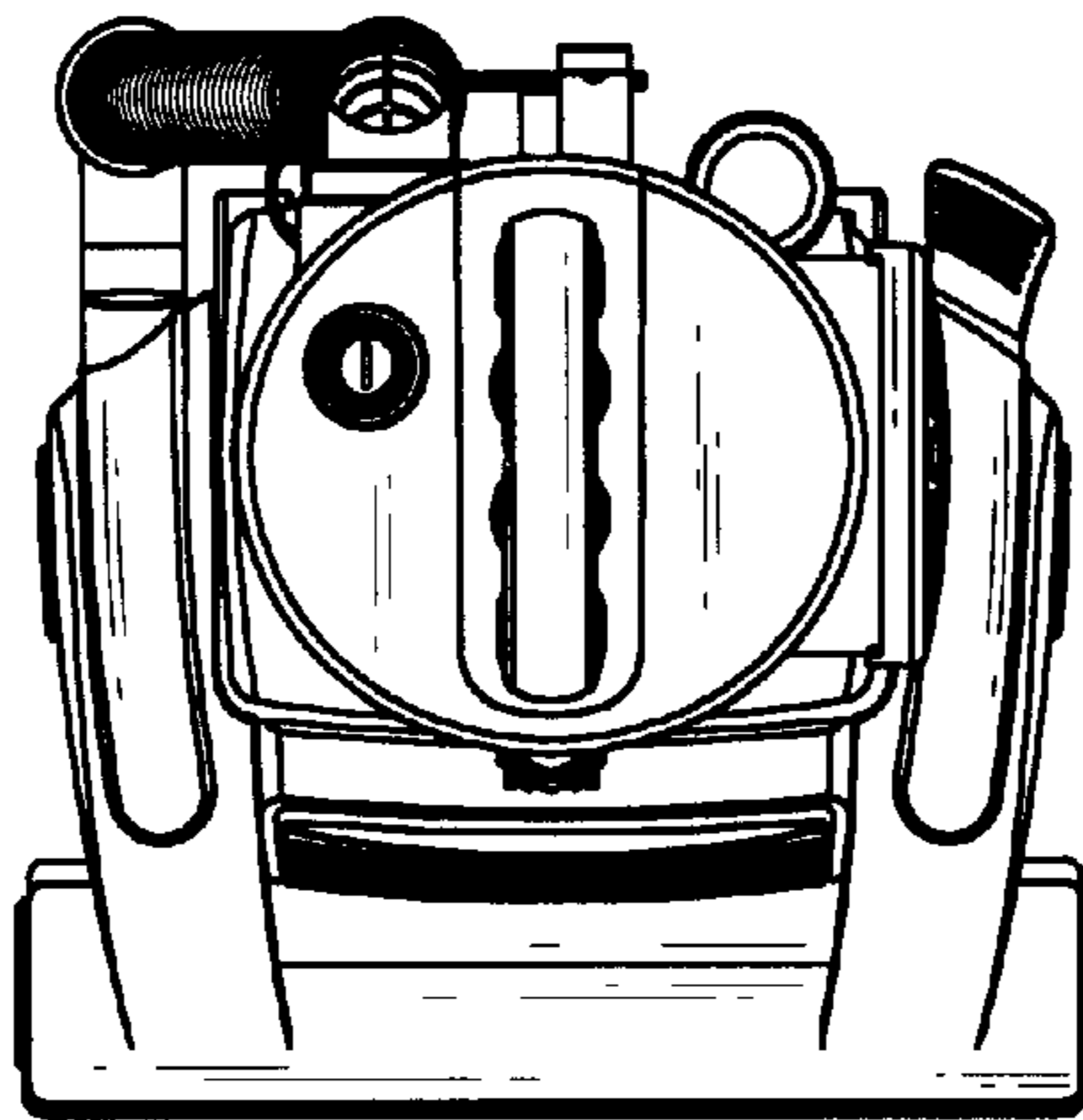


FIG. 7

