



US00D487170S

(12) **United States Design Patent**
Petrucelli

(10) **Patent No.:** **US D487,170 S**

(45) **Date of Patent:** **** Feb. 24, 2004**

(54) **HOLDER FOR RECTANGULAR AND CIRCULAR HAIRSTYLING ACCESSORIES**

(75) Inventor: **Giulio Petrucelli**, Flushing, NY (US)

(73) Assignee: **P.S. Pibbs, Inc.**, Flushing, NY (US)

(**) Term: **14 Years**

(21) Appl. No.: **29/182,370**

(22) Filed: **May 22, 2003**

(51) **LOC (7) Cl.** **28-03**

(52) **U.S. Cl.** **D28/73**

(58) **Field of Search** 211/70.6, 103,
211/69.5; D28/38, 73; 248/117.1-117.7,
176.2; 206/373

(56) **References Cited**

U.S. PATENT DOCUMENTS

| | | | | | | |
|-----------|----|---|---------|-------------------|-------|----------|
| 5,054,615 | A | * | 10/1991 | Stillwagon et al. | | 206/373 |
| 5,232,103 | A | * | 8/1993 | Koenig et al. | | 211/69.5 |
| 5,743,415 | A | * | 4/1998 | Smart | | 211/70.6 |
| 6,209,732 | B1 | * | 4/2001 | Dennis et al. | | 211/70.6 |
| D469,926 | S | * | 2/2003 | Petrucelli | | D28/73 |
| D469,927 | S | * | 2/2003 | Petrucelli | | D28/73 |

* cited by examiner

Primary Examiner—Jennifer Rivard
(74) *Attorney, Agent, or Firm*—Anthony J. Casella; Gerald E. Hespos

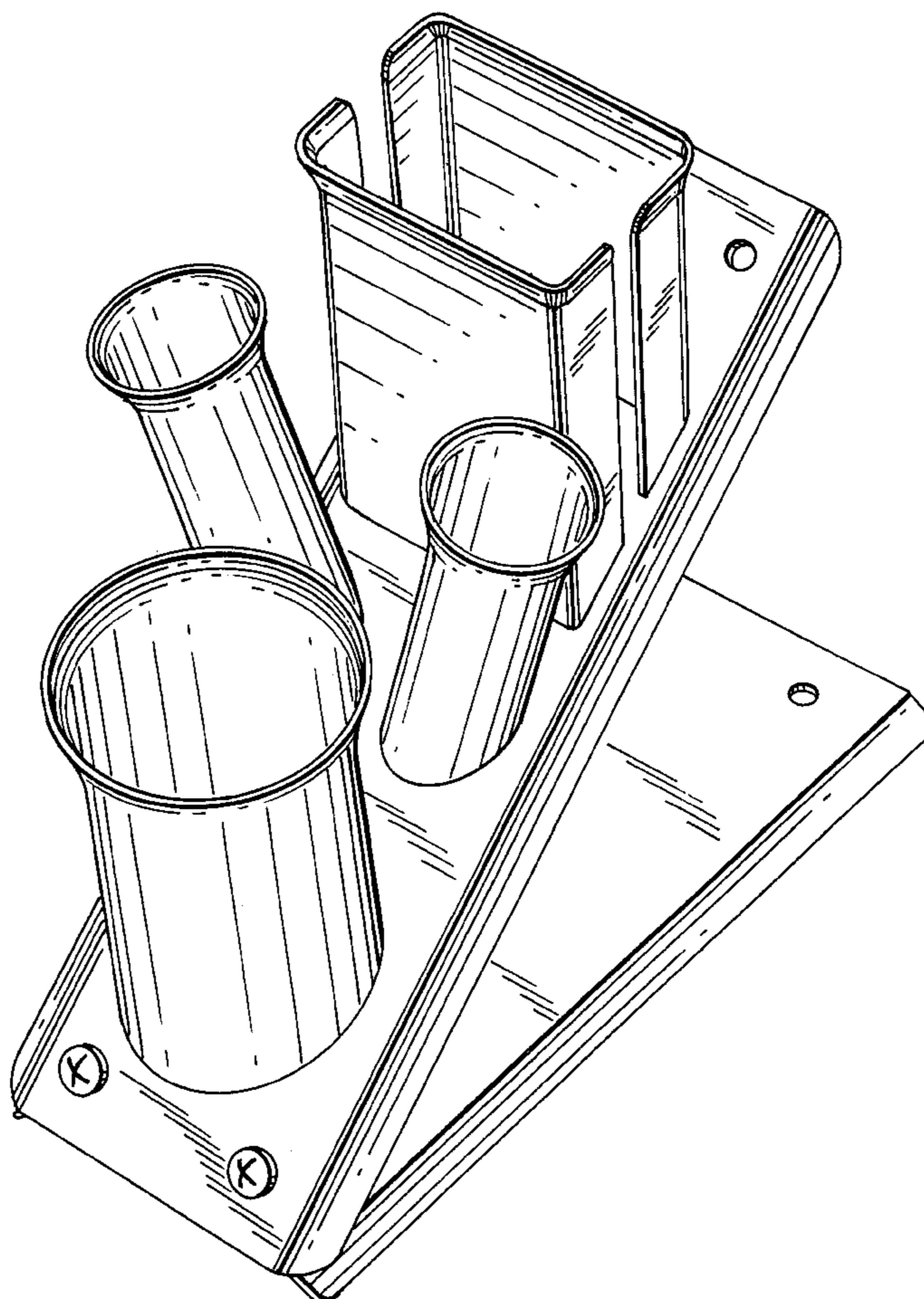
(57) **CLAIM**

The ornamental design for a holder for rectangular and circular hairstyling accessories, as shown and described.

DESCRIPTION

FIG. 1 is a perspective view of a holder for rectangular and circular hairstyling accessories showing my new design; FIG. 2 is a top plan view of the holder for rectangular and circular hairstyling accessories of FIG. 1; FIG. 3 is a front elevational view of the holder for rectangular and circular hairstyling accessories of FIG. 1; FIG. 4 is a side elevational view of the holder for rectangular and circular hairstyling accessories of FIG. 1, the opposite side being a mirror image of the side shown; FIG. 5 is a rear elevational view of the holder for rectangular and circular hairstyling accessories of FIG. 1; and, FIG. 6 is a bottom plan view thereof.

1 Claim, 6 Drawing Sheets



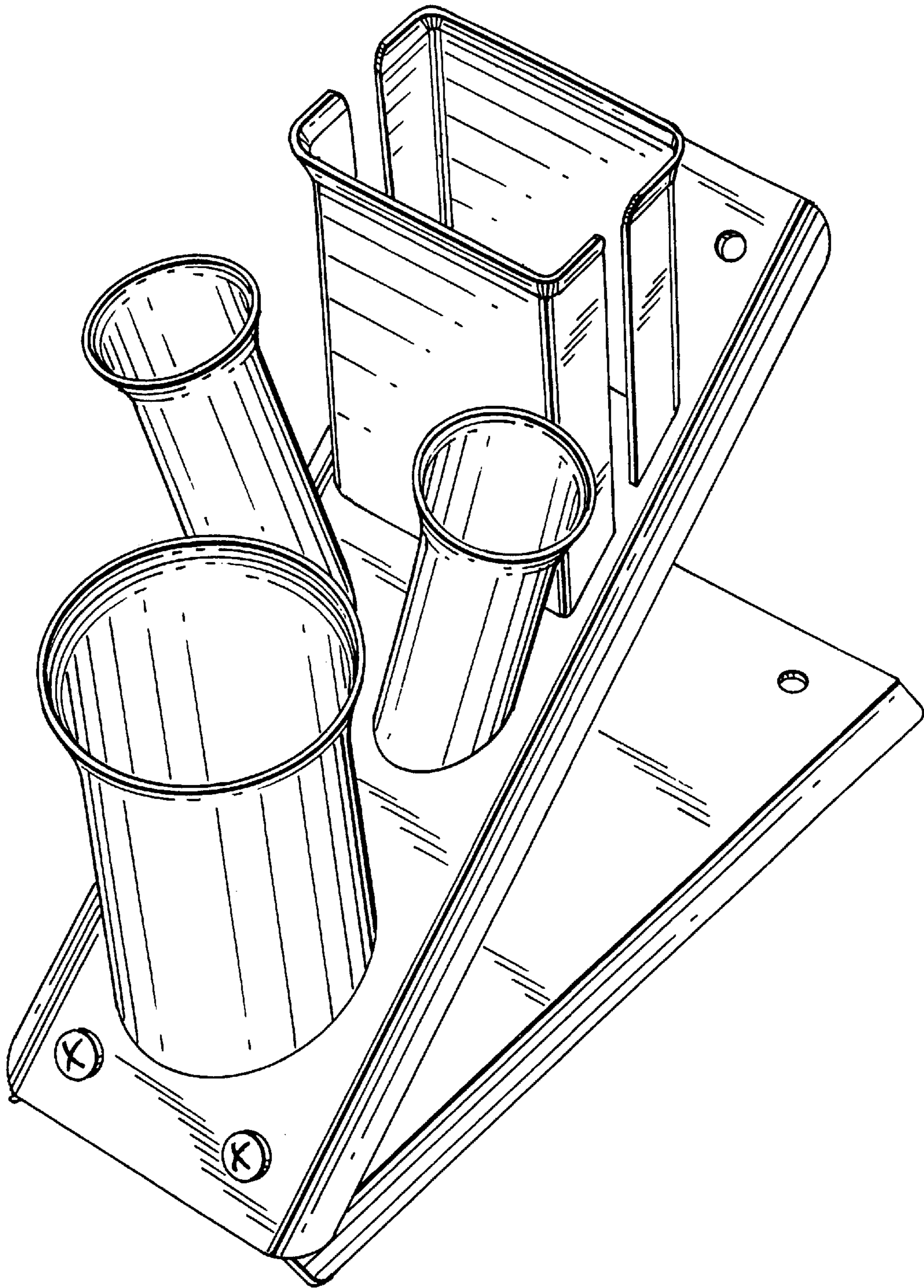


FIG. 1

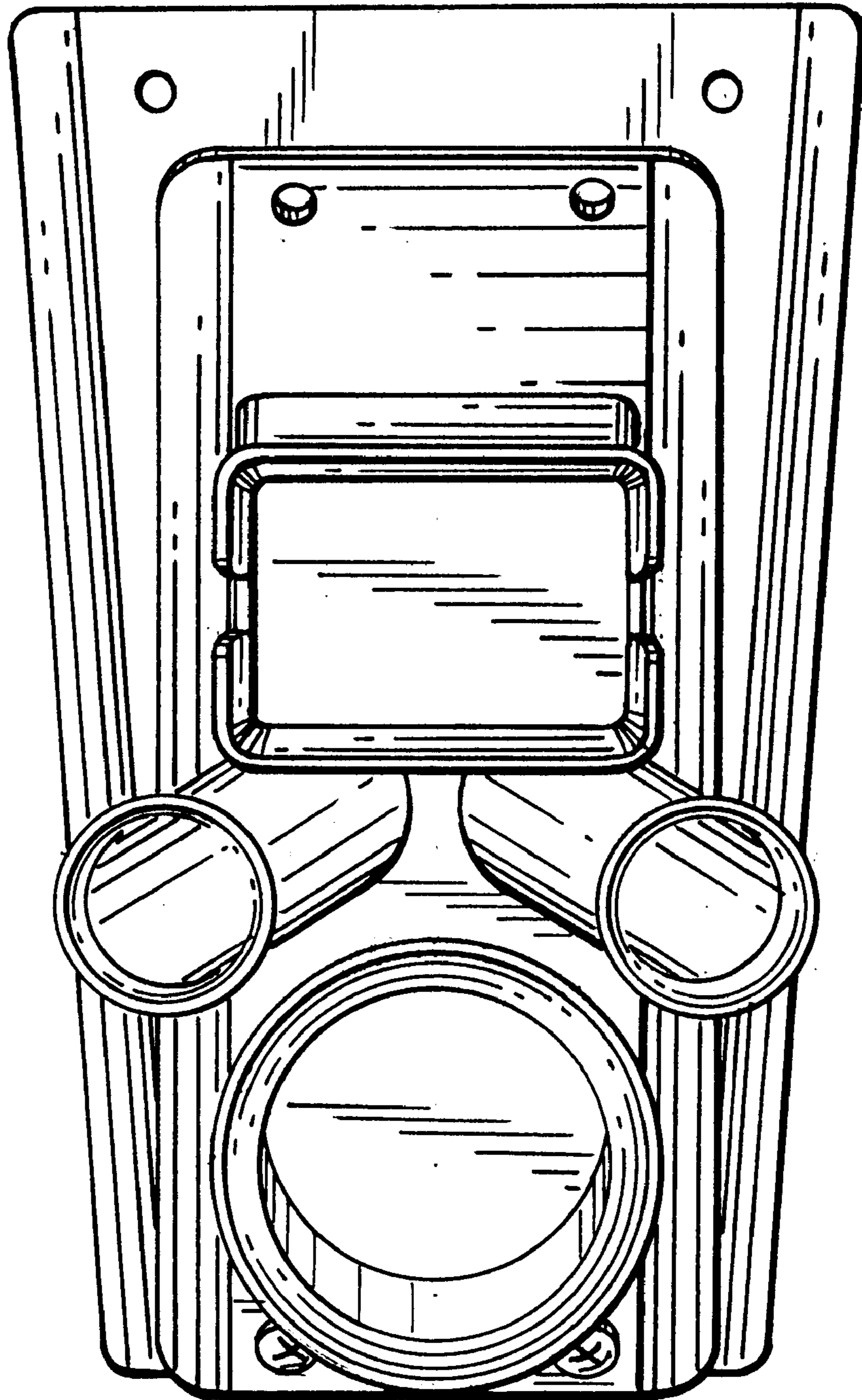


FIG. 2

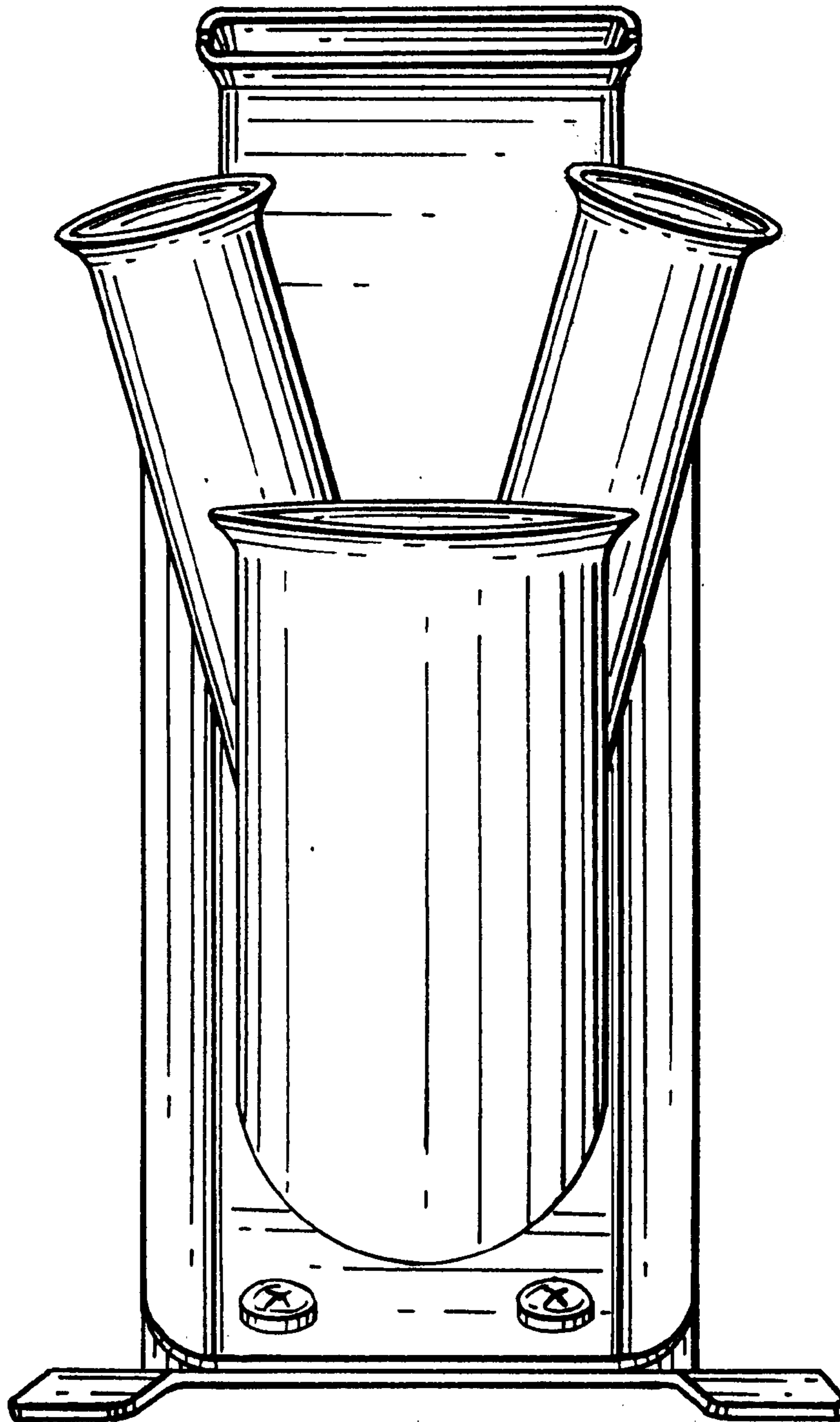


FIG. 3

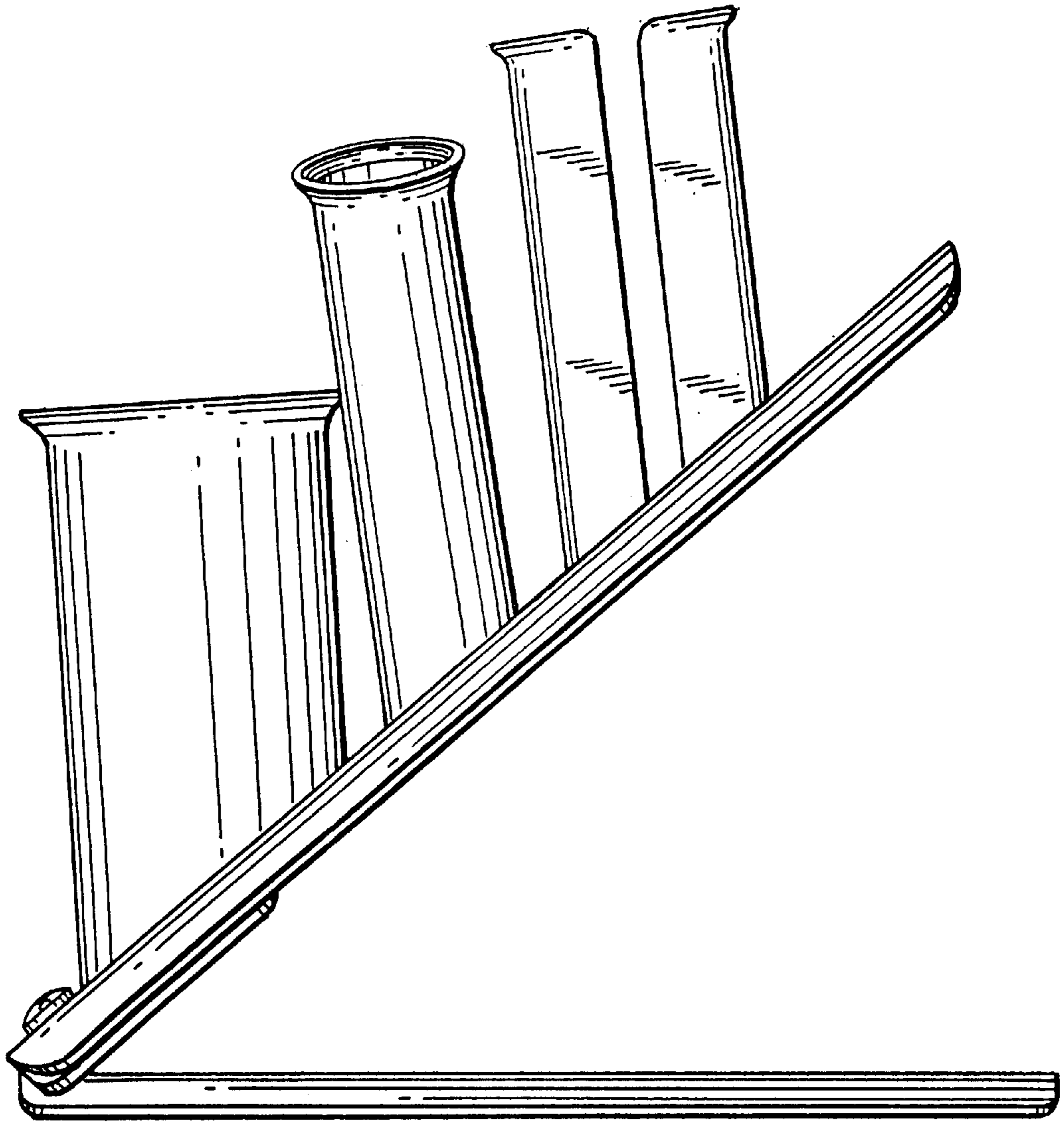


FIG. 4

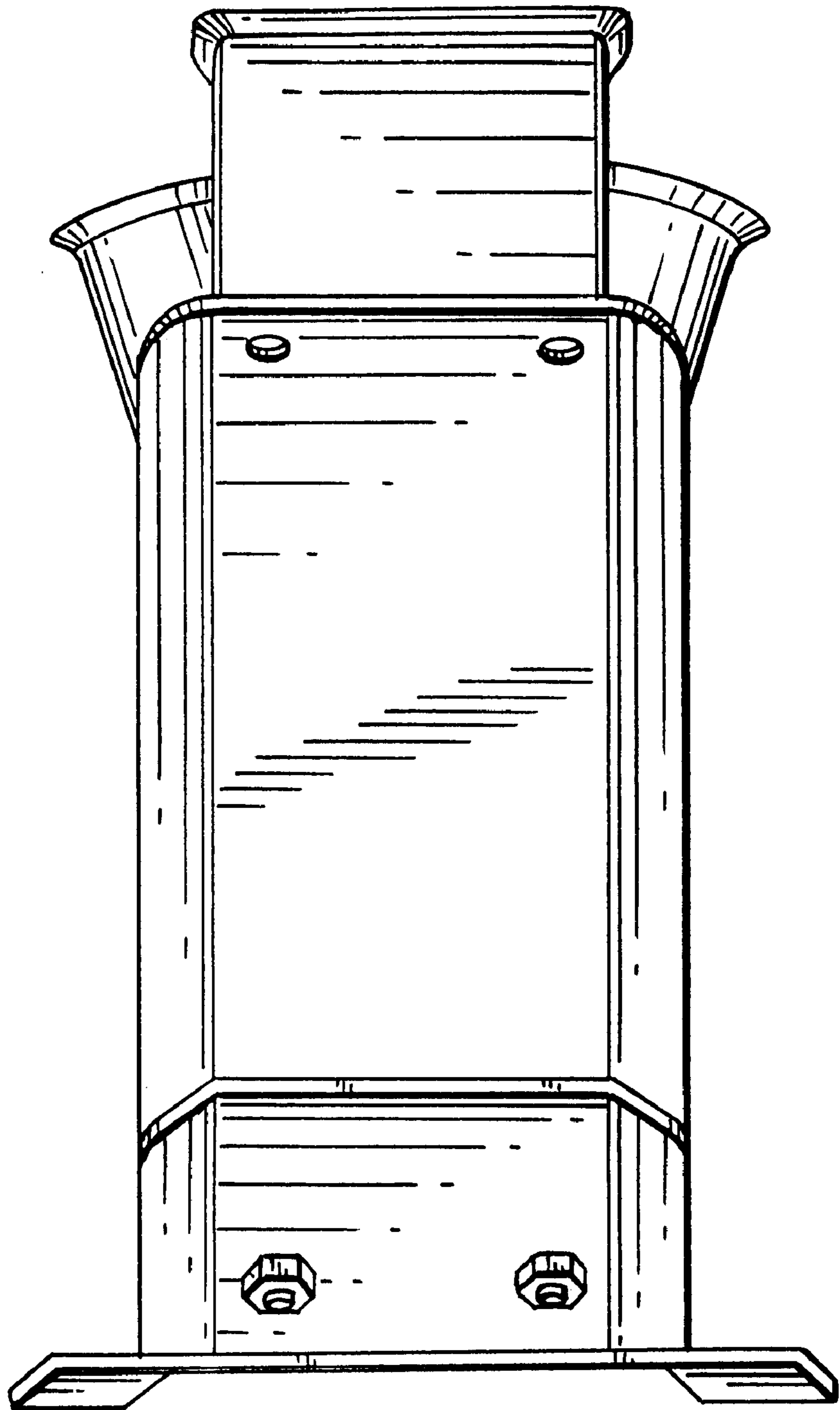


FIG. 5

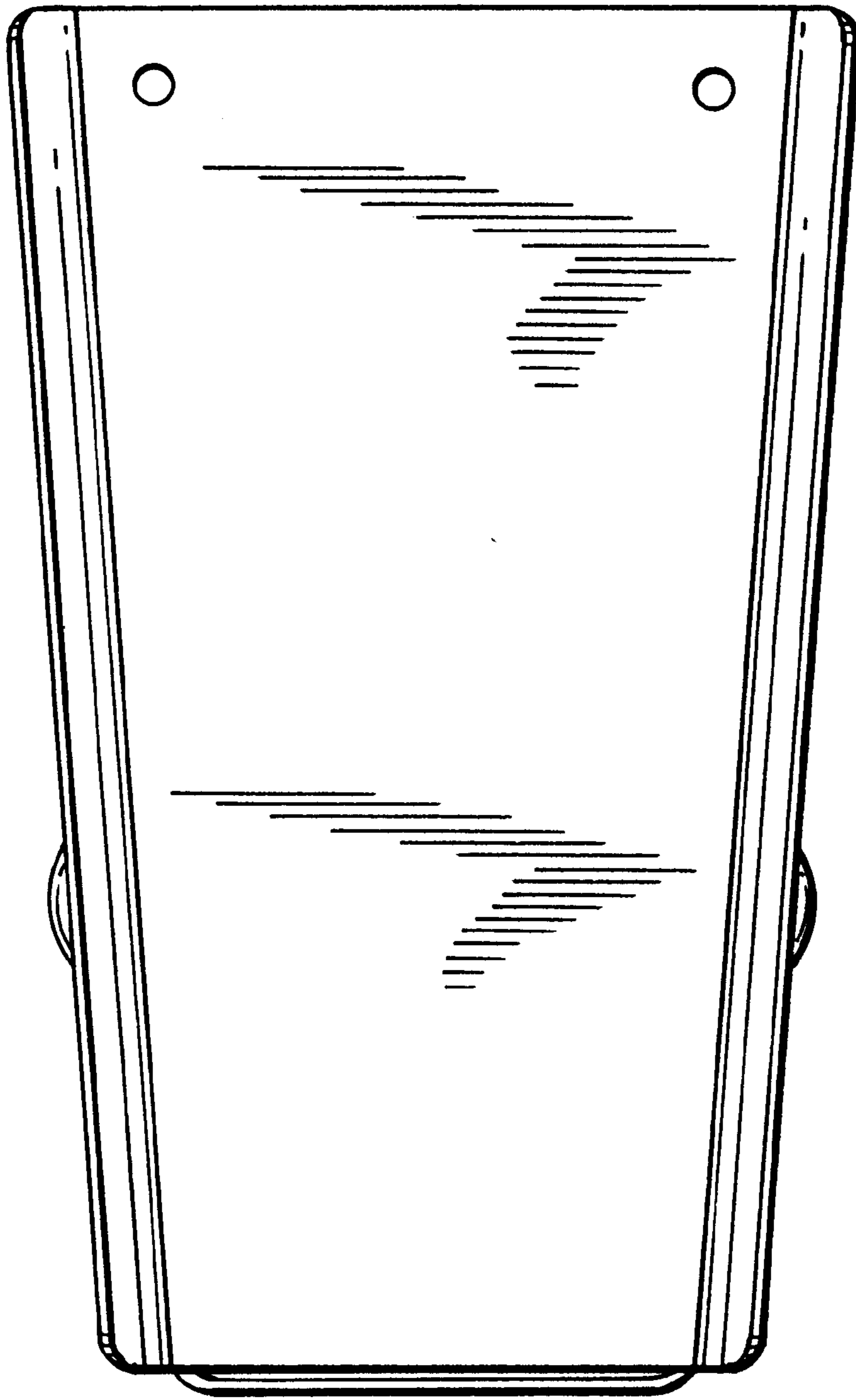


FIG. 6