



US00D487167S

(12) **United States Design Patent**
Shaw

(10) **Patent No.:** **US D487,167 S**

(45) **Date of Patent:** **** Feb. 24, 2004**

(54) **COMBINED RAZOR HANDLE AND CRADLE**

(75) Inventor: **Dennis James Shaw**, Taylors, SC (US)

(73) Assignee: **R&D Shaw Co., Inc.**, Taylors, SC (US)

(**) Term: **14 Years**

(21) Appl. No.: **29/156,674**

(22) Filed: **Mar. 5, 2002**

(51) **LOC (7) Cl.** **28-03**

(52) **U.S. Cl.** **D28/48; D28/73**

(58) **Field of Search** D28/44-48, 73;
D6/526; D9/337, 342; 30/32, 34.05, 41,
47-51, 526-541; 206/208, 228, 349, 351-360

(56) **References Cited**

U.S. PATENT DOCUMENTS

1,135,362 A *	4/1915	Craven	30/62
D217,264 S *	4/1970	Armstrong	D6/526
3,735,860 A *	5/1973	Nissen et al.	206/349
3,815,227 A *	6/1974	Hood	30/64
4,044,463 A *	8/1977	Tietjens	30/34.2
4,615,436 A *	10/1986	Hastie	208/208
D304,868 S *	11/1989	Spencer	D28/73
D335,599 S	5/1993	Novak	
5,319,852 A	6/1994	Metzger	
D404,526 S *	1/1999	Motta et al.	D28/49
D426,676 S *	6/2000	Bushman	D28/73
D446,883 S *	8/2001	Christianson	D28/44
D453,396 S *	2/2002	Grange	D28/46

FOREIGN PATENT DOCUMENTS

WO DM/027322 * 9/1993

* cited by examiner

Primary Examiner—Philip S. Hyder

Assistant Examiner—C Tuttle

(74) *Attorney, Agent, or Firm*—Robert R. Reed

(57) **CLAIM**

The ornamental design for a combined razor handle and cradle, as shown and described.

DESCRIPTION

FIG. 1 is a perspective view of my new design for a “combined razor handle and cradle”;

FIG. 2 is a front elevation view of the razor handle and cradle of FIG. 1;

FIG. 3 is a side elevation view of the razor handle and cradle of FIG. 1, the opposite side elevation view being a mirror image of the side shown;

FIG. 4 is a rear elevation view of the razor handle and cradle of FIG. 1;

FIG. 5 is a bottom view of the razor handle and cradle of FIG. 1;

FIG. 6 is a top plan view of the razor handle and cradle of FIG. 1; and,

FIG. 7 is an exploded side elevation view of the design.

The broken line disclosures of a planar supporting surface and a razor component are for illustrating environmental storage of the razor component within the razor handle of my new design and environmental support for the cradle of my new design, and form no part of the claimed design.

1 Claim, 4 Drawing Sheets

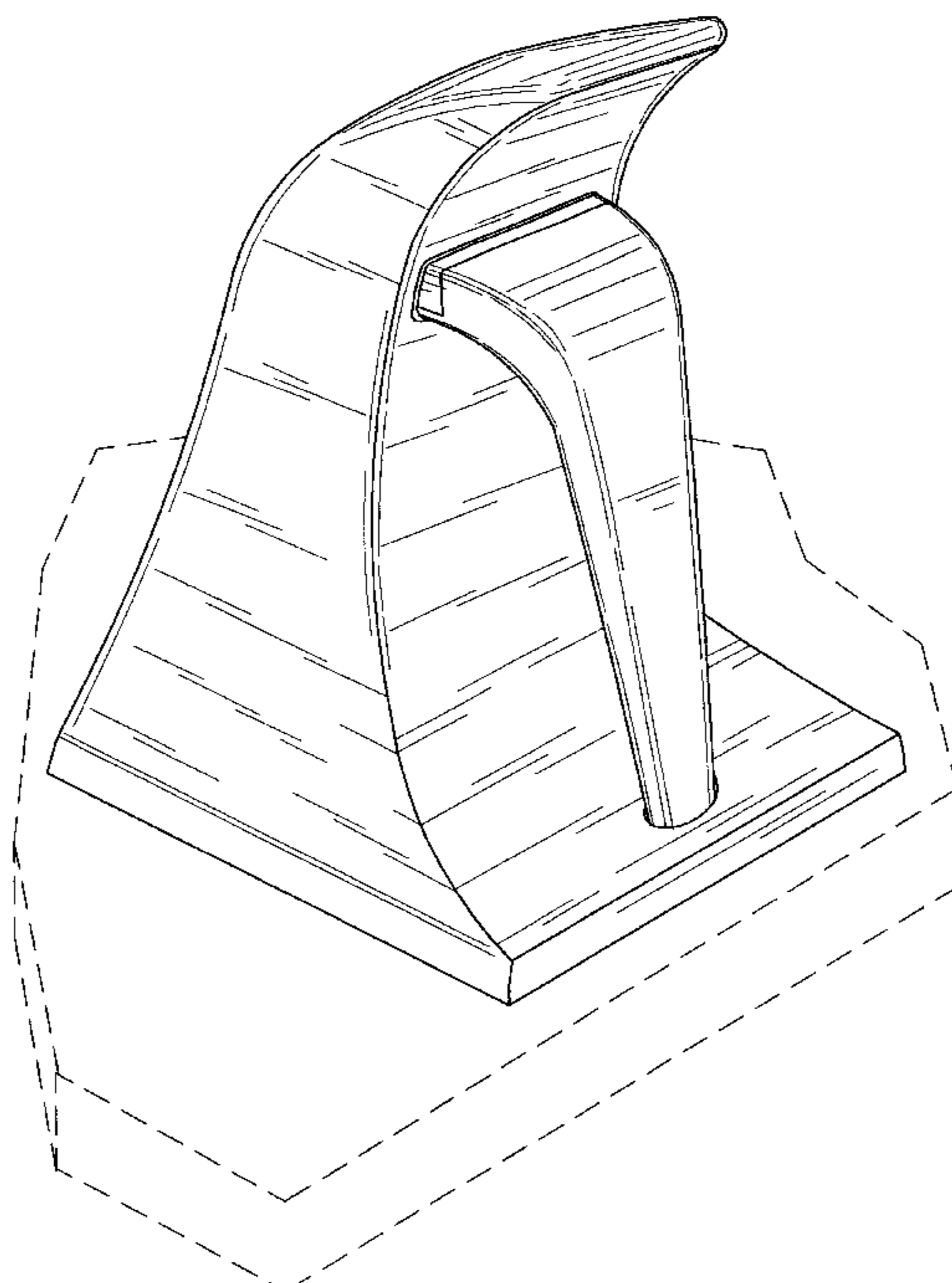


Fig. 1

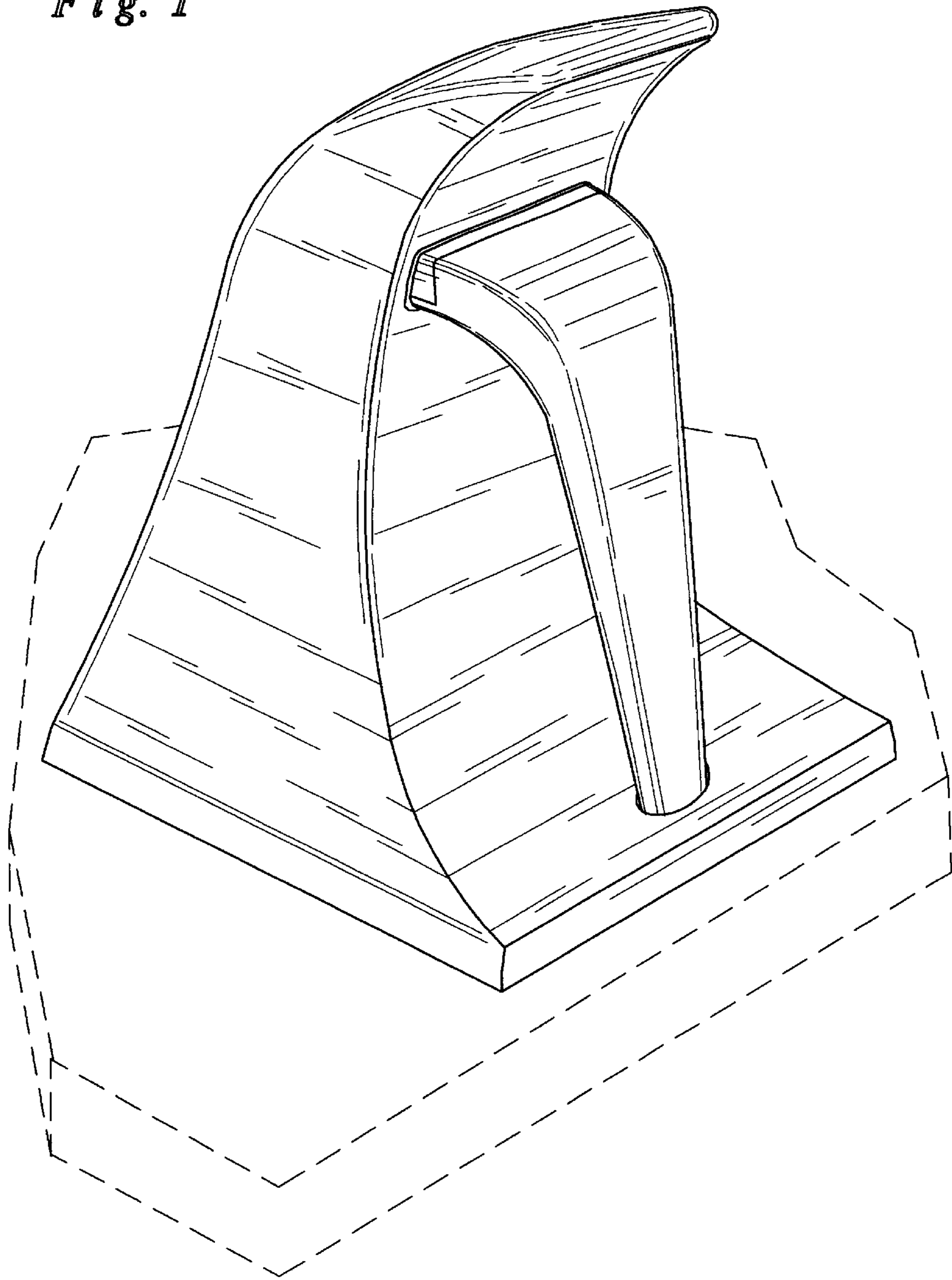


Fig. 2

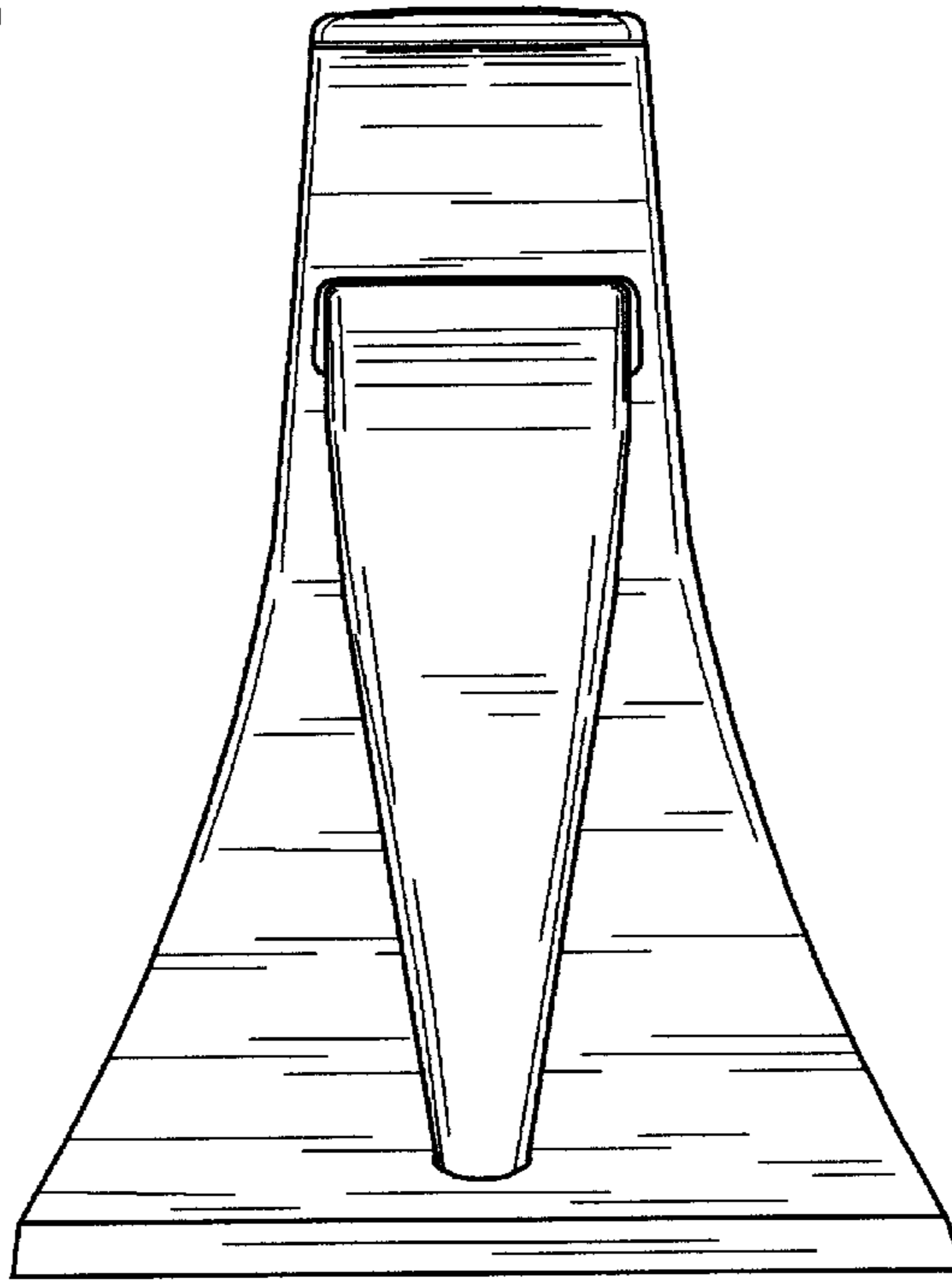


Fig. 3

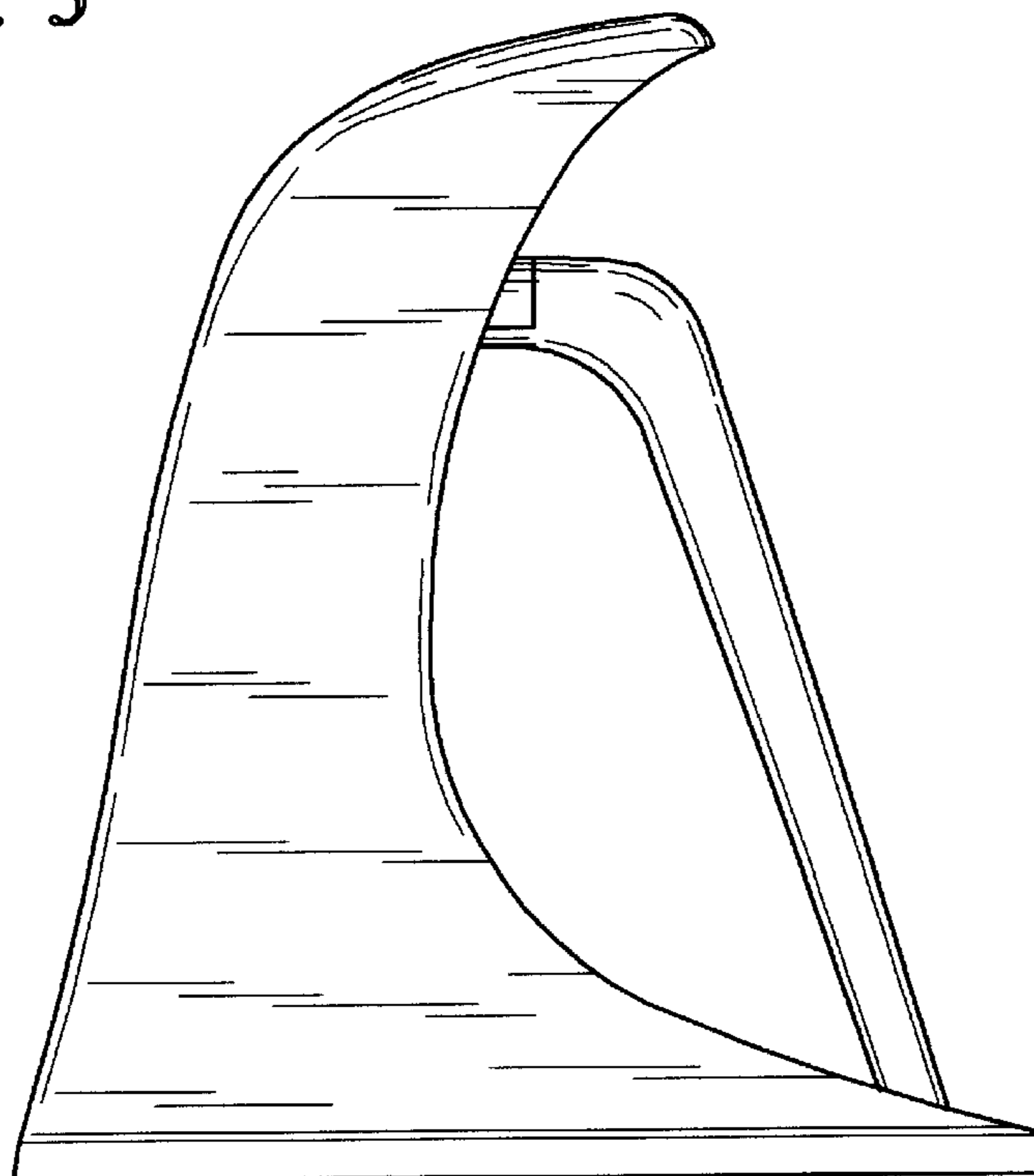


Fig. 4

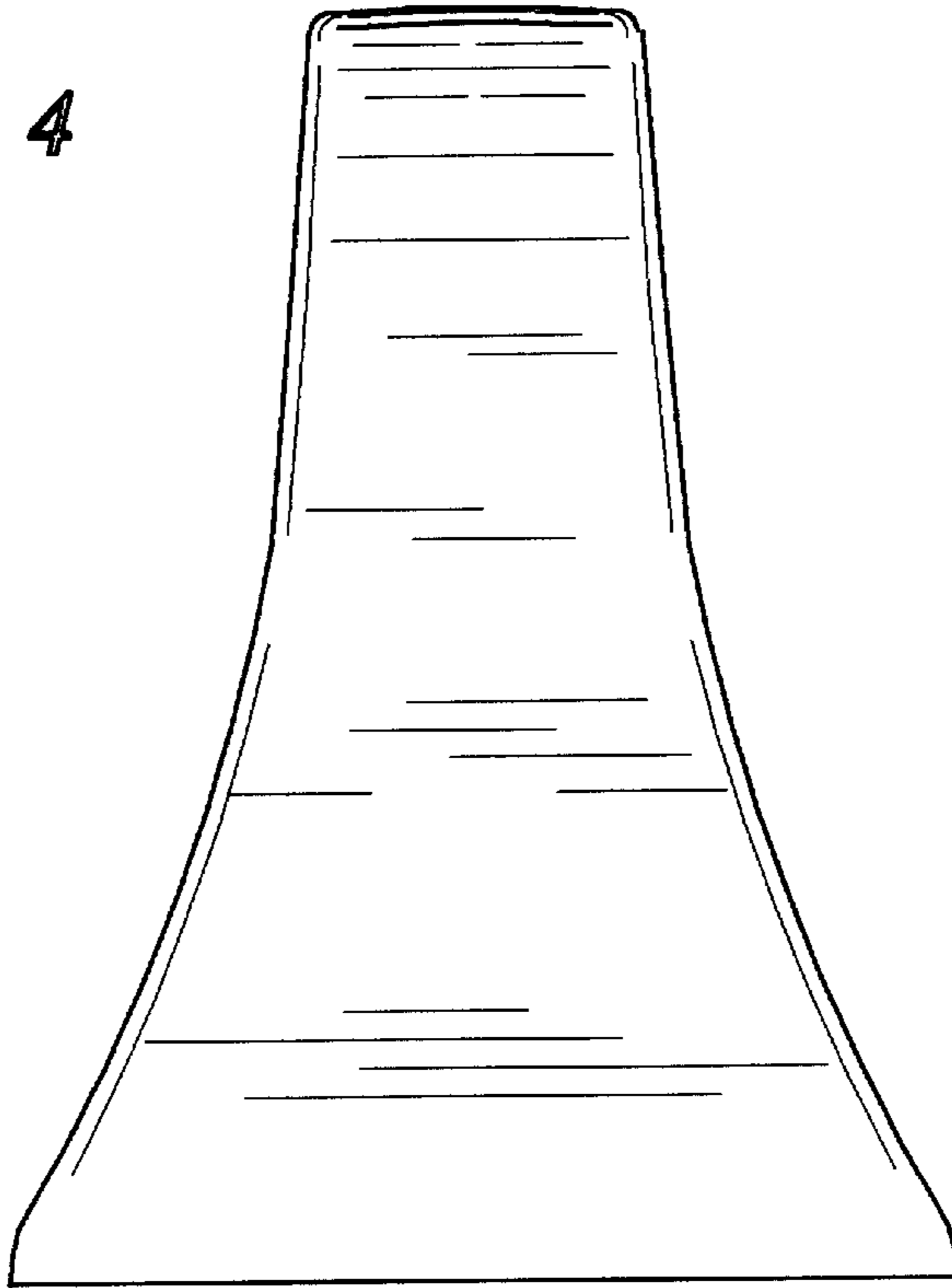
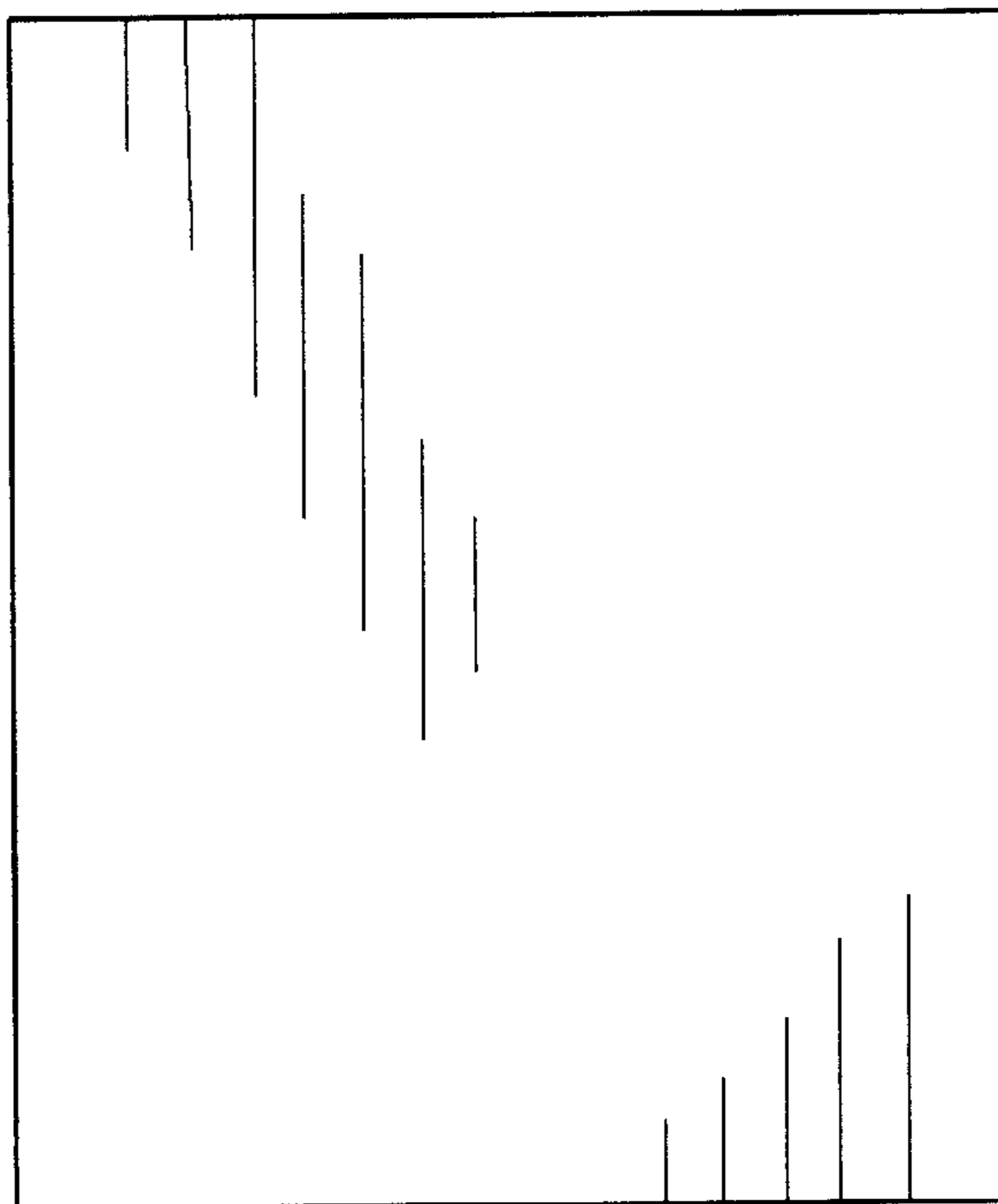


Fig. 5



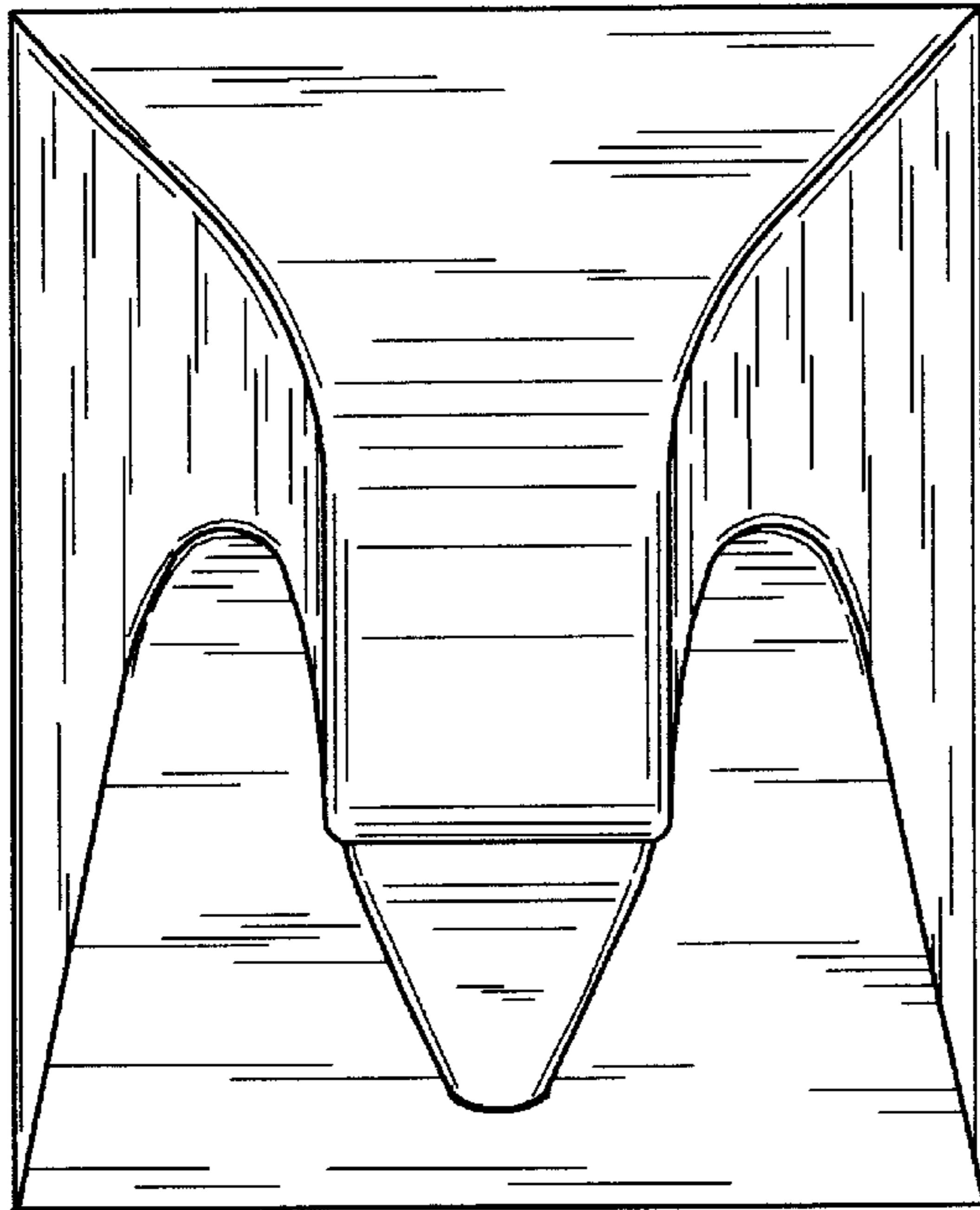


Fig. 6

Fig. 7

