



US00D487166S

(12) **United States Design Patent**  
**Ivey**

(10) **Patent No.:** **US D487,166 S**

(45) **Date of Patent:** **\*\* Feb. 24, 2004**

(54) **FACE GUARD**

D377,405 S \* 1/1997 Morell ..... D29/108  
D404,847 S \* 1/1999 Varney ..... D29/108

(76) **Inventor:** **Sussan P Ivey**, 14414 Dulcimer,  
Orlando, FL (US) 32837

\* cited by examiner

(\*\*) **Term:** **14 Years**

*Primary Examiner*—Jennifer Rivard

(21) **Appl. No.:** **29/157,896**

(57) **CLAIM**

(22) **Filed:** **Jun. 3, 2002**

The ornamental design for a face guard, as shown and described.

(51) **LOC (7) Cl.** ..... **28-03**

**DESCRIPTION**

(52) **U.S. Cl.** ..... **D28/9**

(58) **Field of Search** ..... D28/9; D29/108;  
132/212, 319; 2/9, 173, 174, 423, 424

FIG. 1 is a front view of a face guard showing my new design;

FIG. 2 is a left view thereof;

FIG. 3 is a right view thereof;

FIG. 4 is a top view thereof; and,

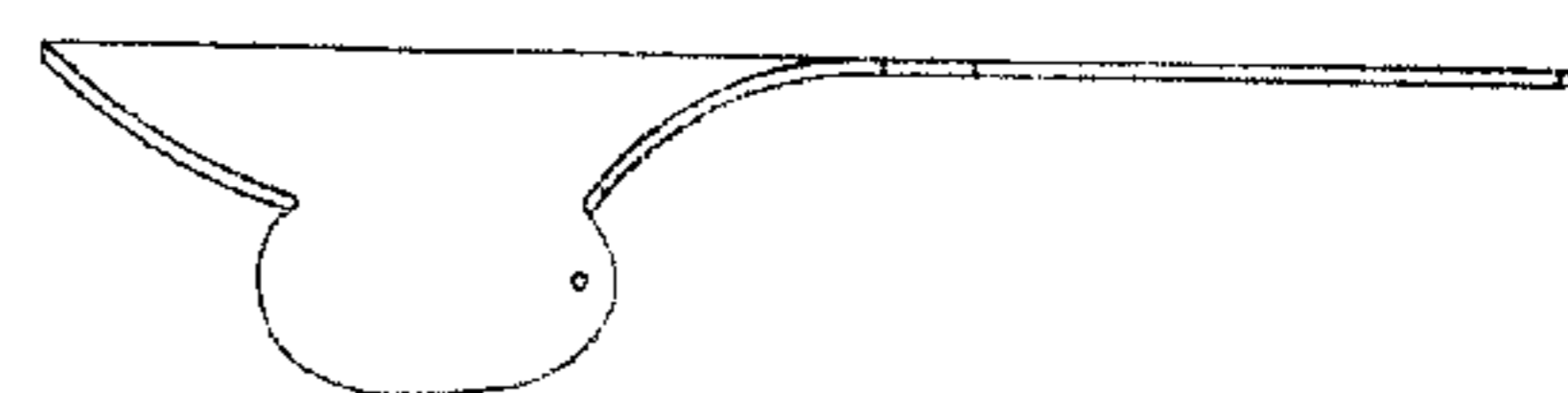
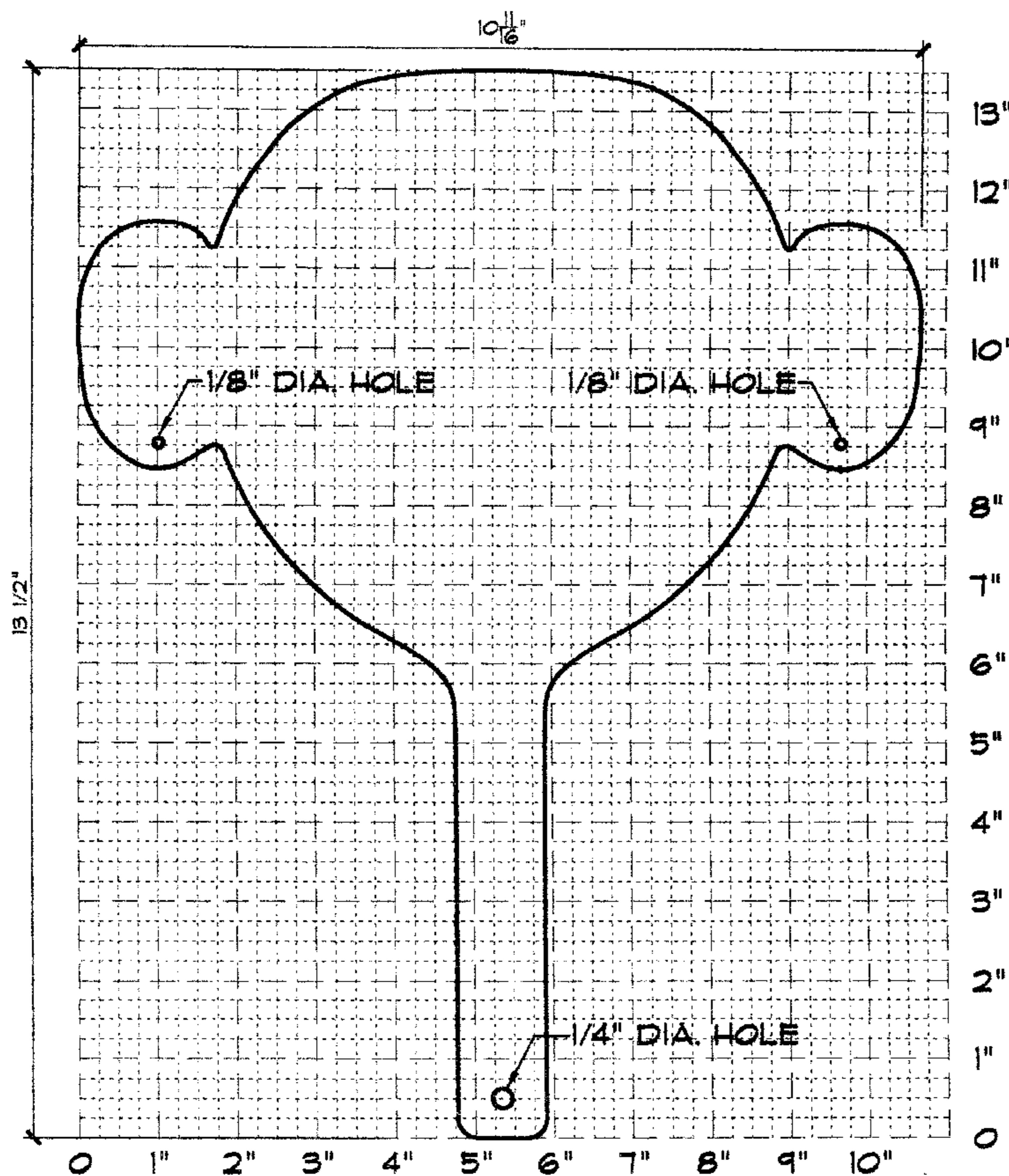
FIG. 5 is a bottom view thereof.

(56) **References Cited**

**U.S. PATENT DOCUMENTS**

D210,183 S \* 2/1968 Ross ..... D28/9  
4,837,861 A \* 6/1989 Cole ..... 2/9  
D354,585 S \* 1/1995 Rudy ..... D28/9

**1 Claim, 2 Drawing Sheets**



FRONT AND BACK VIEW OF PRODUCT AT 1/2 ACTUAL SCALE WITH BROKEN LINES INDICATING 1/4" INCREMENTS FOR SCALE PURPOSES ONLY FIGURE ABOVE SHOWS PRODUCT PRIOR TO 135° BEND APPLIED TO FACE AREA (SEE OTHER FIGURES FOR CLARIFICATION).

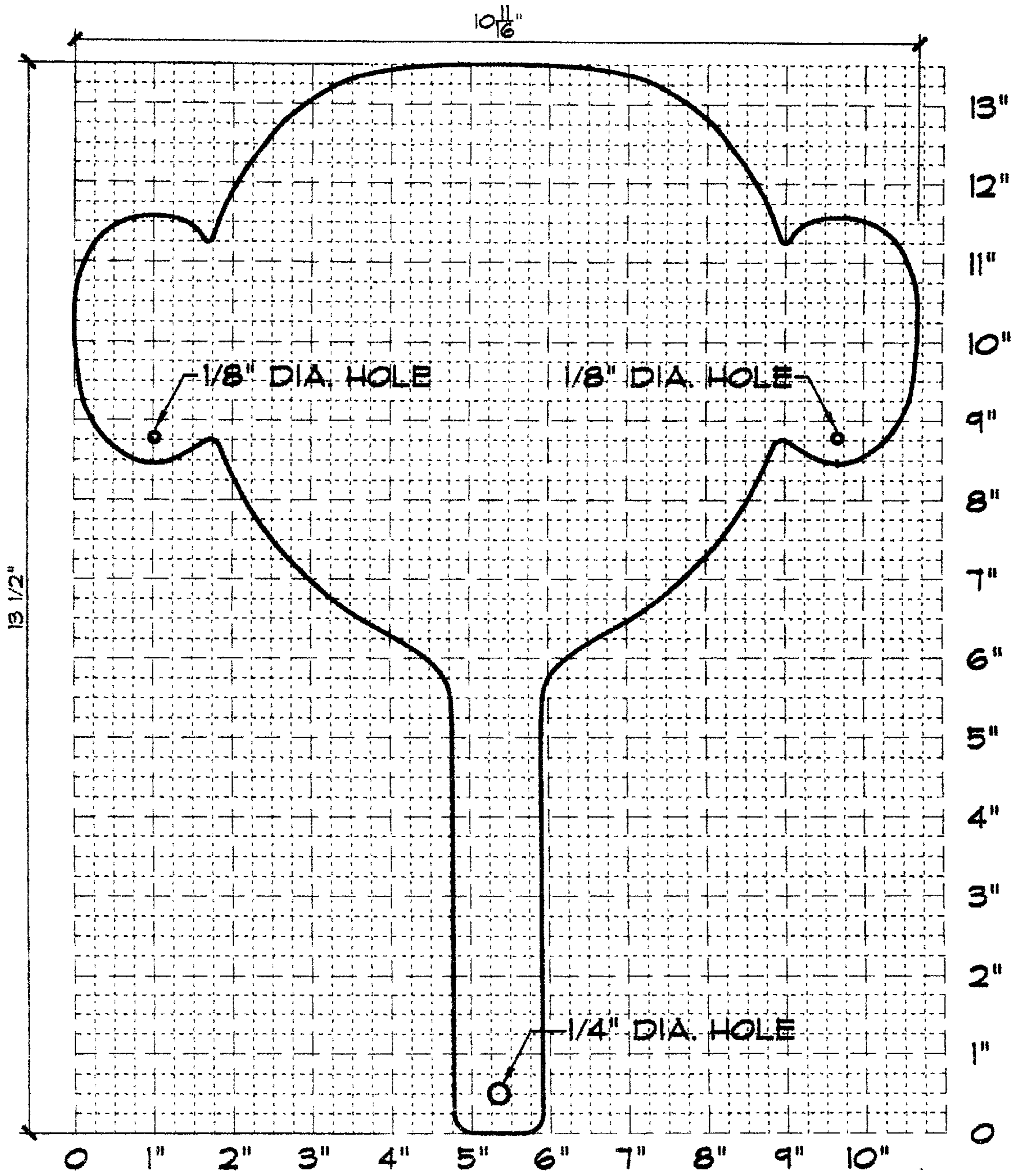


FIG. 1  
FRONT AND BACK VIEW OF PRODUCT AT 1/2 ACTUAL SCALE WITH BROKEN LINES  
INDICATING 1/4" INCREMENTS FOR SCALE PURPOSES ONLY FIGURE ABOVE SHOWS  
PRODUCT PRIOR TO 135° BEND APPLIED TO FACE AREA (SEE OTHER FIGURES  
FOR CLARIFICATION).

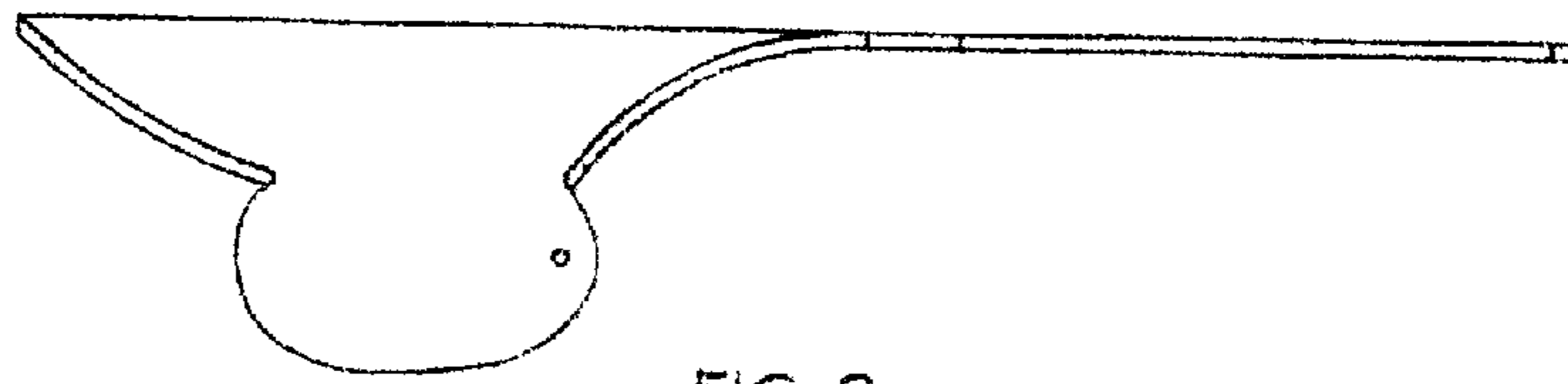


FIG. 2

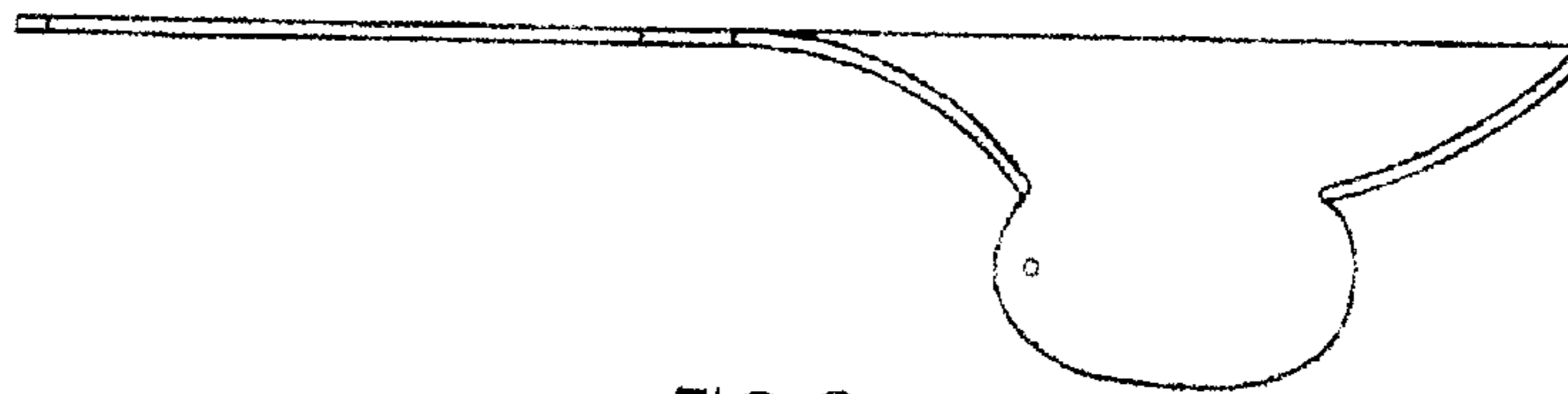


FIG. 3

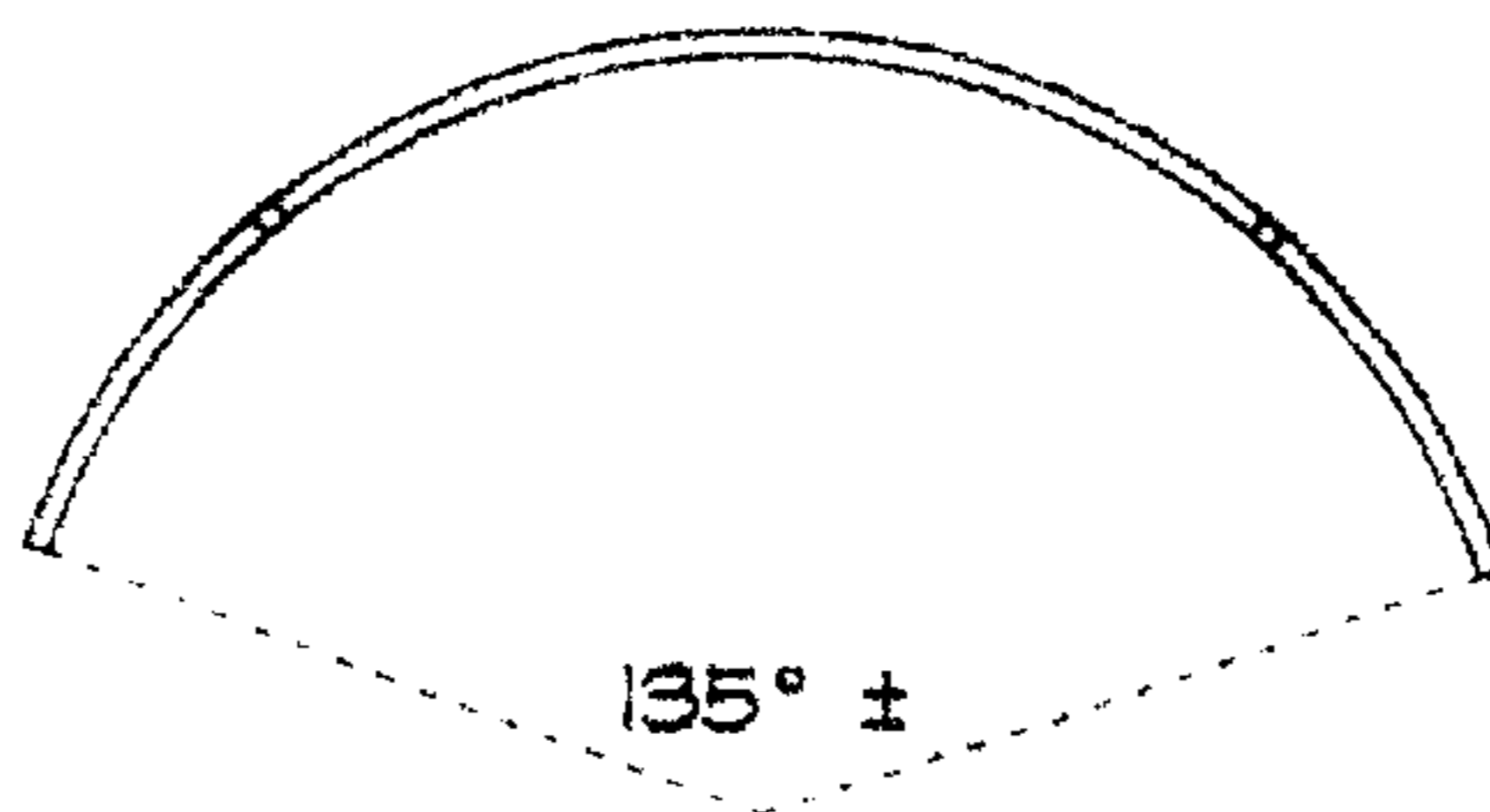


FIG. 4

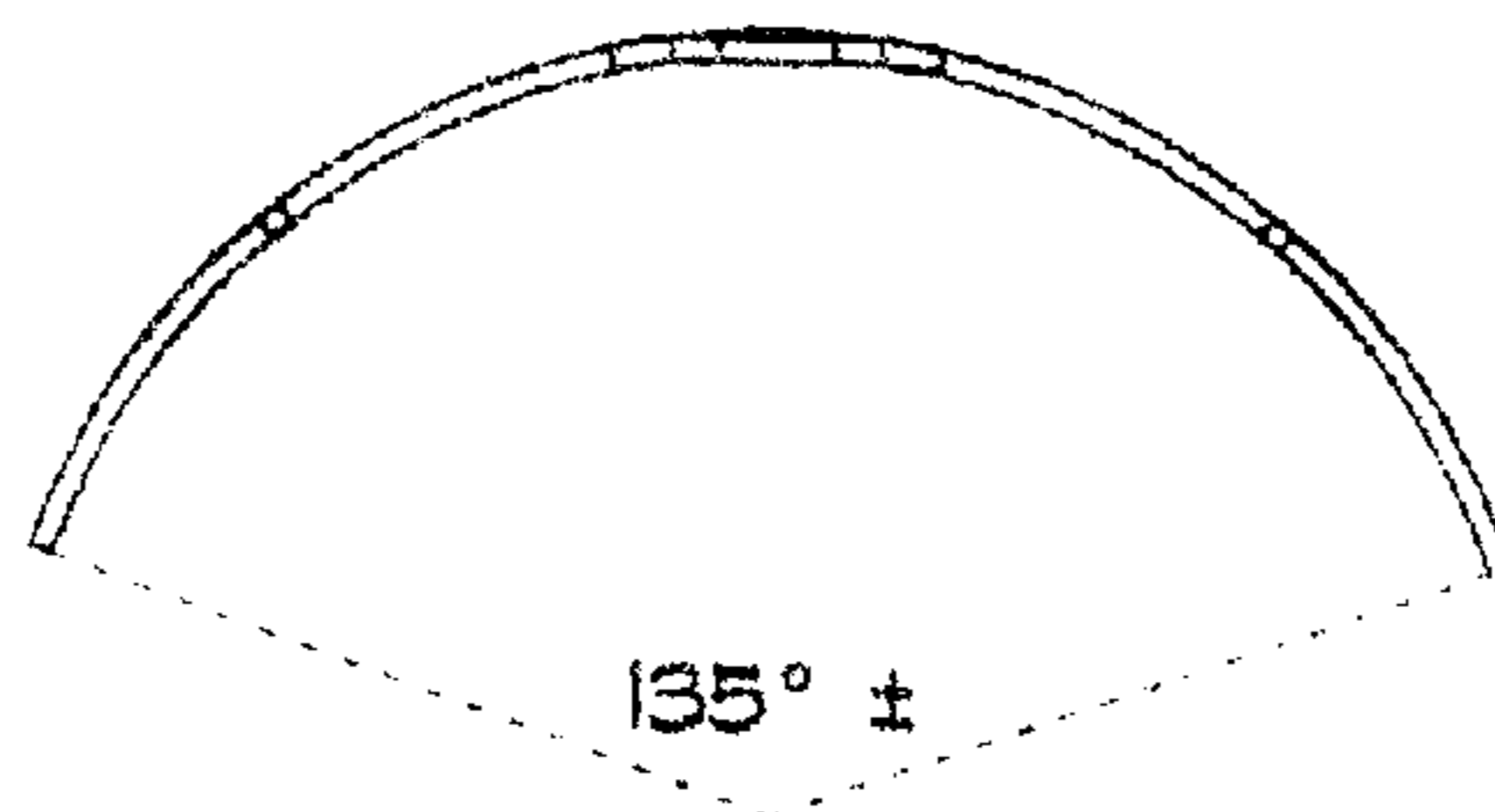


FIG. 5

- FIG. 2 LEFT SIDE ELEVATION
- FIG. 3 RIGHT SIDE ELEVATION
- FIG. 4 TOP ELEVATION
- FIG. 5 BOTTOM ELEVATION