



US00D487164S

(12) **United States Design Patent**
Denton

(10) **Patent No.:** **US D487,164 S**

(45) **Date of Patent:** **** Feb. 24, 2004**

(54) **COMBINED LOTION APPLICATOR AND COVER**

(76) **Inventor:** **Marie Denton**, 3450 Erva St. G130,
Las Vegas, NV (US) 89117

(**) **Term:** **14 Years**

(21) **Appl. No.:** **29/168,724**

(22) **Filed:** **Oct. 7, 2002**

(51) **LOC (7) Cl.** **28-02**

(52) **U.S. Cl.** **D28/7**

(58) **Field of Search** D28/7, 63; D9/338,
D9/447, 436; D32/45, 51, 52; D4/114,
137, 138; D24/119; 401/6, 196, 202-207,
262-266; 15/244.1-244.4, 143.1, 144.1,
144.2, 144.4, 144.3; 132/320

(56) **References Cited**

U.S. PATENT DOCUMENTS

- 1,973,768 A * 9/1934 Knapp 401/6
- 2,829,393 A * 4/1958 Turcotte 132/320
- 4,961,661 A * 10/1990 Sutton et al. 401/6
- D323,568 S * 1/1992 Hackler D28/63
- D384,436 S * 9/1997 Kelley D28/7

- D410,110 S * 5/1999 Roland D28/7
- 6,042,286 A * 3/2000 Paziienza 401/202
- D453,855 S * 2/2002 Petkus D28/7
- 6,491,463 B1 * 12/2002 Richard 401/6

* cited by examiner

Primary Examiner—Lucy Lieberman

(57) **CLAIM**

The ornamental design for a combined lotion applicator and cover, as shown and described.

DESCRIPTION

FIG. 1 is a front elevational view of a combined lotion applicator and cover showing my new design;
 FIG. 2 is a rear elevational view thereof;
 FIG. 3 is a side view, taken from the left side of FIG. 1, the right side view being a mirror image thereof;
 FIG. 4 is a top plan view thereof;
 FIG. 5 is a bottom plan view thereof; and,
 FIG. 6 is a top, front and right side perspective view of the combined lotion applicator and cover shown with the applicator in an extended position.
 The cover is shown in the exploded condition in all of the views.

1 Claim, 3 Drawing Sheets

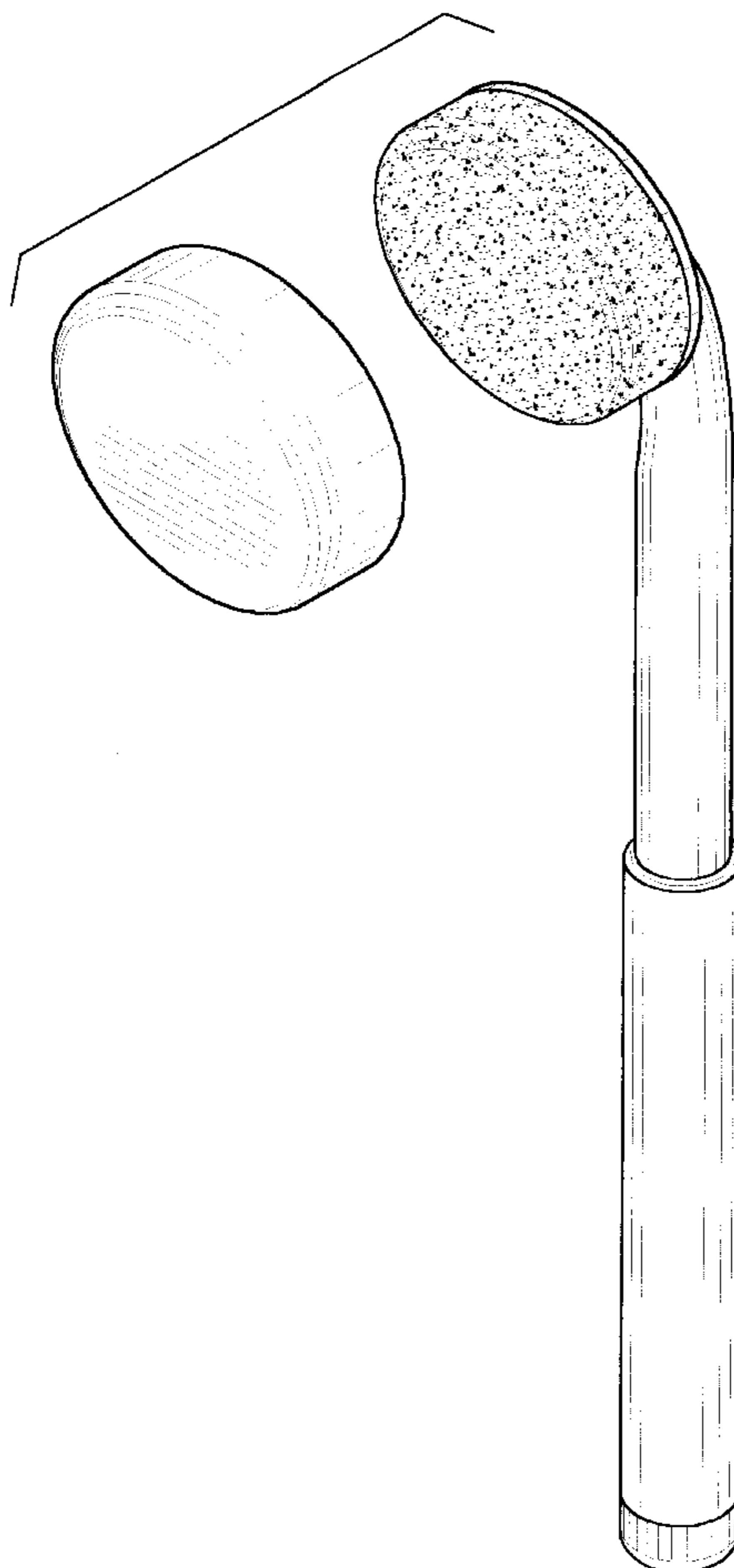


FIG. 2

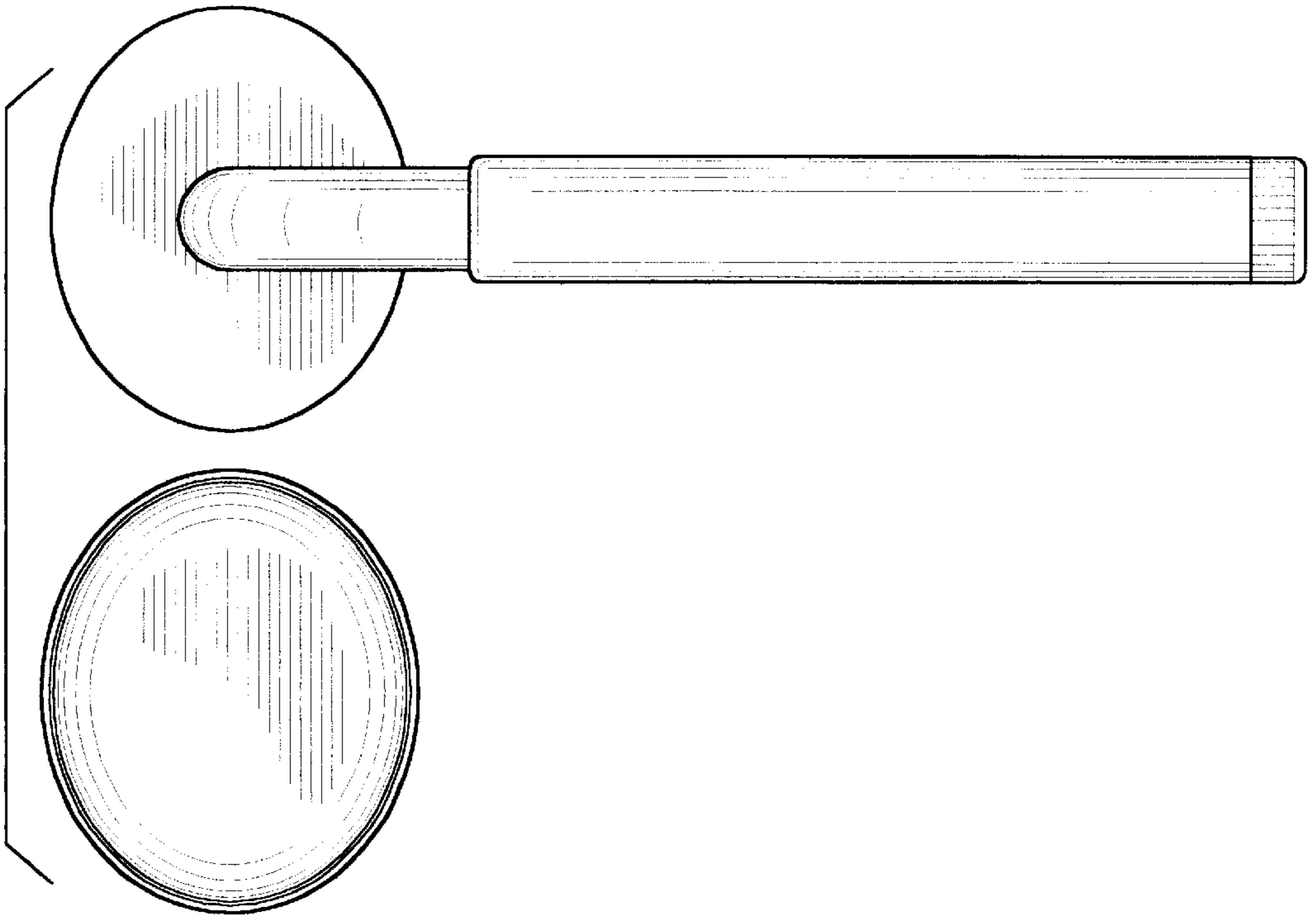
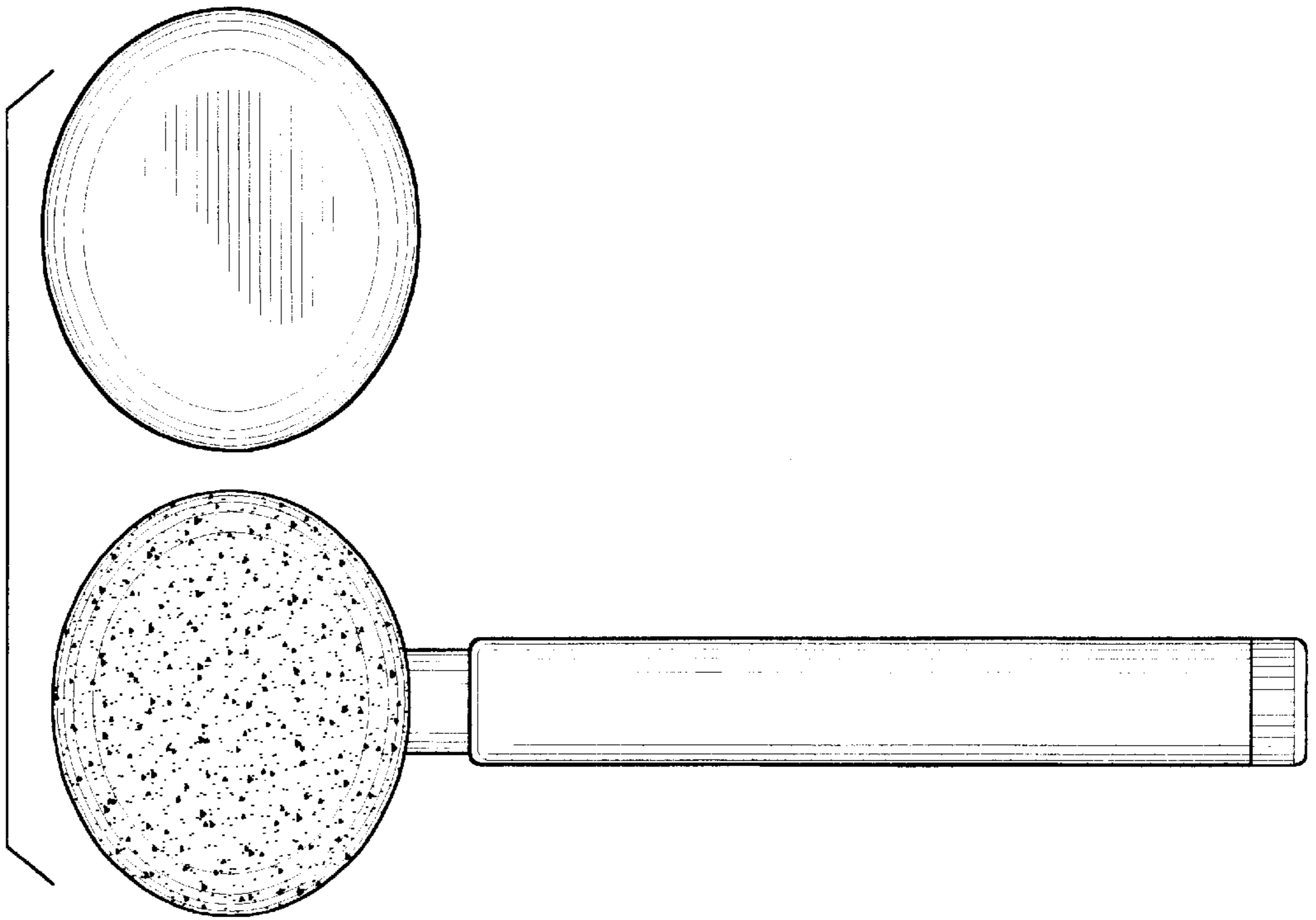
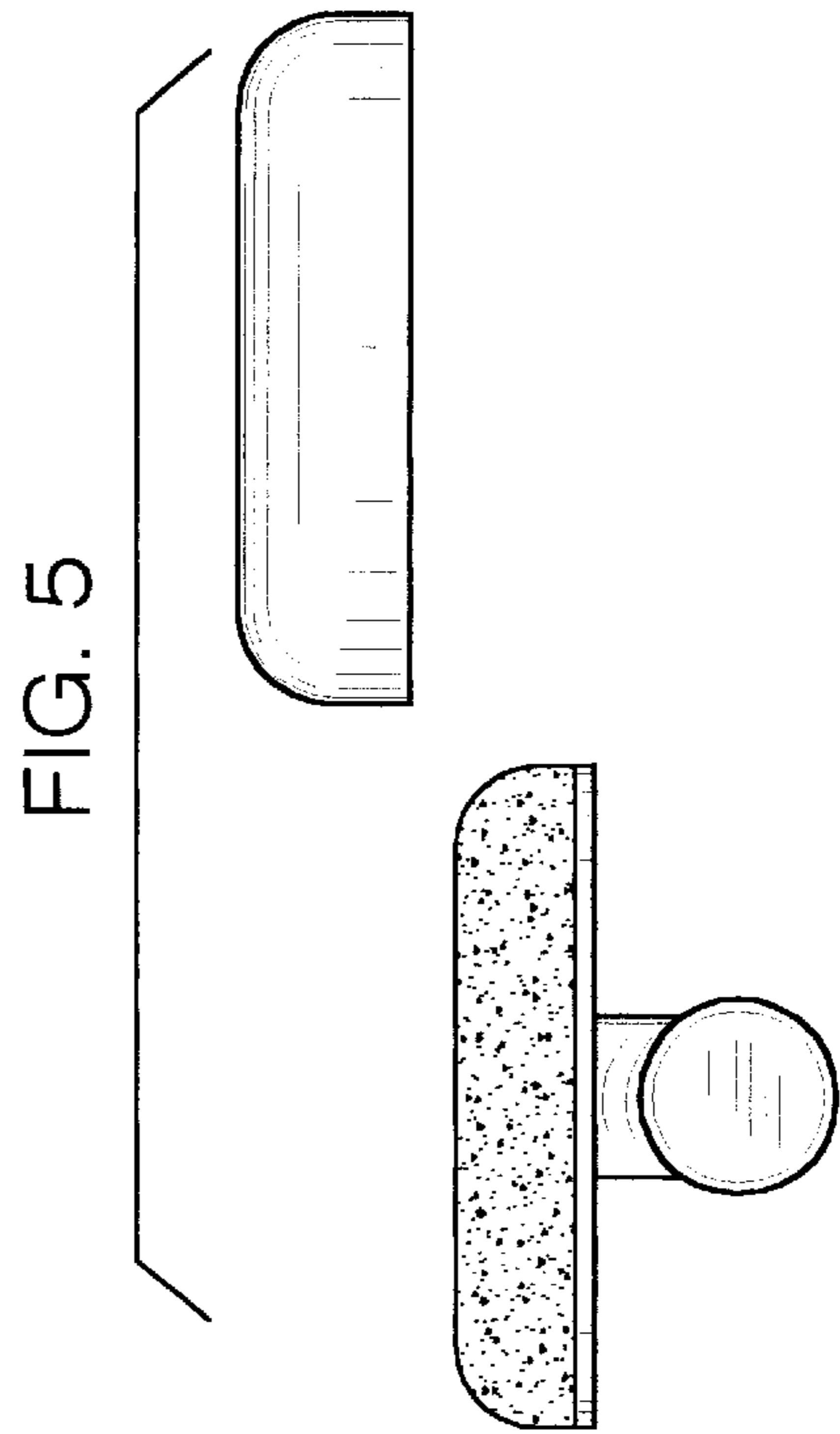
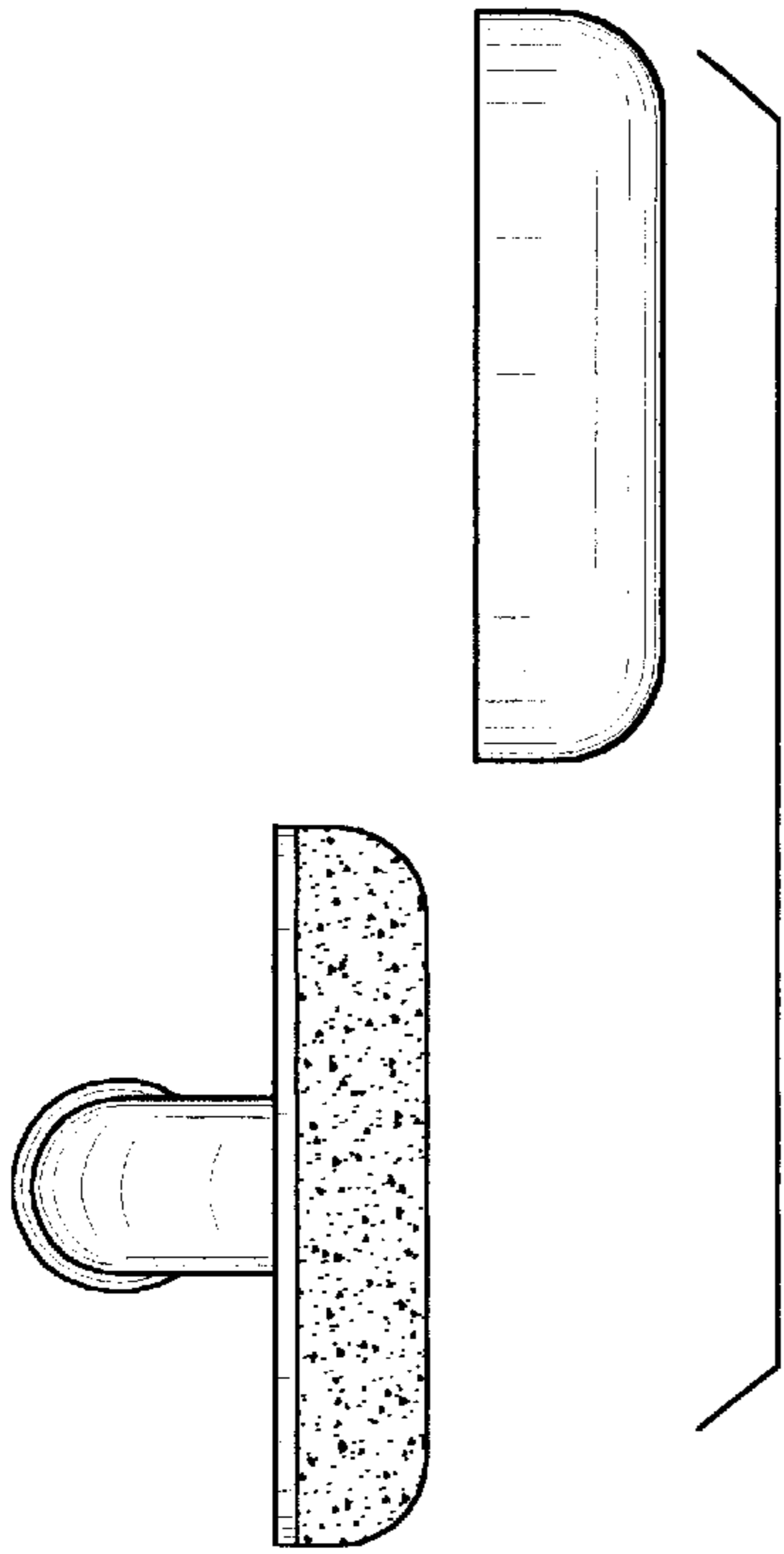
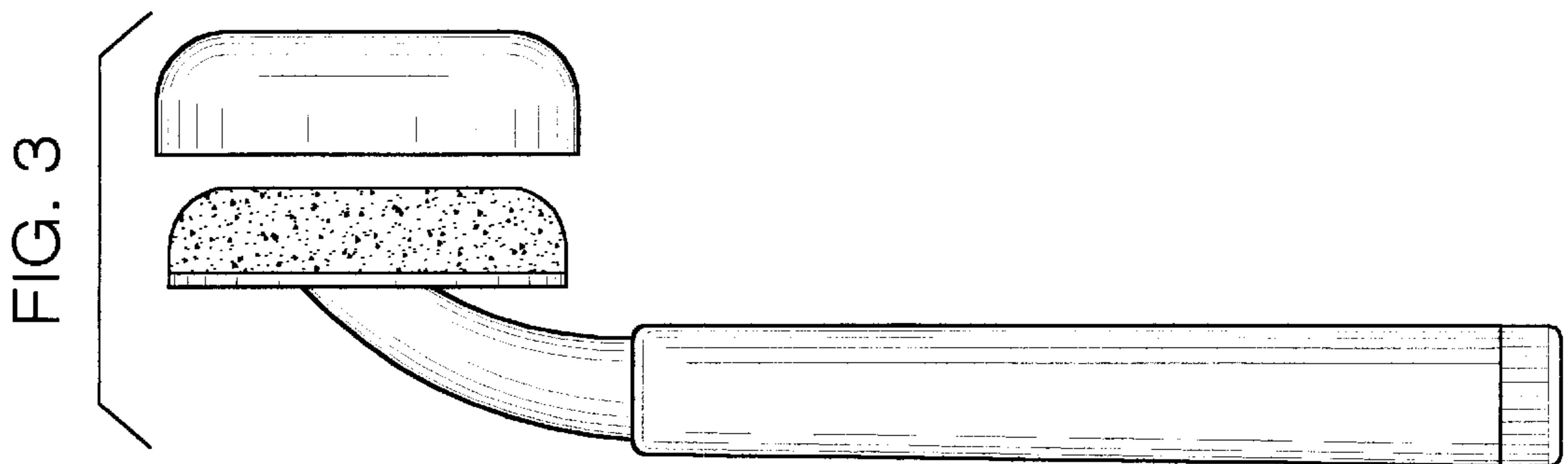


FIG. 1





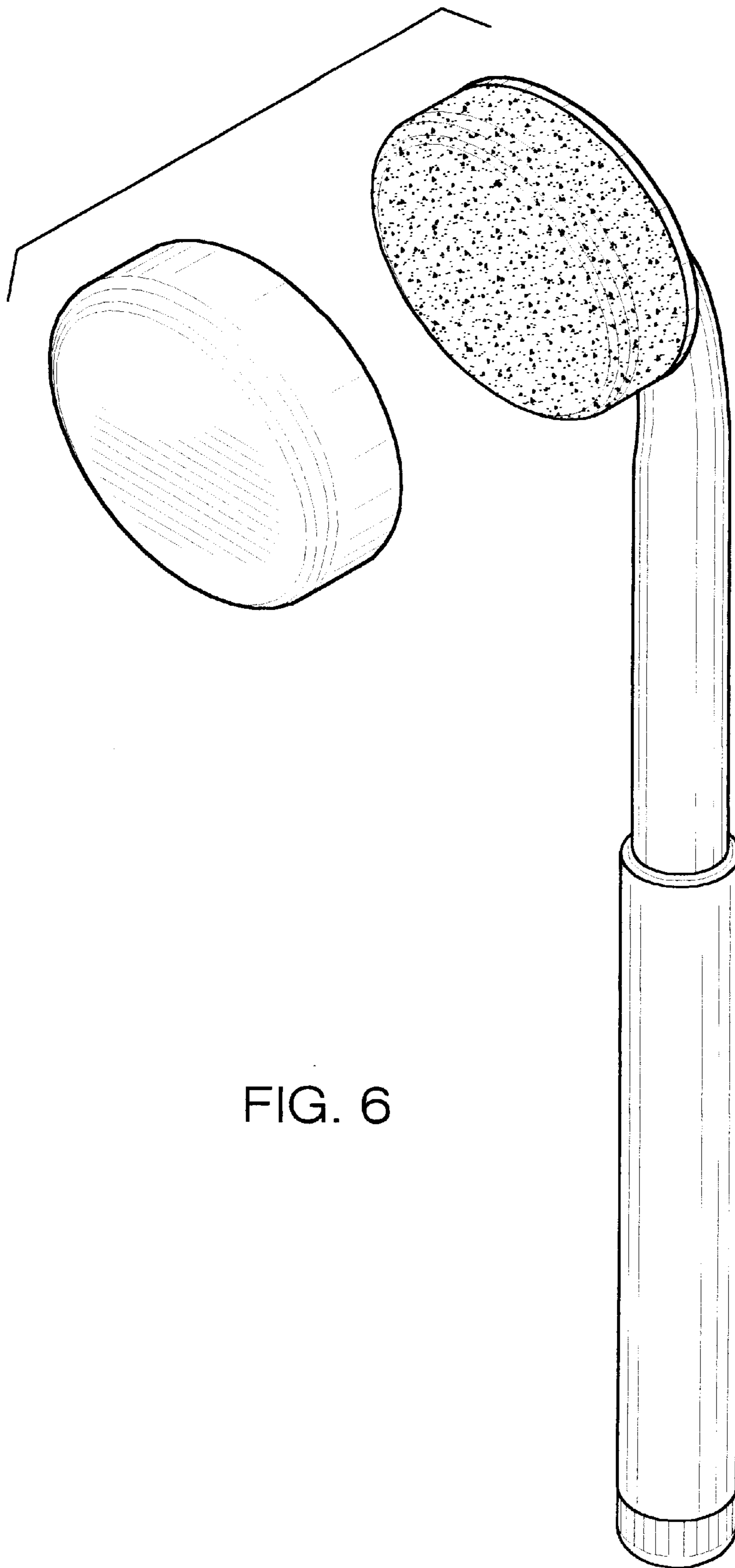


FIG. 6