



US00D487162S

(12) **United States Design Patent**
Lap Hon

(10) **Patent No.:** **US D487,162 S**

(45) **Date of Patent:** **** Feb. 24, 2004**

- (54) **FLUORESCENT LAMP**
- (75) Inventor: **Tsang Lap Hon**, Hong Kong (CN)
- (73) Assignee: **One World Technologies, Inc.**,
Hamilton (BM)
- (**) Term: **14 Years**
- (21) Appl. No.: **29/179,020**
- (22) Filed: **Apr. 3, 2003**
- (51) **LOC (7) Cl.** **26-02**
- (52) **U.S. Cl.** **D26/37; D26/42**
- (58) **Field of Search** **D26/37-50; 362/157,**
362/158, 171, 172, 173, 183-208
- (56) **References Cited**

U.S. PATENT DOCUMENTS

| | | | |
|-------------|-----------|------------------|----------|
| 3,809,882 A | 5/1974 | Wetmore | 240/10.6 |
| 4,432,043 A | 2/1984 | Yuen | 362/184 |
| 4,977,489 A | 12/1990 | Fung | 362/184 |
| D323,717 S | 2/1992 | Fung | D26/44 |
| D344,152 S | 2/1994 | Yuen | D26/38 |
| D352,794 S | 11/1994 | Bamber et al. | D26/37 |
| D354,364 S | 1/1995 | Yuen | D26/42 |
| 5,465,196 A | 11/1995 | Hasenberg et al. | 362/183 |
| 5,467,258 A | 11/1995 | Bamber et al. | 362/184 |
| D387,348 S | * 12/1997 | Lam et al. | D26/42 |
| D409,776 S | 5/1999 | Ghode et al. | D26/42 |

| | | | |
|------------|----------|---------------|--------|
| D414,576 S | 9/1999 | Yuen | D26/42 |
| D424,222 S | 5/2000 | Leung | D26/42 |
| D439,354 S | 3/2001 | Yuen | D26/42 |
| D439,689 S | 3/2001 | Yuen | D26/42 |
| D441,888 S | 5/2001 | Haneda et al. | D26/42 |
| D443,372 S | * 6/2001 | Yuen | D26/42 |
| D463,592 S | * 9/2002 | Han-Shim | D26/42 |

FOREIGN PATENT DOCUMENTS

GB 2 071 300 A 9/1981

* cited by examiner

Primary Examiner—Marcus A. Jackson

(74) *Attorney, Agent, or Firm*—Harrington & Smith, LLP

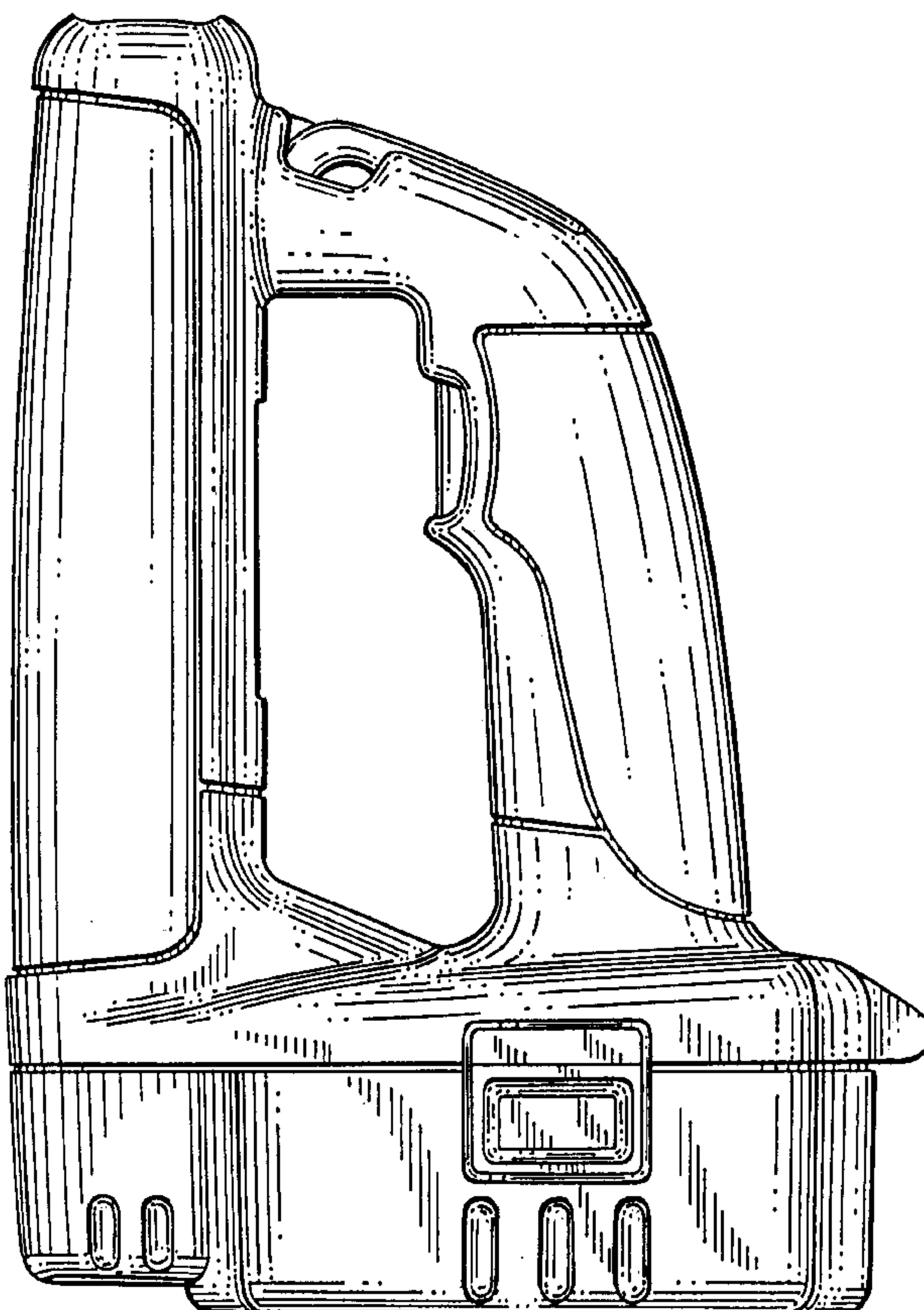
(57) **CLAIM**

I/We claim the ornamental design for a fluorescent lamp, as shown and described.

DESCRIPTION

FIG. 1 is a left side elevational view of a fluorescent lamp incorporating my/our new design;
 FIG. 2 is a top plan view thereof;
 FIG. 3 is a rear side elevational view thereof;
 FIG. 4 is a front side elevational view thereof;
 FIG. 5 is a right side elevational view thereof; and,
 FIG. 6 is a bottom plan view thereof.

1 Claim, 4 Drawing Sheets



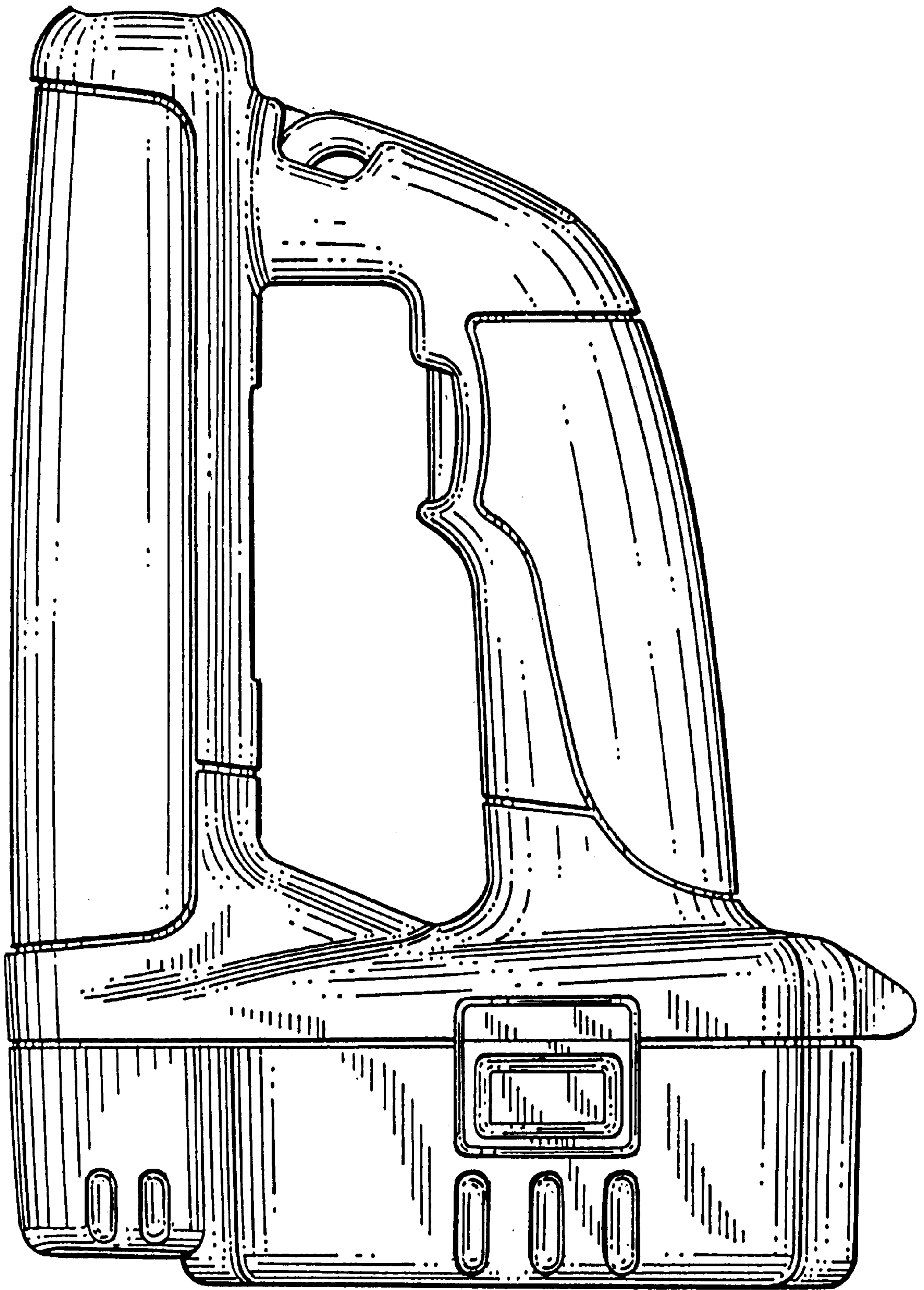


FIG. 1

FIG. 2

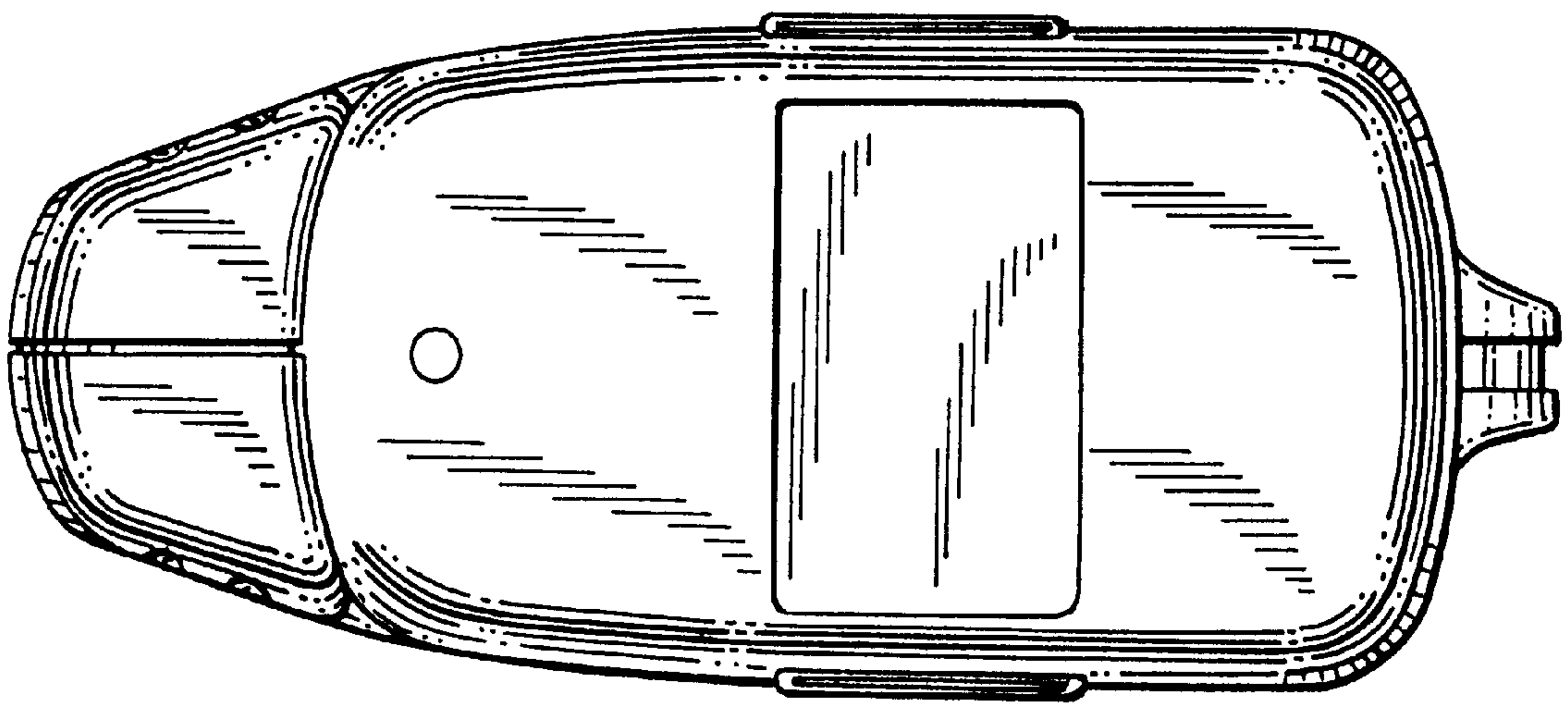
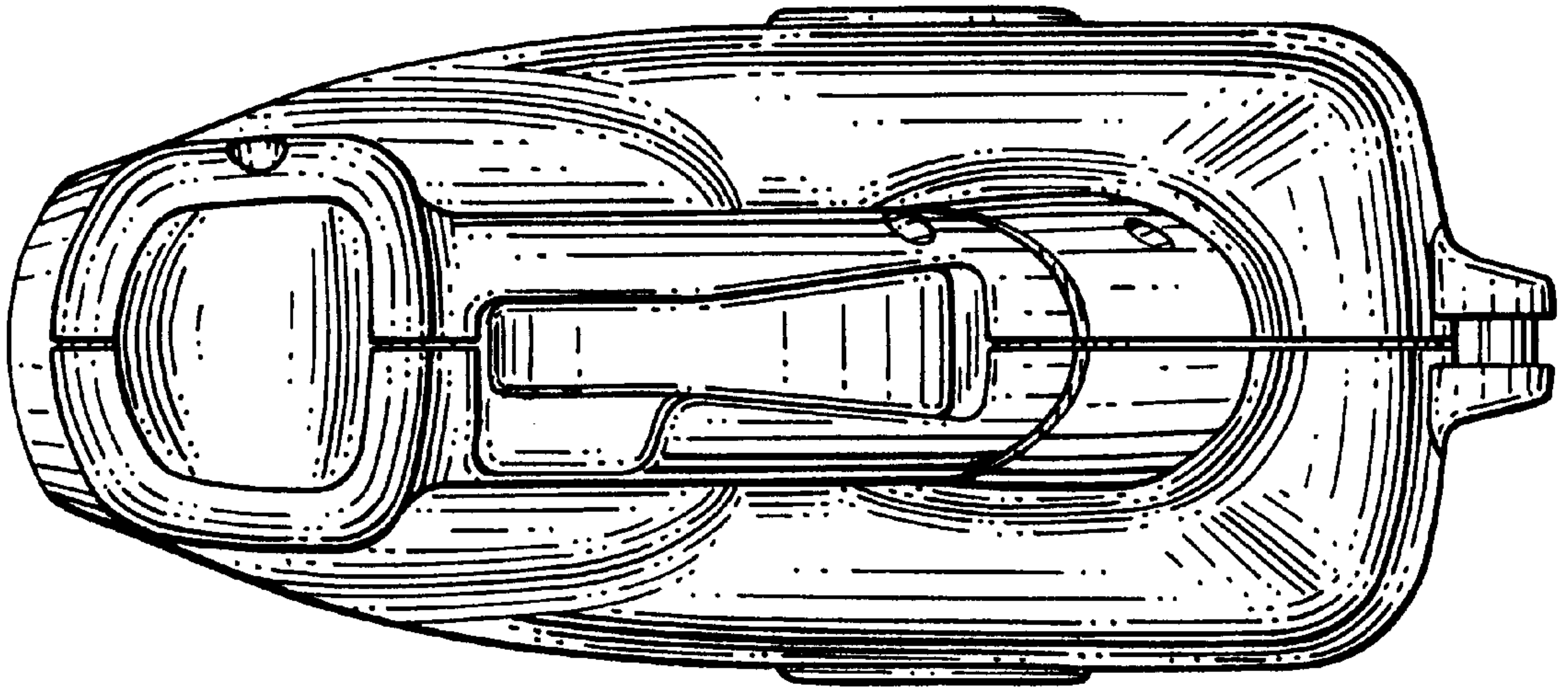


FIG. 6

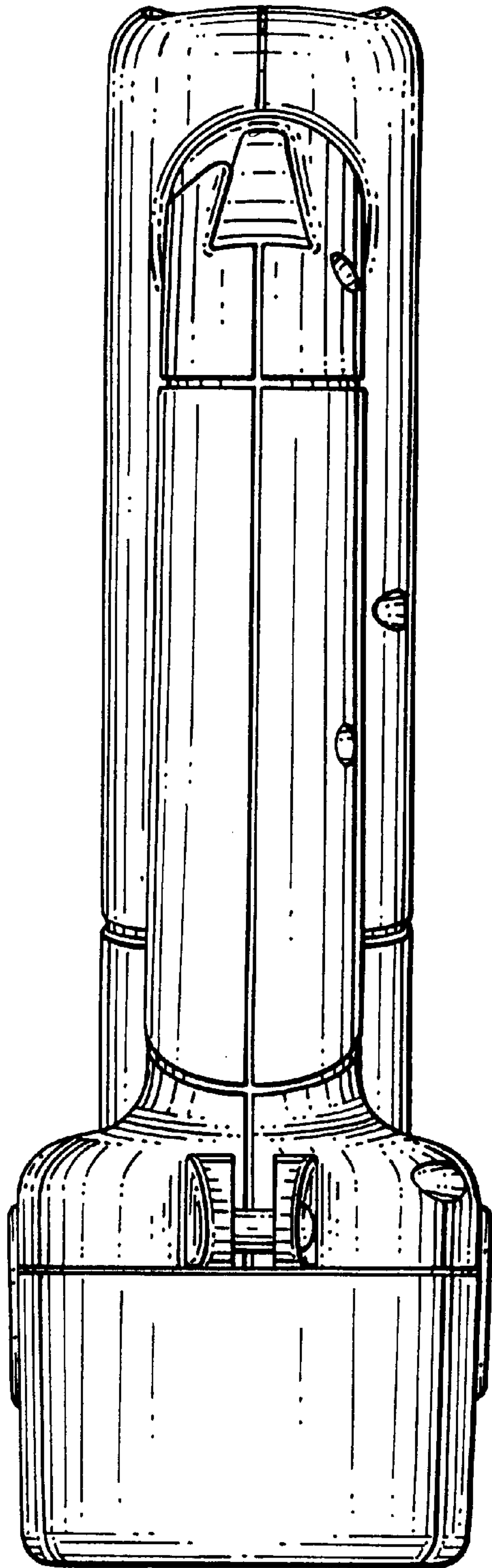


FIG. 3

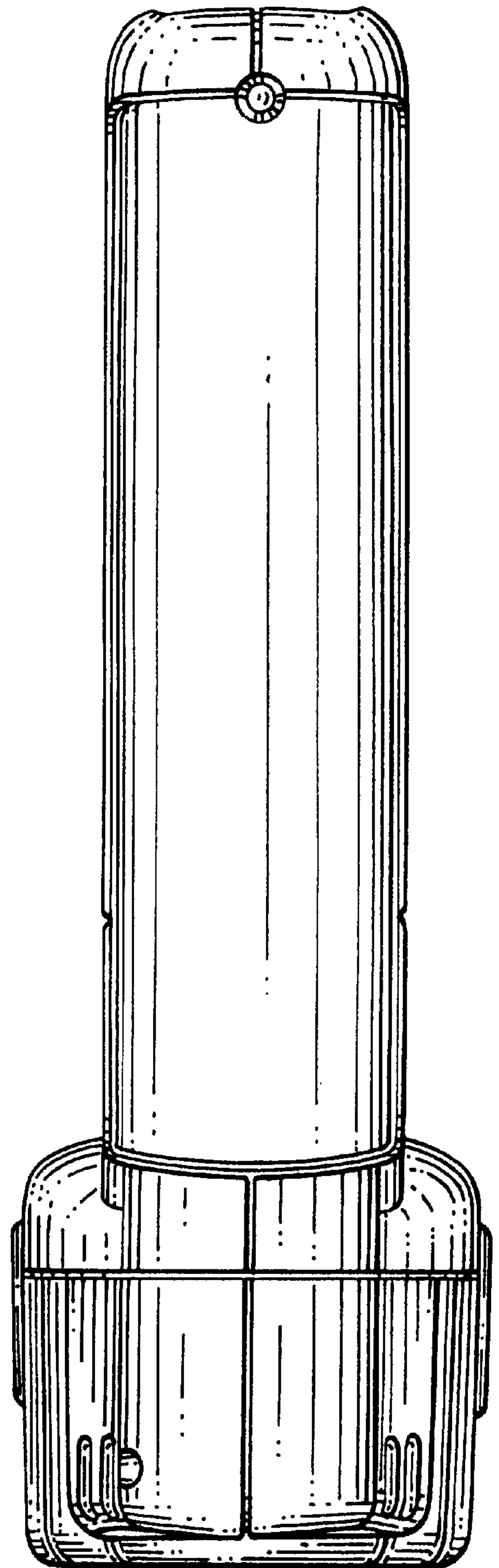


FIG. 4

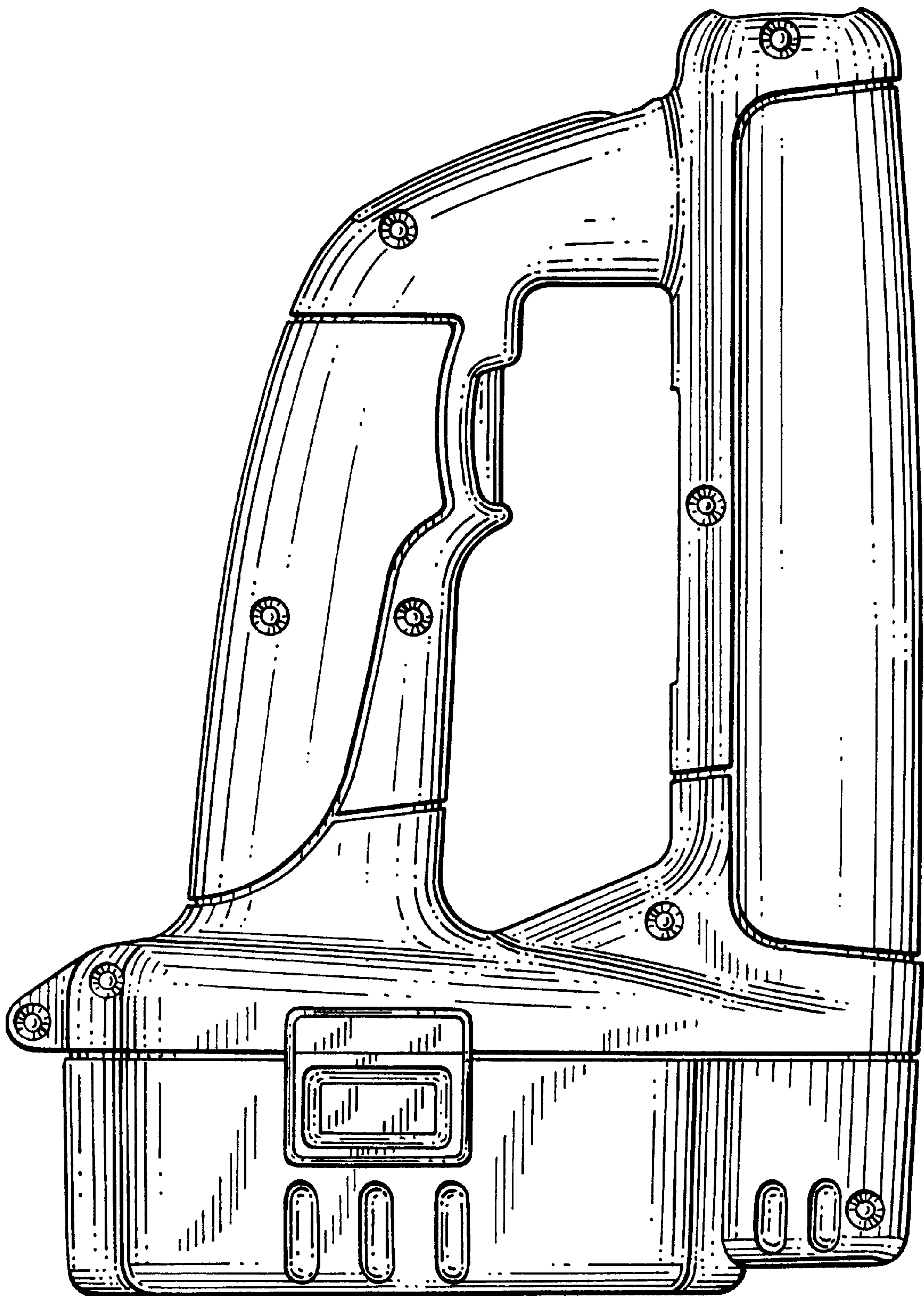


FIG. 5