



US00D487161S

(12) **United States Design Patent**  
**Svedberg**

(10) **Patent No.:** **US D487,161 S**

(45) **Date of Patent:** **\*\* Feb. 24, 2004**

(54) **ATTACHMENT DEVICE FOR SECURING A SAFE GUARD RAIL SYSTEM ON A CONSTRUCTION OR A SCAFFOLDING**

D418,033 S 12/1999 Svedberg  
D471,291 S \* 3/2003 Ammons ..... D25/131

\* cited by examiner

(75) Inventor: **Joakim Svedberg, Östersund (SE)**

*Primary Examiner—Doris Clark*

(73) Assignee: **Combisafe International AB, Östersund (SE)**

(74) *Attorney, Agent, or Firm—Young & Thompson*

(\*\*) Term: **14 Years**

(57) **CLAIM**

(21) Appl. No.: **29/172,271**

The ornamental design for an attachment device for securing a safe guard rail system on a construction or a scaffolding, as shown and described.

(22) Filed: **Dec. 10, 2002**

**DESCRIPTION**

(30) **Foreign Application Priority Data**

Jun. 10, 2002 (SE) ..... 02-0901

(51) **LOC (7) Cl.** ..... **25-01**

(52) **U.S. Cl.** ..... **D25/131**

(58) **Field of Search** ..... D25/38, 131; 256/1; 182/2.1, 45, 82

FIG. 1 is a perspective view of an attachment device for securing a safe guard rail on a construction or a scaffolding, showing my new design;

FIG. 2 is a perspective view from the opposite side thereof;

FIG. 3 is a perspective view with the lower portion lifted exposing the knurled rod; and,

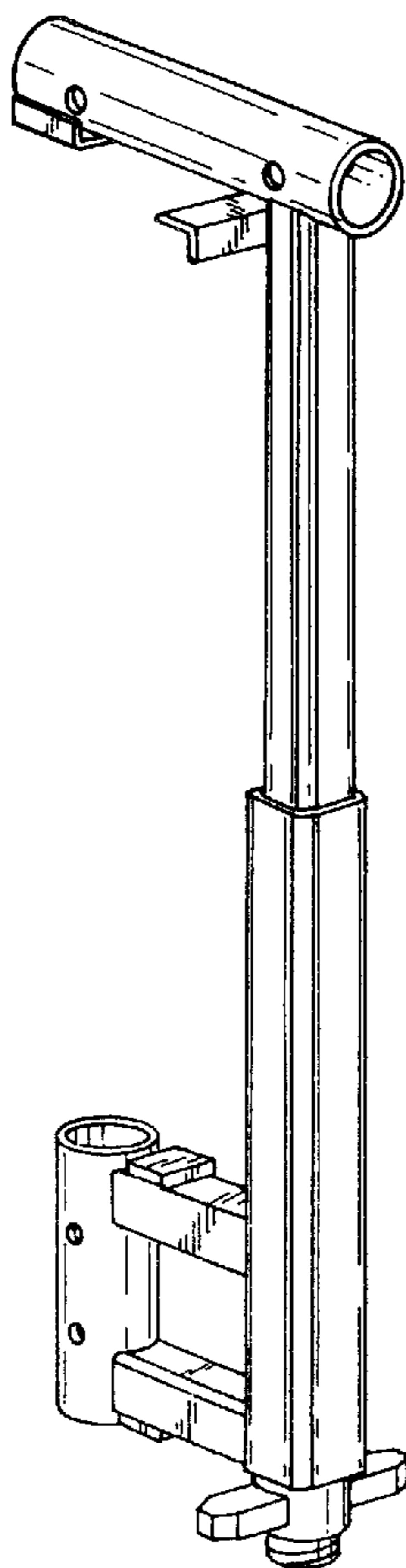
FIG. 4 is a perspective view from the opposite side thereof.

(56) **References Cited**

**U.S. PATENT DOCUMENTS**

D397,453 S \* 8/1998 Dahlin et al. .... D25/131

**1 Claim, 1 Drawing Sheet**



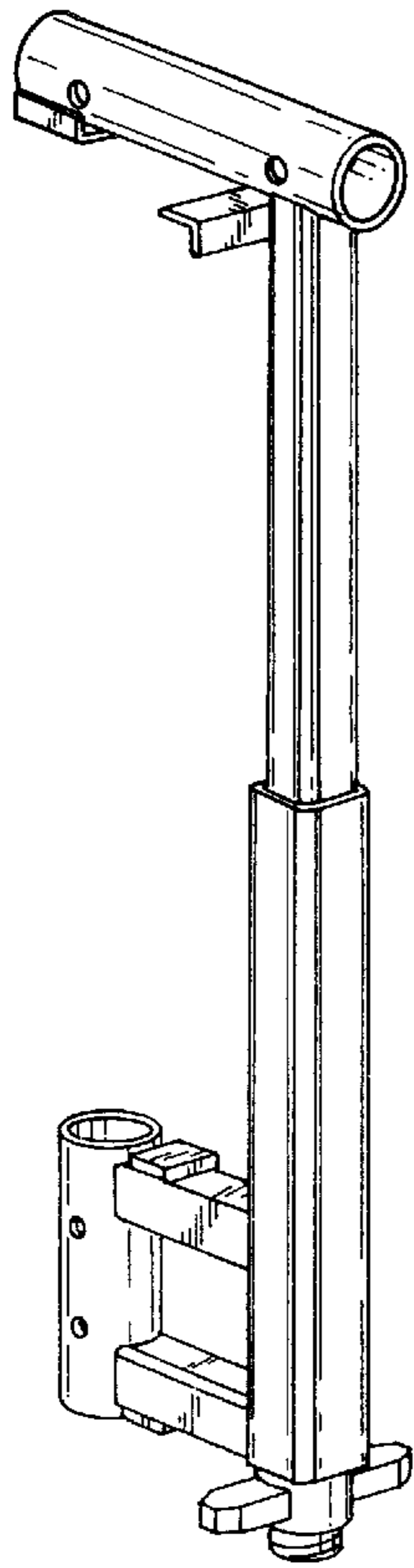


FIG.1

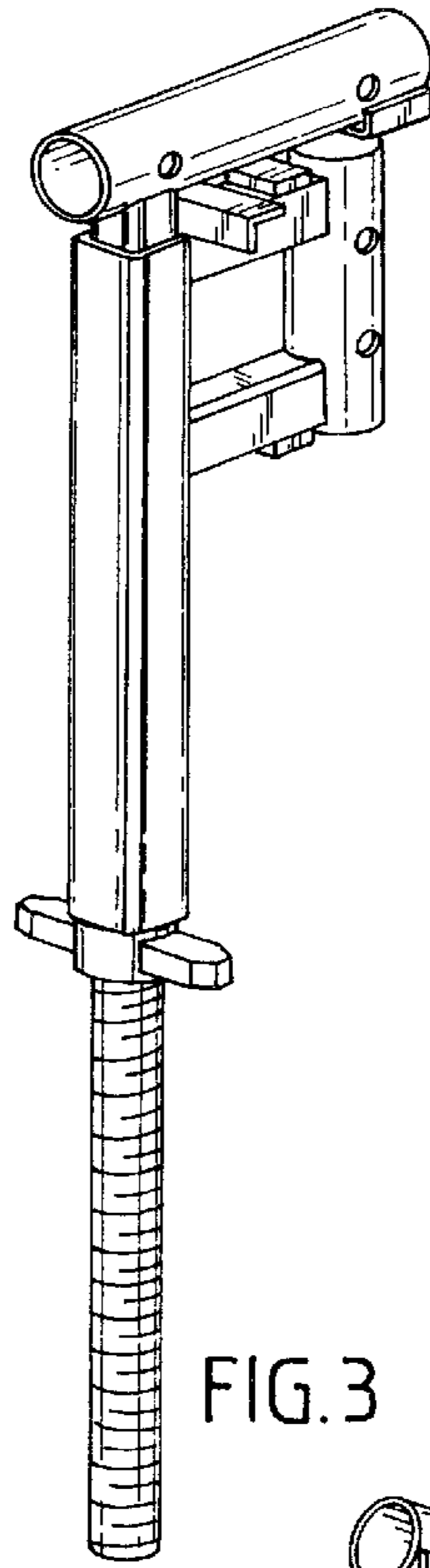


FIG.3

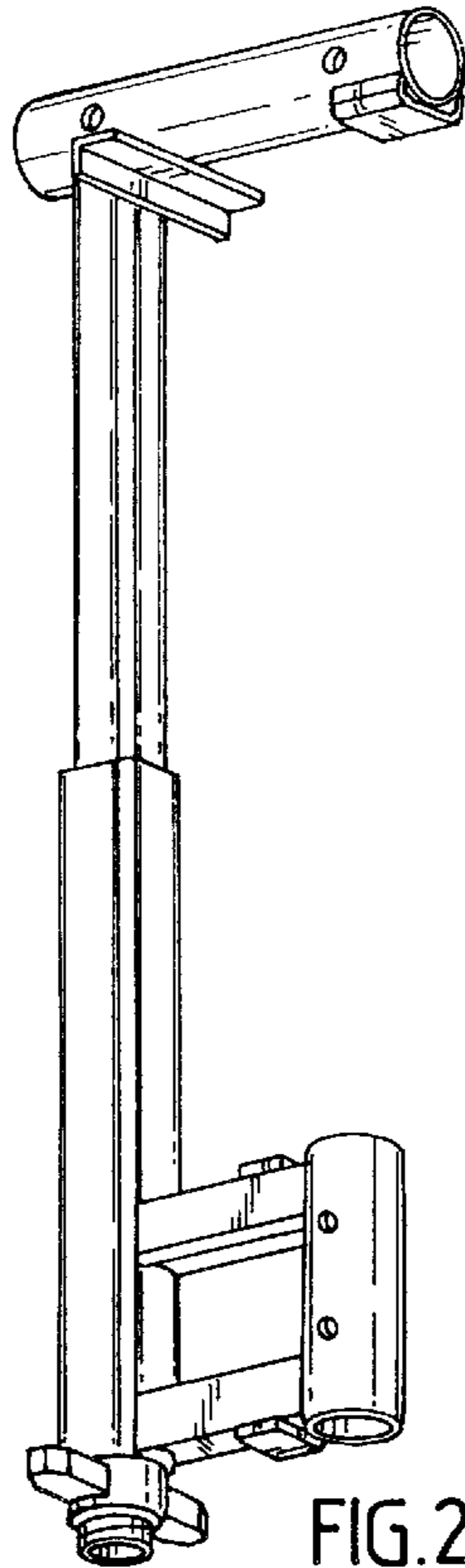


FIG.2

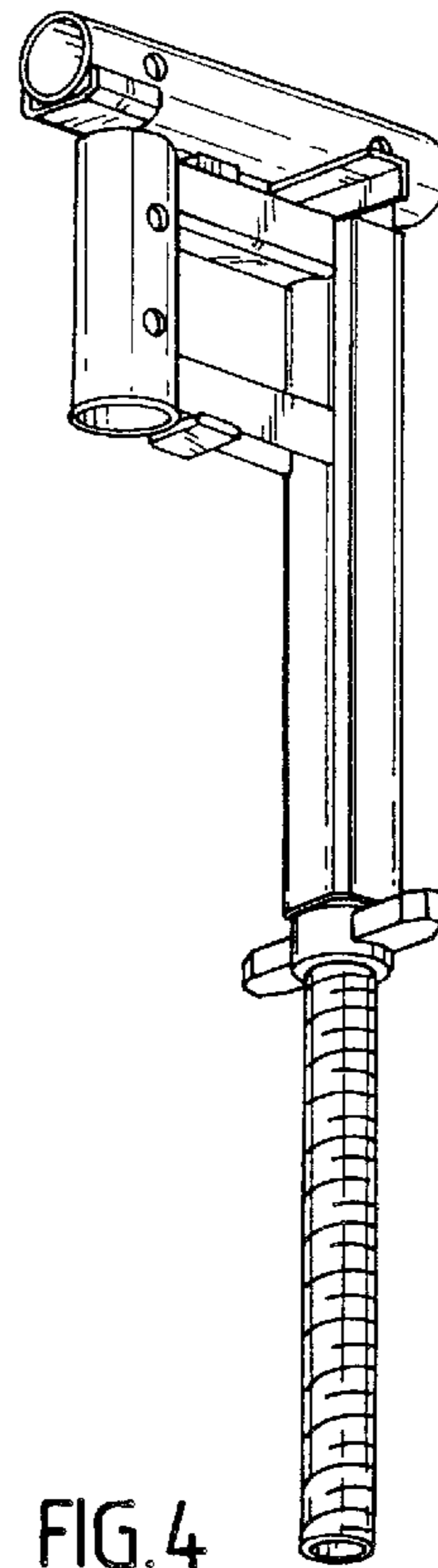


FIG.4