



US00D487157S

(12) **United States Design Patent**
Gendron et al.

(10) **Patent No.:** **US D487,157 S**

(45) **Date of Patent:** **** Feb. 24, 2004**

(54) **BUILDING BLOCK**

OTHER PUBLICATIONS

(76) Inventors: **James M. Gendron**, 49964 Fuller Ct.,
Plymouth, MI (US) 48170; **Michael D.
Coots**, 3300 Reinhardt, Monroe, MI
(US) 48162

VPB Architectural Products showing a split faced, pitched
face masonry unit used in the River's Edge Building project,
Traverse City, MI. Aug. 2001; web page: www.vanpoppe-
lenbros.com/projects.*

(**) Term: **14 Years**

Sheldon Good & Company Realtors brochure showing sale
of River's Edge residences, Traverse City, MI, first viewing
date Aug. 18 2001; web site www.sheldongood.com/riv-
ersedge.*

(21) Appl. No.: **29/172,579**

Van Poppelen Bros.; 1 page various block designs; Undated;
Bay City, Michigan.

(22) Filed: **Dec. 13, 2002**

(51) **LOC (7) Cl.** **25-01**

* cited by examiner

(52) **U.S. Cl.** **D25/118**

Primary Examiner—Louis S. Zarfaz

(58) **Field of Search** D25/113–118;
D21/484–485, 490, 493, 500–503; 405/16,
284; 52/102, 503, 574, 596–612; 404/34,
40–42

Assistant Examiner—Robert A. Delehanty

(74) *Attorney, Agent, or Firm*—Warn, Burgess &
Hoffmann, P.C.

(56) **References Cited**

(57) **CLAIM**

The ornamental design for a building block, substantially as
shown and described.

U.S. PATENT DOCUMENTS

DESCRIPTION

D36,772 S	2/1904	Palmer	
D36,804 S	2/1904	Palmer	
D36,805 S	2/1904	Palmer	
D36,806 S	2/1904	Palmer	
2,957,278 A	10/1960	Woodworth	
D199,183 S	9/1964	Stephens	
D245,340 S	8/1977	Johnson	
4,335,549 A	6/1982	Dean, Jr.	
D316,904 S	* 5/1991	Forsberg	D25/114
D340,772 S	10/1993	Harrison	
D340,775 S	10/1993	Sauve	
D368,313 S	3/1996	Schulz, Jr.	
D369,417 S	* 4/1996	Evans	D25/118
D387,432 S	* 12/1997	Youssefian	D25/114
D392,052 S	3/1998	Youssefian	
D458,693 S	6/2002	Sievert	
D461,567 S	8/2002	Ogawa	
D463,866 S	* 10/2002	Jang	D25/113
D464,441 S	* 10/2002	Luaces	D25/114

FIG. 1 is a perspective view of the building block of the
present invention showing the front face having two distinct
surfaces;

FIG. 2 is a front plan view of the building block of the
present invention;

FIG. 3 is a top plan view of the building block of the present
invention;

FIG. 4 is a front, fragmented elevational view of a plurality
of building blocks of the present invention shown in alter-
native positions and stacked together to form a wall;

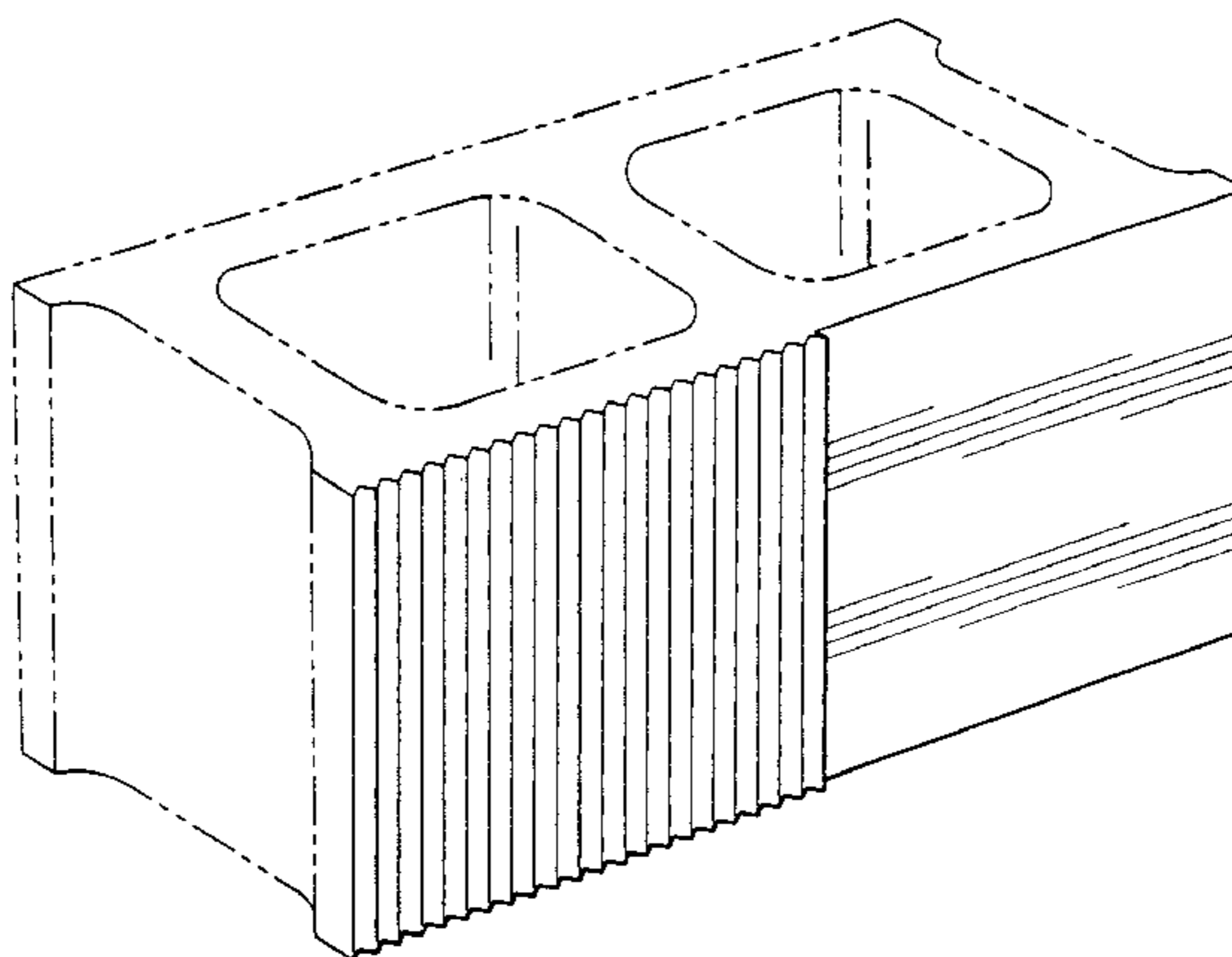
FIG. 5 is a front plan view further illustrating the building
block of FIG. 1 with a score line that delineates the respec-
tive surfaces; and,

FIG. 6 is a top plan view of the building block of FIG. 5.
The broken line showing the rear portion of the block as the
plurality of blocks shown stacked in alternative positions is
for illustrative purposes only and forms no part of the
claimed design.

FOREIGN PATENT DOCUMENTS

EP 0055987 * 1/1982 D25/114 X

1 Claim, 2 Drawing Sheets



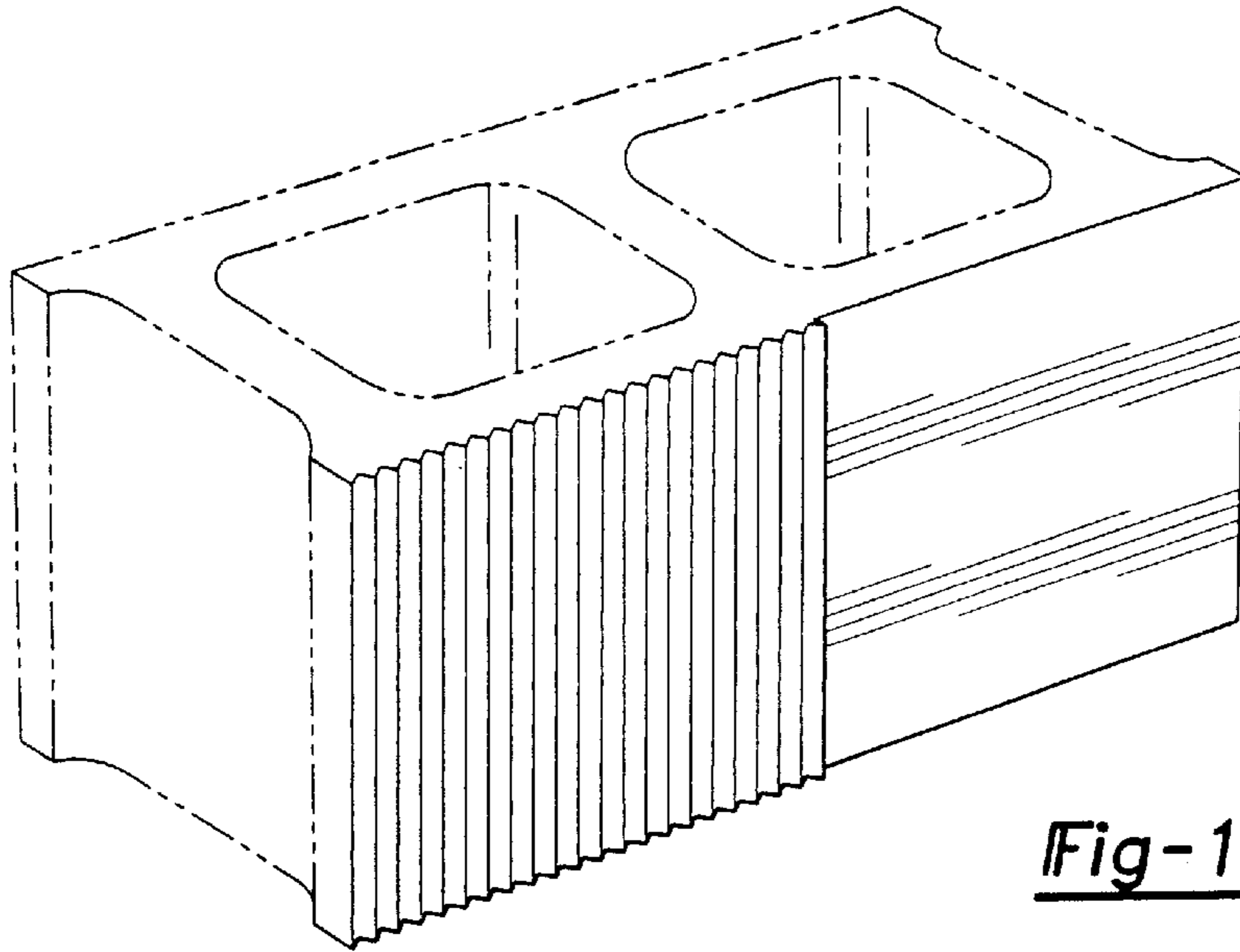


Fig-1

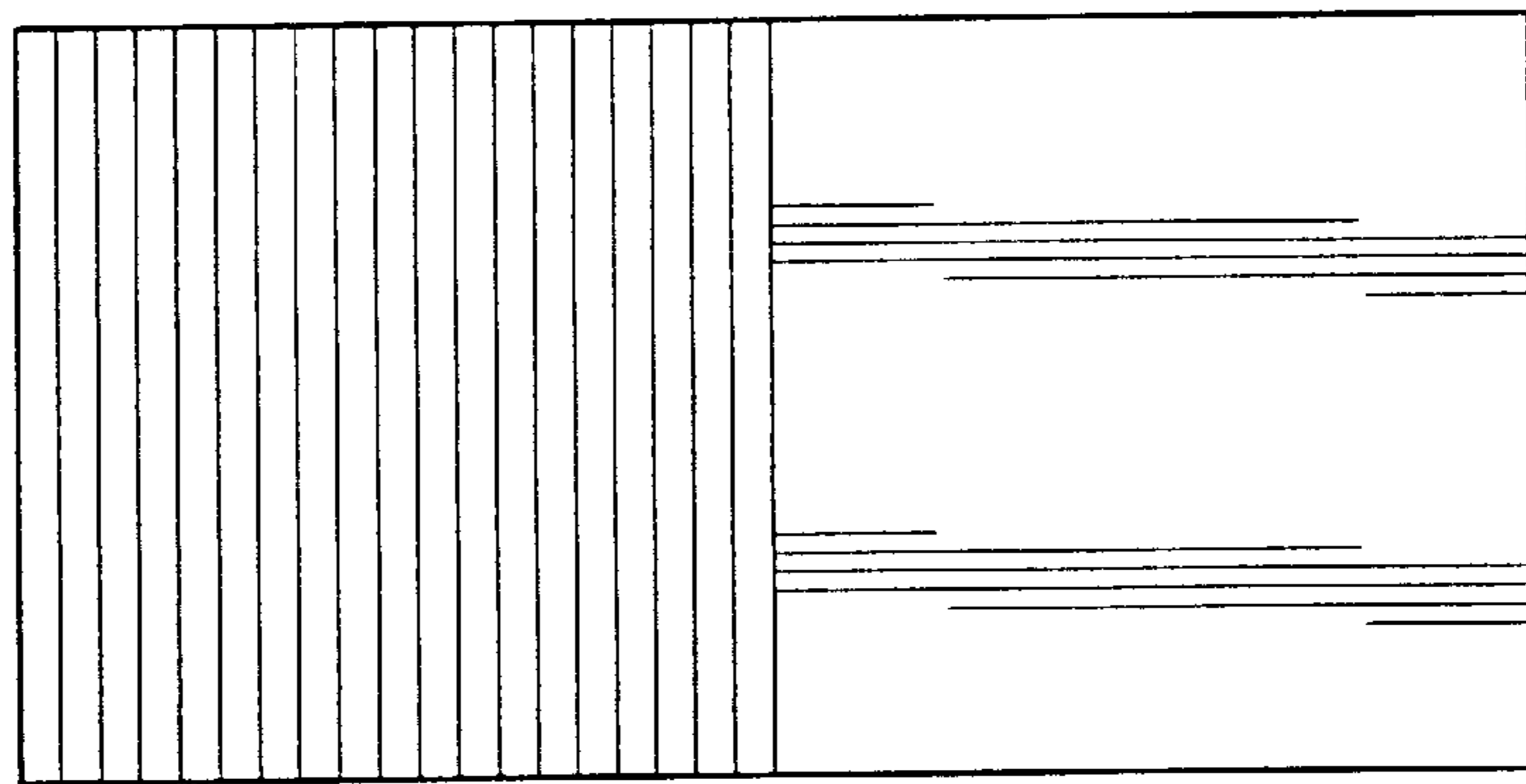


Fig-2

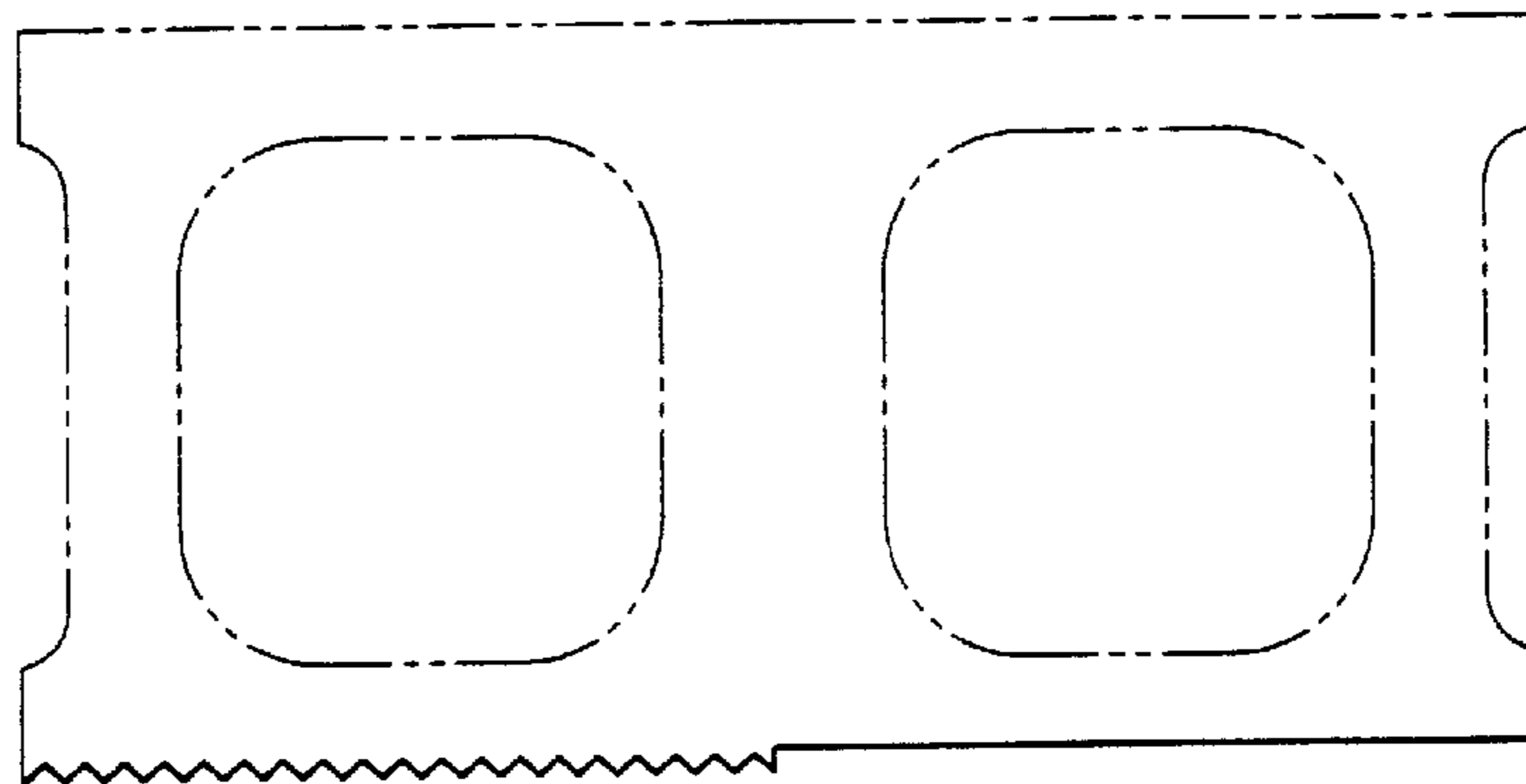


Fig-3

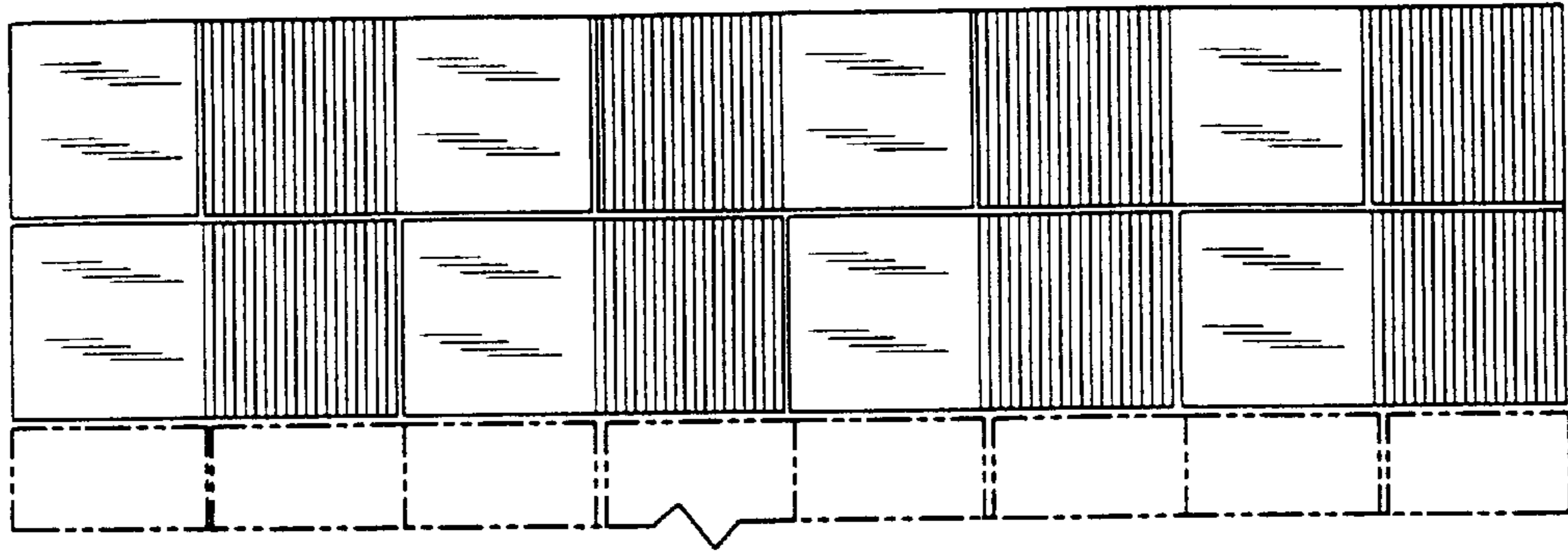


Fig-4

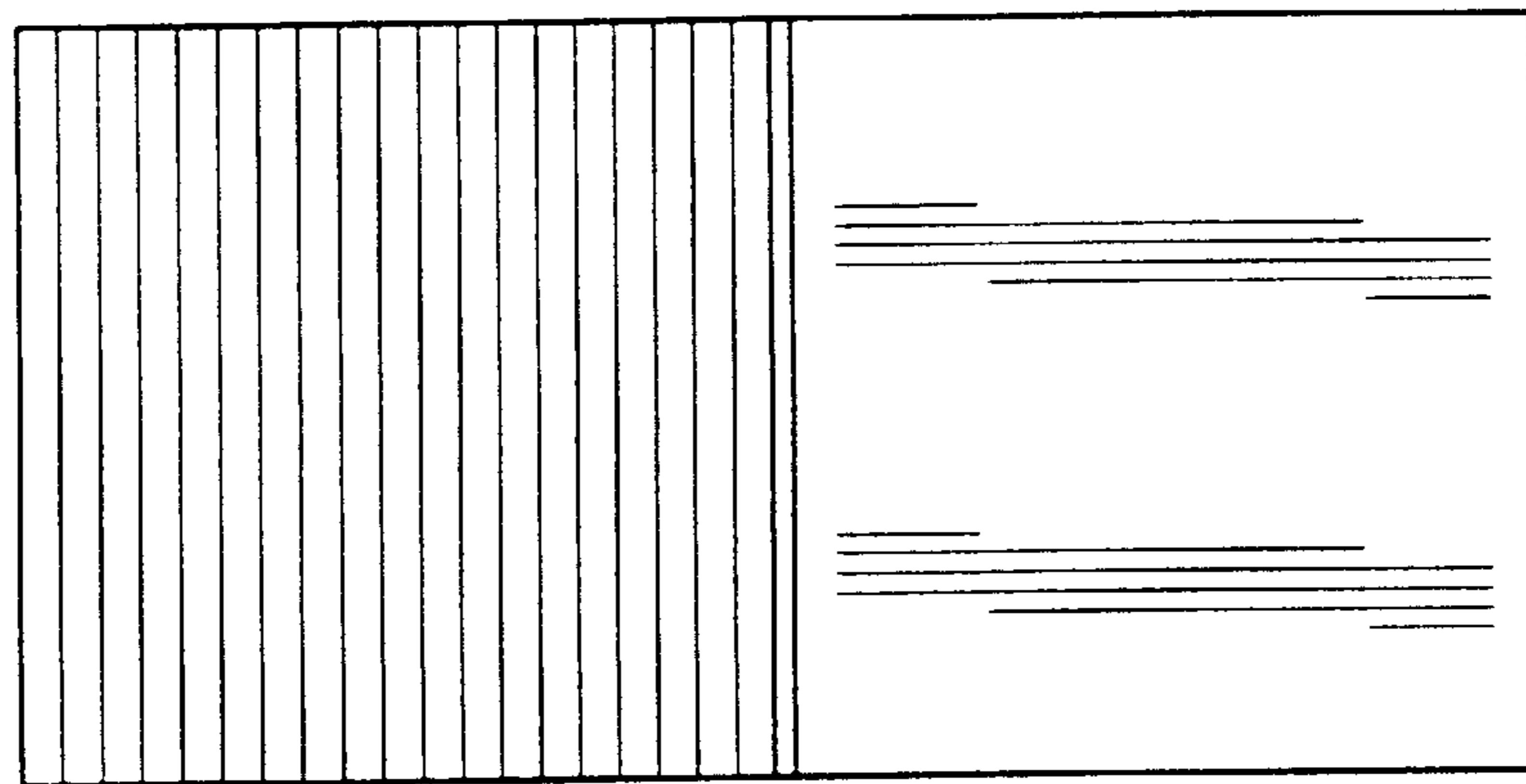


Fig-5

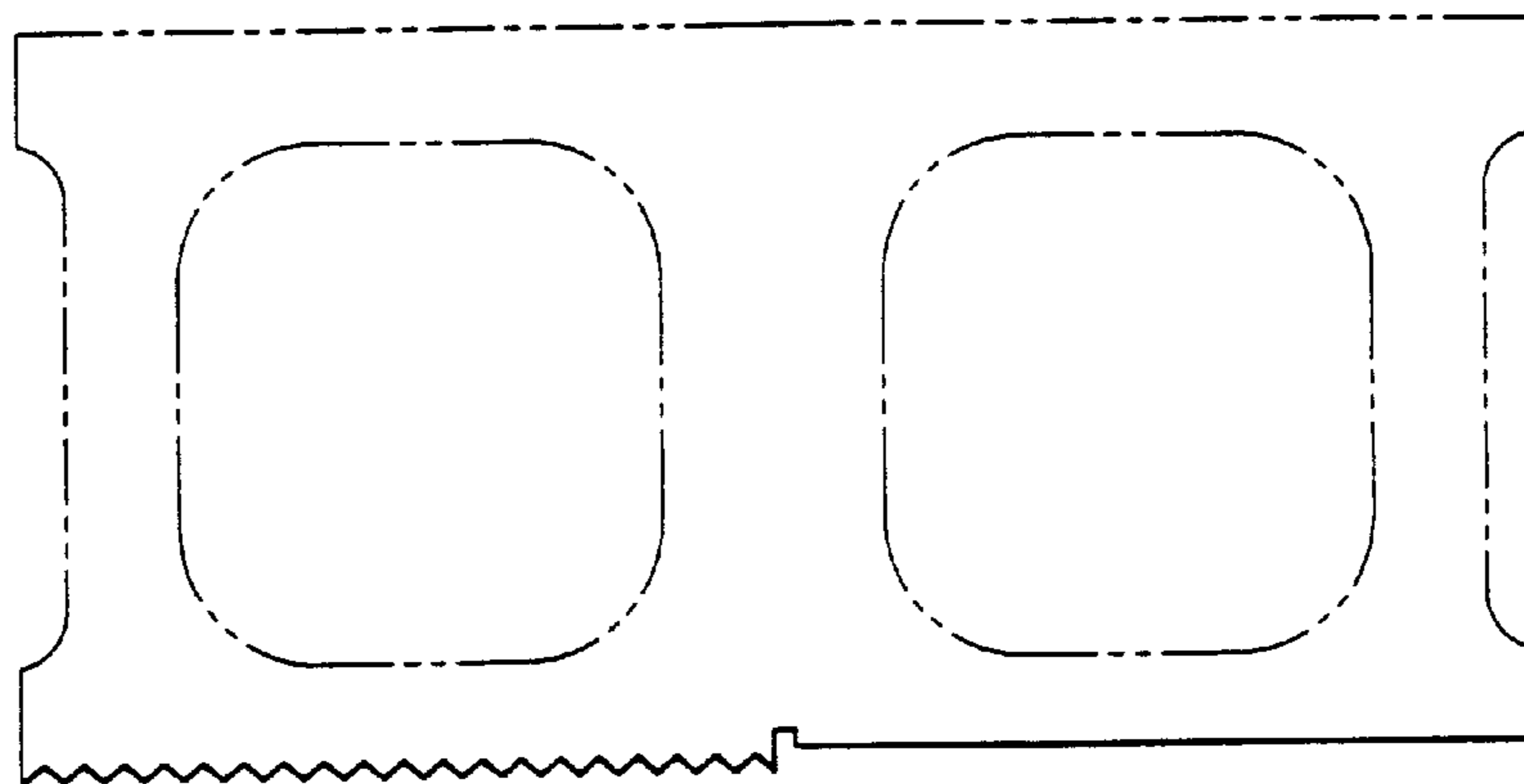


Fig-6