



US00D487156S

(12) **United States Design Patent**
Hein et al.

(10) **Patent No.:** **US D487,156 S**

(45) **Date of Patent:** **** Feb. 24, 2004**

(54) **THREE WAY; 2-90° INSIDE, 1-135° OUTSIDE, BULLNOSE CORNER**

(75) Inventors: **Lewis J. Hein**, Alpine, CA (US);
Derrell J. Weldy, Campo, CA (US);
Michael D. Weldy, Campo, CA (US)

(73) Assignee: **Pla-Cor, Incorporated**, Santee, CA (US)

(**) Term: **14 Years**

(21) Appl. No.: **29/175,858**

(22) Filed: **Feb. 11, 2003**

(51) **LOC (7) Cl.** **25-01**

(52) **U.S. Cl.** **D25/102**

(58) **Field of Search** D25/102, 199;
52/287.1, 242, 288.1, 717.06, 254, 255;
D8/354

(56) **References Cited**

U.S. PATENT DOCUMENTS

168,207 A 9/1875 Atherton
1,198,133 A 9/1916 Jennings
1,250,594 A 12/1917 Knapp

(List continued on next page.)

FOREIGN PATENT DOCUMENTS

AU 245619 4/1963
CA 598431 5/1960
CA 633108 12/1961
CA 858168 12/1970
CH 392025 9/1965
DE 844055 7/1952
DE 3238312 3/1984
EP 0638697 2/1995
EP 0638698 2/1995
GB 2056523 3/1981
GB 2166771 5/1986
GB 2173529 10/1986
WO WO 91/07276 5/1991

OTHER PUBLICATIONS

International Preliminary Examination Report for International Application No. PCT/US90/06586, Mailed on Feb. 25, 1992.

‘American Builder’ p. B7, Apr. 1957.

‘Bead and Trim, Edge-Wise’, Mark Johnson, pp. 36, 38 & 40, Walls & Ceilings, May 2000.

Unimast Incorporated advertisement on p. 29, Walls & Ceilings, Jun. 1994.

Amico advertisement on p. 59, Walls & Ceilings, Apr. 1993.

A page from a molding catalogue, title and source unknown date: not later than 1994.

2 pages from a molding catalogue, title and source unknown, date: not later than 1993.

A page from a molding catalogue, title and source unknown, date: not later than 1992.

A page from Amico catalogue, title unknown, 1994.

Flannery, Inc. catalogue ‘New from Flannery—Flannery, PVC, Vinal, Bullnose’, 1990.

Pittcon industries, Inc. catalogue, ‘Pittcon Industries, Inc.—Shaping the Future’, 1986.

(List continued on next page.)

Primary Examiner—Doris V. Clark

(74) *Attorney, Agent, or Firm*—Brown, Martin, Haller & McClain LLP

(57) **CLAIM**

The ornamental design for a “three way; 2-90° inside, 1-135° outside, bullnose corner”, as shown and described.

DESCRIPTION

FIG. 1 is a front, side, and end perspective view of a three way; 2-90° inside, 1-135° outside bullnose corner showing our new design, the opposite end is identical;

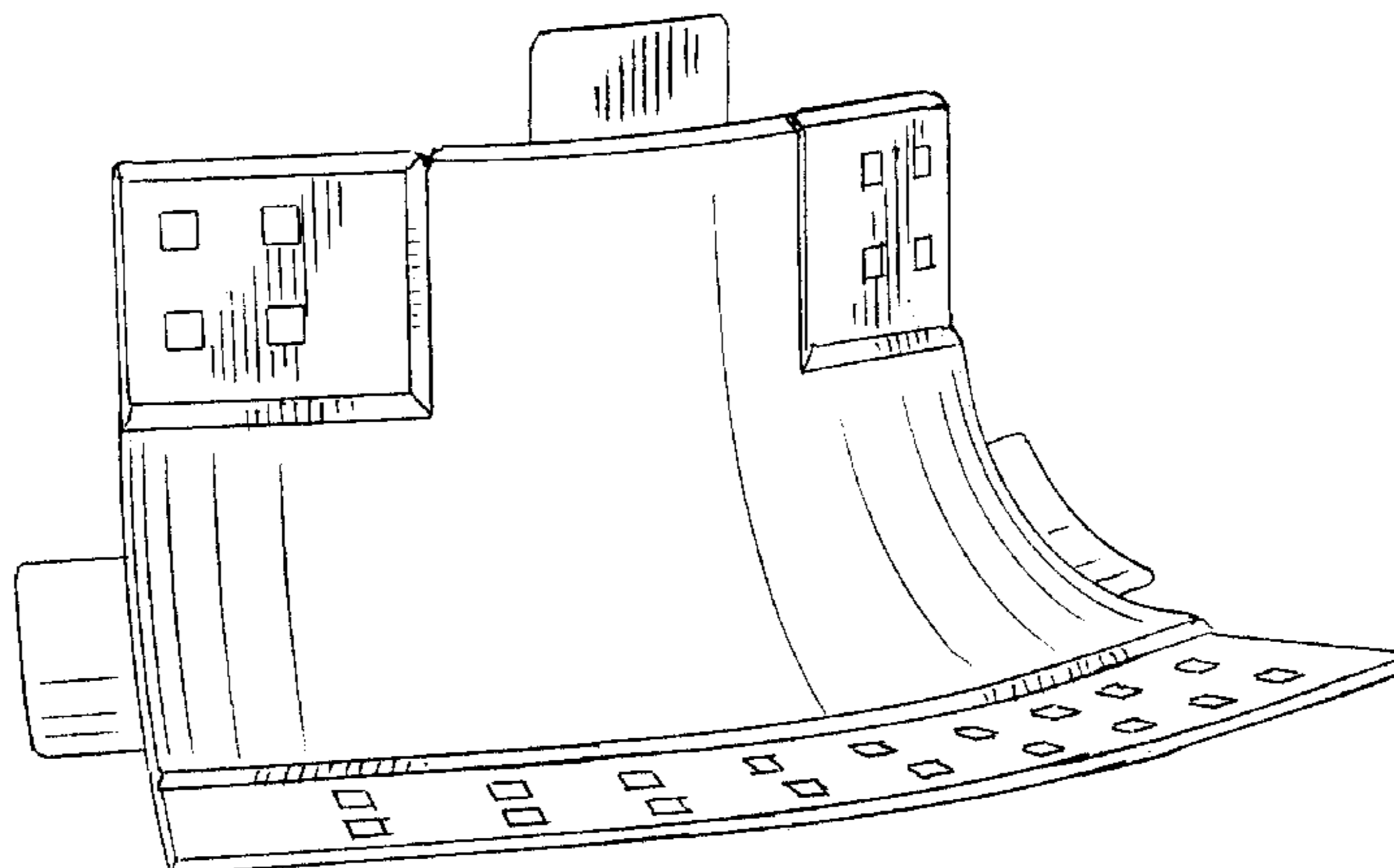
FIG. 2 is a front elevational view thereof;

FIG. 3 is a top plan view thereof;

FIG. 4 is a front, end, and side perspective view showing a second embodiment of our new design; and,

FIG. 5 is top plan view showing a third embodiment of our new design.

1 Claim, 2 Drawing Sheets



U.S. PATENT DOCUMENTS

1,449,745 A	3/1923	Clapp	5,138,810 A	8/1992	Kartler
1,988,739 A	1/1935	Jones	RE34,547 E	2/1994	Weldy
2,090,588 A	8/1937	Witsell	D351,988 S	11/1994	Gotcher
2,114,044 A	4/1938	Bonnell	5,440,776 A	8/1995	Kartler
2,121,213 A	6/1938	Small	5,442,886 A	8/1995	Iacobelli
2,190,811 A	2/1940	Van Zeeland	5,505,032 A	4/1996	Wasserman et al.
2,274,662 A	3/1942	Briggs et al.	5,531,050 A	7/1996	Stibolt et al.
2,311,345 A	2/1943	Mitchell	5,531,051 A	7/1996	Chenier, Jr. et al.
2,593,859 A	4/1952	Dunlap	5,544,463 A	8/1996	Bergin
2,821,754 A	2/1958	Hillson	5,644,892 A	7/1997	Smythe, Jr.
2,904,992 A	9/1959	Cruser	5,647,182 A	7/1997	Rutherford
2,921,352 A	1/1960	Pfeifle	5,699,638 A	12/1997	Maylon
2,957,192 A	10/1960	Faughnder	D398,405 S *	9/1998	Beard, Jr. D25/102
3,008,273 A	11/1961	Widin	D402,879 S *	12/1998	Beard, Jr. D8/354
3,201,908 A	8/1965	Arnold	6,216,407 B1 *	4/2001	LeBlanc 52/287.1
3,203,517 A	8/1965	Stein			
3,255,561 A	6/1966	Cable			
3,398,494 A	8/1968	Larson			
3,559,356 A	2/1971	Koral			
3,608,944 A	9/1971	Turner			
3,712,003 A	1/1973	Hallock et al.			
3,744,079 A	7/1973	Krause			
3,989,397 A	11/1976	Baker			
4,012,878 A	3/1977	Ellingson			
4,074,478 A	2/1978	Rutherford			
4,150,517 A	4/1979	Warner, Sr.			
4,198,455 A	4/1980	Spiro et al.			
4,288,016 A	9/1981	Failla et al.			
4,313,991 A	2/1982	Lamb			
4,315,390 A	2/1982	Schaafsma			
4,430,833 A	2/1984	Balzer et al.			
4,495,668 A	1/1985	Adams			
4,569,171 A	2/1986	Kuhr et al.			
4,654,919 A	4/1987	Liberman			
4,722,153 A	2/1988	Hardy			
D299,273 S	1/1989	Pittman, Jr.			
4,852,318 A	8/1989	Anderson			
4,863,774 A	9/1989	Tucker			
4,876,837 A	10/1989	Kelly et al.			
4,912,899 A	4/1990	Plasker et al.			
5,018,956 A	5/1991	Lemaster			
5,045,374 A	9/1991	Tucker			
5,048,247 A	9/1991	Weldy			
5,086,598 A	2/1992	Weldy			

OTHER PUBLICATIONS

Pla-Cor Corporation catalogue, 'PLA-COR 2000—The Professional's Choice—10th Anniversary PLA-COR® Plastic Corner Bead Systems', 1999.

Pla-Cor, Incorporated catalogue, 'PLA-COR® Plastic Corner Bead System—The proven, patented Alternative to Metal & PVC Corner Bead Products', 1996.

Pla-Cor, Inc. catalogue, 'PLA-COR® Plastic Corner Bead System—Your cost-Efficient, Rust-Proof Resilient & Durable Alternative', 1995.

Pla-Cor, Inc. catalogue, 'PLA-COR™ Plastic Corner Bead System', 1992.

Blue Diamond Drywall, Inc. leaflet, 'PLA-COR® Plastic Corner Beads—PLA-COR® Products', date unknown.

Trim-Tex, Inc. catalogue, 'TRIM-TEX INC. —Drywall Products, 2002–2003 Catalogue'.

Trim-Tex, Inc. Catalogue, 'TRIM-TEX INC—Rigid Vinyl Drywall Accessories, 2000–2001 Catalogue'.

Trim-Tex, Inc. leaflet, 'Another New Product Innovation From TRIM-TEX—Bulladapter for Baseboard, ¾" & 1½" Radius Bullnose', date: not later than 1995.

Trim-Tex, Inc. catalogue, 'TRIM-TEX, Inc.®—Manufacture and Extruder of Rigid Vinyl Drywall Accessories for 25 years, Apr. 1993'.

* cited by examiner

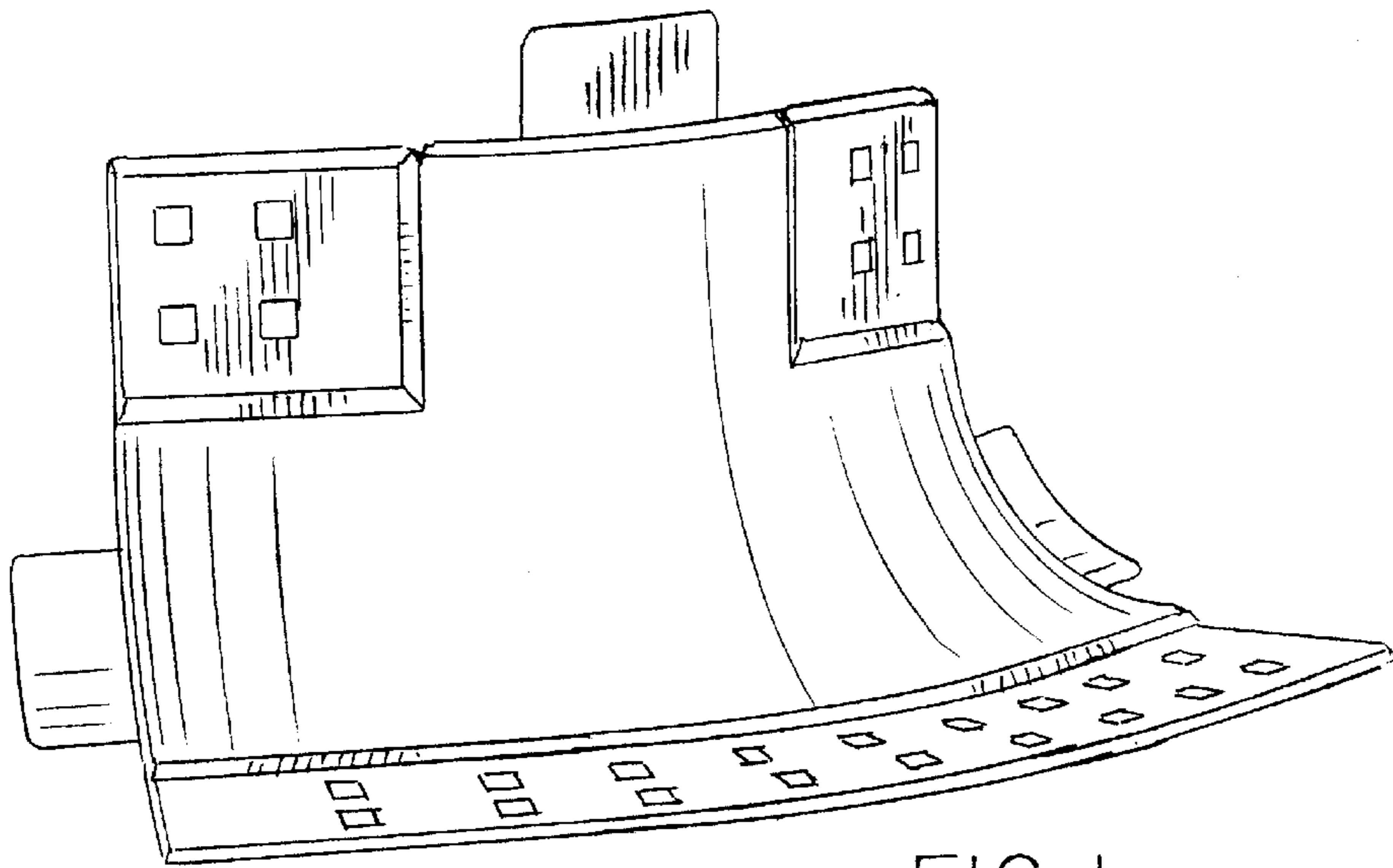


FIG. 1

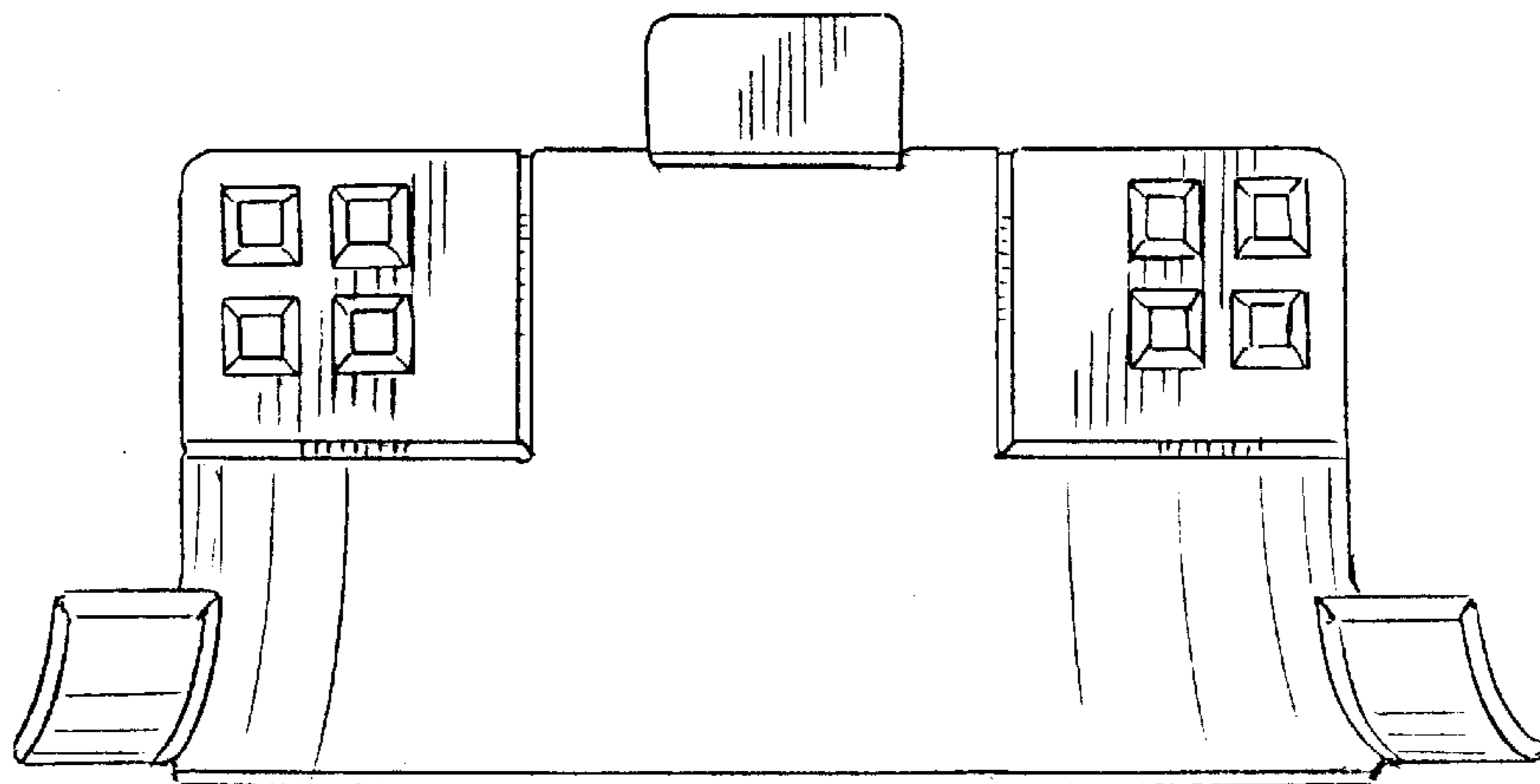


FIG. 2

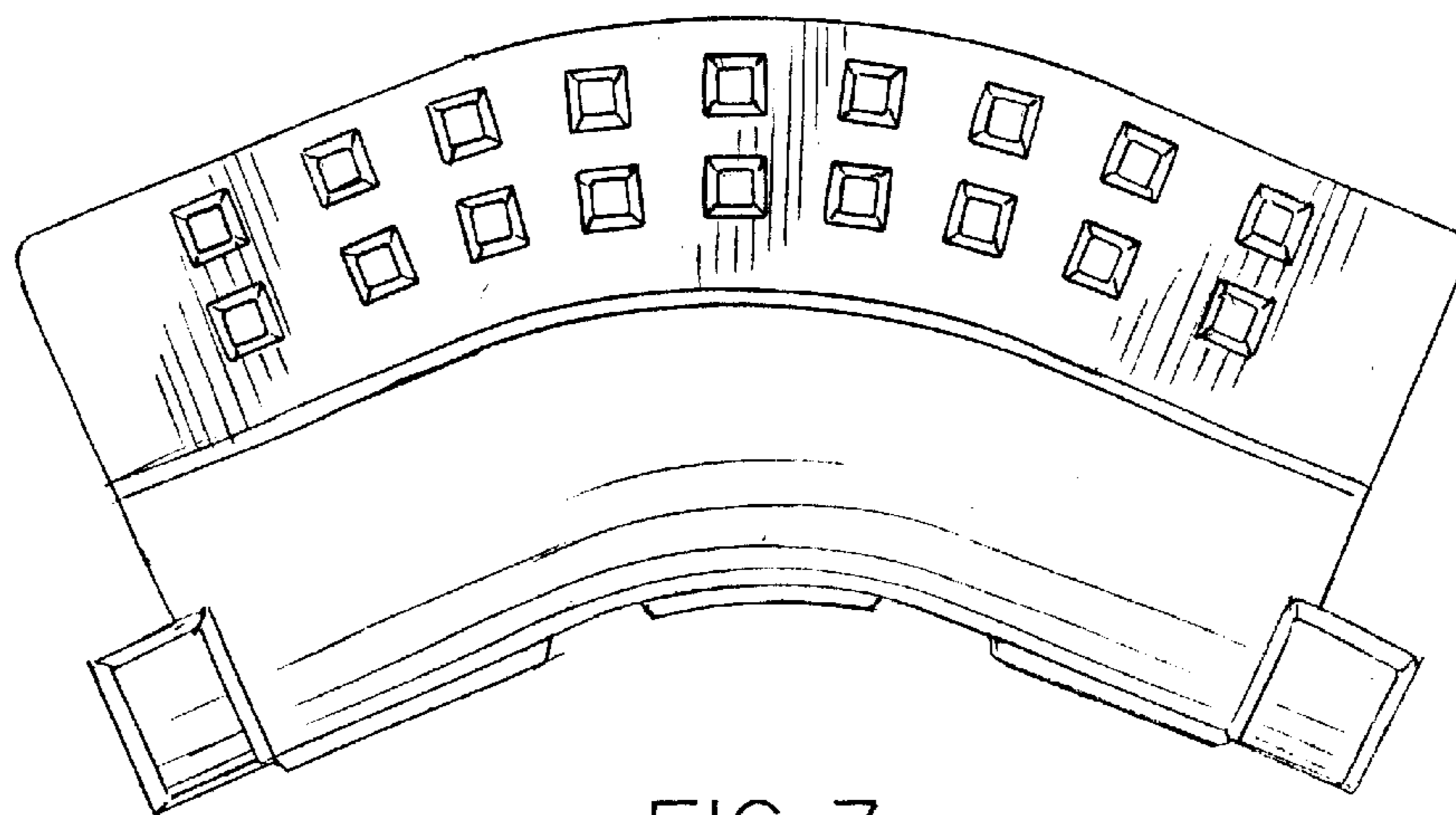


FIG. 3

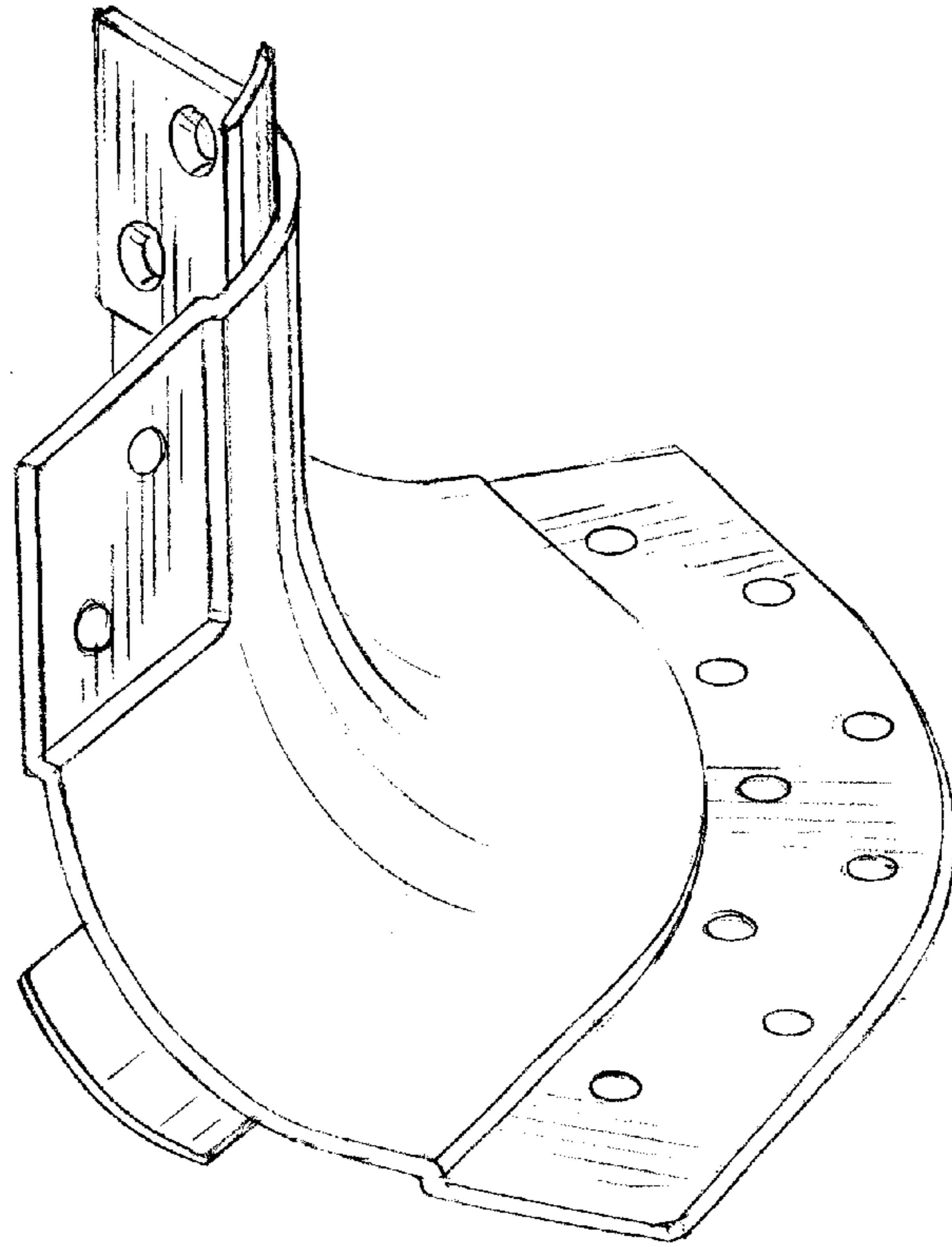


FIG. 4

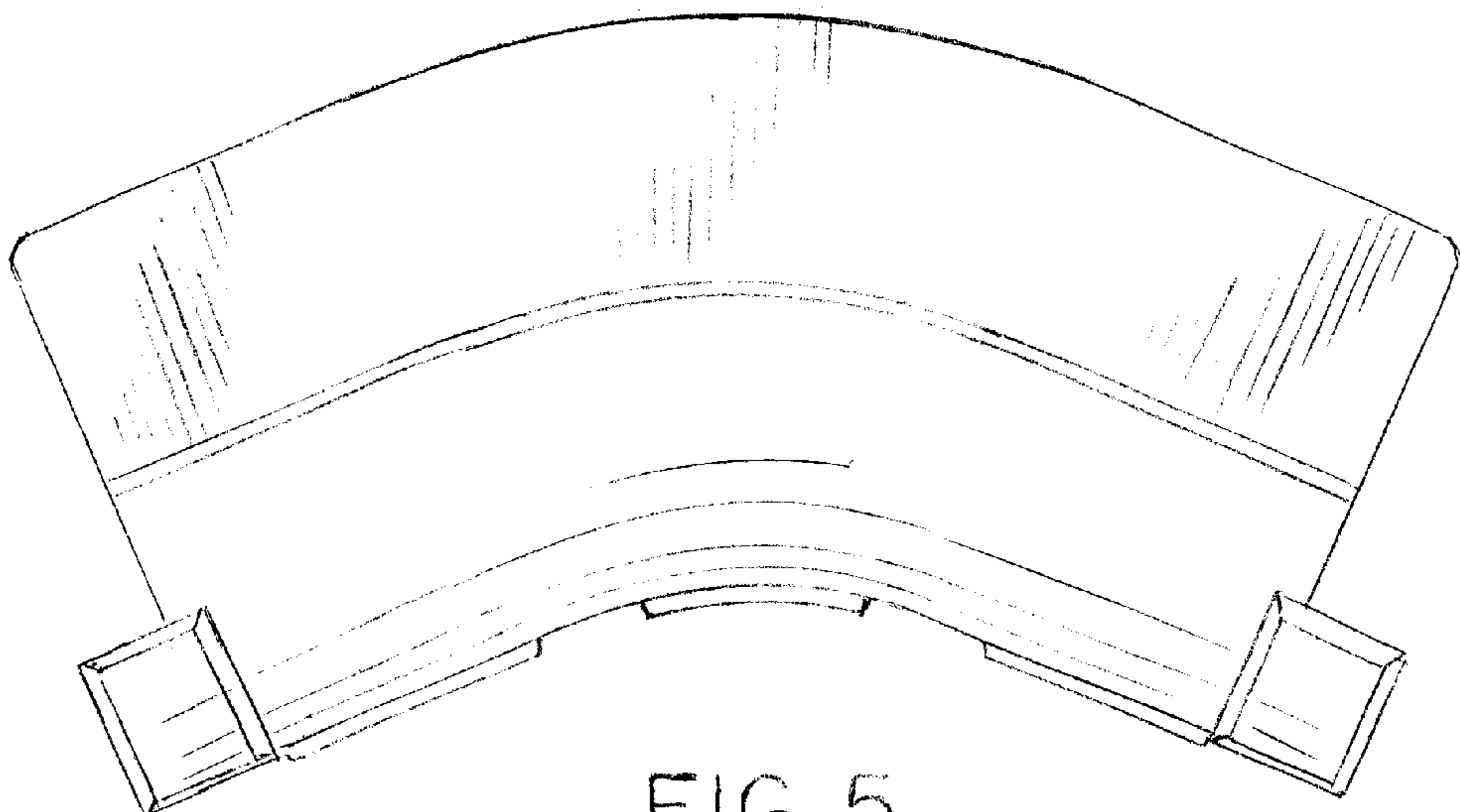


FIG. 5