



US00D487154S

(12) **United States Design Patent** (10) **Patent No.:** **US D487,154 S**
Cook et al. (45) **Date of Patent:** **** Feb. 24, 2004**

(54) **STIMULATOR FOR HAIR OR SKIN**

6,119,038 A 9/2000 Cook
D437,938 S * 2/2001 Ko et al. D24/200

(75) Inventors: **Stuart A. Cook**, Duluth, GA (US);
Bruno Gimelli, Zollikofen (CH);
James N. Doyle, Jr., Westlake, OH
(US)

FOREIGN PATENT DOCUMENTS

WO WO 90/04997 11/1989

OTHER PUBLICATIONS

(73) Assignee: **Proventure (Far East), Limited**, Hong Kong (HK)

U.S. patent application Ser. No. 29/166,653, Cook et al., filed Aug. 29, 2002.

(**) Term: **14 Years**

U.S. patent application Ser. No. 29/166,561, Cook et al., filed Aug. 29, 2003.

(21) Appl. No.: **29/179,039**

U.S. patent application Ser. No. 29/166,562, Cook et al., filed Aug. 29, 2003.

(22) Filed: **Apr. 3, 2003**

U.S. patent application Ser. No. 29/179,038, Cook et al., filed Apr. 3, 2003.

(51) **LOC (7) Cl.** **24-04**

(52) **U.S. Cl.** **D24/200**

(58) **Field of Search** D24/200; 607/3,
607/20, 115, 150, 153; 601/95

* cited by examiner

Primary Examiner—Stella Reid

(74) *Attorney, Agent, or Firm*—Andrew Y. Pang; Nexsen Pruet Jacobs & Pollard, LLC

(56) **References Cited**

U.S. PATENT DOCUMENTS

- 4,153,726 A 5/1979 Borggreffe et al.
- 4,323,073 A 4/1982 Ferris
- 4,590,069 A 5/1986 Deckner et al.
- 4,760,096 A 7/1988 Sakai et al.
- 4,847,083 A 7/1989 Clark
- 4,975,218 A 12/1990 Rosser
- 5,069,211 A 12/1991 Bartelt et al.
- 5,251,637 A 10/1993 Shalvi
- 5,514,167 A 5/1996 Smith et al.
- 5,788,657 A * 8/1998 Burns 601/134
- D412,752 S * 8/1999 Forbes D24/211
- 5,931,859 A 8/1999 Burke
- D414,582 S * 9/1999 Hwang D28/9
- 5,995,869 A 11/1999 Cormier et al.
- 6,007,502 A 12/1999 Lee

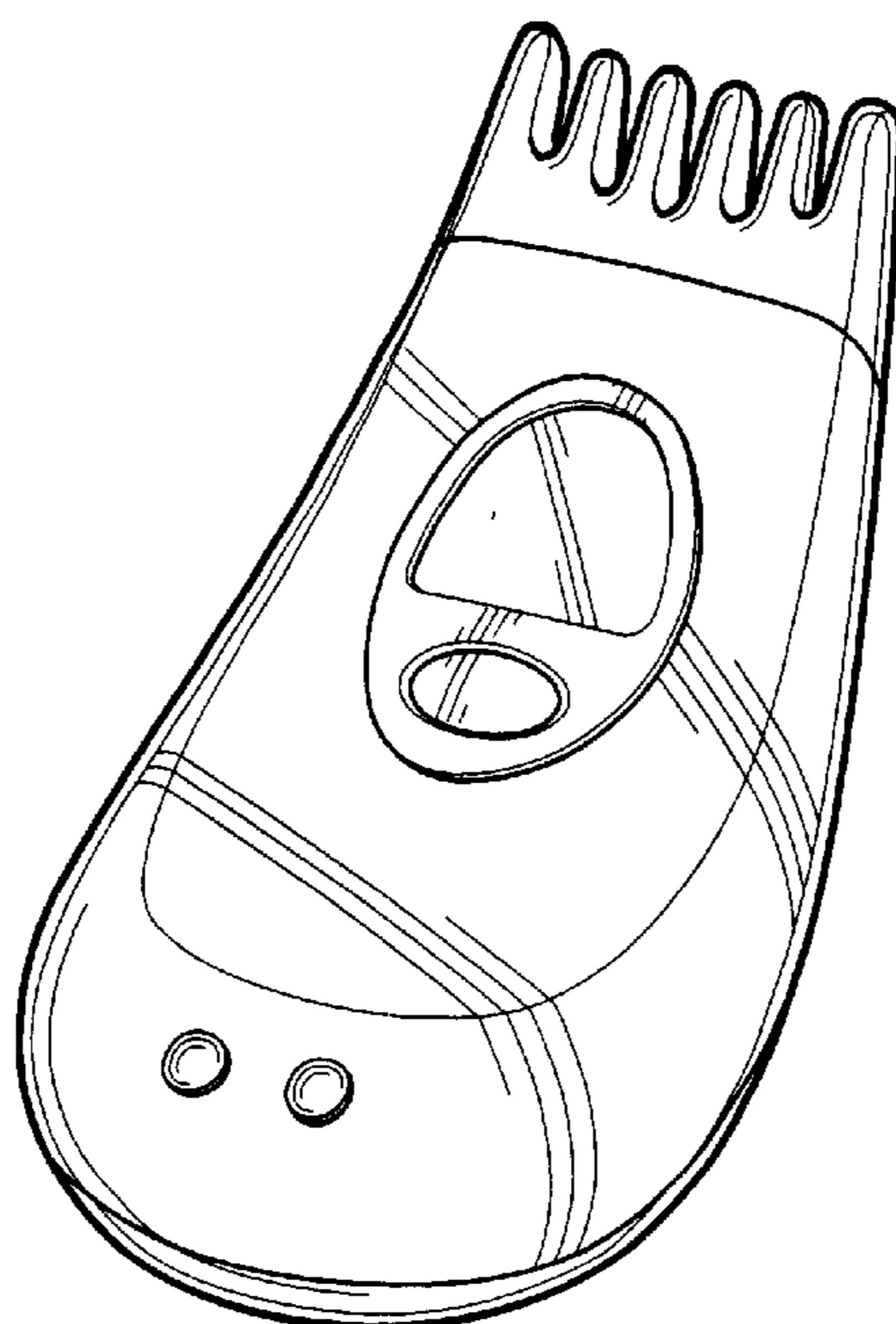
(57) **CLAIM**

The ornamental design for a stimulator for hair or skin, as shown and described.

DESCRIPTION

FIG. 1 is a front perspective view of a stimulator for hair or skin of the present invention;
FIG. 2 is a rear perspective view thereof;
FIG. 3 is a front end view thereof;
FIG. 4 is a rear end view thereof;
FIG. 5 is a left side view thereof;
FIG. 6 is a top view thereof; and,
FIG. 7 is a bottom view thereof.

1 Claim, 2 Drawing Sheets



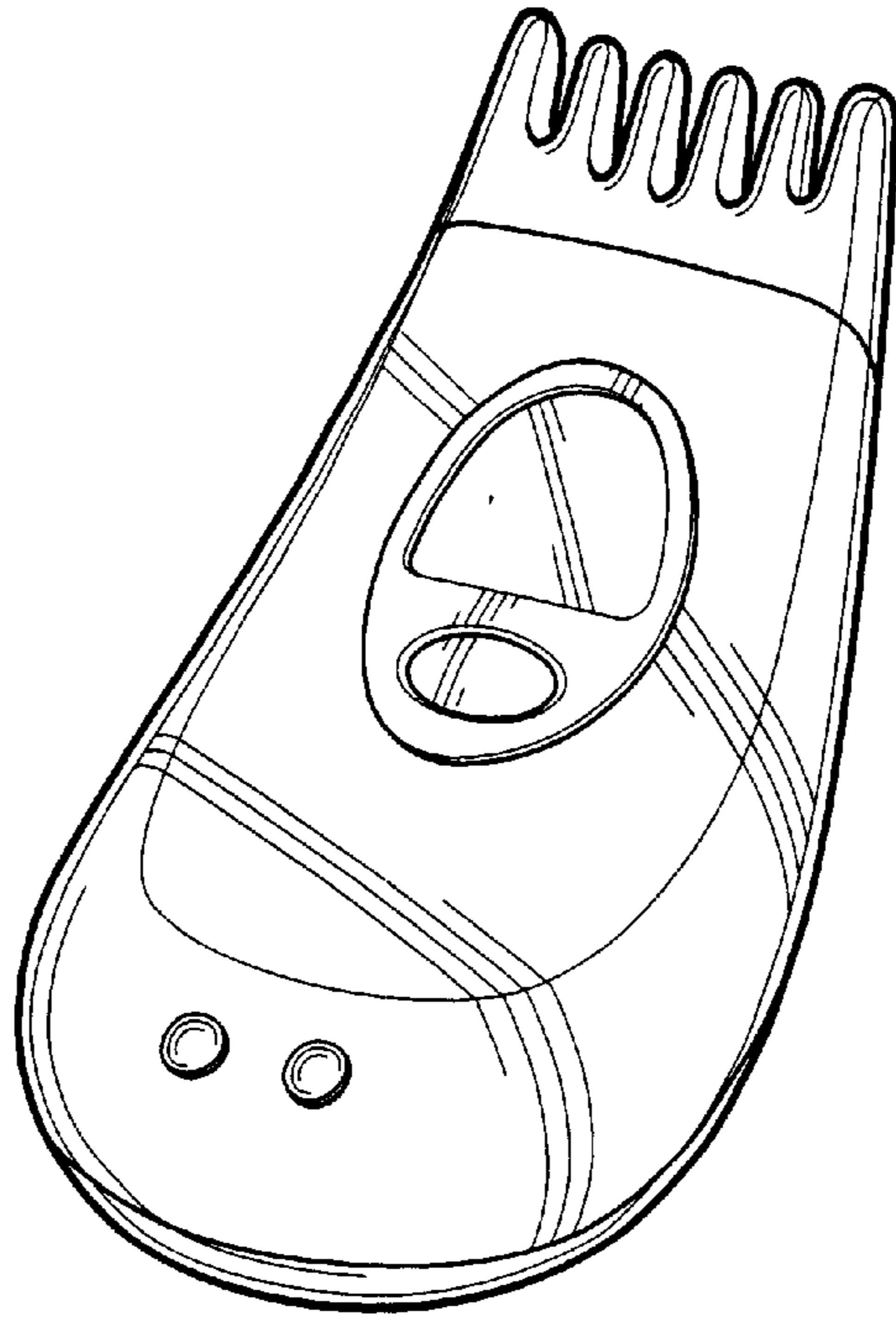


FIG. 1

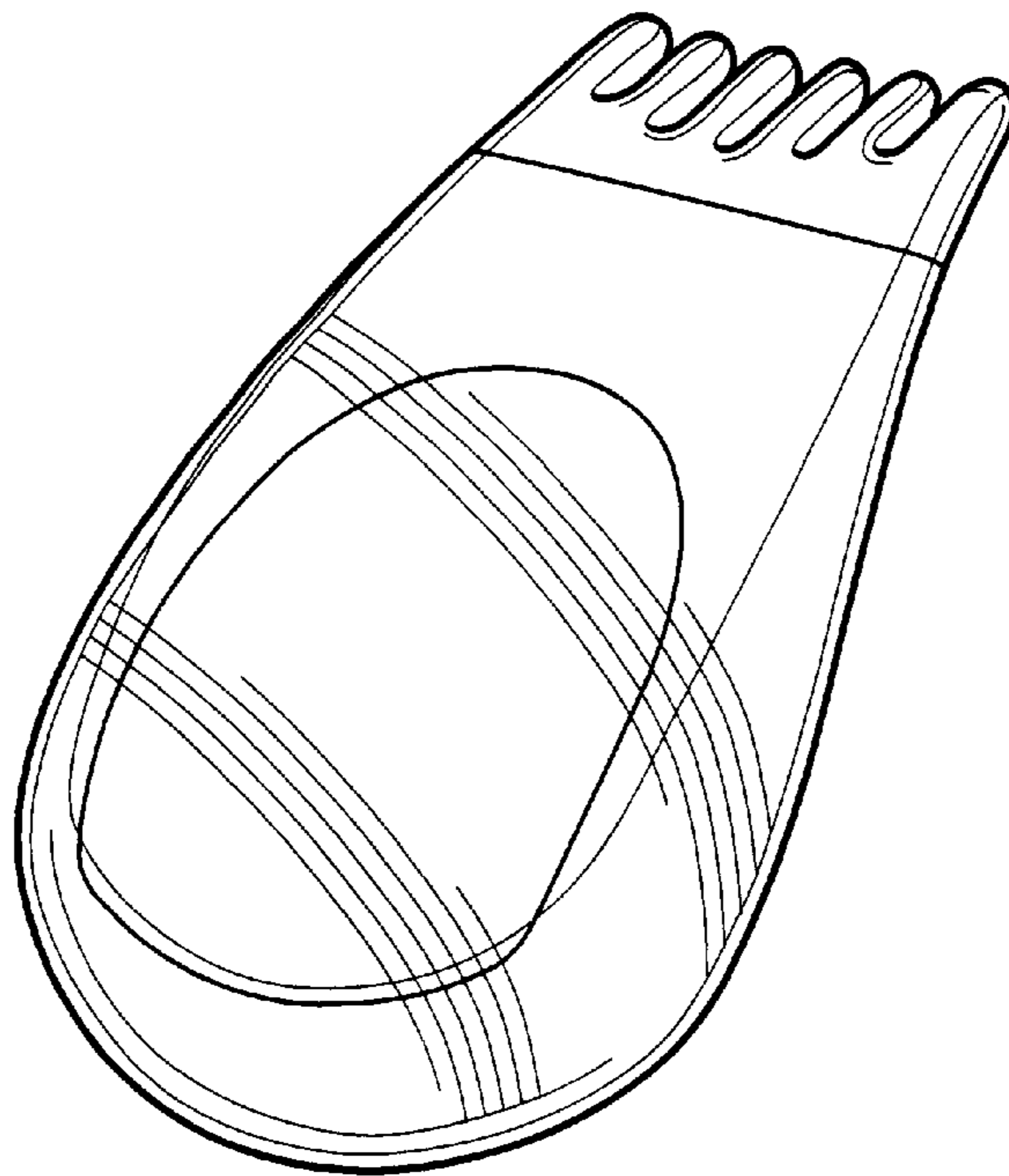


FIG. 2

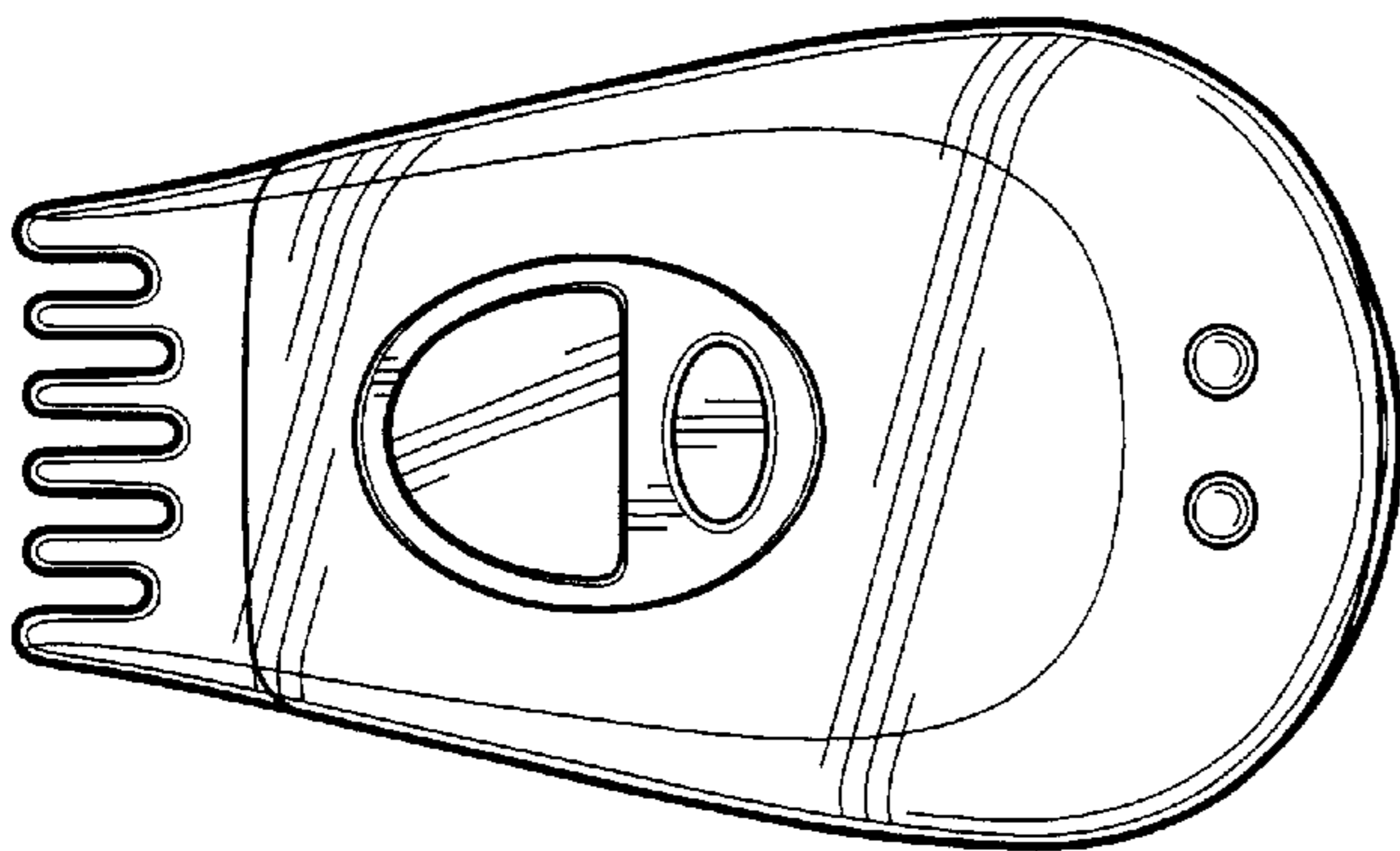


FIG. 3

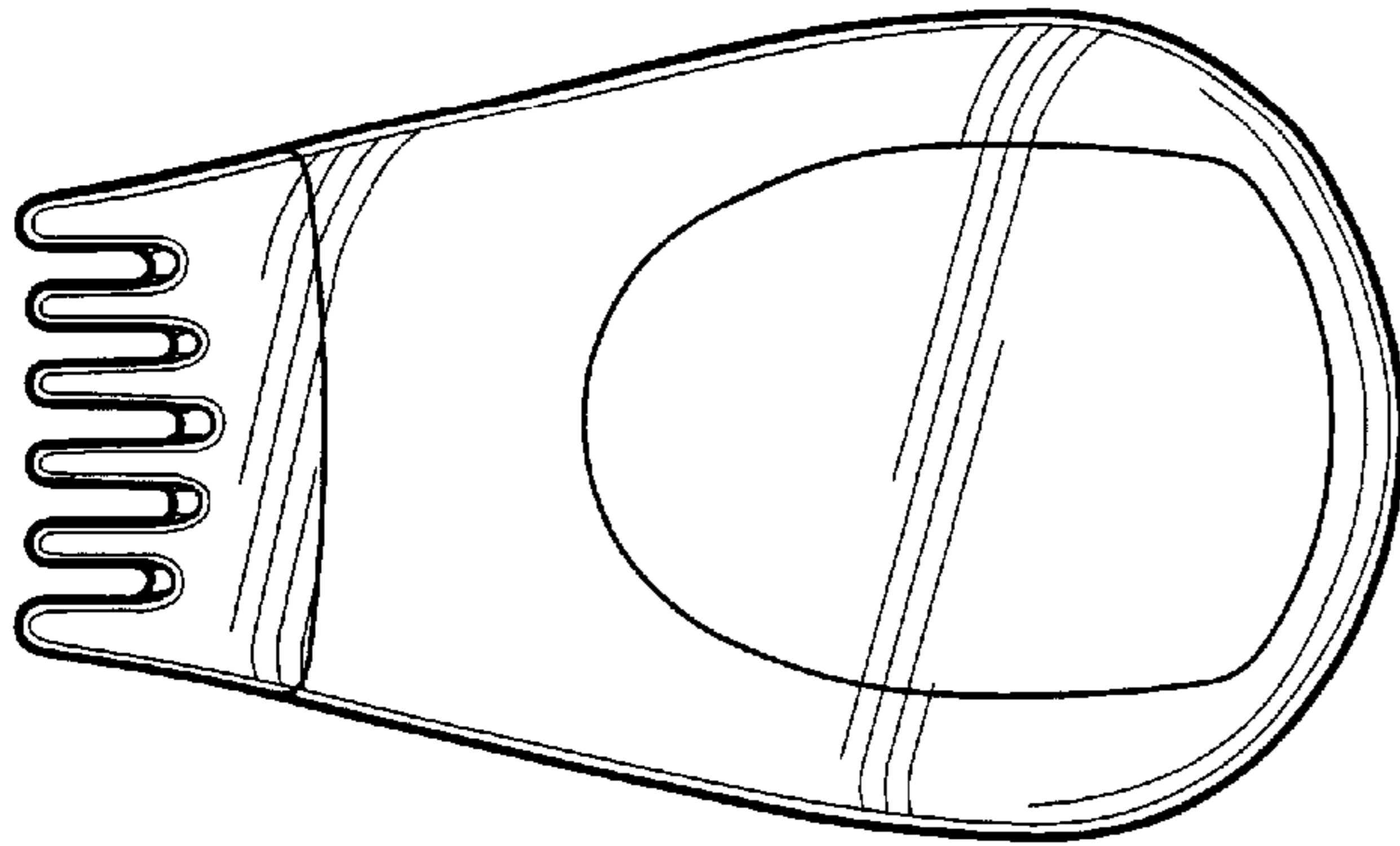


FIG. 4

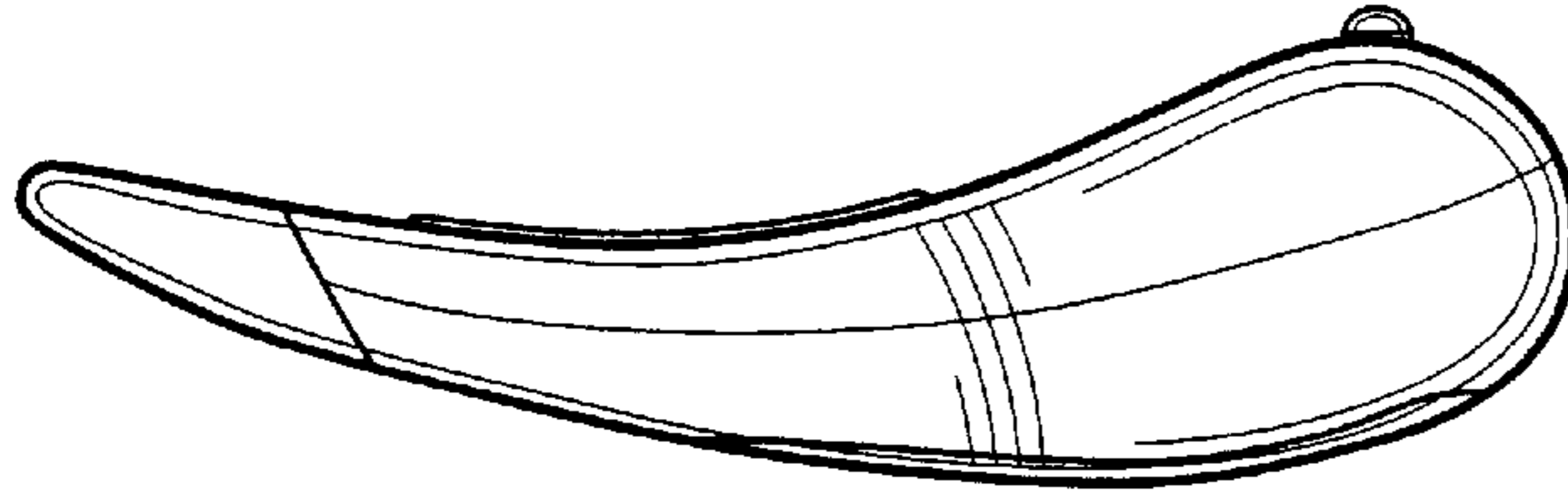


FIG. 5

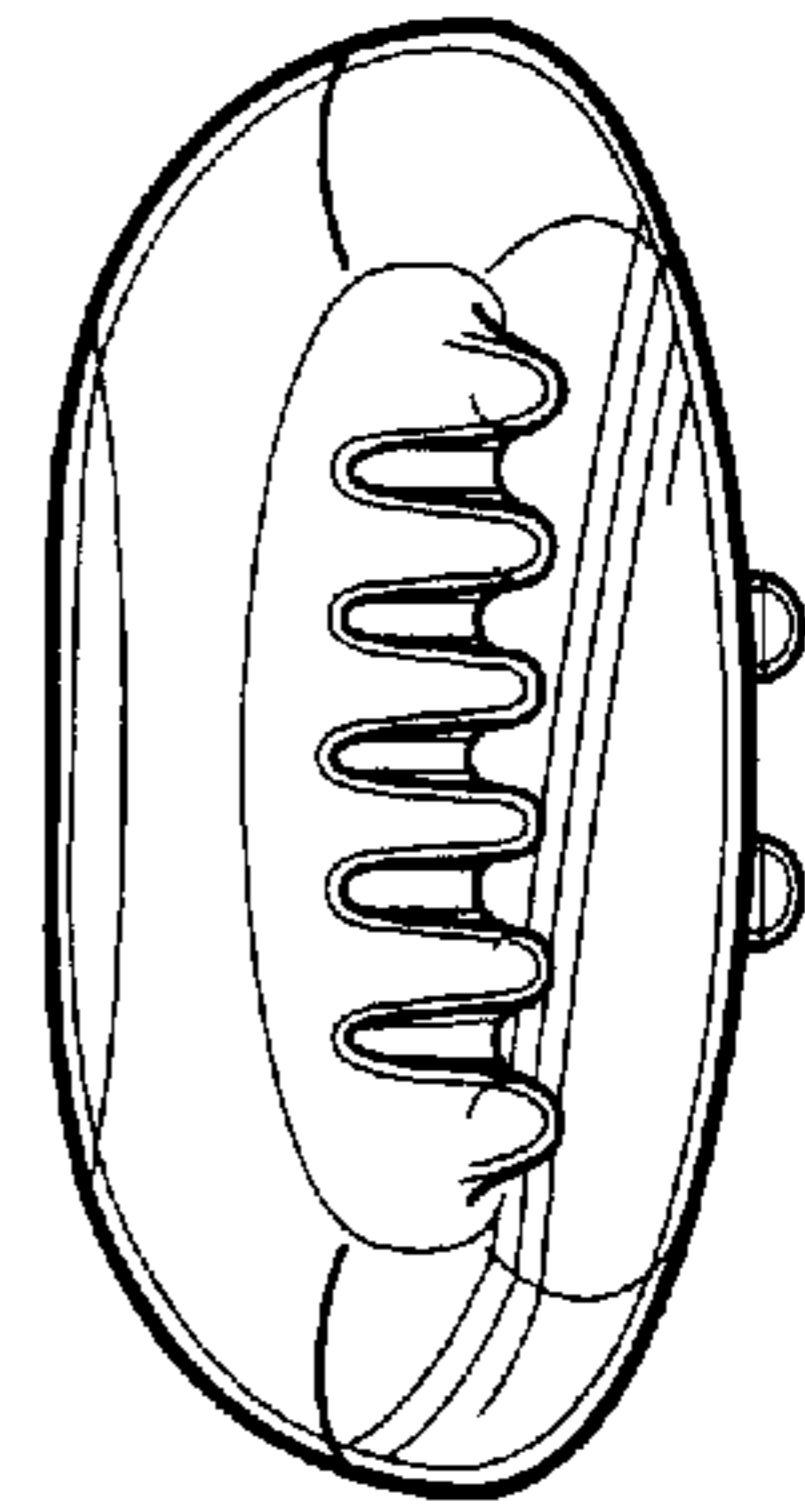


FIG. 6

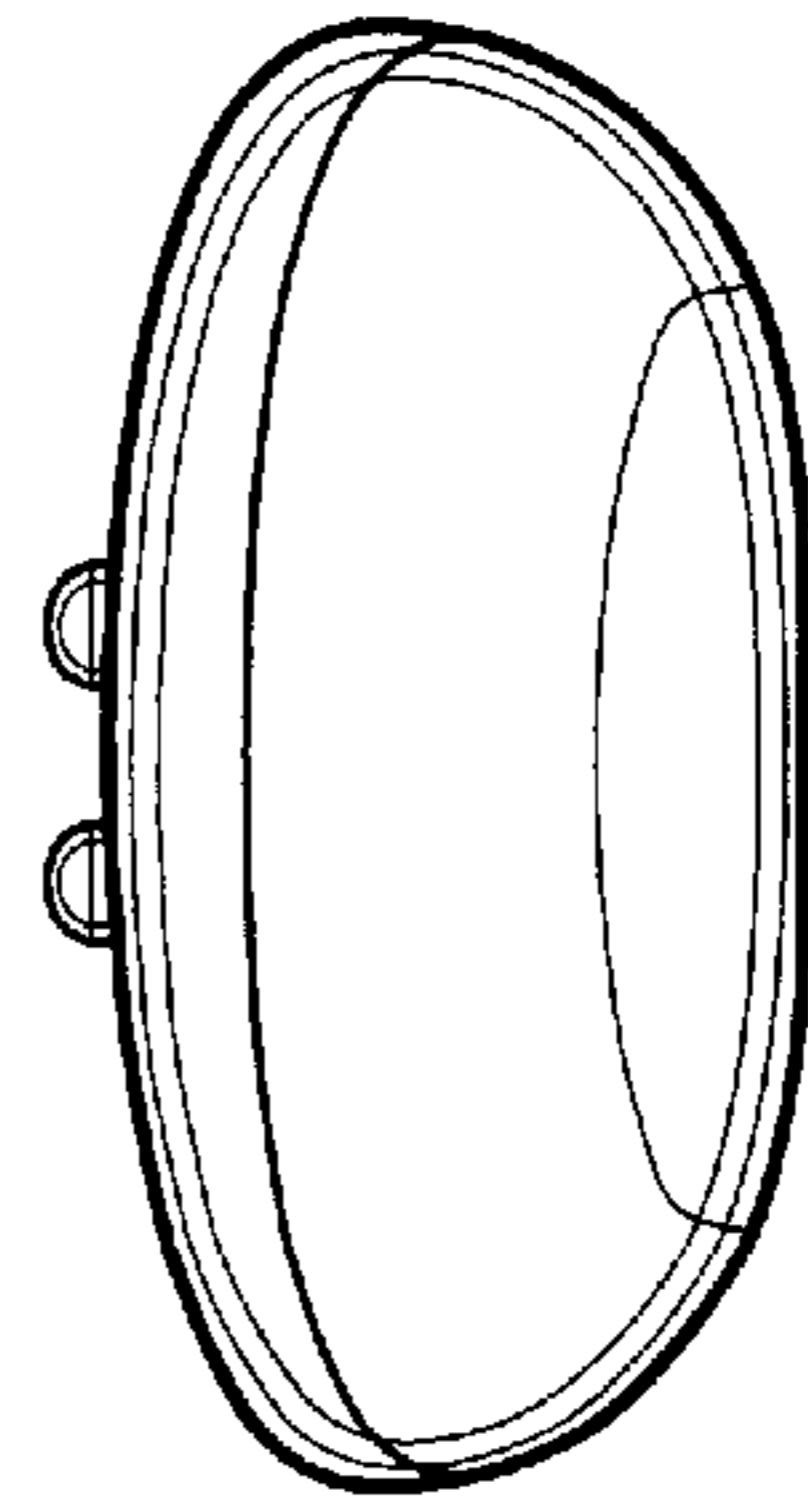


FIG. 7