



US00D487149S

(12) **United States Design Patent**  
**Farris**

(10) **Patent No.:** **US D487,149 S**

(45) **Date of Patent:** **\*\* Feb. 24, 2004**

(54) **INTEGRATED SPIKE AND SYRINGE**

6,221,056 B1 \* 4/2001 Silverman ..... 604/167.02

(76) Inventor: **Barry Farris**, P.O. Box 1817, Zephyr Cove, NV (US) 89948

\* cited by examiner

(\*\*) Term: **14 Years**

*Primary Examiner*—Ian Simmons

(74) *Attorney, Agent, or Firm*—Bernhard Kreten

(21) Appl. No.: **29/134,841**

(57) **CLAIM**

(22) Filed: **Dec. 29, 2000**

The ornamental design for an integrated spike and syringe, as shown and described.

(51) **LOC (7) Cl.** ..... **24-02**

**DESCRIPTION**

(52) **U.S. Cl.** ..... **D24/130; D24/112**

(58) **Field of Search** ..... D24/112, 130, D24/222, 114, 113, 108; 604/411, 412, 264, 88, 905, 170, 239, 240, 272, 167.02, 283

FIG. 1 is a perspective view of an integrated spike and syringe showing my new design.

FIG. 2 is a side view, the opposite side being a mirror image thereof.

FIG. 3 is a top view thereof, the bottom being a mirror image.

FIG. 4 is a front view thereof; and,

FIG. 5 is an enlarged view of the FIG. 4 tip.

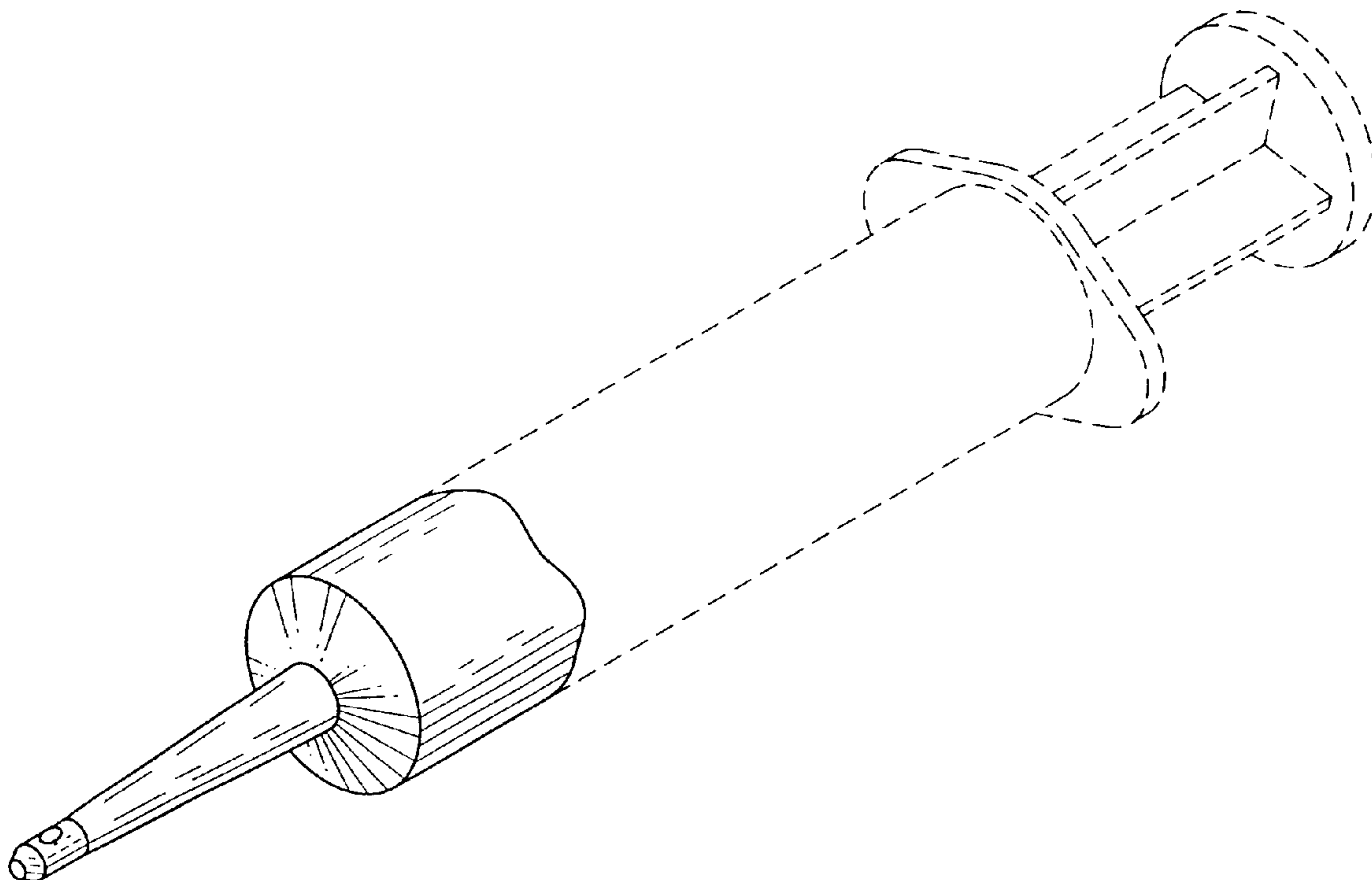
The broken-line showing of environmental structure in FIGS. 1 through 4 is for illustrative purposes only and forms no part of the claimed design.

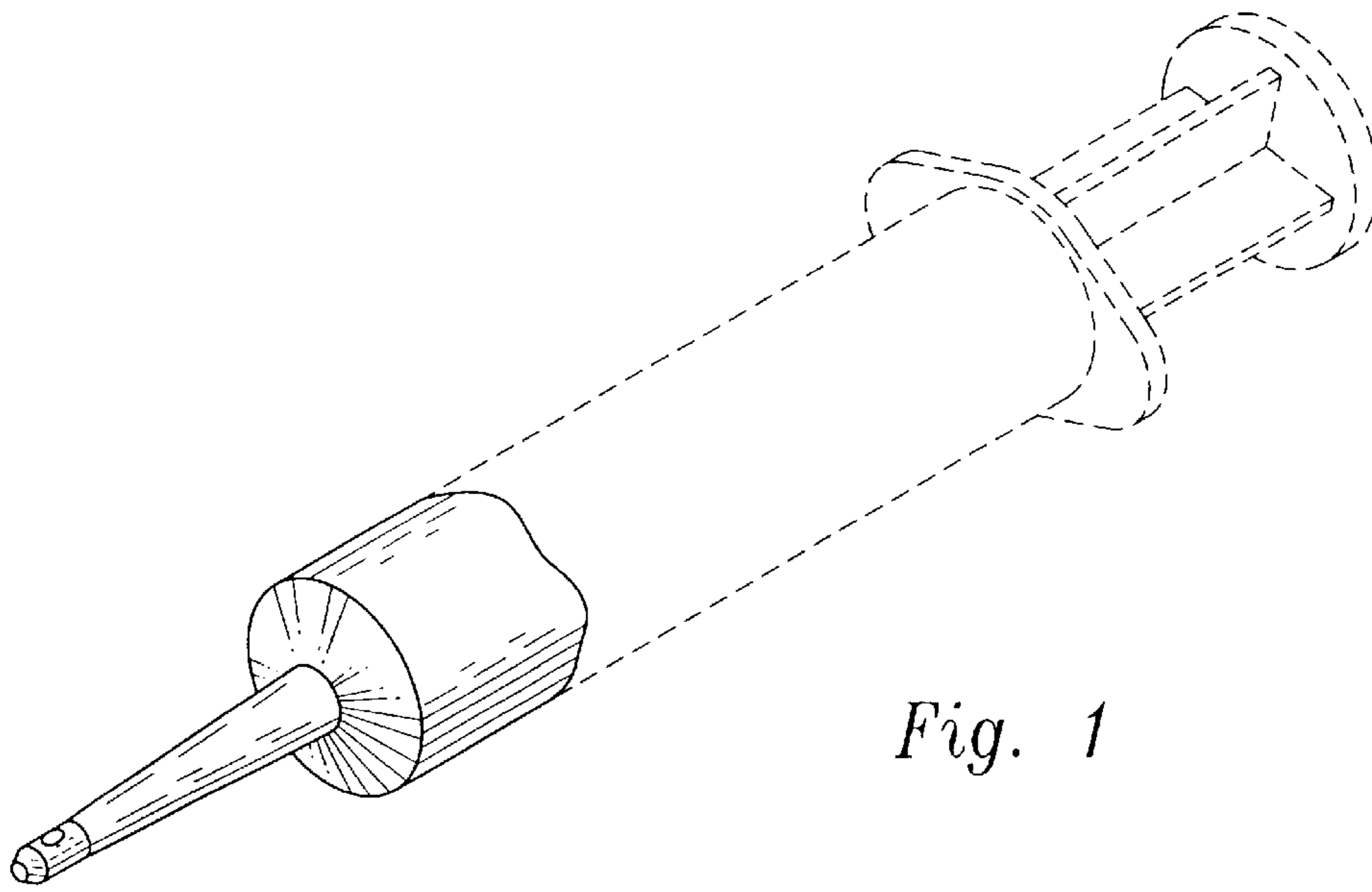
(56) **References Cited**

**U.S. PATENT DOCUMENTS**

2,746,455	A	*	5/1956	Abel	.....	604/411
2,771,074	A	*	11/1956	Landsperger et al.	.....	604/411
D208,838	S	*	10/1967	St. Amand	.....	D24/112
4,838,877	A	*	6/1989	Massau	.....	604/272
5,527,306	A	*	6/1996	Haining	.....	604/411
5,976,115	A	*	11/1999	Parris et al.	.....	604/283

**1 Claim, 1 Drawing Sheet**

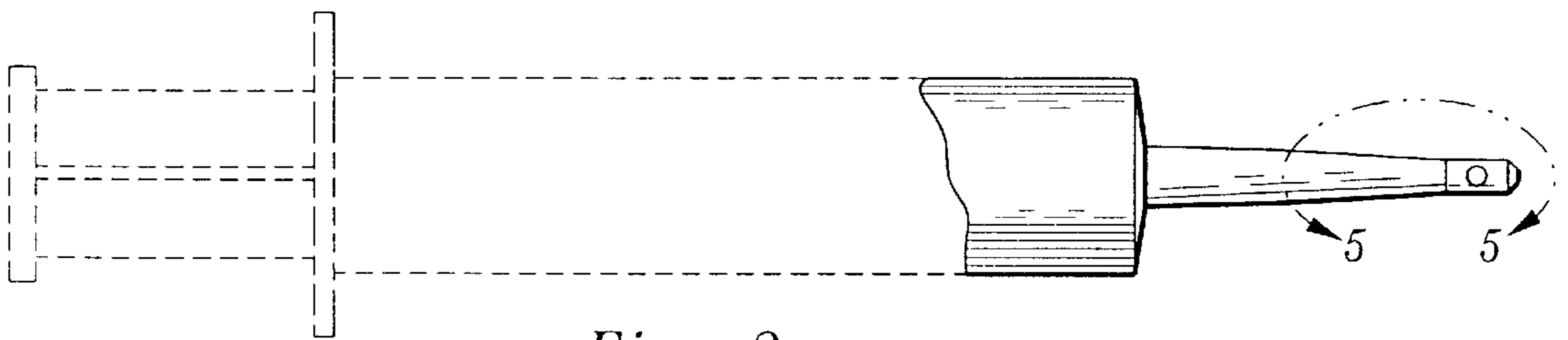




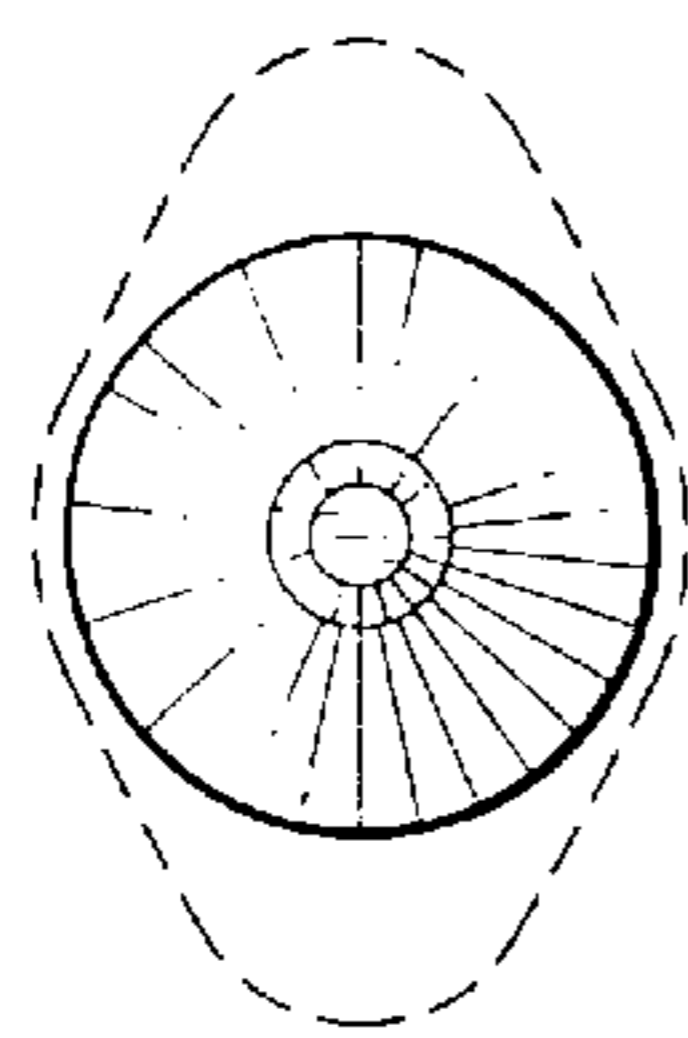
*Fig. 1*



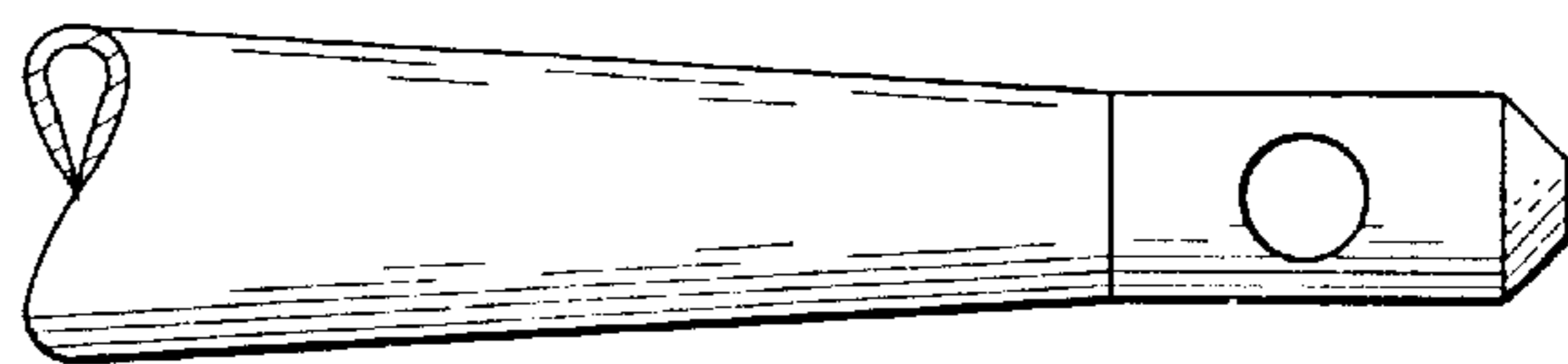
*Fig. 2*



*Fig. 3*



*Fig. 4*



*Fig. 5*