



US00D487142S

(12) **United States Design Patent**  
**Yoo**

(10) **Patent No.:** **US D487,142 S**

(45) **Date of Patent:** **\*\* Feb. 24, 2004**

(54) **WALL HANGING TYPE AIR-CONDITIONER**

(75) Inventor: **Joong Gil Yoo**, Seoul (KR)

(73) Assignee: **LG Electronics Inc.**, Seoul (KR)

(\*\*) Term: **14 Years**

(21) Appl. No.: **29/155,634**

(22) Filed: **Feb. 15, 2002**

(30) **Foreign Application Priority Data**

Aug. 31, 2001 (KR) ..... 2001-24497

(51) **LOC (7) Cl.** ..... **23-04**

(52) **U.S. Cl.** ..... **D23/351**

(58) **Field of Search** ..... D23/351-354,  
D23/333; 62/259.1, 259.4, 262-63, 304,  
324.1, DIG. 16; 312/236; 454/201-204

(56) **References Cited**

**U.S. PATENT DOCUMENTS**

D286,430 S \* 10/1986 Miyake et al. .... D23/353

D451,586 S \* 12/2001 Oya et al. .... D23/351

D454,188 S \* 3/2002 Nonaka ..... D23/351

D465,016 S \* 10/2002 Nanjo et al. .... D23/351

\* cited by examiner

*Primary Examiner*—Brian N. Vinson

(74) *Attorney, Agent, or Firm*—Birch, Stewart, Kolasch & Birch, LLP

(57) **CLAIM**

The ornamental design for wall hanging type air-conditioner, as shown and described.

**DESCRIPTION**

FIG. 1 is perspective view of the wall hanging type air-conditioner;

FIG. 2 is a front view thereof;

FIG. 3 is a rear view thereof;

FIG. 4 is a left side view thereof, the right side being a mirror image

FIG. 5 is a top plan view thereof; and,

FIG. 6 is a bottom plan view thereof.

**1 Claim, 4 Drawing Sheets**

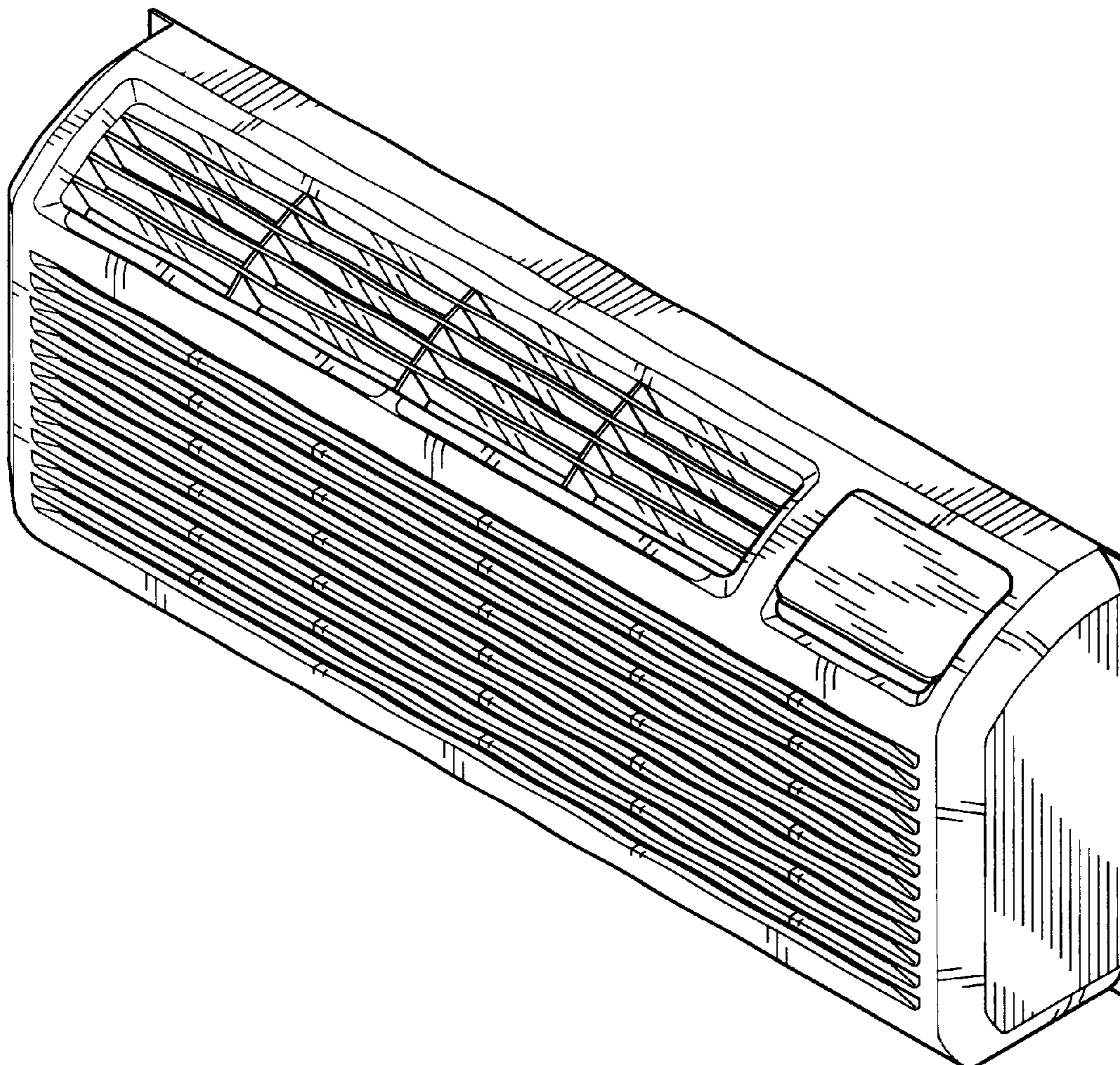


FIG. 1

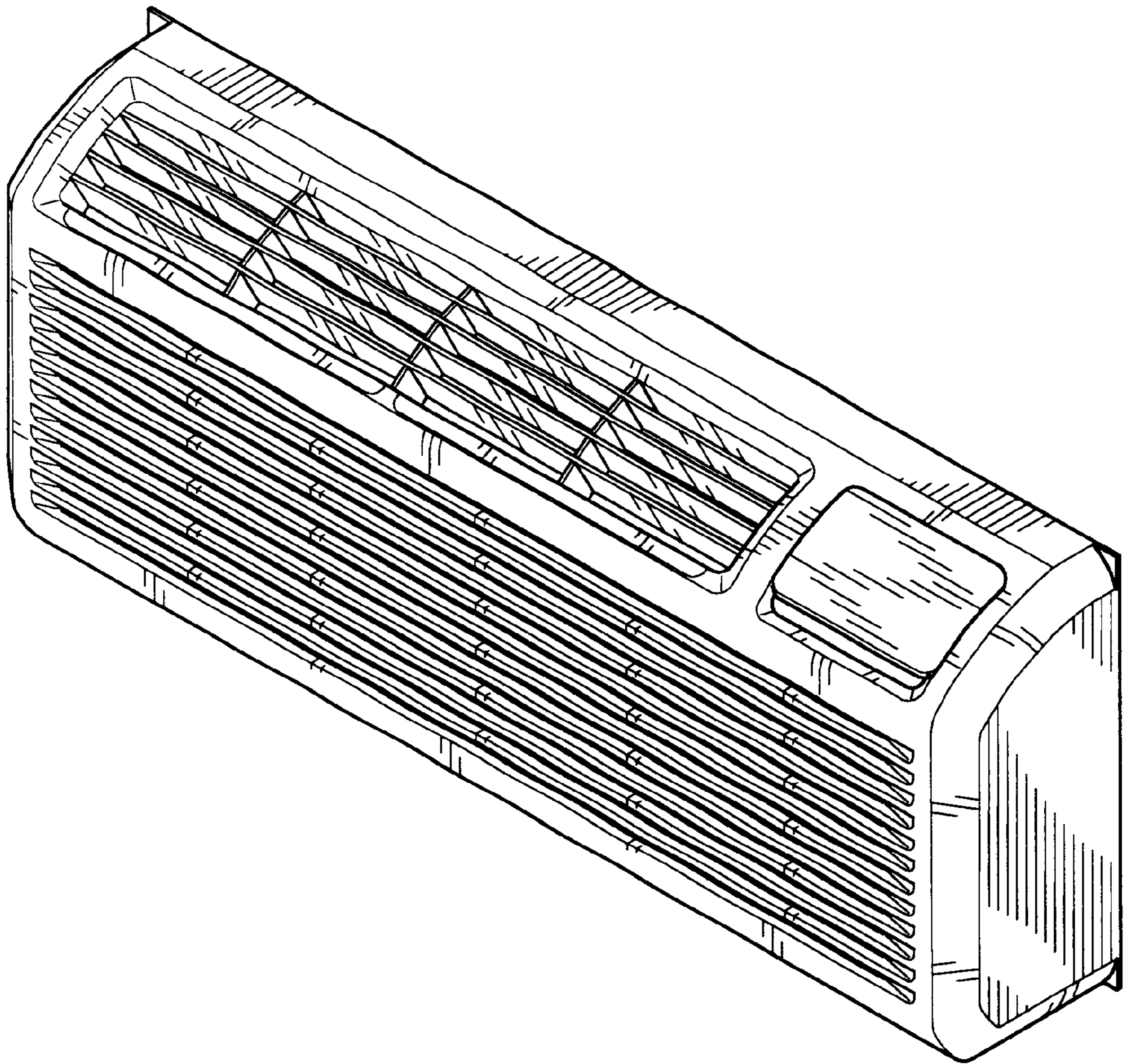


FIG. 2

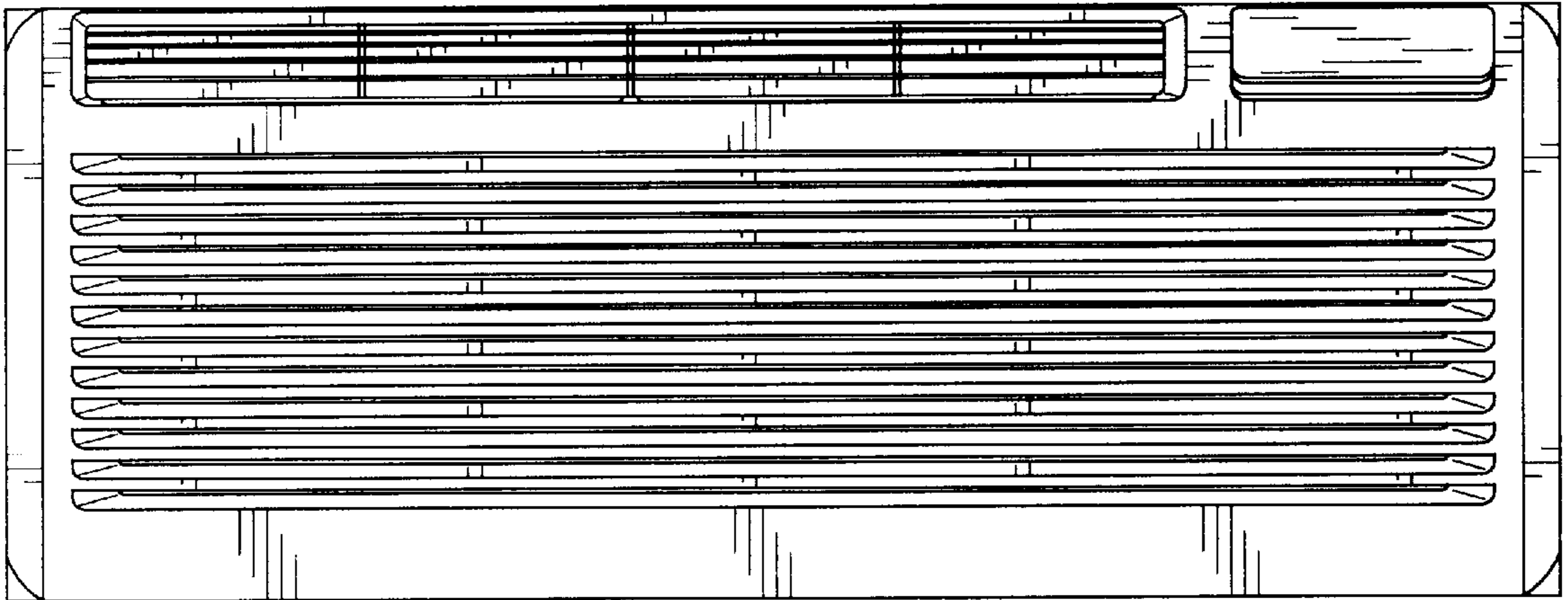
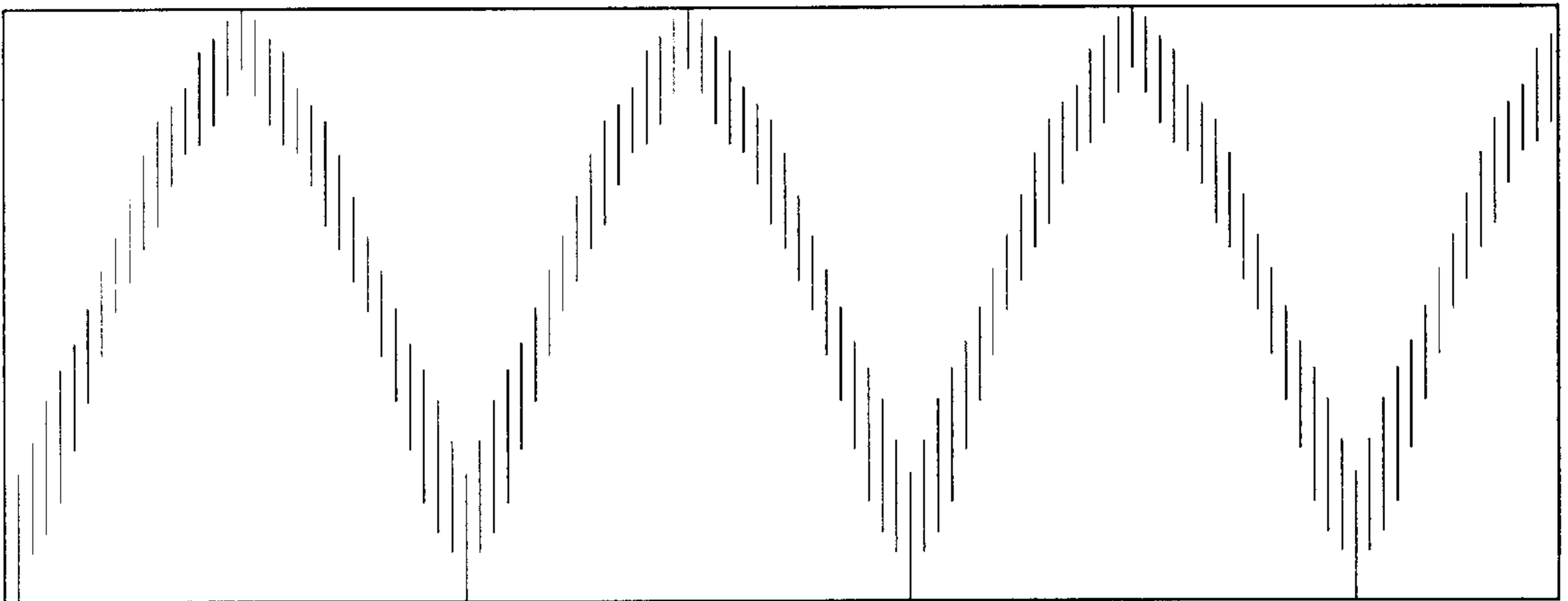


FIG. 3



# FIG. 4

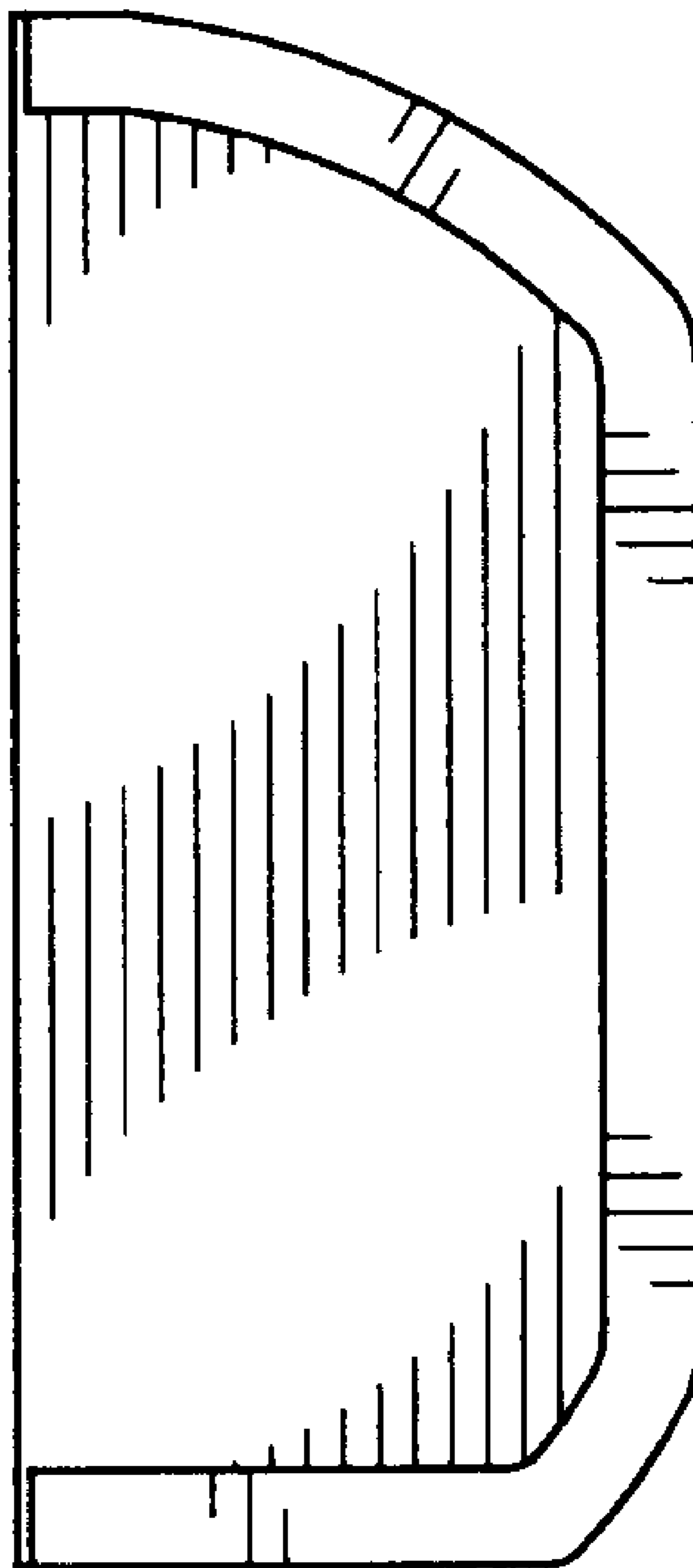


FIG. 5

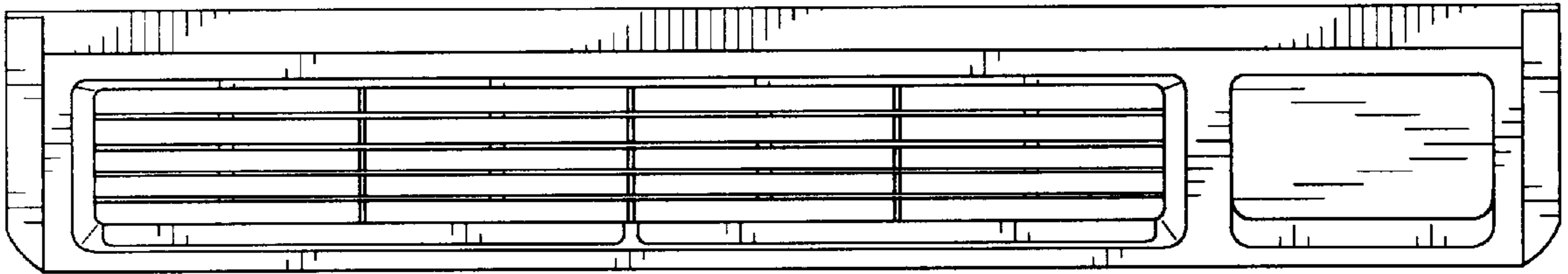


FIG. 6

