



US00D487138S

(12) **United States Design Patent** (10) **Patent No.:** **US D487,138 S**  
**Billsund et al.** (45) **Date of Patent:** **\*\* Feb. 24, 2004**

(54) **TOILET**

(75) Inventors: **Mikael Billsund**, Bredaryd (SE); **Kjell Henriksson**, Bredaryd (SE)

(73) Assignee: **Separett AB**, Bredaryd (SE)

(\*\*) Term: **14 Years**

(21) Appl. No.: **29/171,255**

(22) Filed: **Nov. 19, 2002**

(30) **Foreign Application Priority Data**

Jul. 5, 2002 (SE) ..... 02-1025

(51) **LOC (7) Cl.** ..... **23-02**

(52) **U.S. Cl.** ..... **D23/295**

(58) **Field of Search** ..... D23/273-274,  
D23/295-301, 303, 309, 311-313; 4/300,  
328-329, 347, 353, 420, 443-446, 449,  
460, 217, 234, 237, 242.1, 902, 661

(56) **References Cited**

**U.S. PATENT DOCUMENTS**

D354,340 S \* 1/1995 Sundberg ..... D23/299  
D420,110 S \* 2/2000 Vogel ..... D23/296

\* cited by examiner

*Primary Examiner*—Louis S. Zarfes  
*Assistant Examiner*—Robert A. Delehanty

(74) *Attorney, Agent, or Firm*—W. Glenn Edwards;  
Oppenheimer Wolff & Donnelly LLP

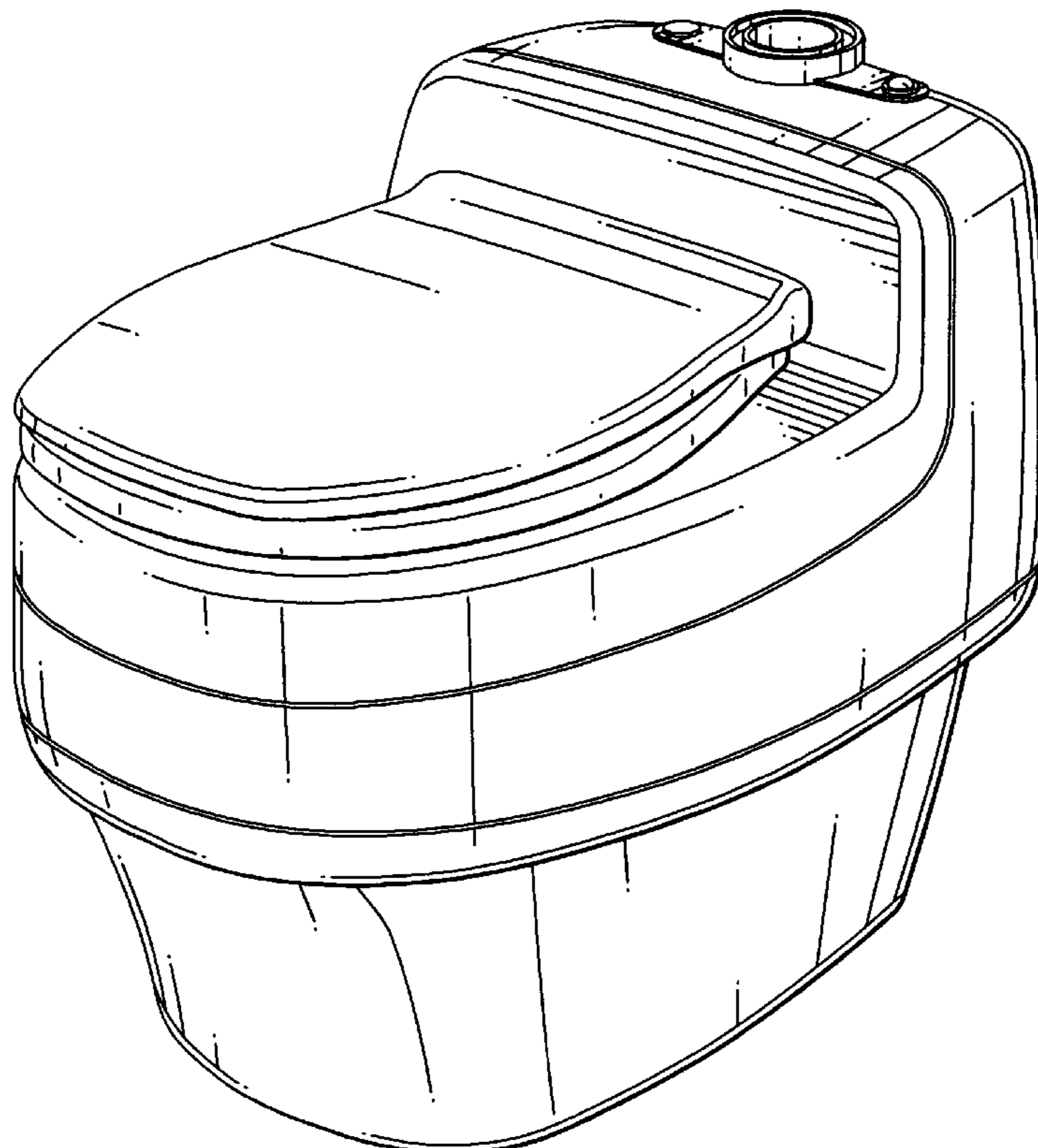
(57) **CLAIM**

The ornamental design for a toilet, substantially as shown and described.

**DESCRIPTION**

FIG. 1 is a front perspective view of a toilet showing our new design;  
 FIG. 2 is a rear perspective view thereof;  
 FIG. 3 is a front elevation view thereof;  
 FIG. 4 is a top plan view thereof;  
 FIG. 5 is a bottom plan view thereof;  
 FIG. 6 is a side elevation view thereof;  
 FIG. 7 is a rear elevation view thereof;  
 FIG. 8 is an opposite side elevation view thereof;  
 FIG. 9 is a cross sectional view taken along line 9—9 shown in FIG. 3 thereof;  
 FIG. 10 is a cross sectional view taken along line 10—10 shown in FIG. 6 thereof;  
 FIG. 11 is a cross sectional view taken along line 11—11 shown in FIG. 6 thereof; and,  
 FIG. 12 is a cross sectional view taken along line 12—12 shown in FIG. 6 thereof.  
 The broken lines showing portions of the toilet are for illustrative purposes only and form no part of the claimed design.

**1 Claim, 12 Drawing Sheets**



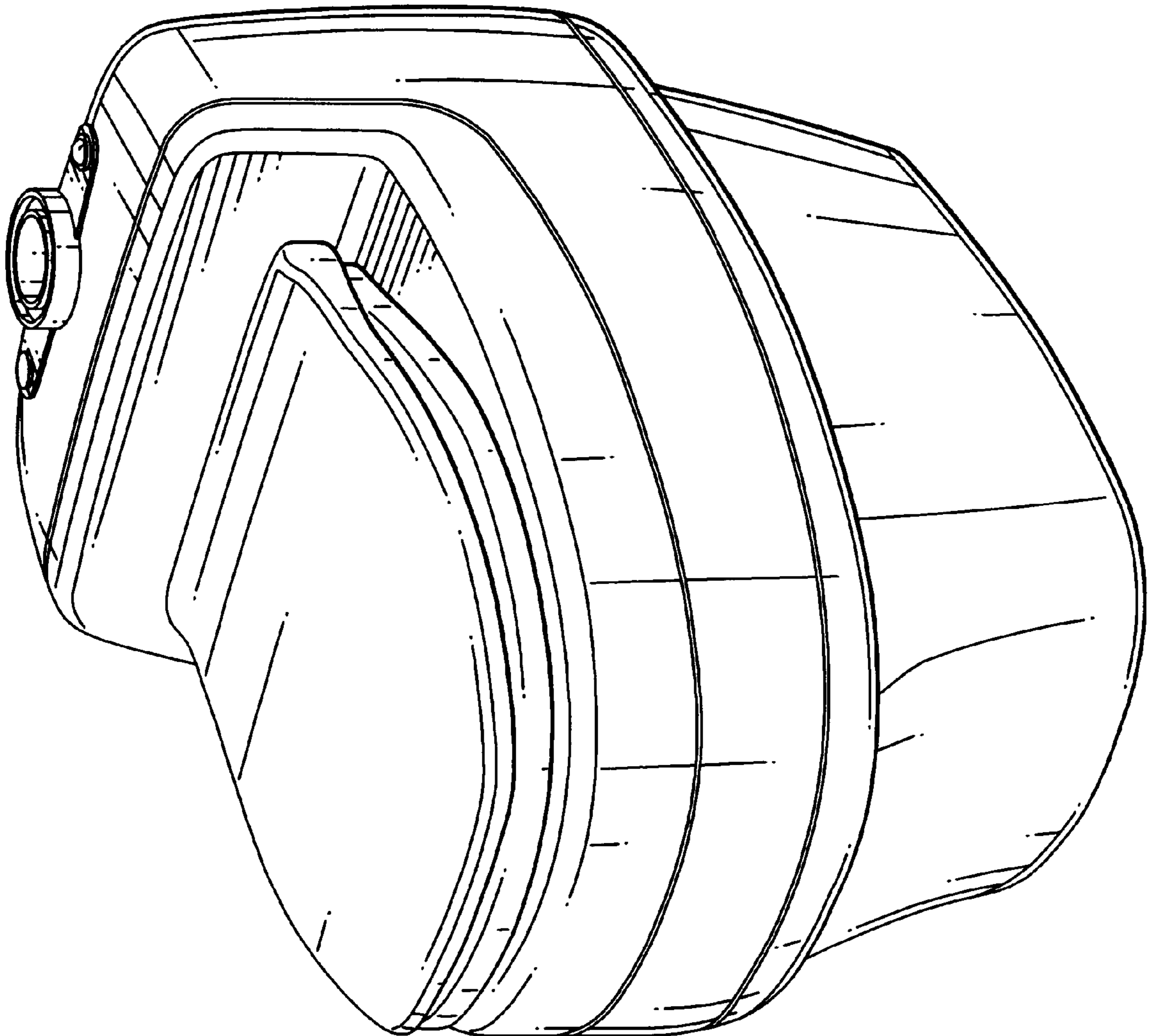
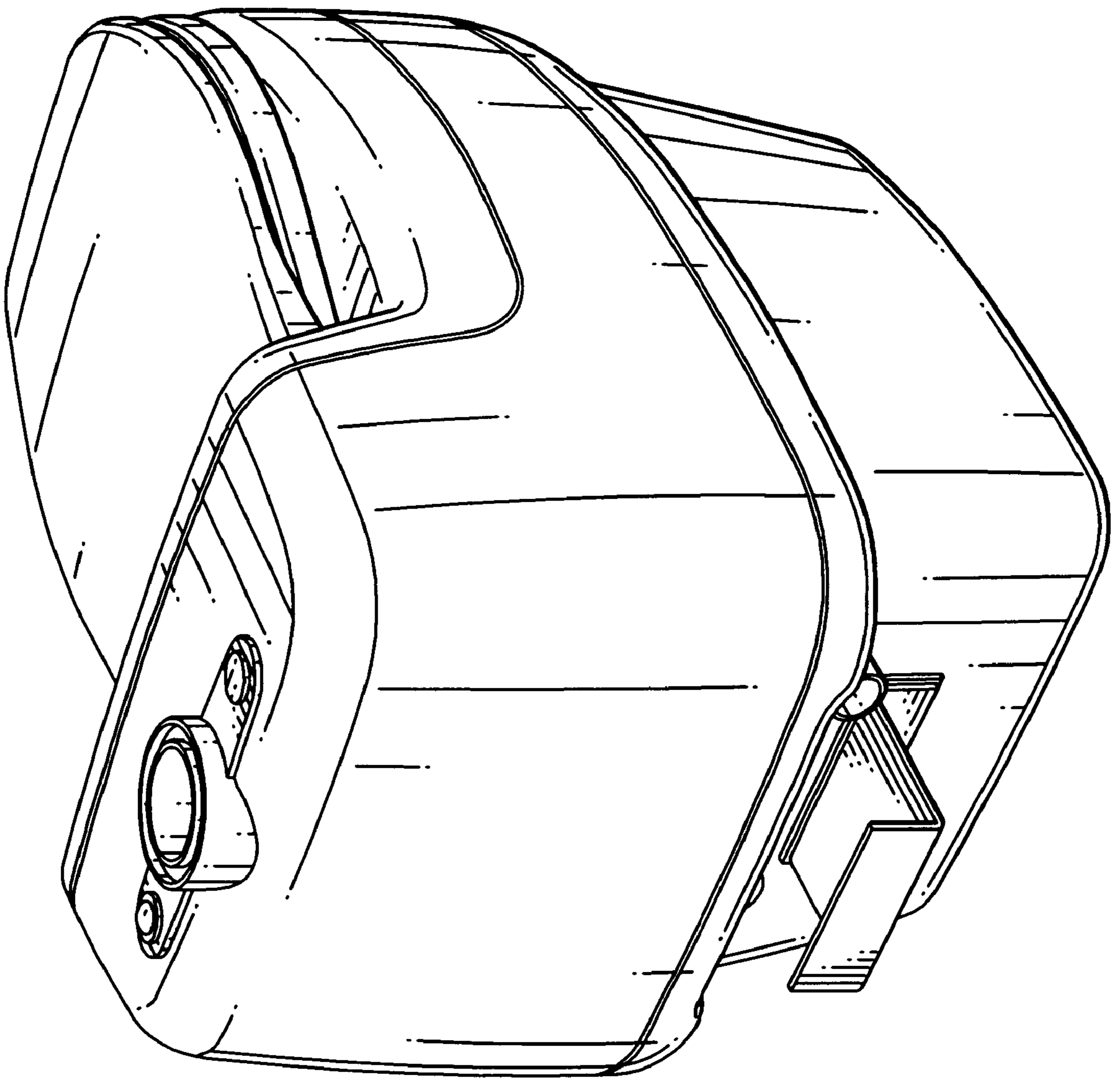


FIG. 1

FIG. 2



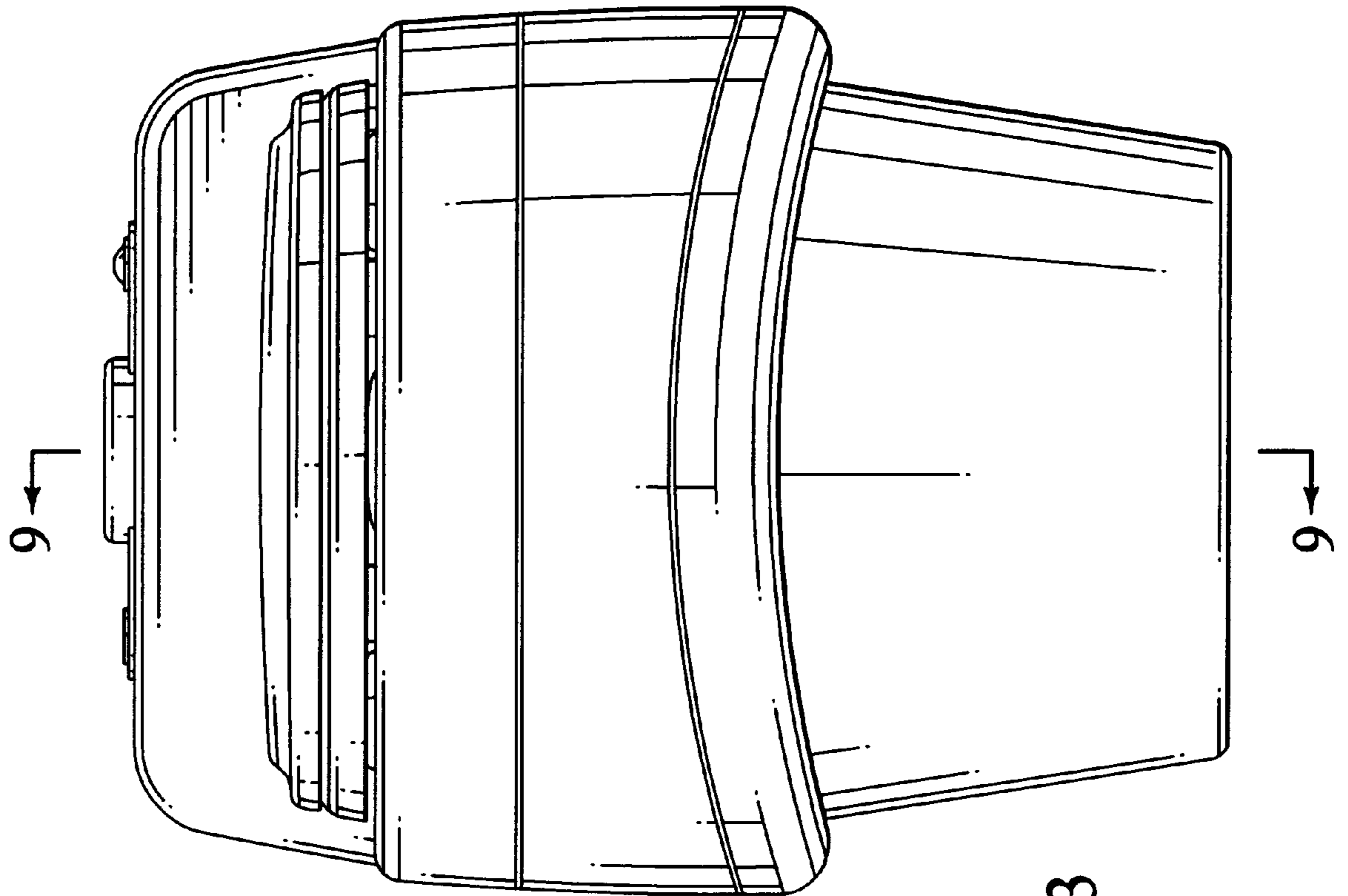


FIG. 3

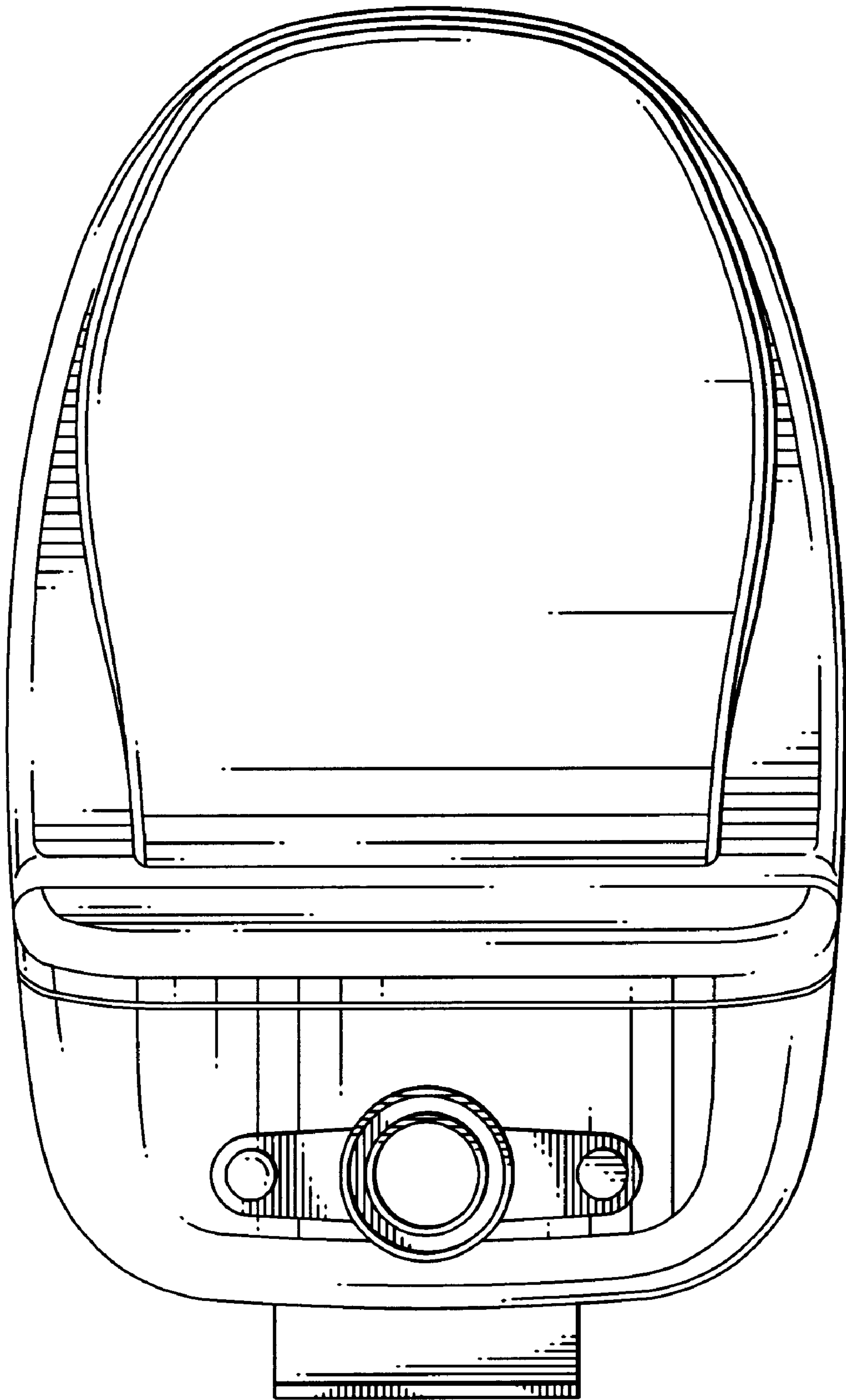


FIG. 4



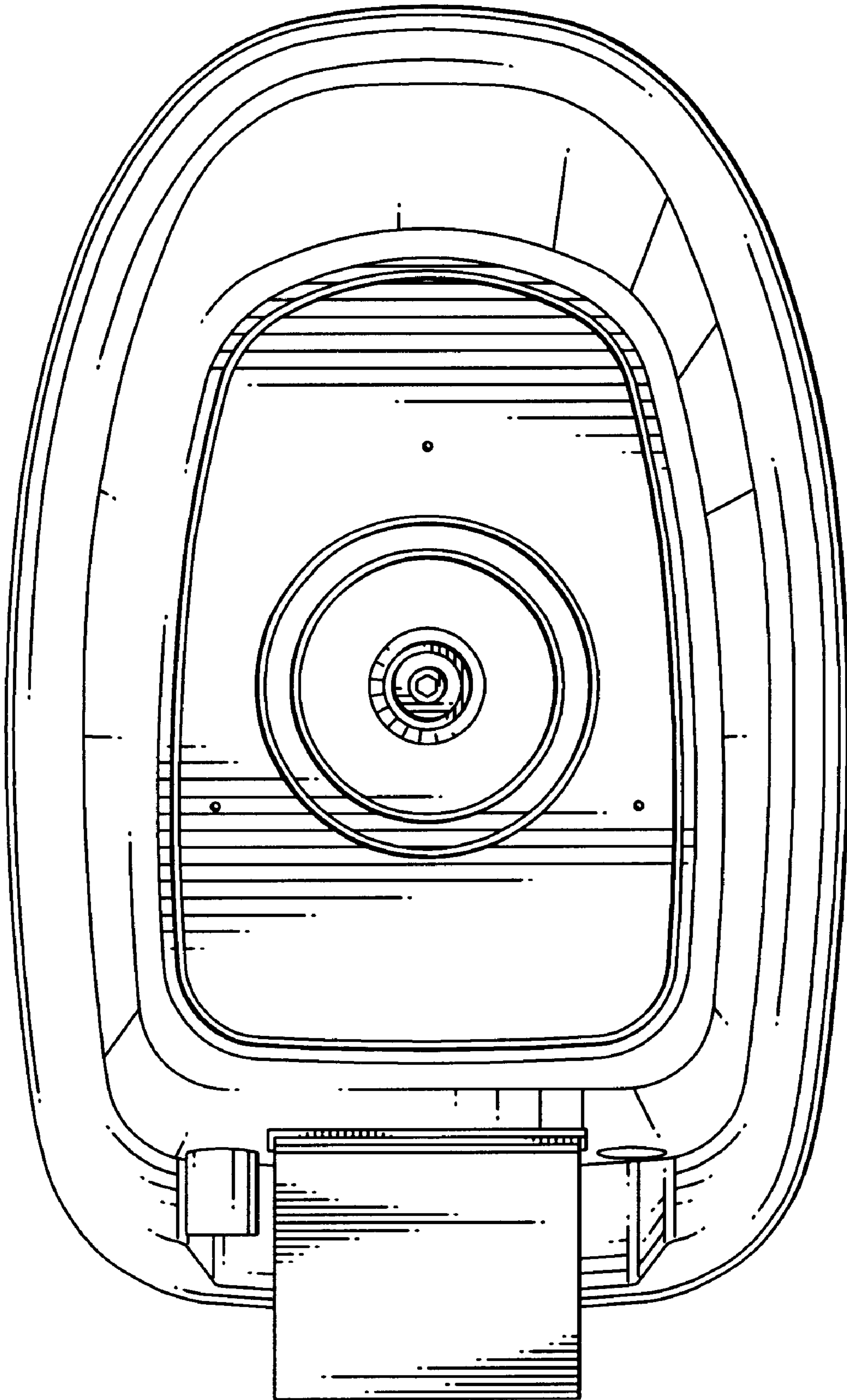


FIG. 5

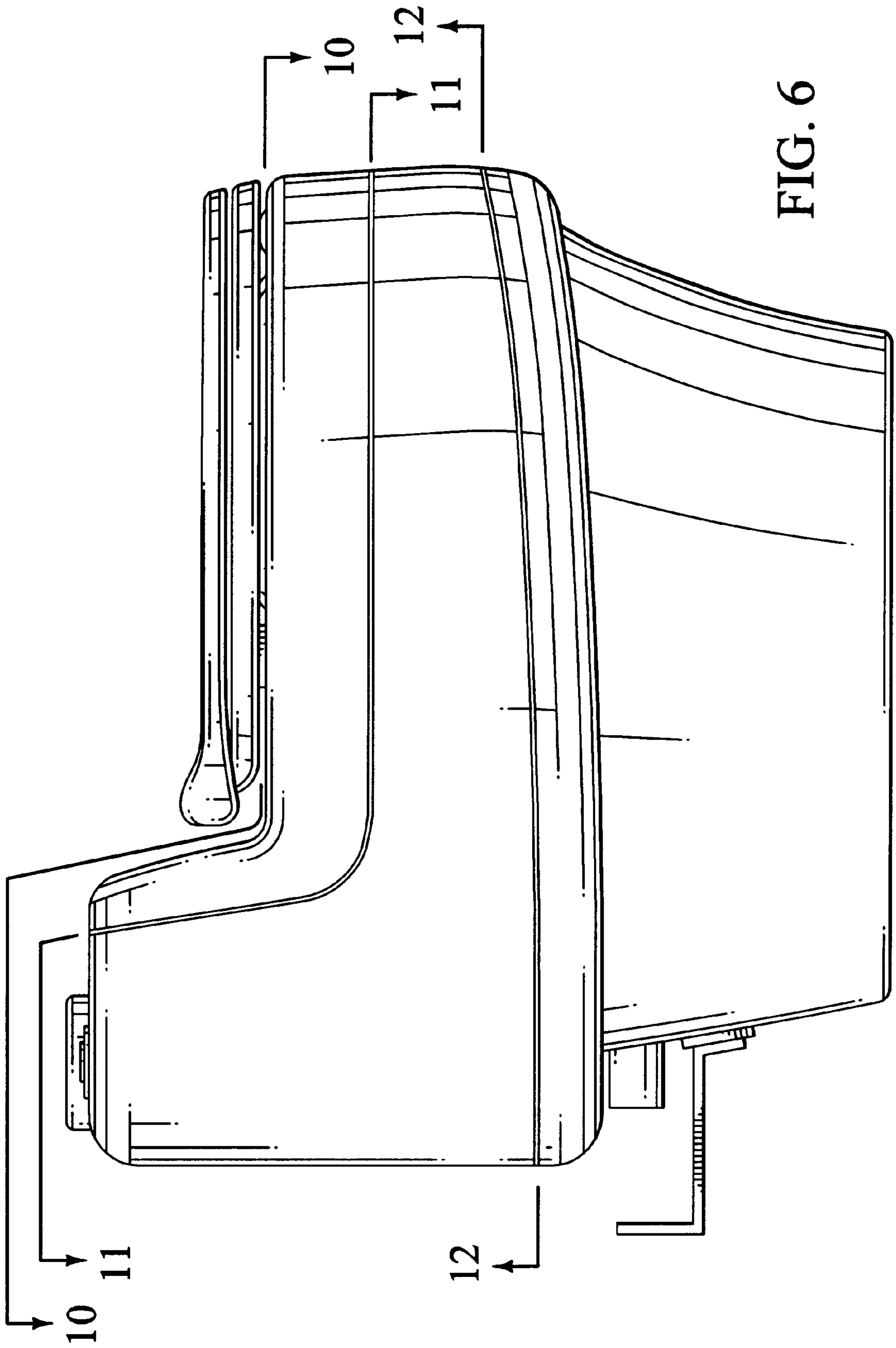


FIG. 6

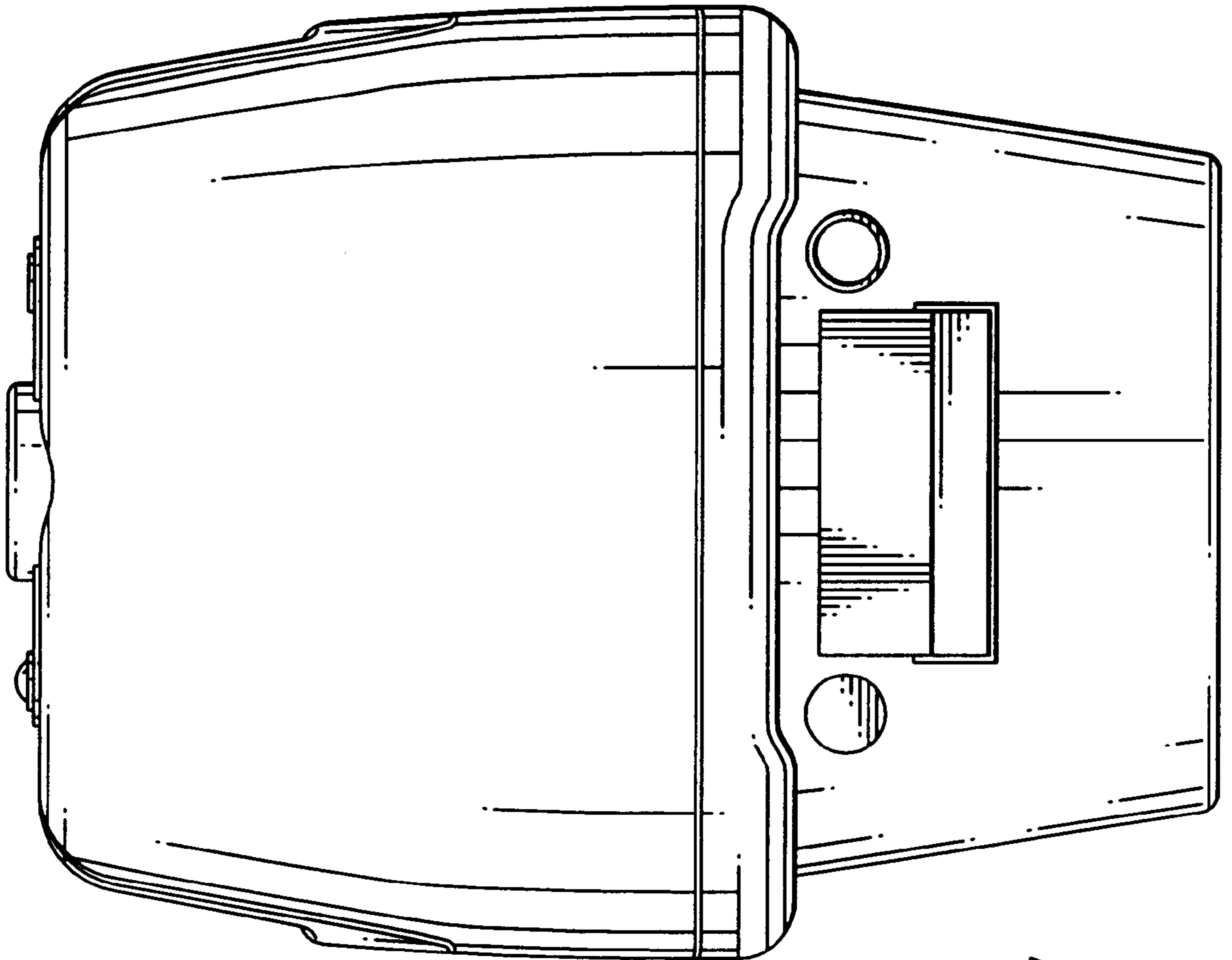


FIG. 7



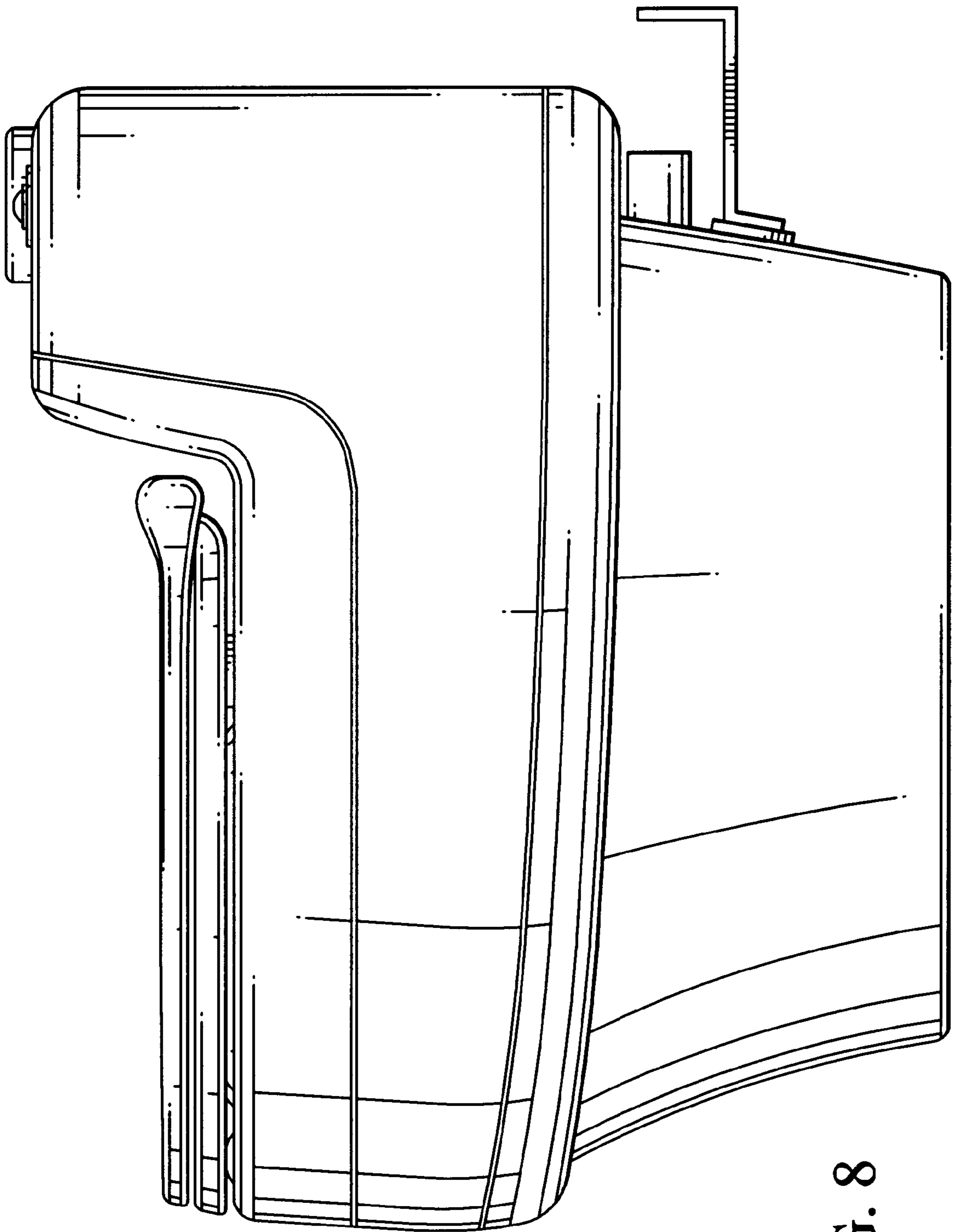


FIG. 8

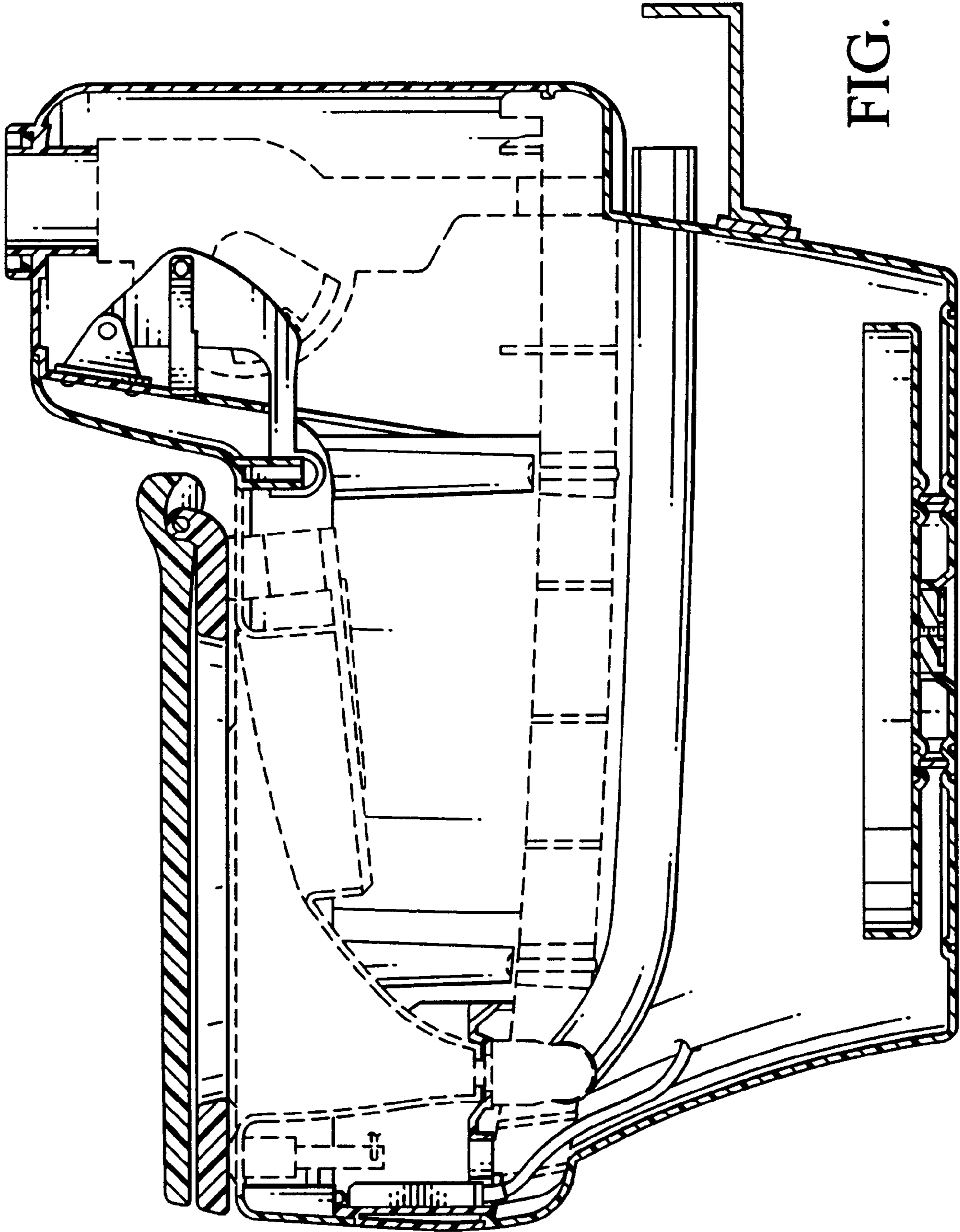


FIG. 9

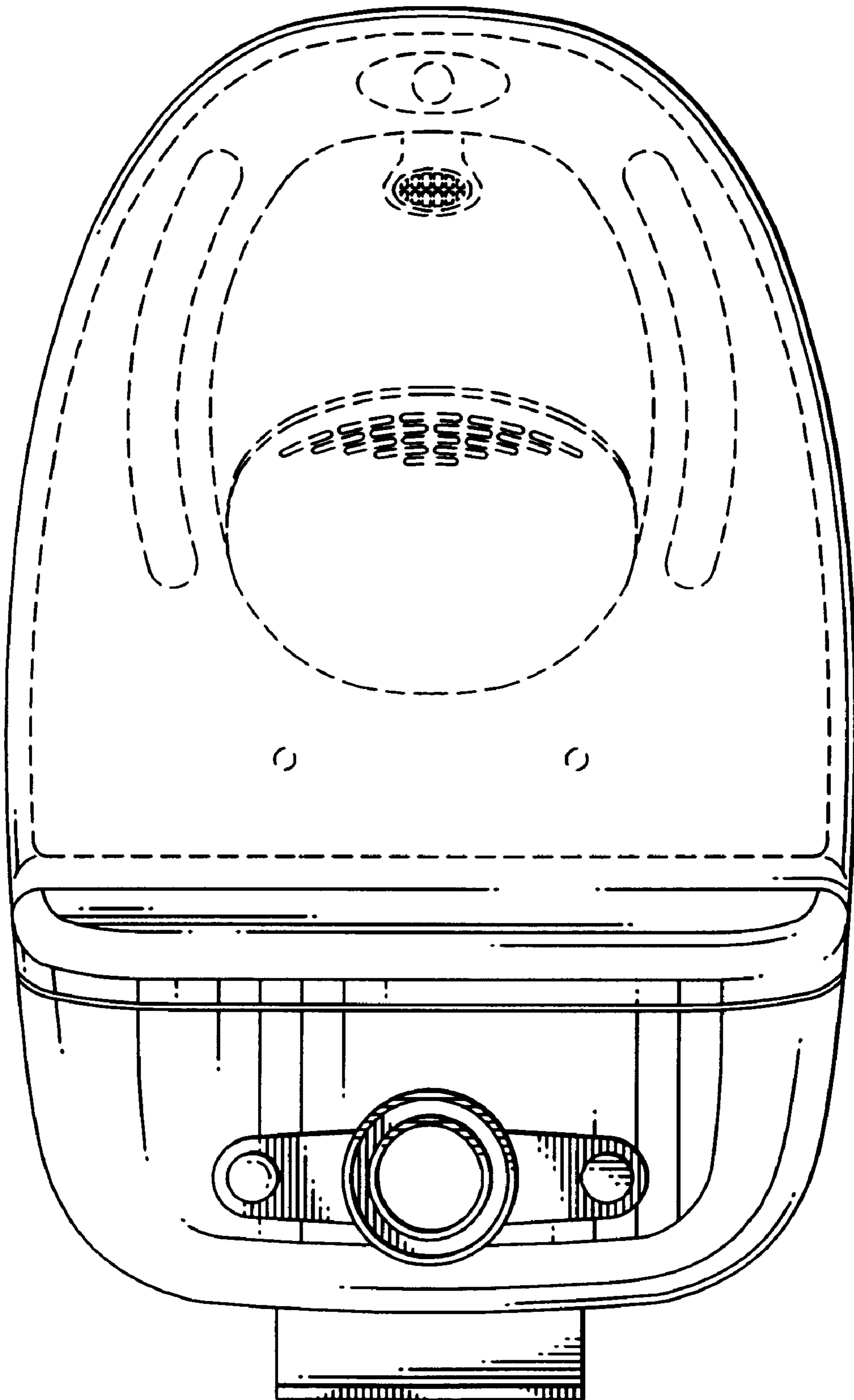


FIG. 10

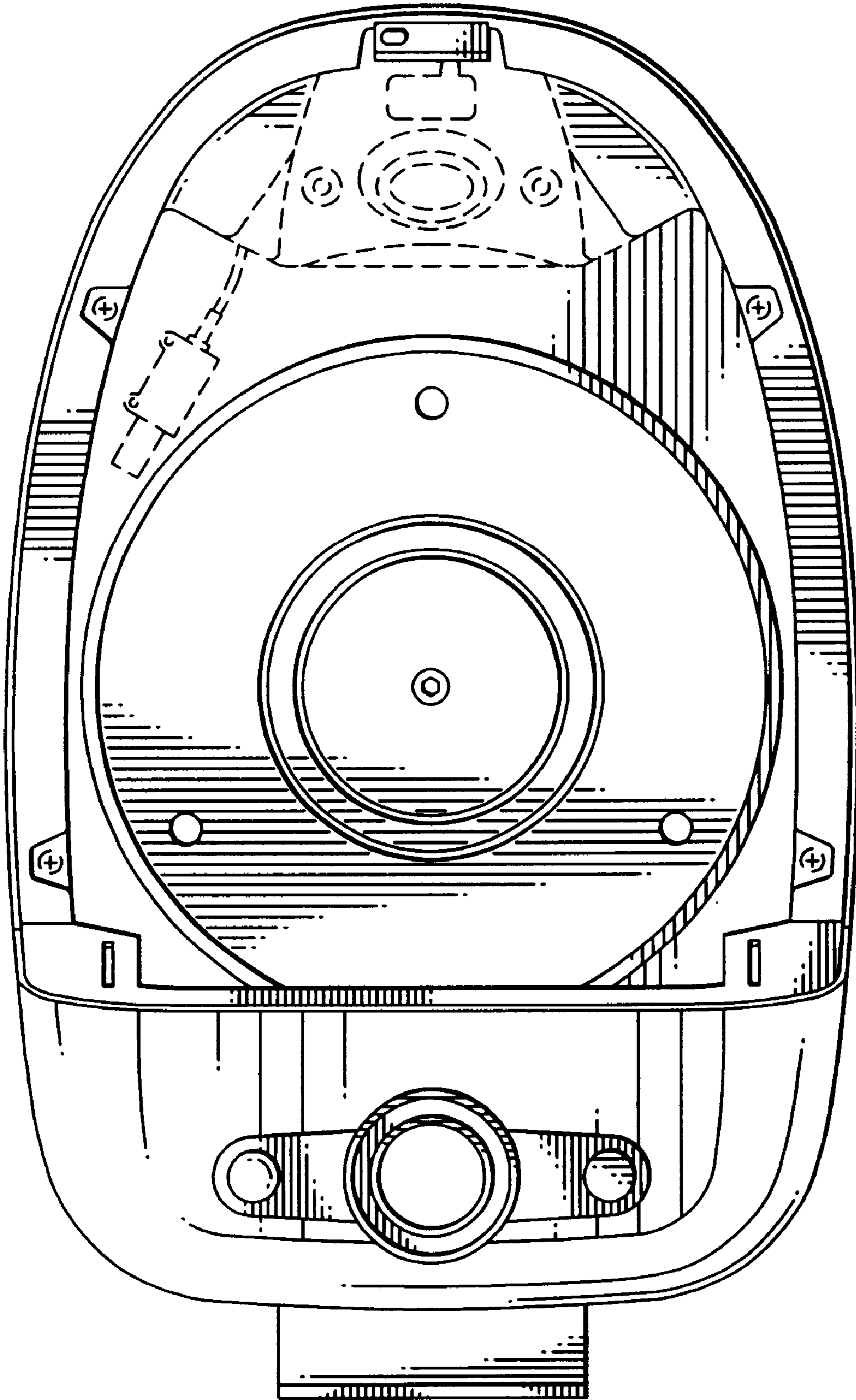


FIG. 11

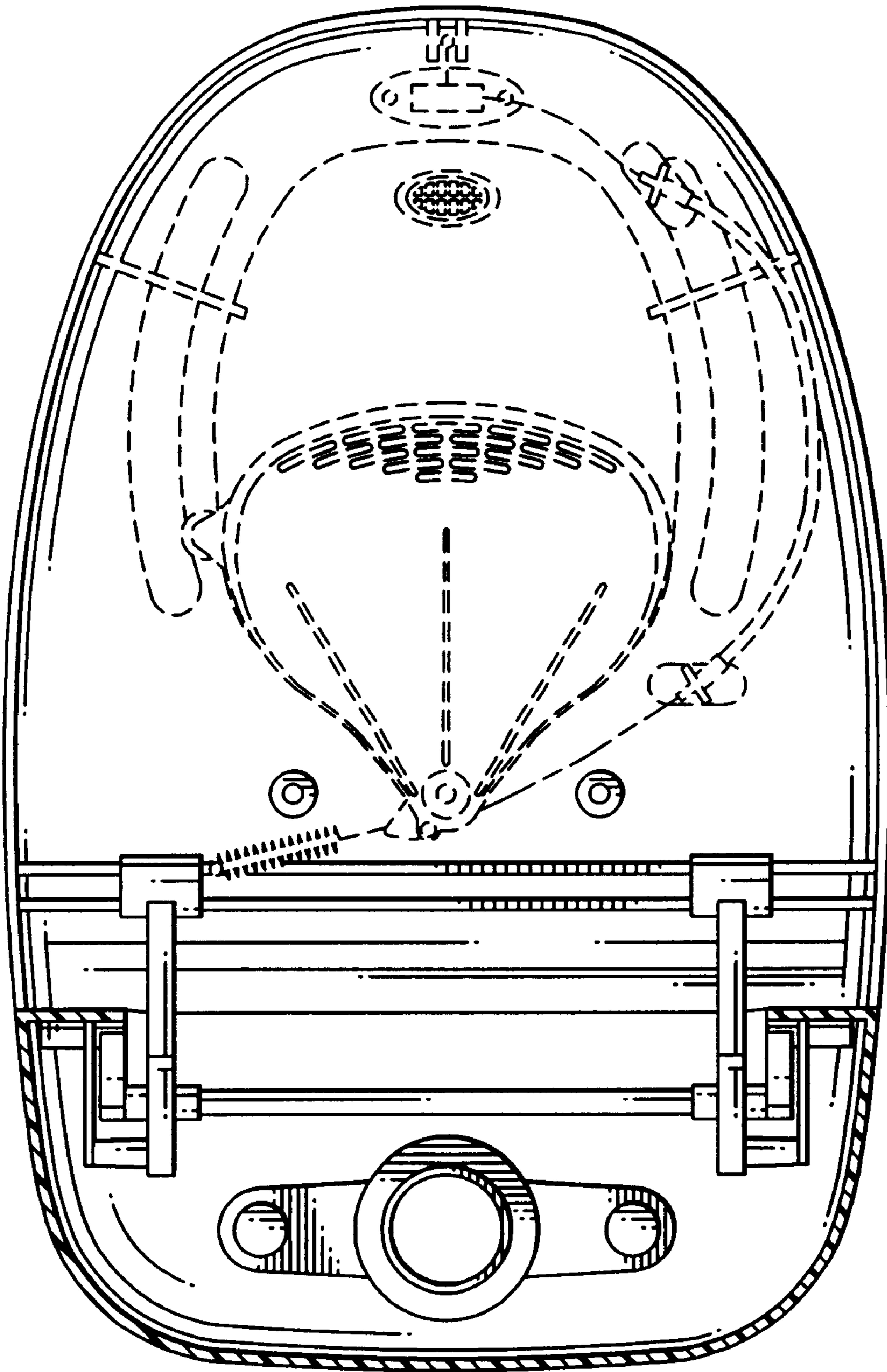


FIG. 12