



US00D487133S

(12) **United States Design Patent**
Haug et al.

(10) **Patent No.:** **US D487,133 S**

(45) **Date of Patent:** **** Feb. 24, 2004**

(54) **SANITARY FAUCET**

(75) Inventors: **Andreas Haug**, Stuttgart (DE); **Tom Schönherr**, Stuttgart (DE); **Andreas Dimitriadis**, Lorch (DE)

(73) Assignee: **Hansgrohe AG**, Schiltach (DE)

(**) Term: **14 Years**

(21) Appl. No.: **29/177,537**

(22) Filed: **Mar. 11, 2003**

(30) **Foreign Application Priority Data**

Sep. 11, 2002 (DE) 4 02 07 567

(51) **LOC (7) Cl.** **23-01**

(52) **U.S. Cl.** **D23/238; D23/257**

(58) **Field of Search** **D23/238-243, D23/250-257; 4/675-678; 137/801**

(56) **References Cited**

U.S. PATENT DOCUMENTS

- D291,232 S * 8/1987 Haug et al. D23/238
- D355,243 S * 2/1995 Chen D23/238
- D466,977 S * 12/2002 Cummings D23/238

OTHER PUBLICATIONS

- Fantini Rubinetterie, catalog, 2 pages, Sep., 1999.
- Framo-Rubinetteria, catalog, 1 page, Mar., 2002.
- Newform-Rubinetteria, catalog, 2 pages, Mar., 2002.
- Il tuo rubinetto by Fonte, 2 pages, Mar., 2002.
- Dornbracht, catalog, one page, Mar., 2001.

* cited by examiner

Primary Examiner—Louis S. Zarfes

Assistant Examiner—Gregory Andoll

(74) *Attorney, Agent, or Firm*—Duane Morris LLP

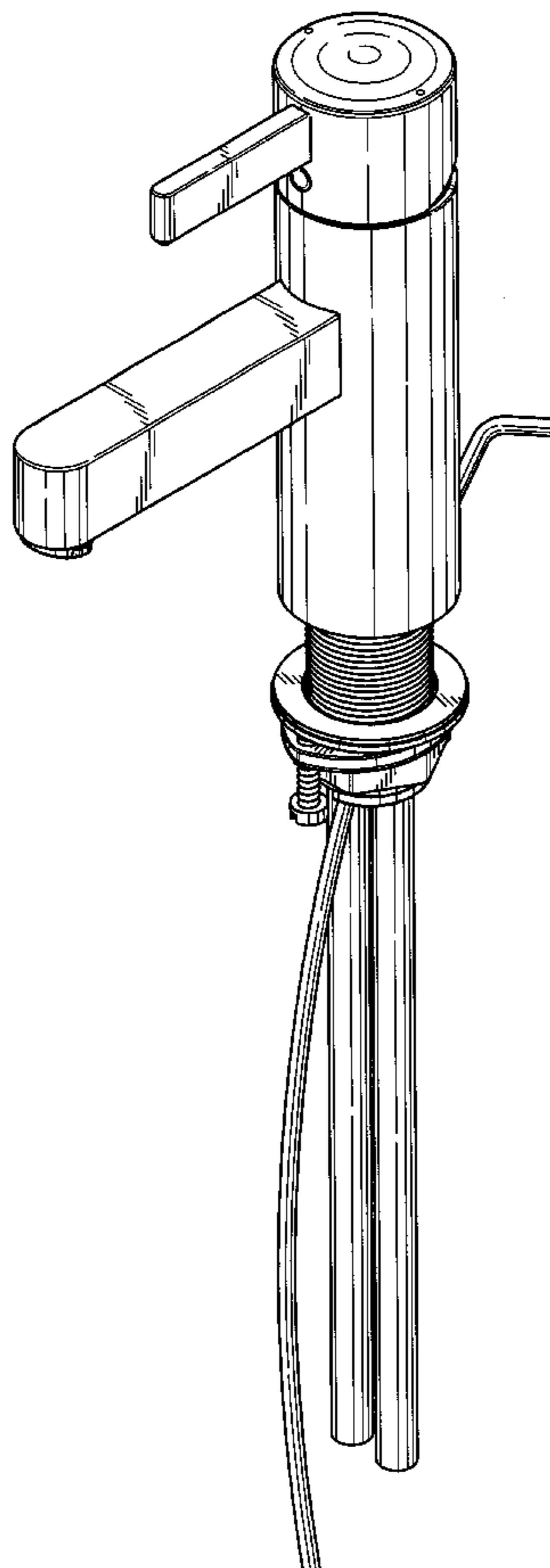
(57) **CLAIM**

The ornamental design for a sanitary faucet, as shown and described.

DESCRIPTION

- FIG. 1: is a side perspective view of the sanitary faucet showing our new design;
- FIG. 2: is a side elevation view thereof;
- FIG. 3: is a front elevation view thereof;
- FIG. 4: is the opposite side elevation view thereof;
- FIG. 5: is a rear elevation view thereof;
- FIG. 6: is a top plan view thereof; and,
- FIG. 7: is a bottom plan view thereof.

1 Claim, 4 Drawing Sheets



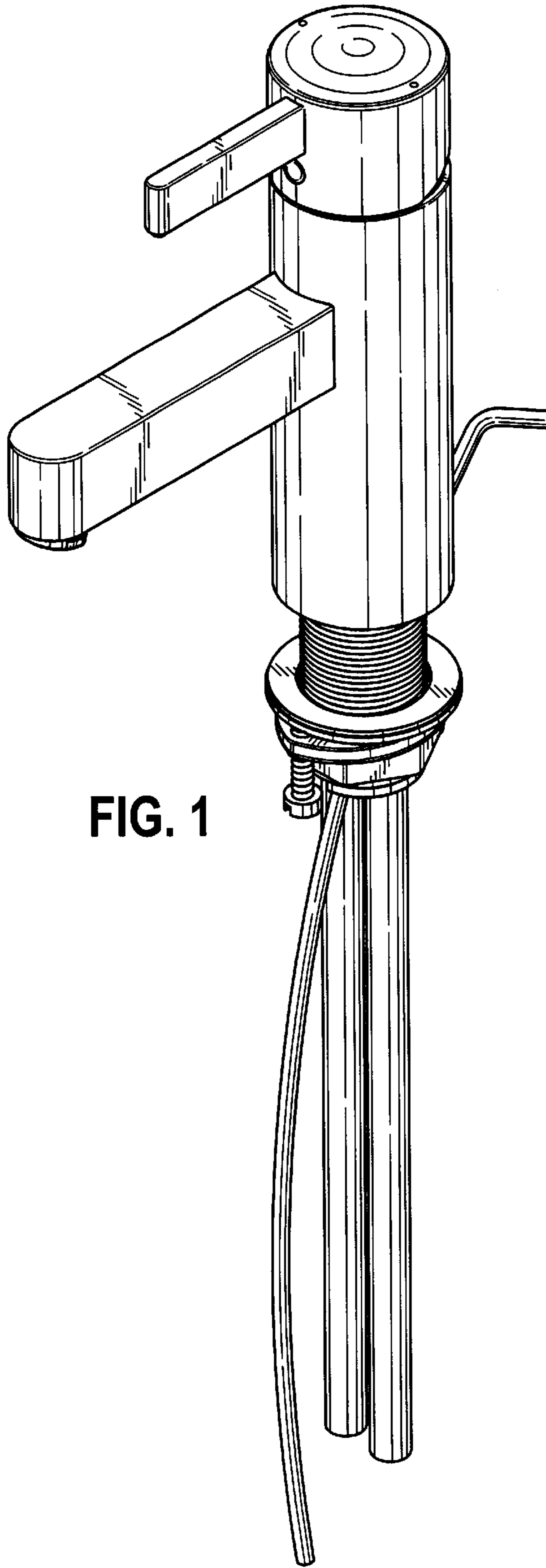


FIG. 1

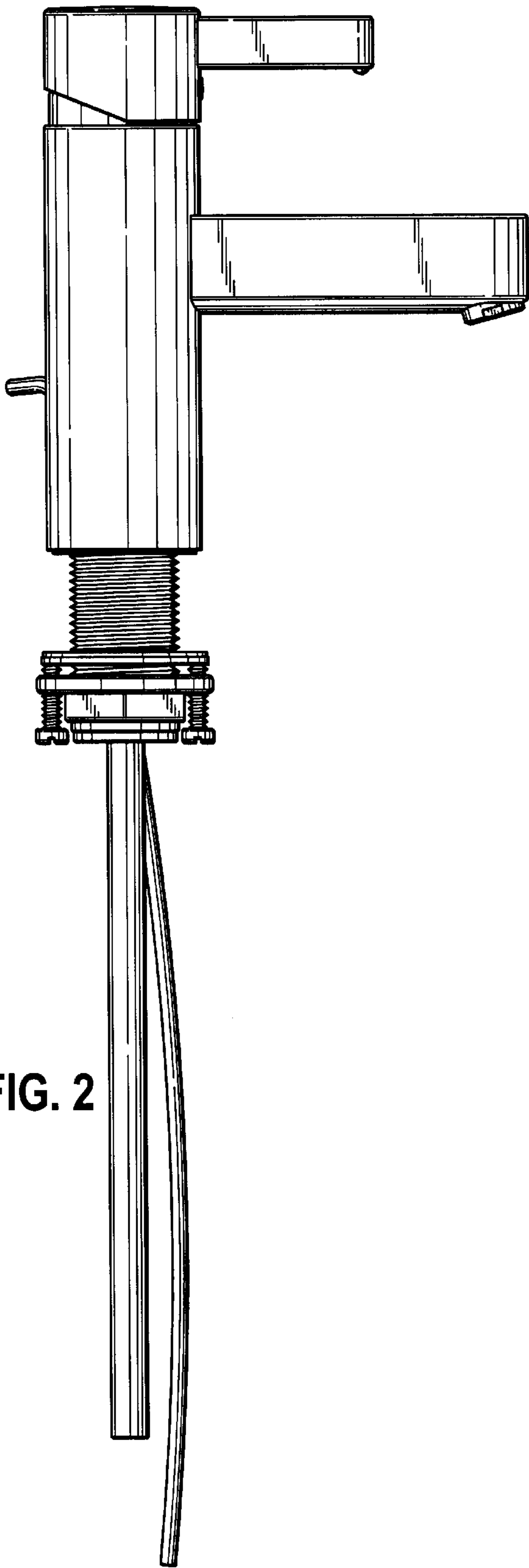


FIG. 2

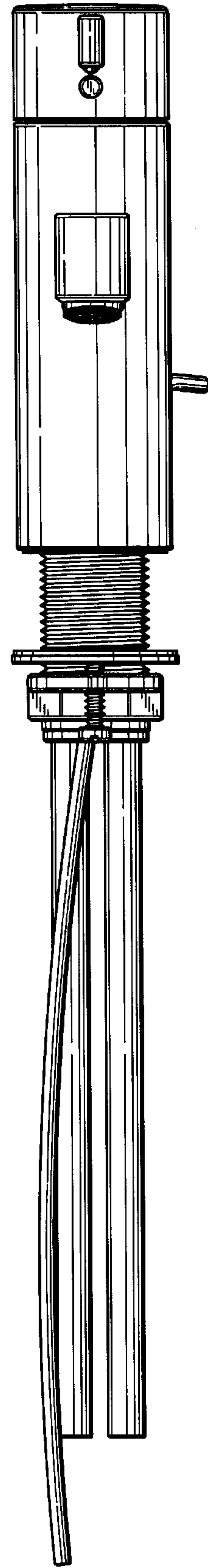


FIG. 3

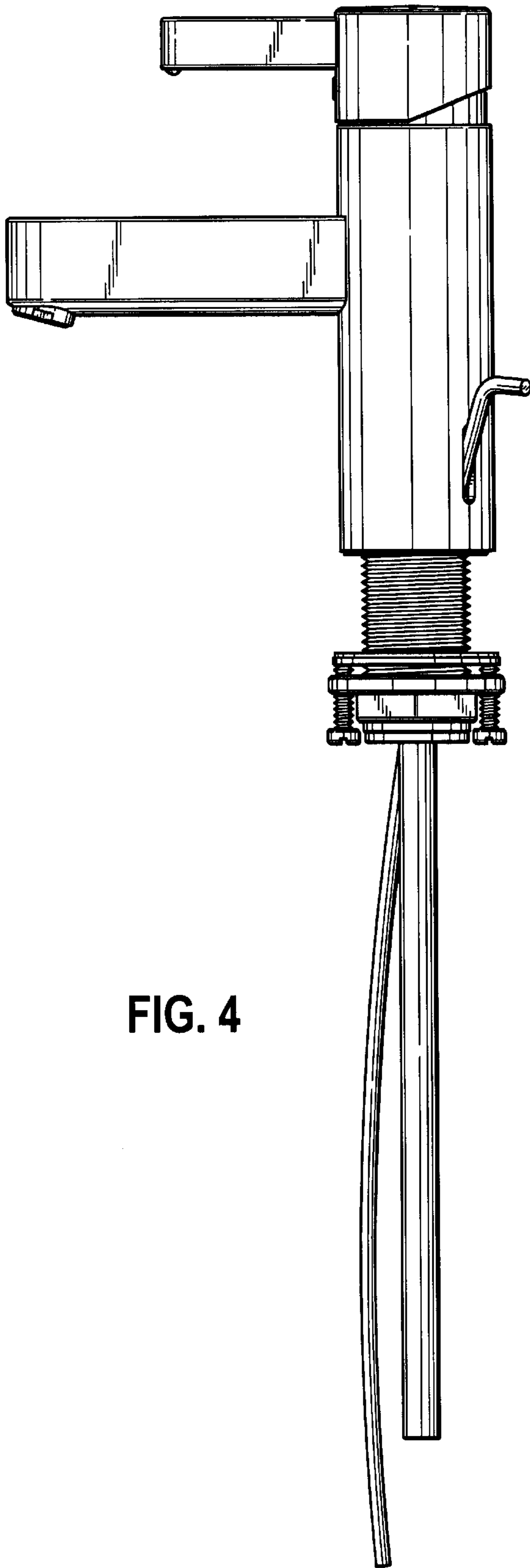


FIG. 4

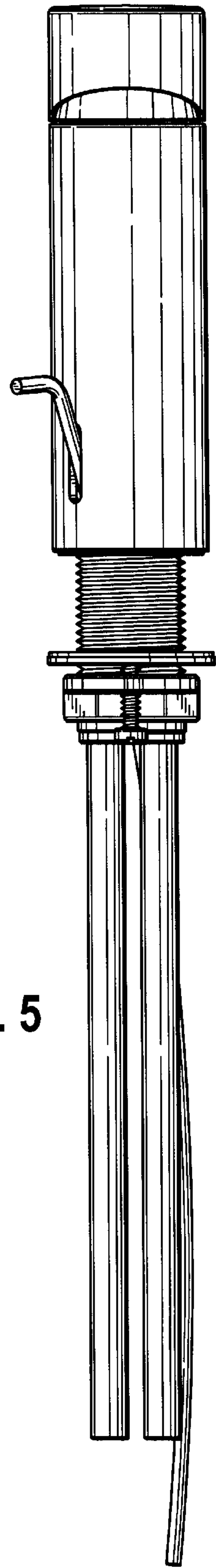


FIG. 5

FIG. 6

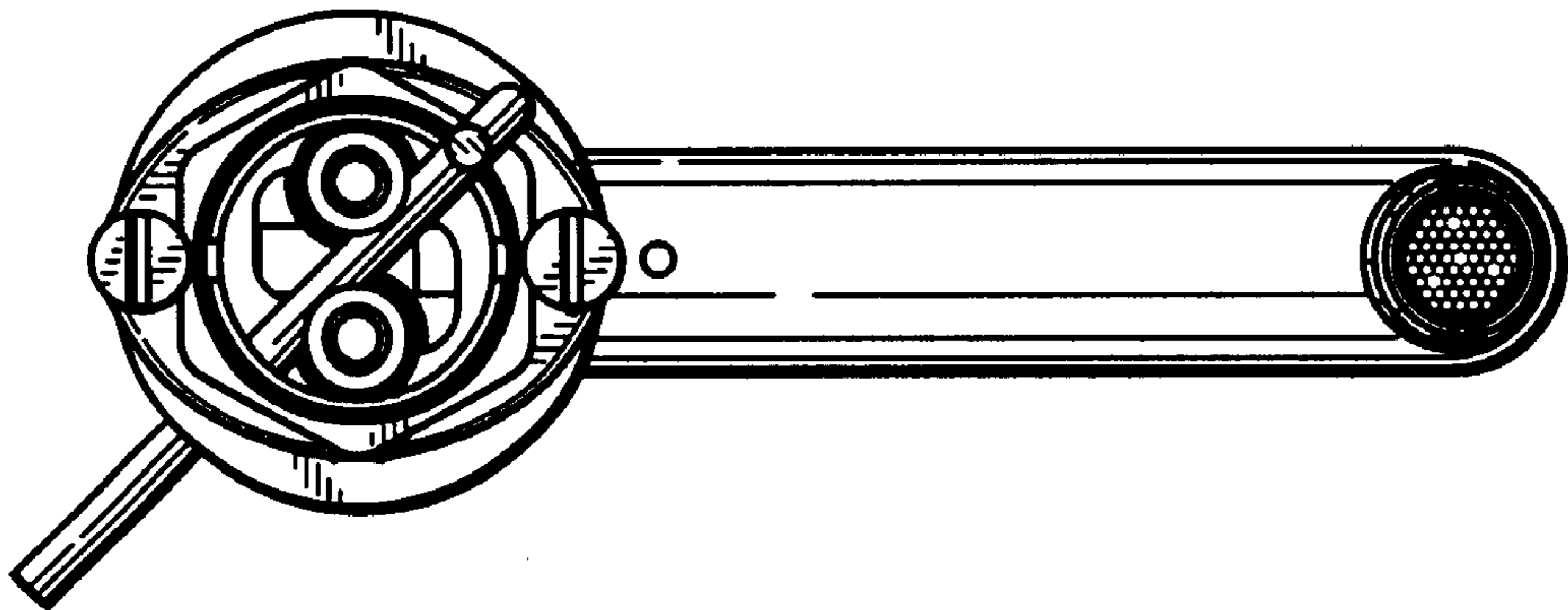
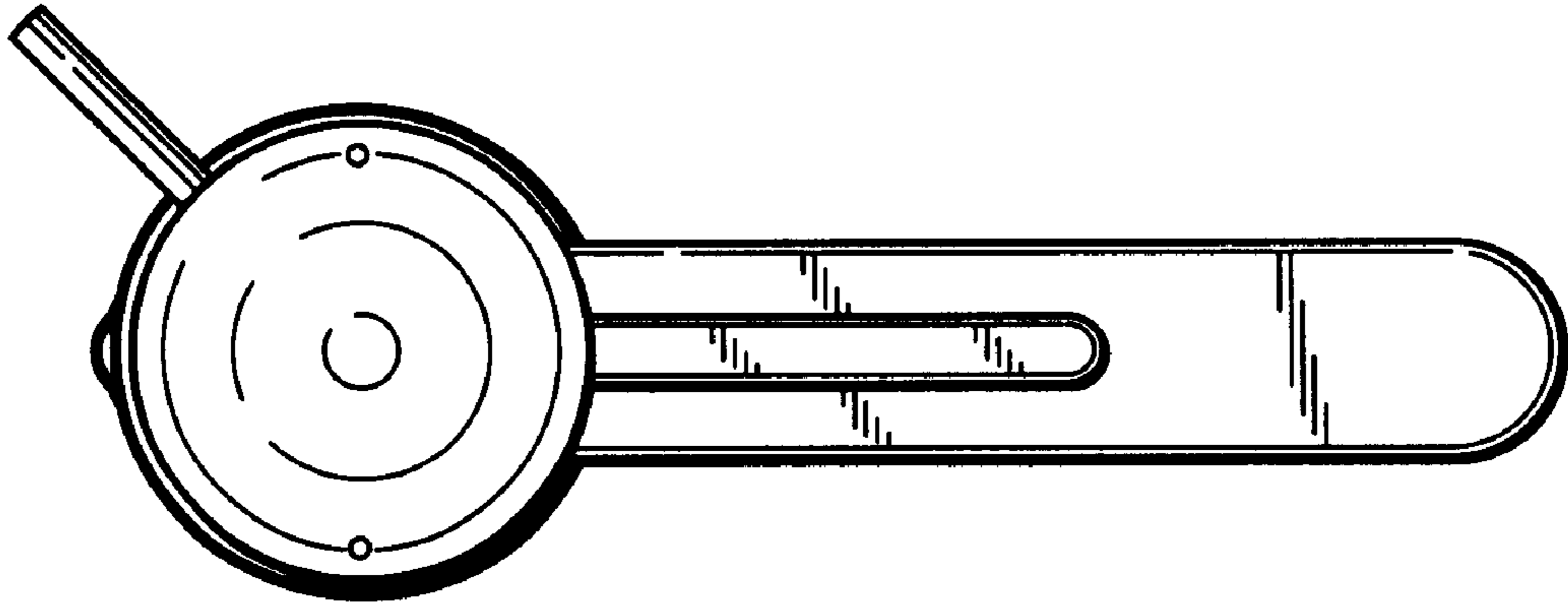


FIG. 7