



US00D487127S

(12) **United States Design Patent**
Madore

(10) **Patent No.:** **US D487,127 S**

(45) **Date of Patent:** **** Feb. 24, 2004**

- (54) **SET OF GOLF CLUB HEADS**
- (75) Inventor: **Carl L. Madore**, Portland, OR (US)
- (73) Assignee: **Nike, Inc.**, Beaverton, OR (US)
- (**) Term: **14 Years**

- D393,034 S 3/1998 Hilton et al.
- D393,036 S 3/1998 Helmstetter et al.
- D394,290 S 5/1998 Best et al.
- D398,687 S 9/1998 Miyajima et al.
- 5,800,282 A 9/1998 Hutin et al.
- D401,637 S 11/1998 Best et al.

(List continued on next page.)

- (21) Appl. No.: **29/179,343**
- (22) Filed: **Apr. 9, 2003**

Related U.S. Application Data

- (63) Continuation-in-part of application No. 29/167,540, filed on Sep. 18, 2002, now Pat. No. Des. 475,107, which is a continuation-in-part of application No. 29/167,578, filed on Sep. 18, 2002, now Pat. No. Des. 475,428, which is a continuation-in-part of application No. 29/167,580, filed on Sep. 18, 2002, now Pat. No. Des. 475,108.
- (51) **LOC (7) Cl.** **21-02**
- (52) **U.S. Cl.** **D21/759; D21/747**
- (58) **Field of Search** **D21/747-751, D21/759; 473/324, 327-331, 350, 287-291**

- (56) **References Cited**

U.S. PATENT DOCUMENTS

- D163,961 S 7/1951 Penna
- D164,596 S 9/1951 Penna
- D164,597 S 9/1951 Penna
- D179,092 S 10/1956 Pavlis
- D203,936 S 3/1966 Long
- 5,048,834 A 9/1991 Gorman
- D322,113 S 12/1991 Antonious
- D322,114 S 12/1991 Antonious
- 5,074,563 A 12/1991 Gorman
- D332,984 S 2/1993 Inuma et al.
- D336,672 S 6/1993 Gorman
- D339,183 S 9/1993 Stites, III
- D353,644 S 12/1994 Hirsch et al.
- D362,884 S 10/1995 Blough et al.
- D362,885 S 10/1995 Blough et al.
- D362,887 S 10/1995 Blough et al.
- D368,753 S 4/1996 Blough et al.
- D380,031 S 6/1997 Hutin et al.
- 5,658,209 A 8/1997 Blackemore

OTHER PUBLICATIONS

- Goldsmith Clubhead & Components Catalog 1997 pp. 4 and 19, dated 1997.
- Edwin Watts Golf Shops Catalog Summer 1998 pp. 16 and 35, dated Summer 1998.
- Goldsmith Clubmaking Catalog 1999 p. 21, dated 1999.
- Goldsmith Store Catalog Holiday 2000 p. 53, dated Holiday 2000.

(List continued on next page.)

Primary Examiner—Mitchell Siegel

(74) *Attorney, Agent, or Firm*—Banner & Witcoff, Ltd.

(57) **CLAIM**

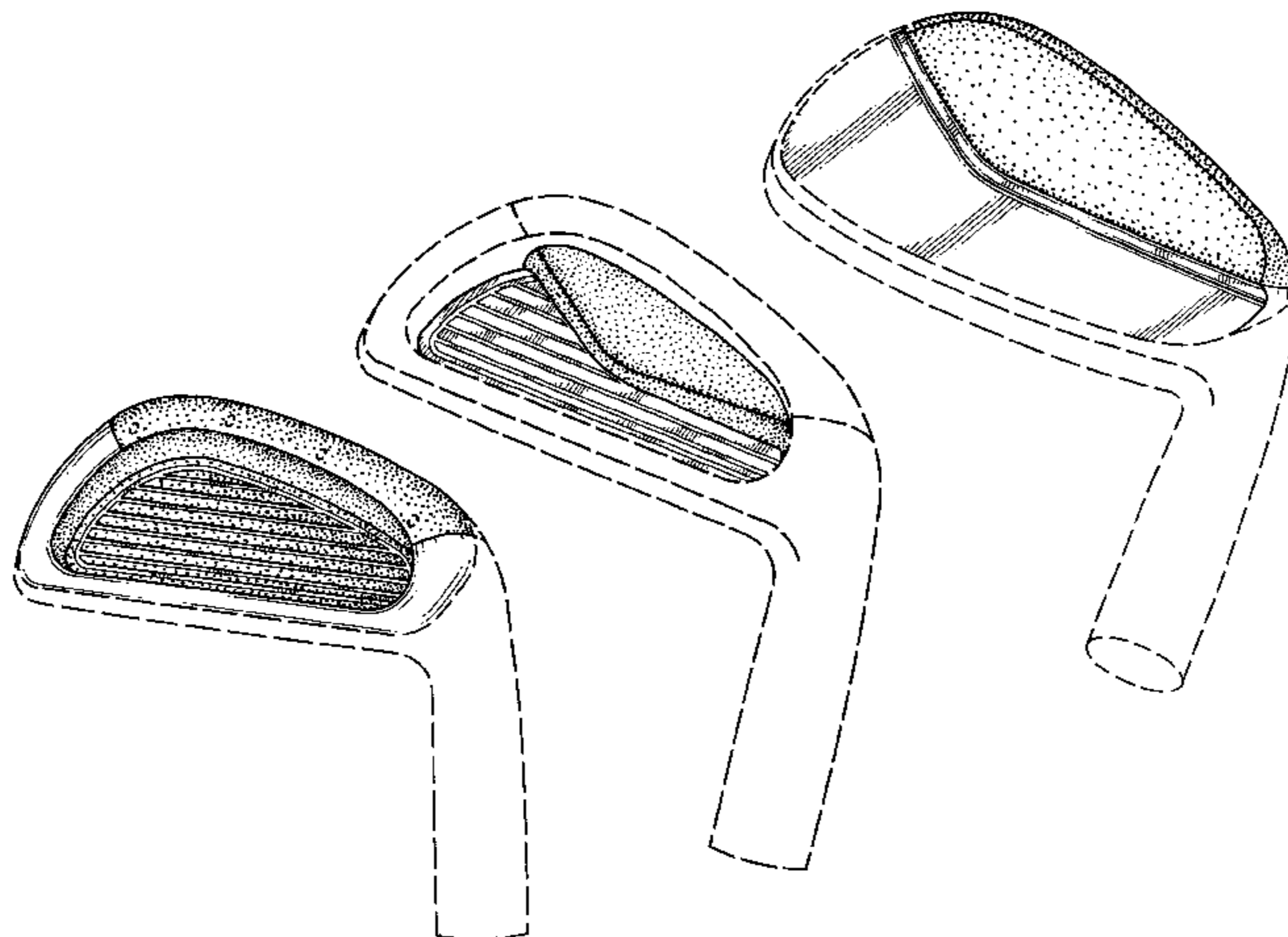
The ornamental design for a set of golf club heads, as shown and described.

DESCRIPTION

FIG. 1 is a perspective rear view of a set of golf club heads, including but not limited the depicted first, second and third golf club heads from left to right, showing my new design; FIG. 2 is a rear view of the set of golf club heads shown in FIG. 1; and, FIG. 3 is a top view of the first golf club head shown in FIGS. 1 and 2; FIG. 4 is a bottom view of the first golf club head shown in FIG. 1 and 2; and, FIG. 5 is a bottom view of the third golf club head shown in FIGS. 1 and 2.

The broken line showing of the circular elements on the first golf club head and remainder of the each of the golf club heads is for illustrative purposes only and forms no part of the claimed design.

1 Claim, 4 Drawing Sheets



US D487,127 S

Page 2

U.S. PATENT DOCUMENTS

D412,545 S 8/1999 Best et al.
D413,369 S 8/1999 Peng
D417,248 S 11/1999 Matsuo
D422,043 S 3/2000 Kubica et al.
D424,643 S 5/2000 Stone et al.
D428,632 S * 7/2000 Besnard et al. D21/748
6,093,112 A * 7/2000 Peters et al. 473/291
D429,299 S 8/2000 Kubica et al.
D429,511 S 8/2000 Adams et al.
D432,611 S 10/2000 McCabe et al.
D434,462 S 11/2000 Reed et al.
D435,277 S 12/2000 Erickson et al.
D435,617 S 12/2000 Gilbert
D436,149 S 1/2001 Helmstetter et al.
D437,902 S 2/2001 Persinger
D438,276 S 2/2001 Craft et al.
6,183,376 B1 2/2001 Peters et al.
D441,821 S 5/2001 Turner
D442,659 S 5/2001 Kubica et al.
D443,008 S 5/2001 Kubica et al.
D443,665 S 6/2001 Mahaffey
D446,566 S 8/2001 McCabe et al.
6,280,348 B1 8/2001 Stites
6,290,607 B1 9/2001 Gilbert et al.
D453,949 S 2/2002 Helmstetter et al.
D454,606 S 3/2002 Helmstetter et al.
D454,932 S 3/2002 Mahaffey et al.
6,358,158 B2 3/2002 Peters et al.
D456,056 S 4/2002 Bakke
6,379,263 B2 4/2002 Erickson et al.
D458,328 S 6/2002 Solheim et al.
D460,991 S 7/2002 Madore
6,450,897 B2 9/2002 Stites et al.
D465,252 S 11/2002 McCabe
D465,253 S 11/2002 Best
6,482,104 B1 11/2002 Gilbert
D466,576 S 12/2002 Nagai et al.
D466,960 S 12/2002 Imamoto
D466,961 S 12/2002 Nagai et al.
6,491,593 B2 12/2002 Takeda
D468,787 S 1/2003 Oosthuizen
D468,788 S 1/2003 Bode et al.
D469,140 S 1/2003 Best

6,524,196 B1 2/2003 Yeh
6,530,846 B1 * 3/2003 Mase 473/290
D473,606 S * 4/2003 Milkelson et al. D21/747
2001/0014628 A1 8/2001 Erickson et al.
2002/0098910 A1 7/2002 Gilbert
2002/0115503 A1 8/2002 Erickson et al.
2002/0173376 A1 11/2002 Stites et al.
2003/0017886 A1 1/2003 Takeda

OTHER PUBLICATIONS

Edwin Watts Golf Catalog Holiday 2001 Gift Guide pp. 14, 25 and 34, dated Holiday 2001.
Edwin Watts Golf Spring 2002 p. 14, dated Spring 2002.
Edwin Watts Golf Holiday 2002 p. 32, dated Holiday 2002.
“V” Series II Pro Grind Irons, Monarch Golf Supply, Inc. printed from <http://www.monarkgolf.com/products/I-370.html> on Mar. 13, 2003 (2 color sheets).
V+ Progressive Weighted Irons, Alternative Golf Australia, printed from <http://www.alternativegolf.com.au/iproduct-V+pro.htm> on Apr. 7, 2003 (7 total color sheets including pages from related link page).
Turbo Power V (Nike Style) 3-SW Stainless Steel Shafted Irons, www.golf-components.com (In Golf Inc.), printed from <http://www.golf-components.com/turpowvnikst.html> on Apr. 7, 2003 (7 total color sheets including pages from related link page).
V+ (Nike Style) 3-SW Cavity Back Steel Shafted Iron S, www.golf-components.com (In Golf Inc.), printed from <http://www.golf-components.com/vnikstyl3swc1.html> on Apr. 7, 2003 (6 total color sheets including pages from related link page).
Alternative Golf Equipment, “Nike Pro Combo Style Irons”, www.golfstix.com, printed from <http://www.golfstix.com/nikprocomsty.html> on Apr. 7, 2003 (5 total color sheets including pages from related link page).
V Turbo Power Irons—clone nike golf clubs, golf clones, discount golf clubs, clone golf clubs, Monte’s Golf, printed from <http://montesgolf.com/home/mg1/page/1/9> on Apr. 7, 2003 (2 total color sheets).

* cited by examiner

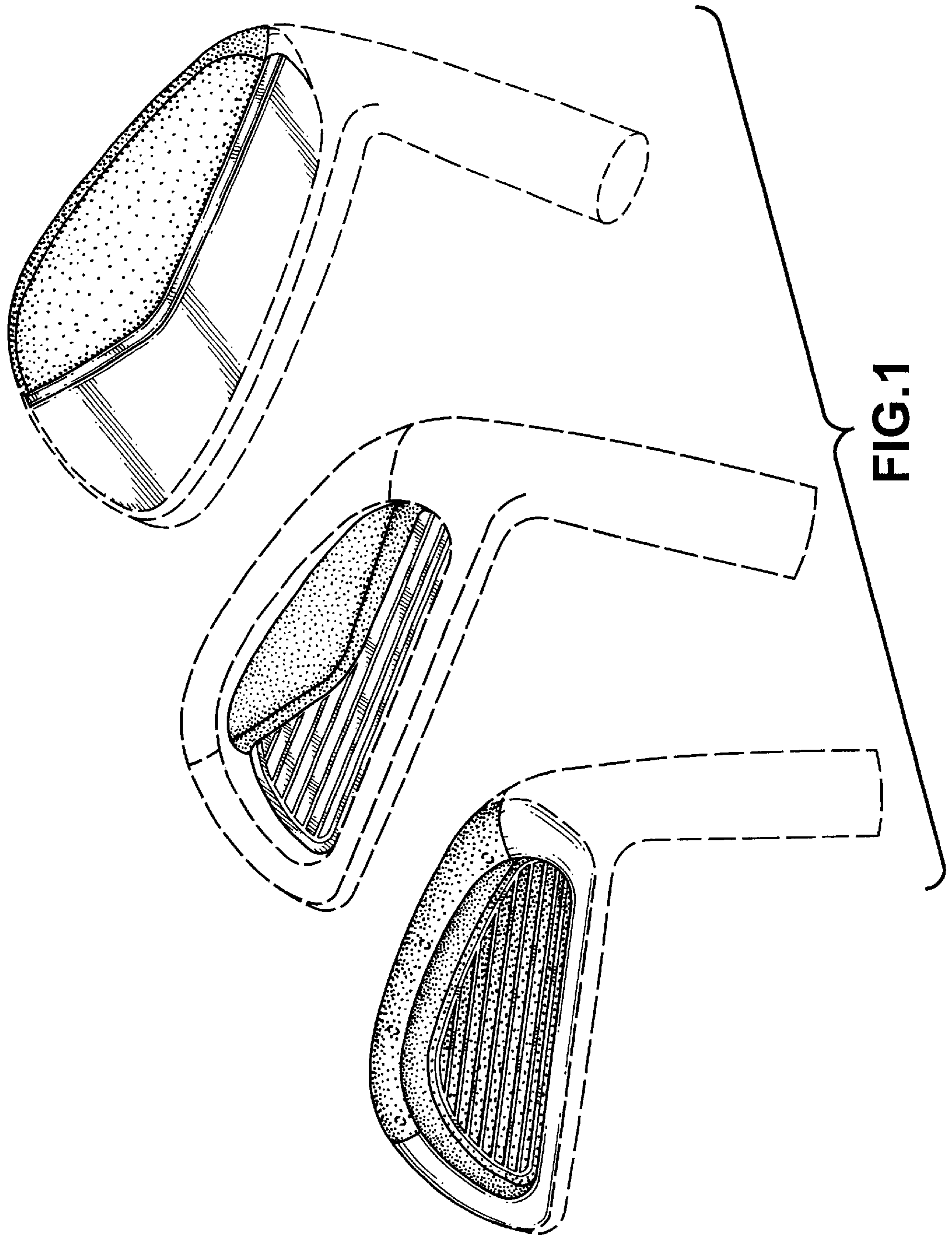


FIG. 1

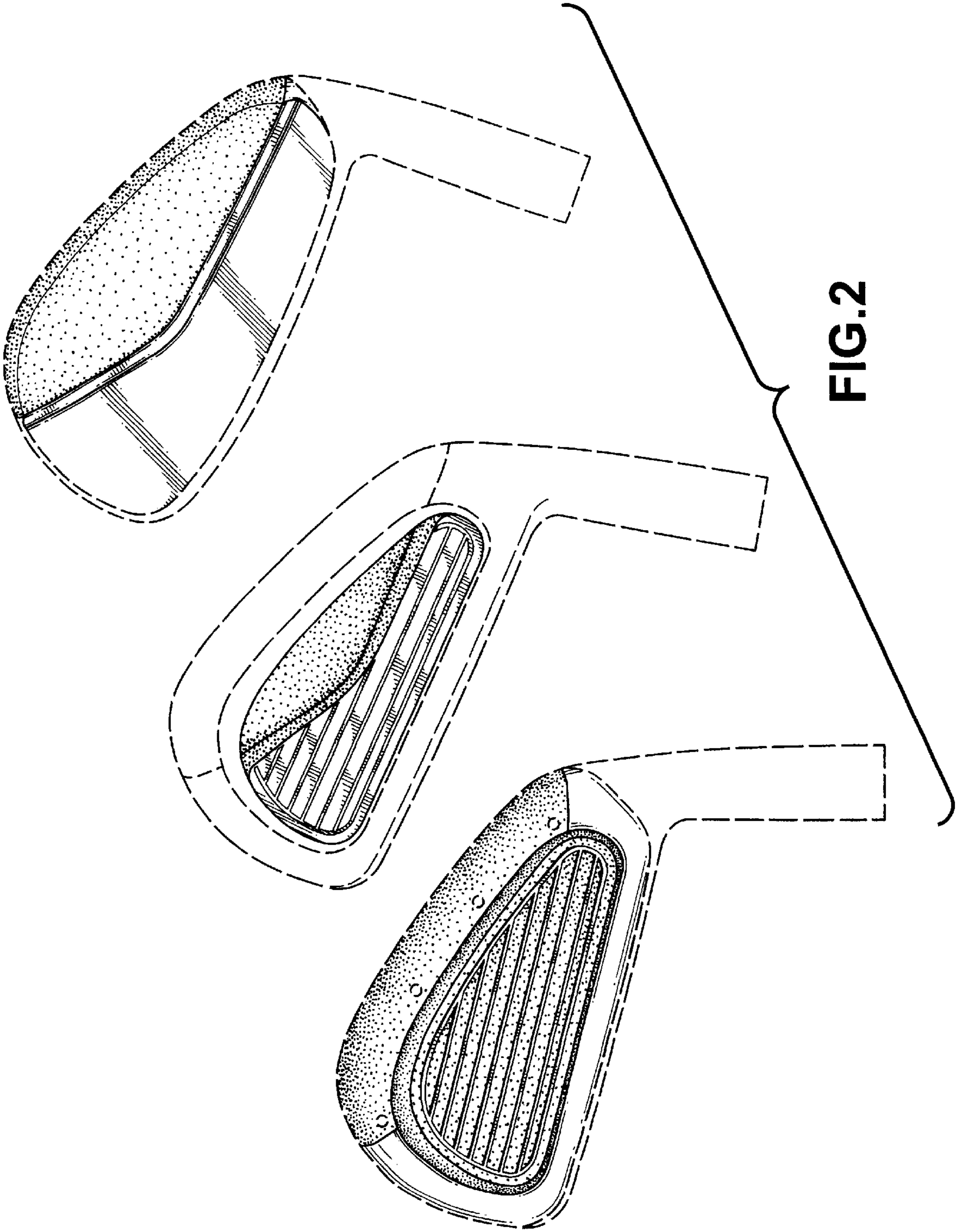


FIG. 2

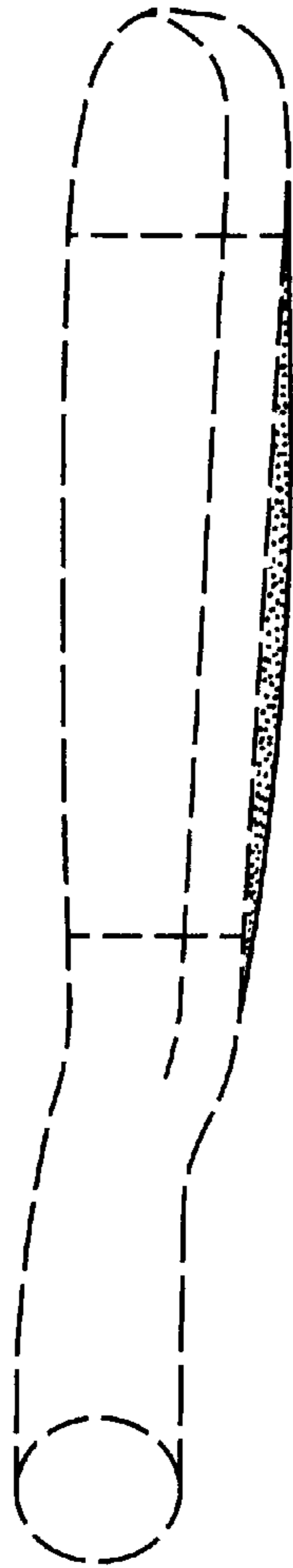


FIG. 3

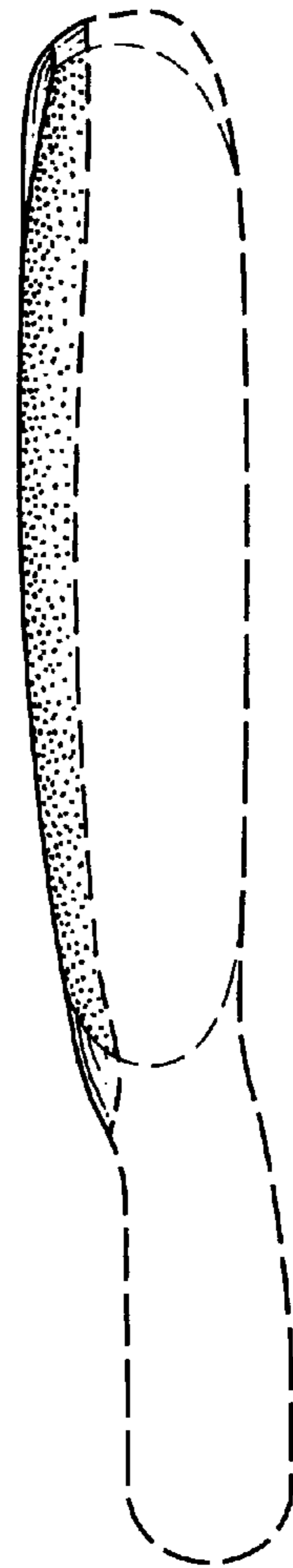


FIG. 4

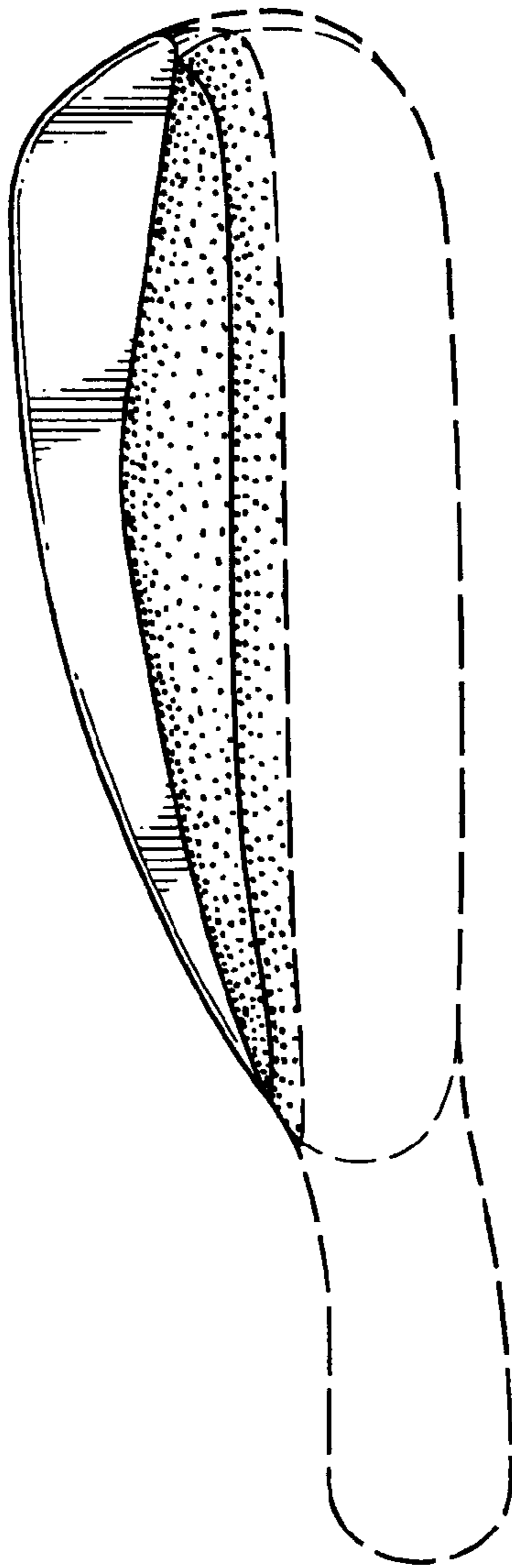


FIG. 5