



US00D487123S

(12) **United States Design Patent** (10) **Patent No.:** **US D487,123 S**
Ihli (45) **Date of Patent:** **** Feb. 24, 2004**

(54) **HANDHELD EXERCISE DEVICE**

(57) **CLAIM**

(76) **Inventor:** **Stephen P. Ihli**, 423-D San Vicente Blvd., Santa Monica, CA (US) 90402

The ornamental design for a handheld exercise device, as shown and described.

(**) **Term:** **14 Years**

DESCRIPTION

(21) **Appl. No.:** **29/173,271**

FIG. 1 is a perspective view of a first embodiment of a handheld exercise device, showing my new design;

(22) **Filed:** **Dec. 24, 2002**

FIG. 2 is a top plan view thereof;

(51) **LOC (7) Cl.** **21-02**

FIG. 3 is a bottom plan view thereof;

(52) **U.S. Cl.** **D21/684; D21/662**

FIG. 4 is a front elevational view thereof;

(58) **Field of Search** D21/662, 684, D21/692, 694; 482/121, 122, 123, 124, 125, 126, 44

FIG. 5 is a rear elevational view thereof;

FIG. 6 is a side elevational view thereof looking from the left side;

(56) **References Cited**

U.S. PATENT DOCUMENTS

4,961,573 A	*	10/1990	Wehrell	482/74
5,618,249 A	*	4/1997	Marshall	482/127
D399,272 S	*	10/1998	Zwonitzer	D21/683
D414,228 S	*	9/1999	Zwonitzer	D21/694

FIG. 7 is a side elevational view thereof looking from the right side;

FIG. 8 is a perspective view of a second embodiment of a handheld exercise device, showing my new design;

FIG. 9 is a top plan view thereof;

FIG. 10 is a bottom plan view thereof;

FIG. 11 is a front elevational view thereof;

FIG. 12 is a rear elevational view thereof;

FIG. 13 is a side elevational view thereof looking from the left side; and,

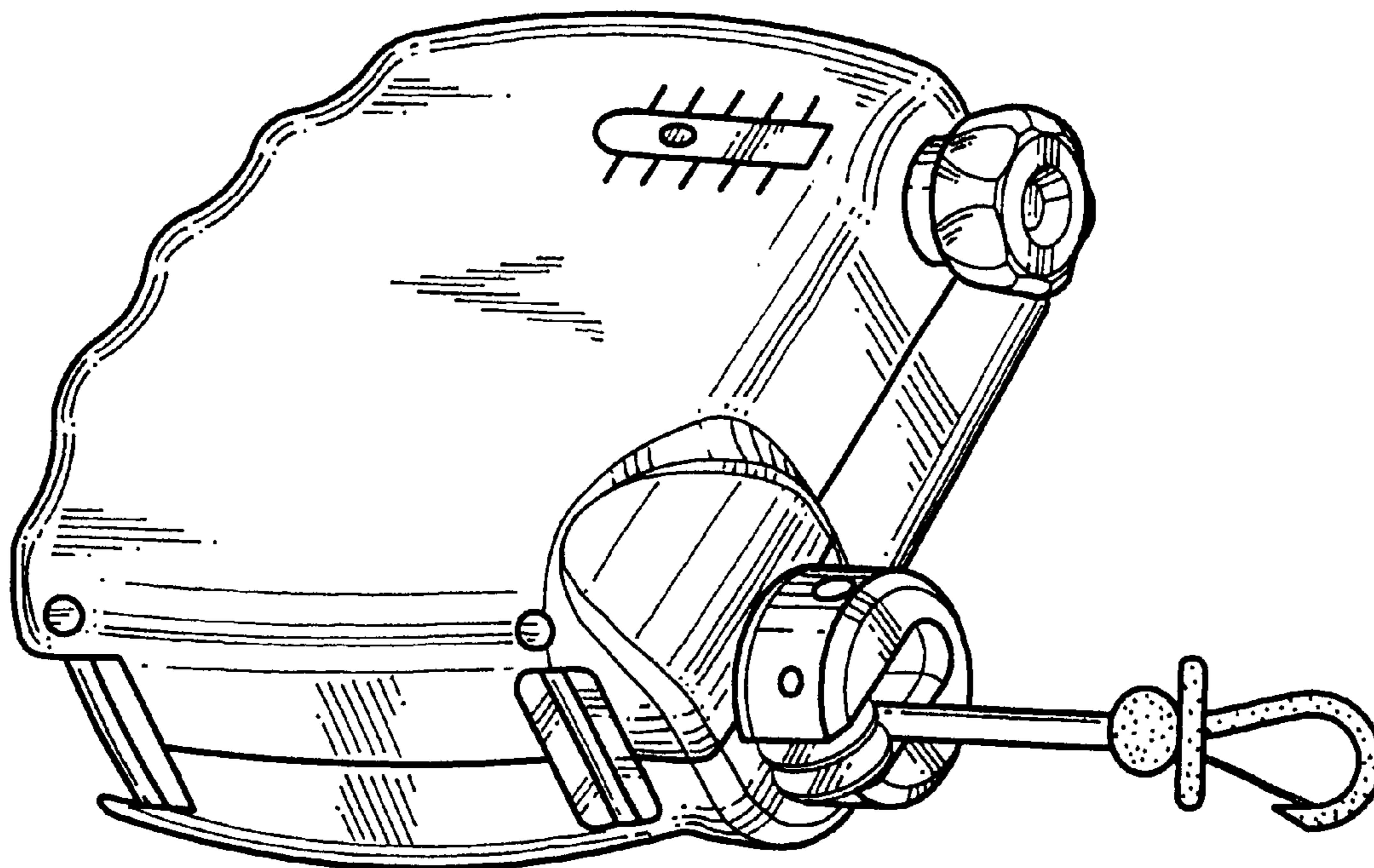
FIG. 14 is a side elevational view thereof looking from the right side.

* cited by examiner

Primary Examiner—Philip S. Hyder

(74) *Attorney, Agent, or Firm*—Thomas I. Rozsa; Tony D. Chen

1 Claim, 6 Drawing Sheets



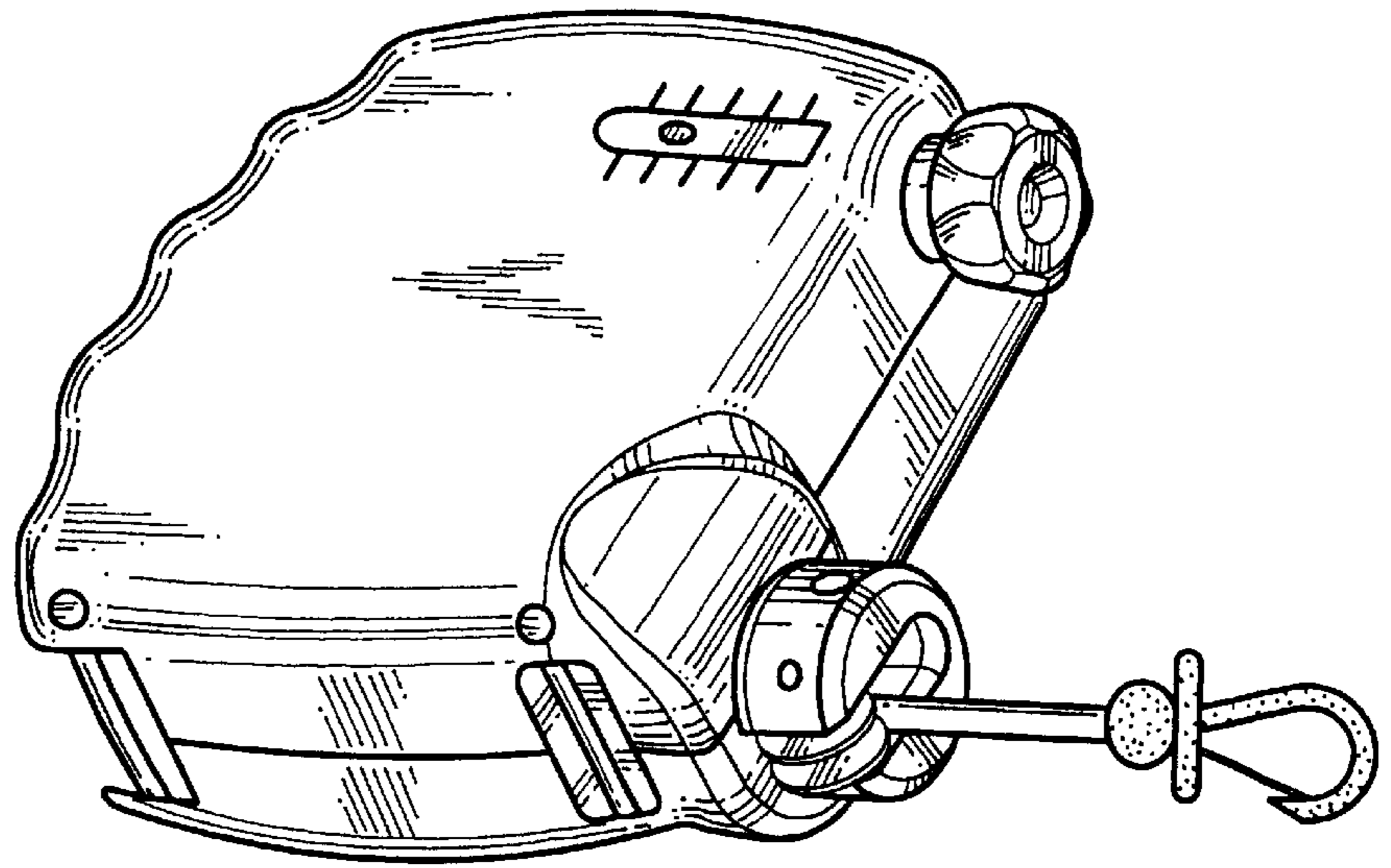


FIG.1

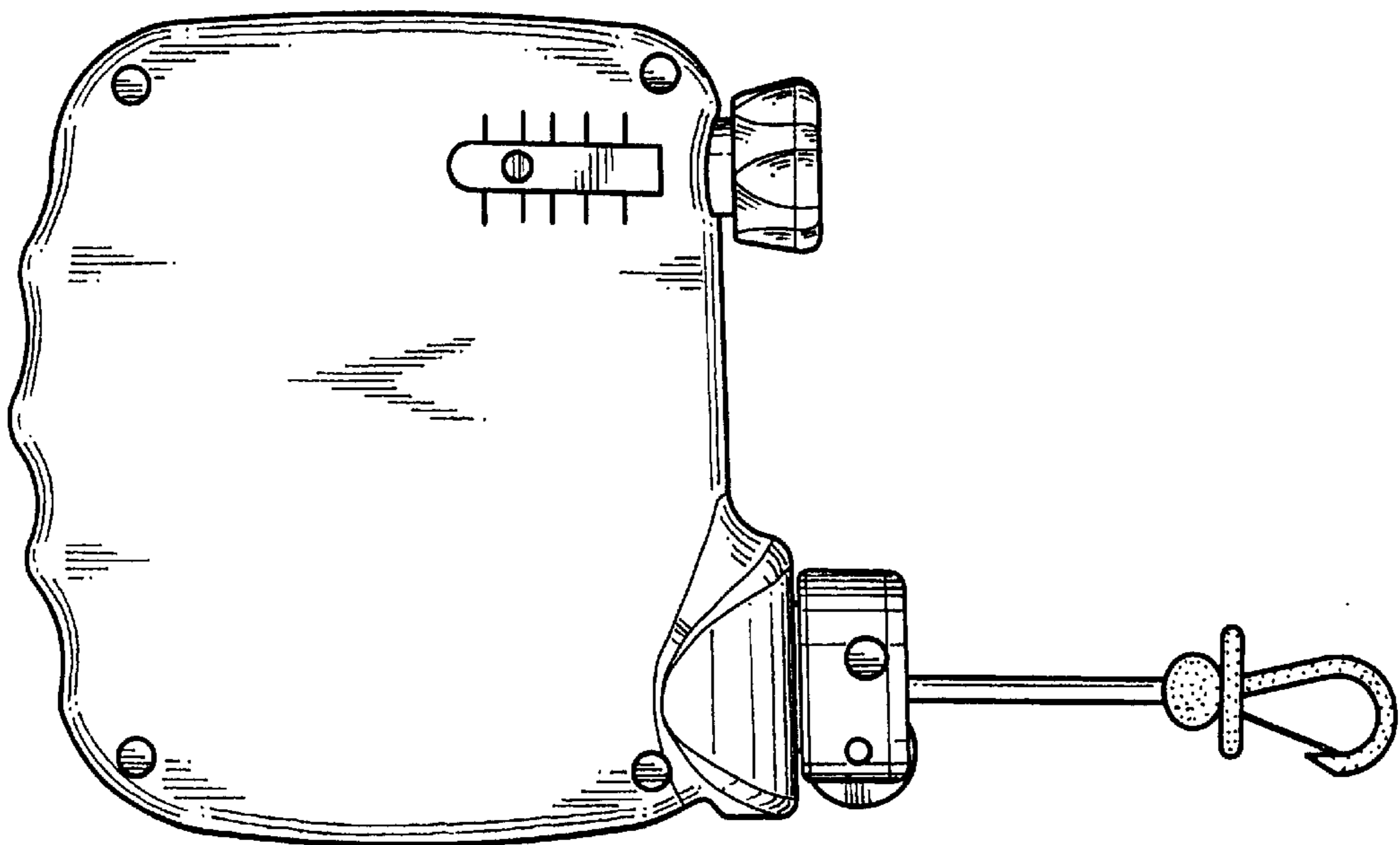


FIG.2

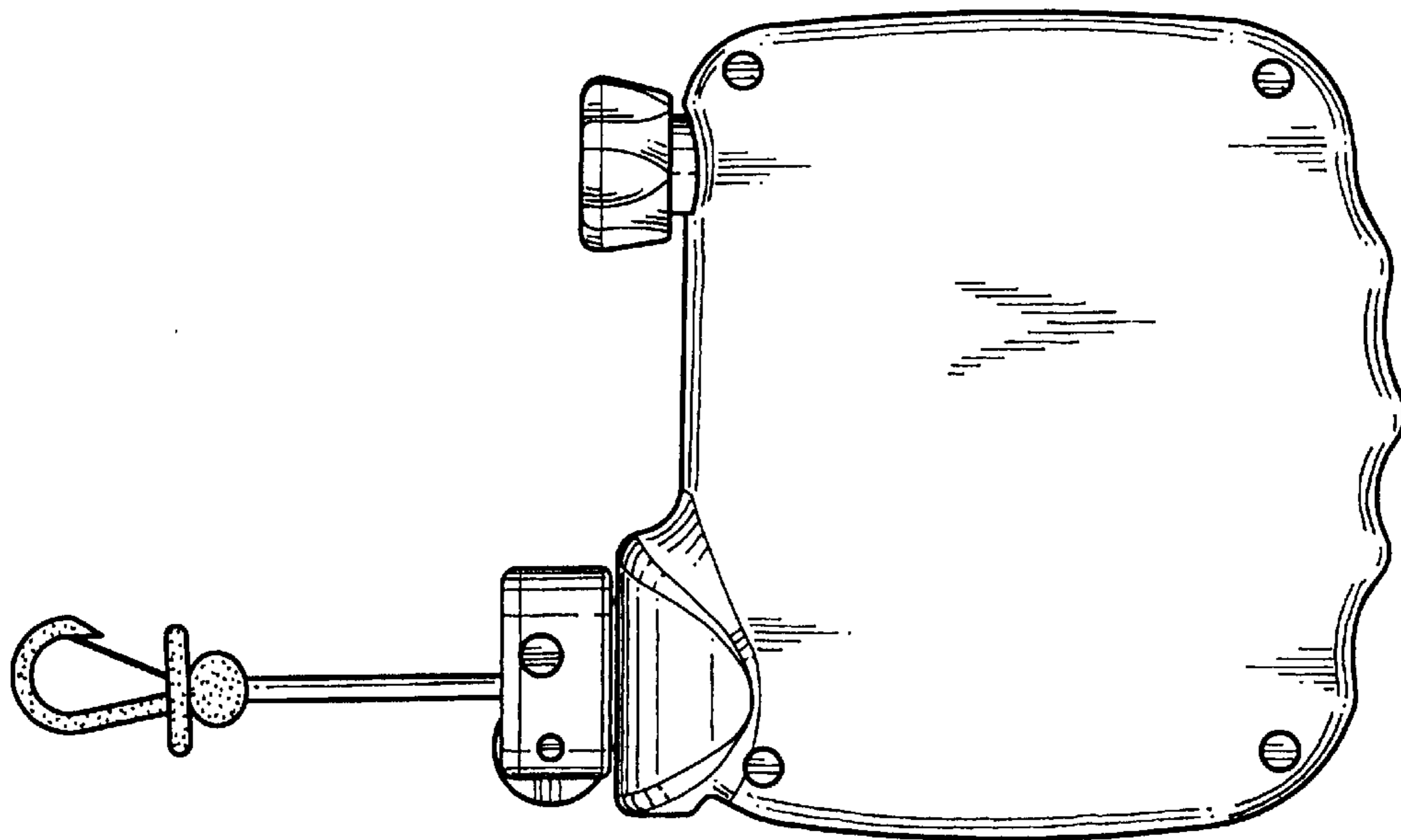


FIG.3

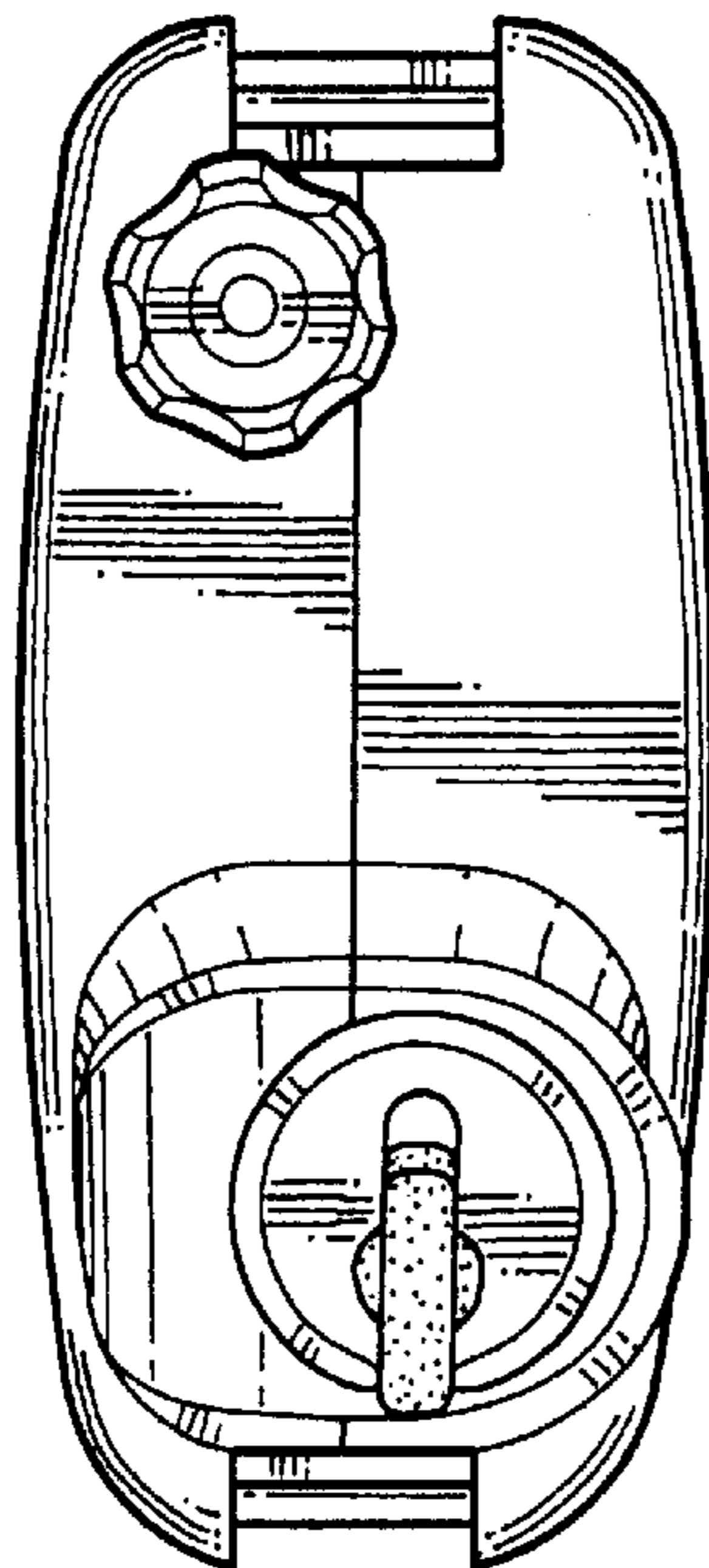


FIG.4

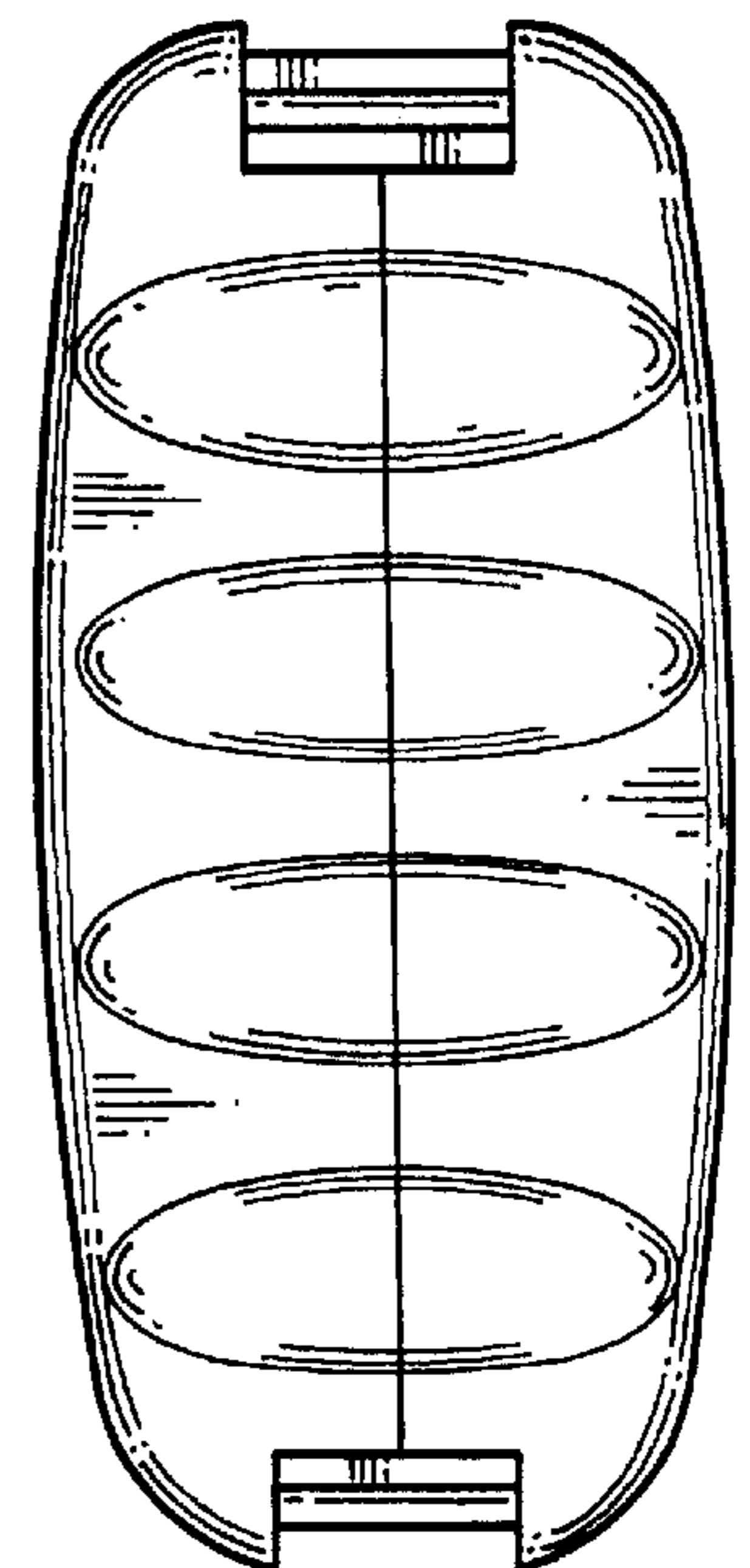


FIG.5

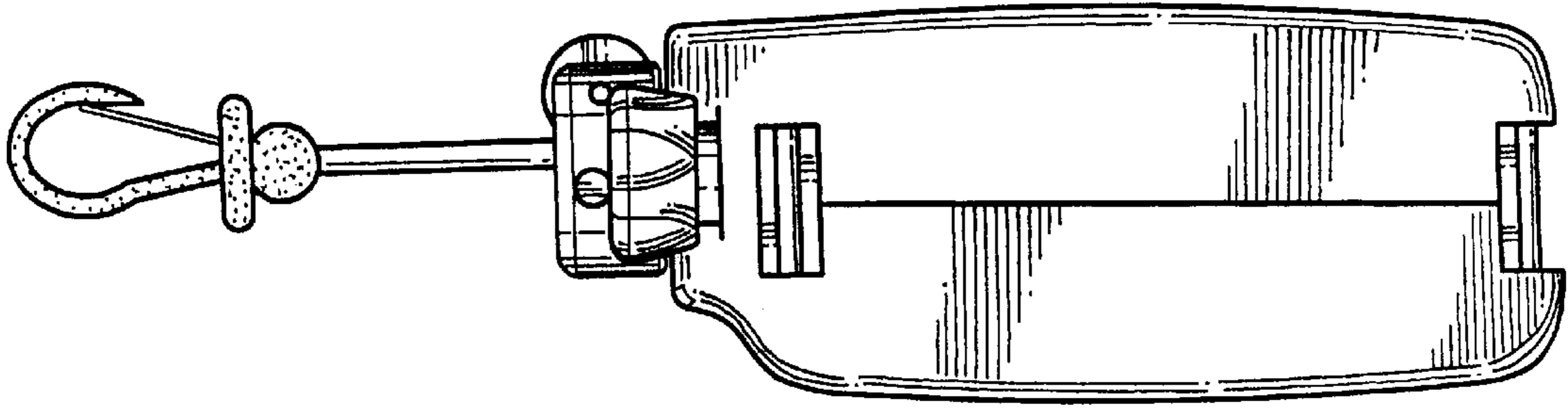


FIG.6

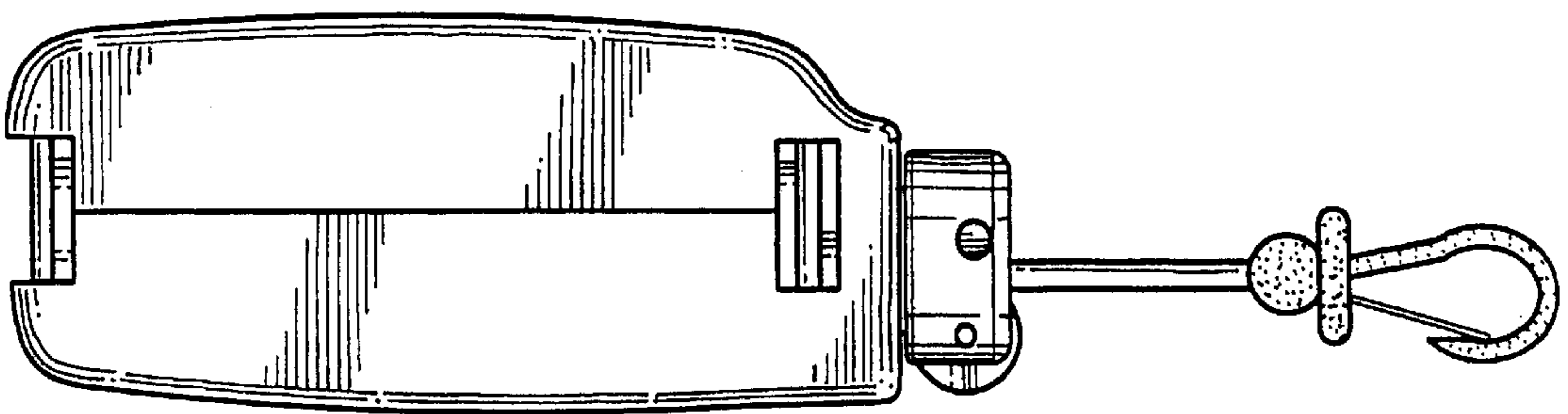


FIG.7

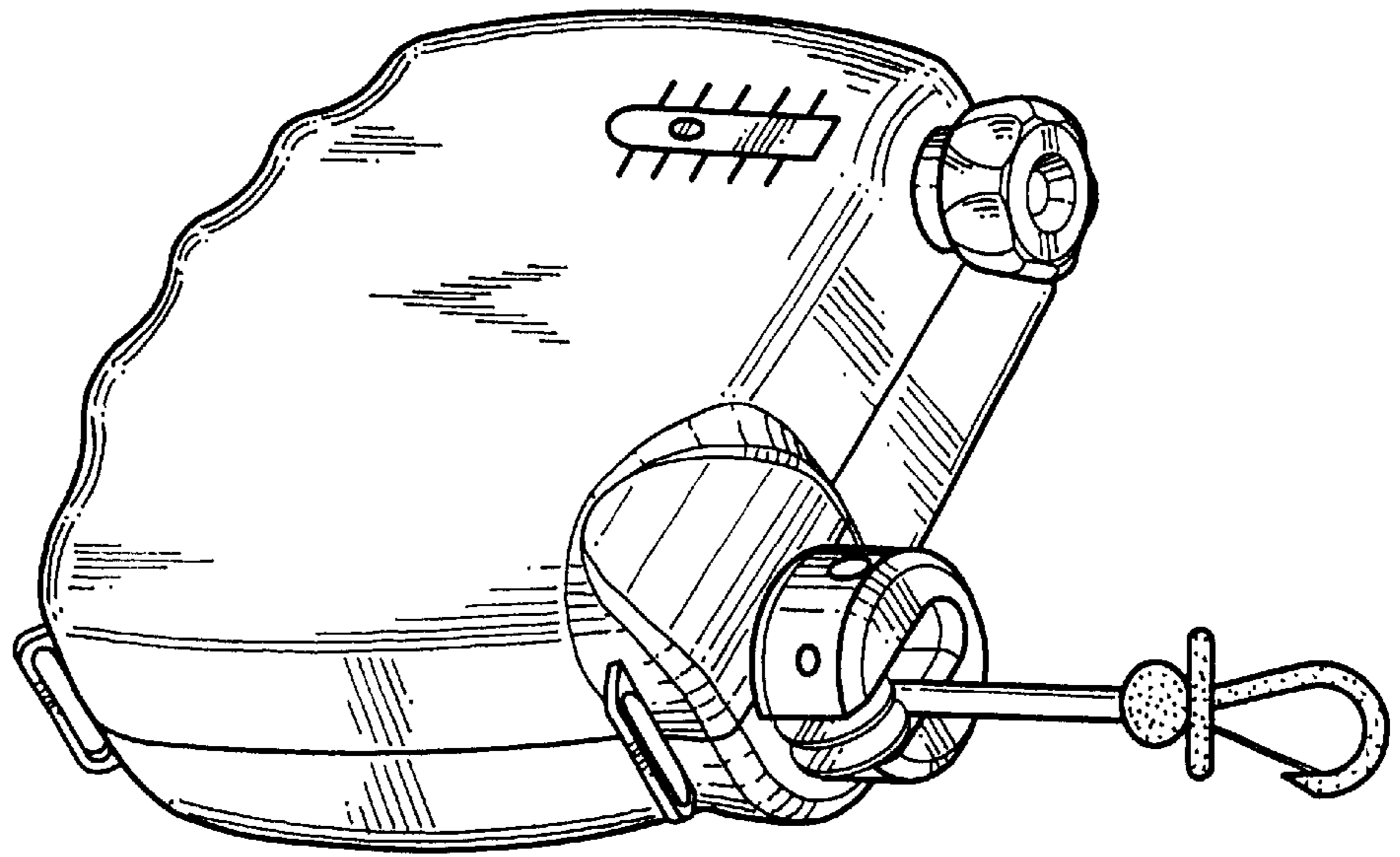


FIG. 8

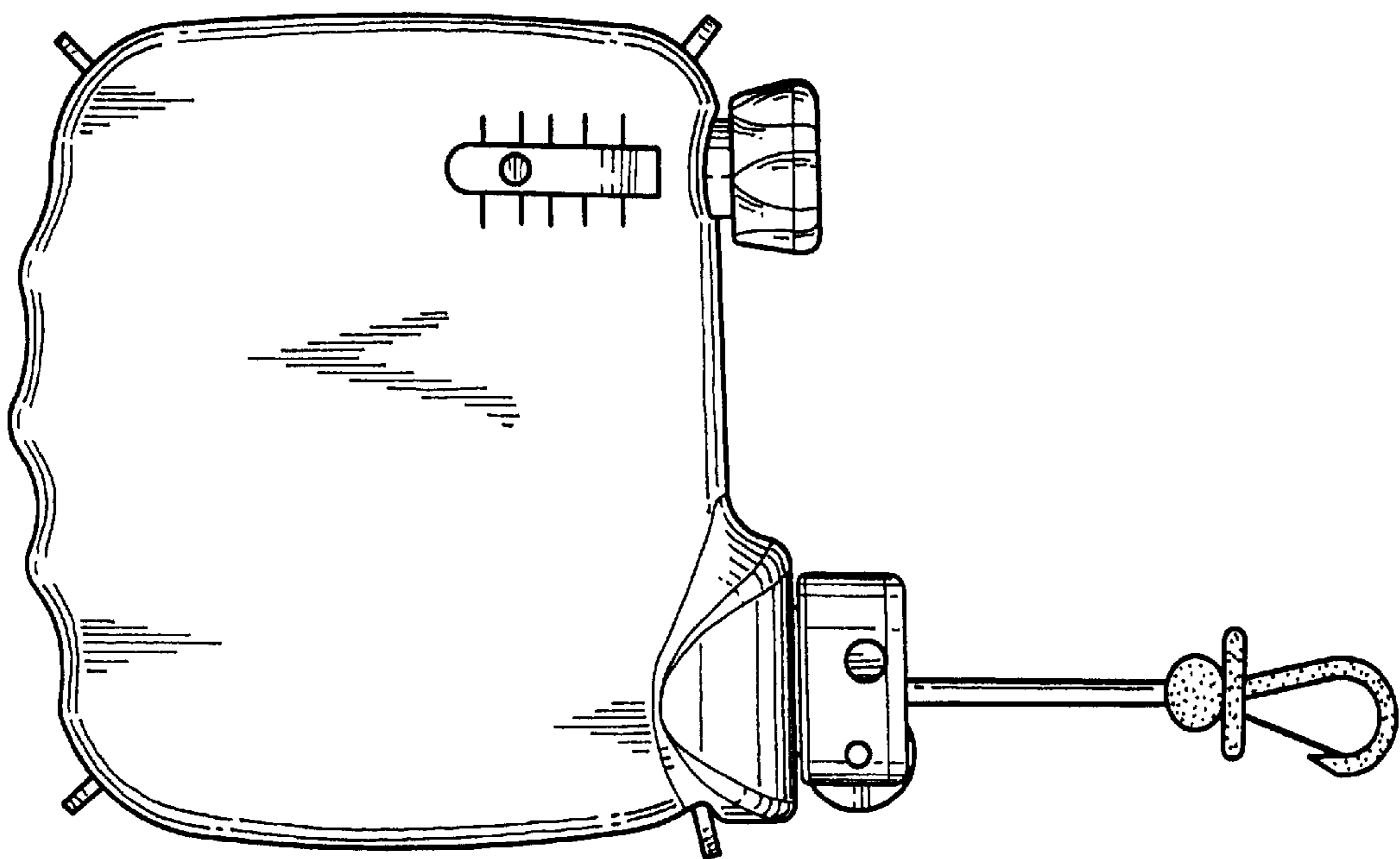


FIG. 9

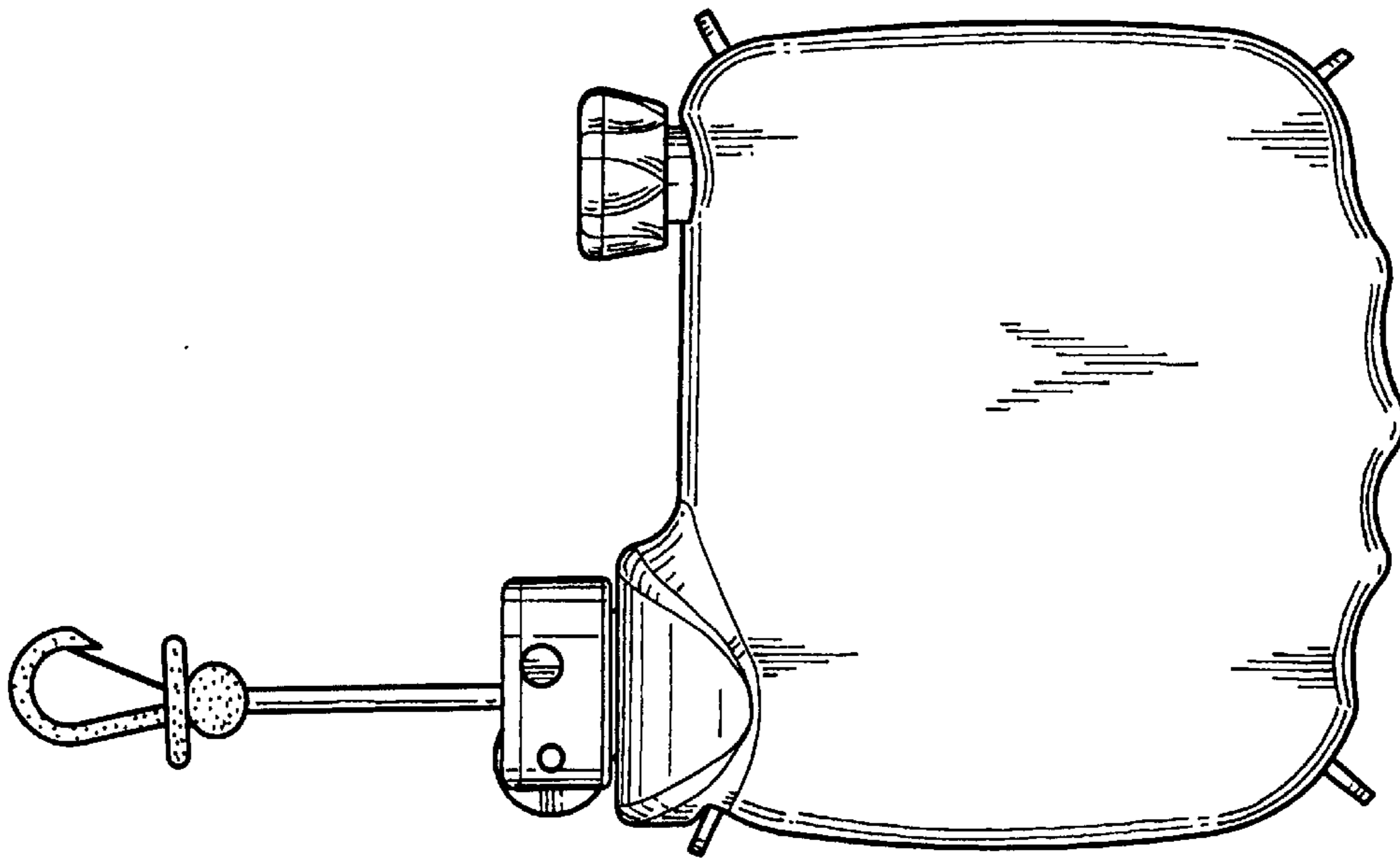


FIG. 10

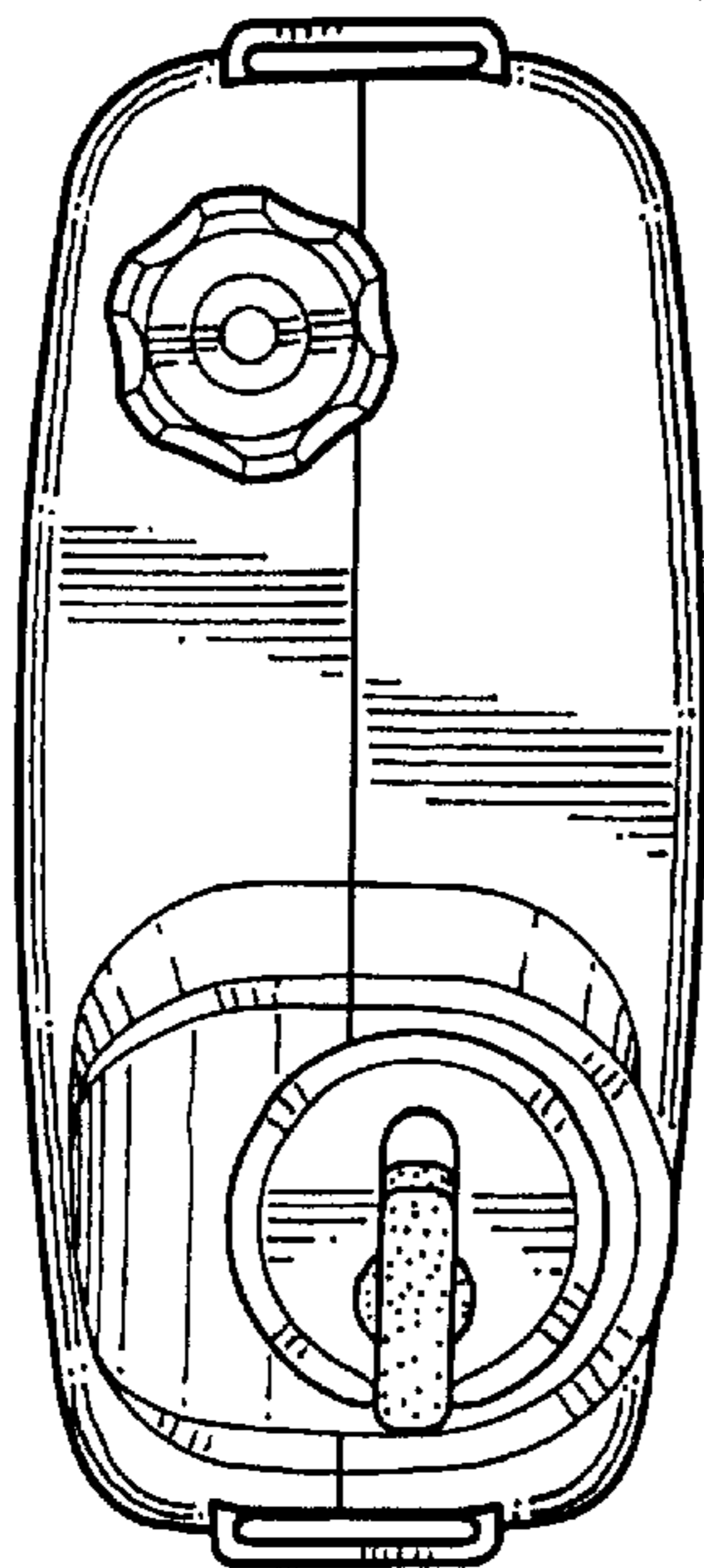


FIG. 11

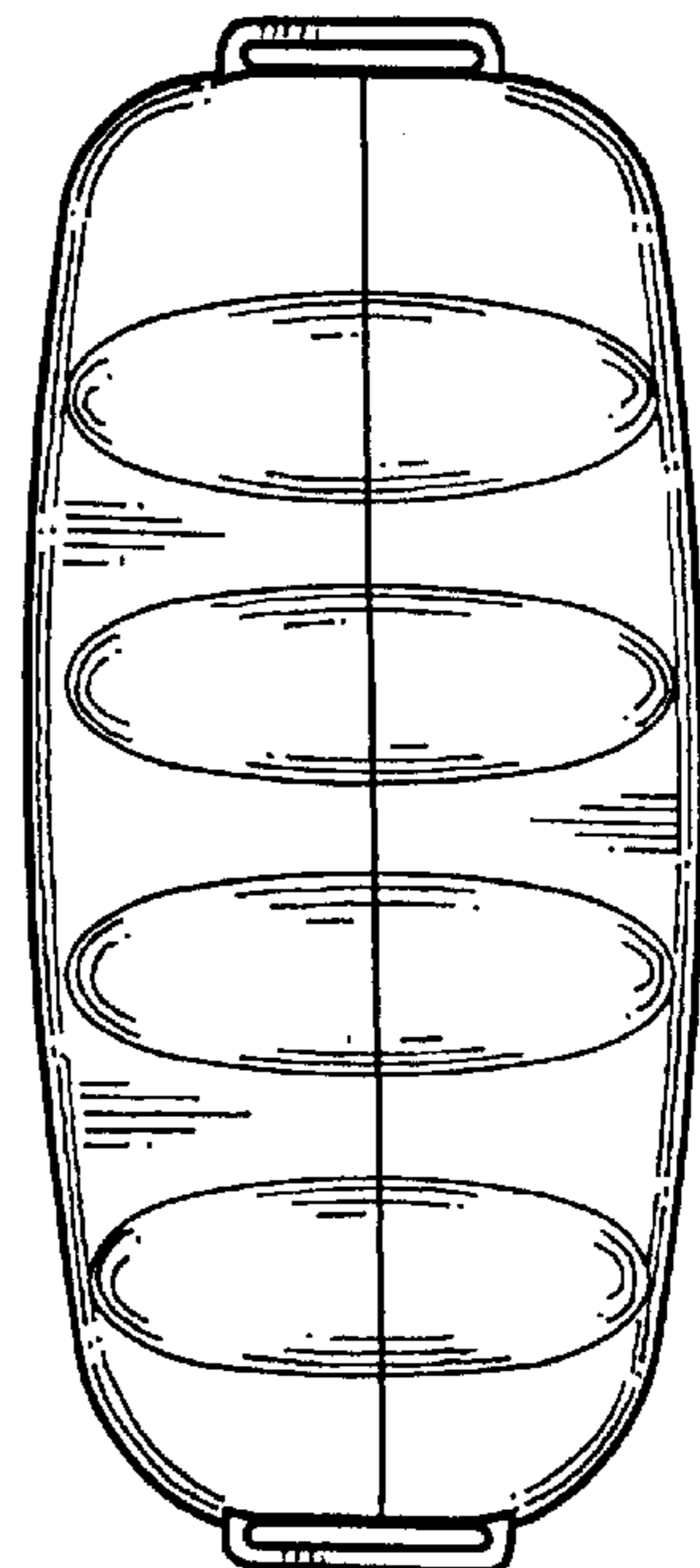


FIG. 12

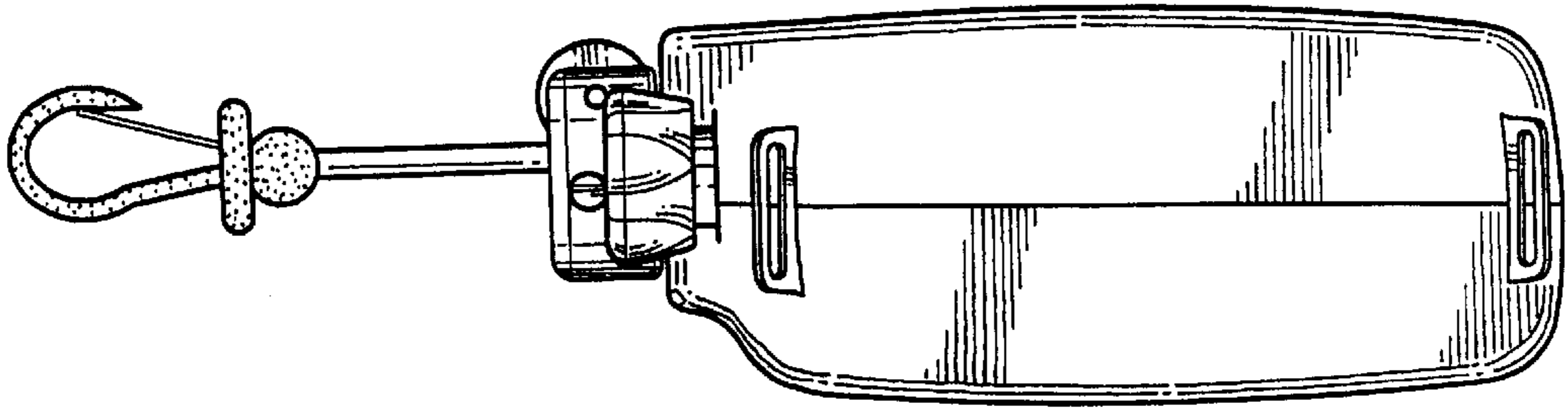


FIG.13

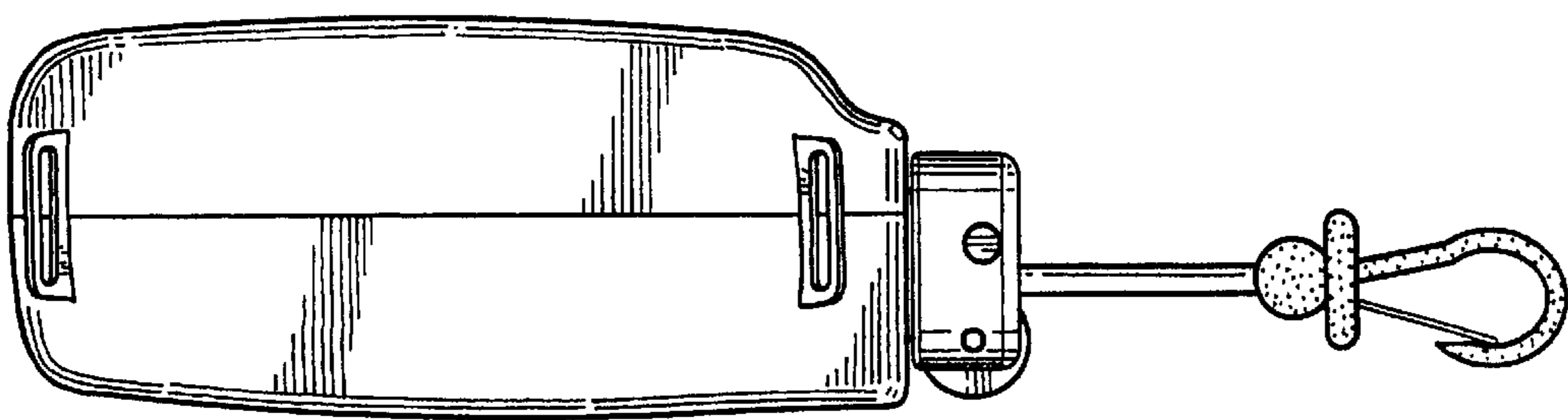


FIG.14