



US00D487120S

(12) **United States Design Patent**  
**Staat**

(10) **Patent No.:** **US D487,120 S**

(45) **Date of Patent:** **\*\* Feb. 24, 2004**

(54) **SCALE-SIZED MODEL TRAIN COUPLER**

5,785,192 A 7/1998 Dunham et al.

5,823,371 A 10/1998 Riley et al.

(75) **Inventor:** **Robert H. Staat, Goshen, KY (US)**

5,931,322 A 8/1999 Storzek

D421,280 S 2/2000 Grubb

(73) **Assignee:** **RCH, Inc., Goshen, KY (US)**

\* cited by examiner

(\*\*) **Term:** **14 Years**

*Primary Examiner*—Raphael Barkai

(21) **Appl. No.:** **29/175,932**

(74) *Attorney, Agent, or Firm*—Stites & Harbison PLLC;  
Mandy V. Wilson

(22) **Filed:** **Feb. 13, 2003**

(57) **CLAIM**

(51) **LOC (7) Cl.** ..... **21-01**

The ornamental design for a scale-sized model train coupler,  
as shown and described.

(52) **U.S. Cl.** ..... **D21/561**

(58) **Field of Search** ..... D21/540, 541,  
D21/561; 104/DIG. 1; 238/10 E, 10 F;  
213/75 TC; 446/467, 447

**DESCRIPTION**

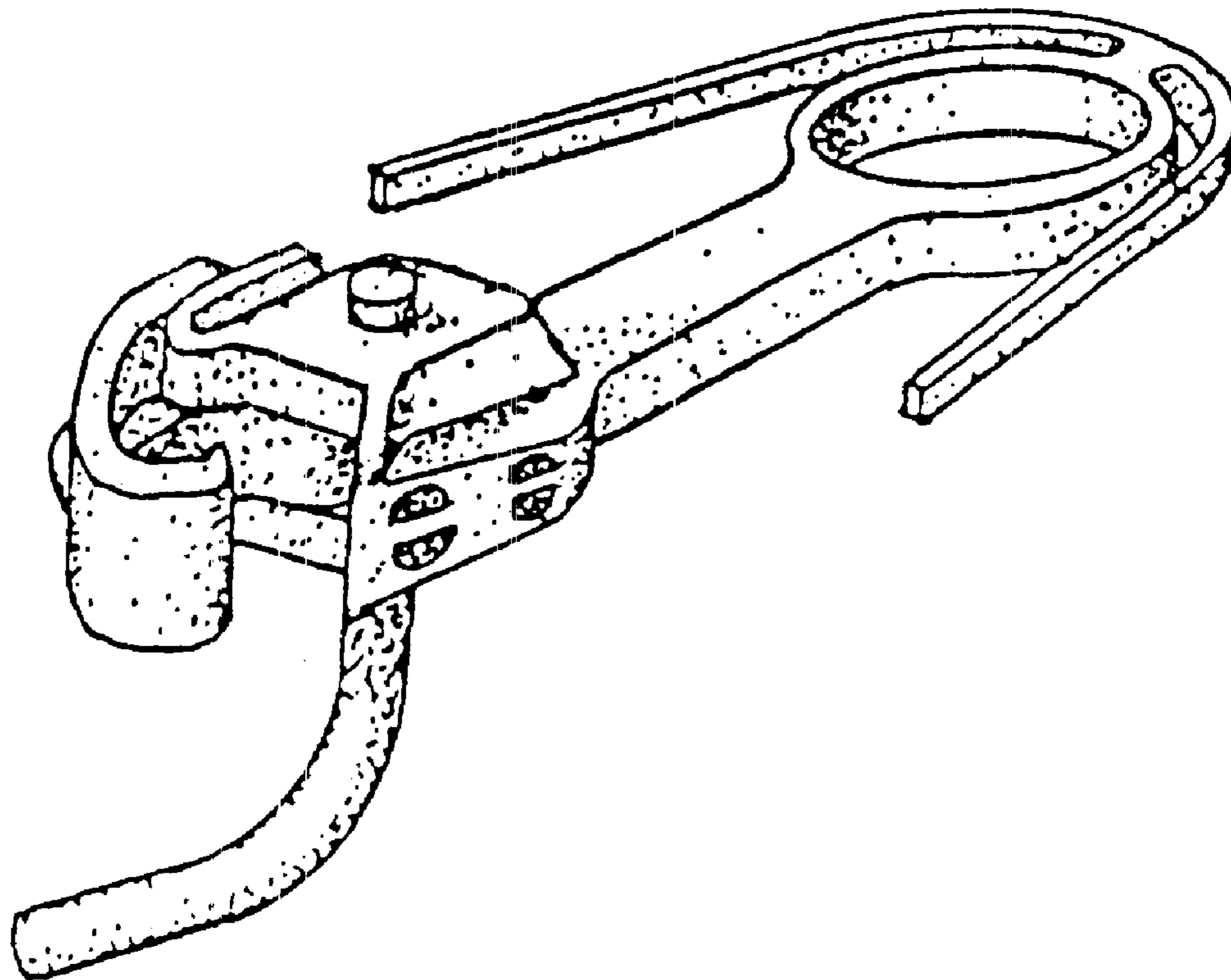
(56) **References Cited**

FIG. 1 is a perspective view of a scale-sized model train  
coupler showing my new design;  
FIG. 2 is a top view thereof,  
FIG. 3 is a bottom view thereof;  
FIG. 4 is a front view thereof;  
FIG. 5 is a left side view thereof;  
FIG. 6 is a rear view thereof; and,  
FIG. 7 is a right side view thereof.

**U.S. PATENT DOCUMENTS**

D318,880 S	*	8/1991	Cheung et al.	.....	D21/541
D326,693 S		6/1992	Gramera		
5,509,546 A		4/1996	Staat		
5,620,106 A		4/1997	Storzek		
5,662,229 A		9/1997	Edwards		

**1 Claim, 2 Drawing Sheets**



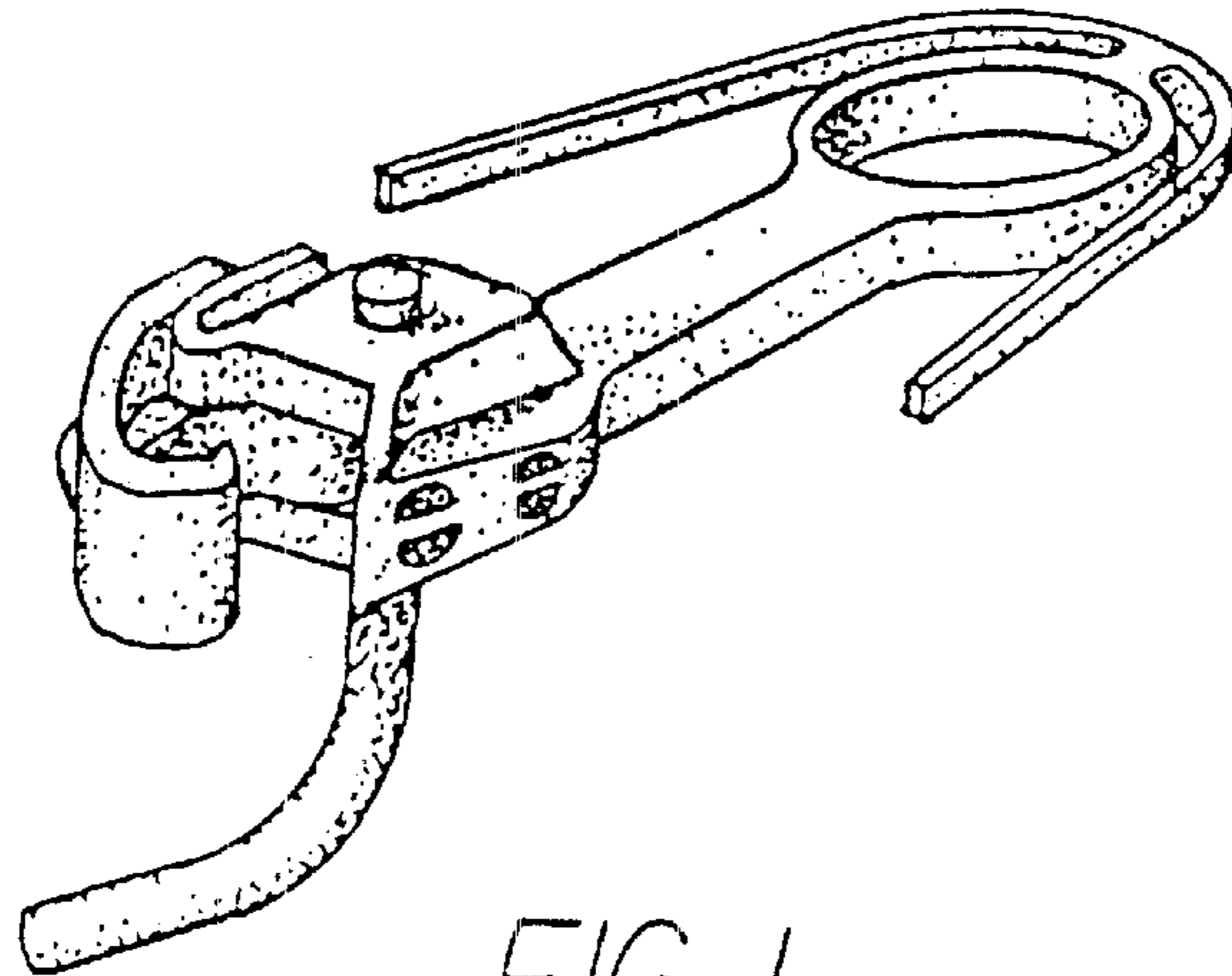


FIG. 1

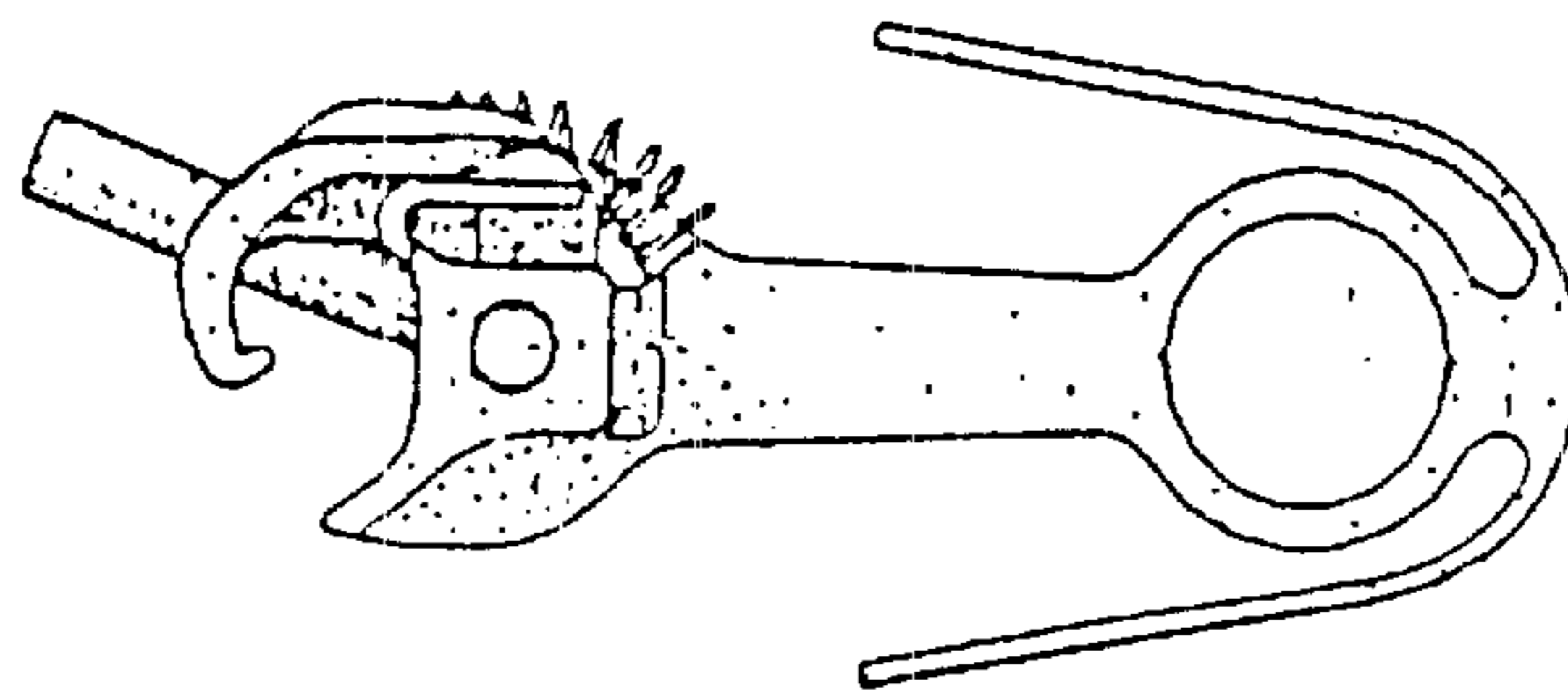


FIG. 2

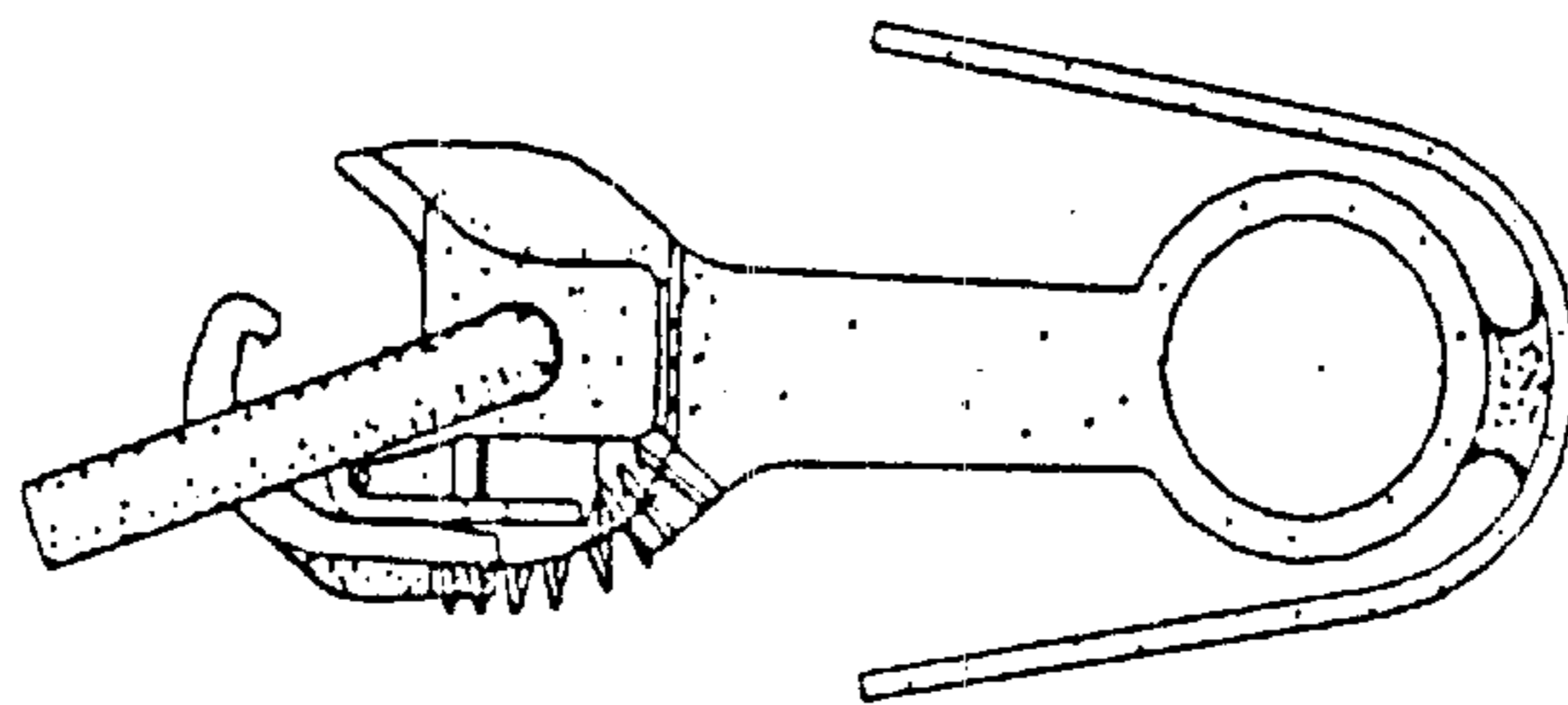


FIG. 3

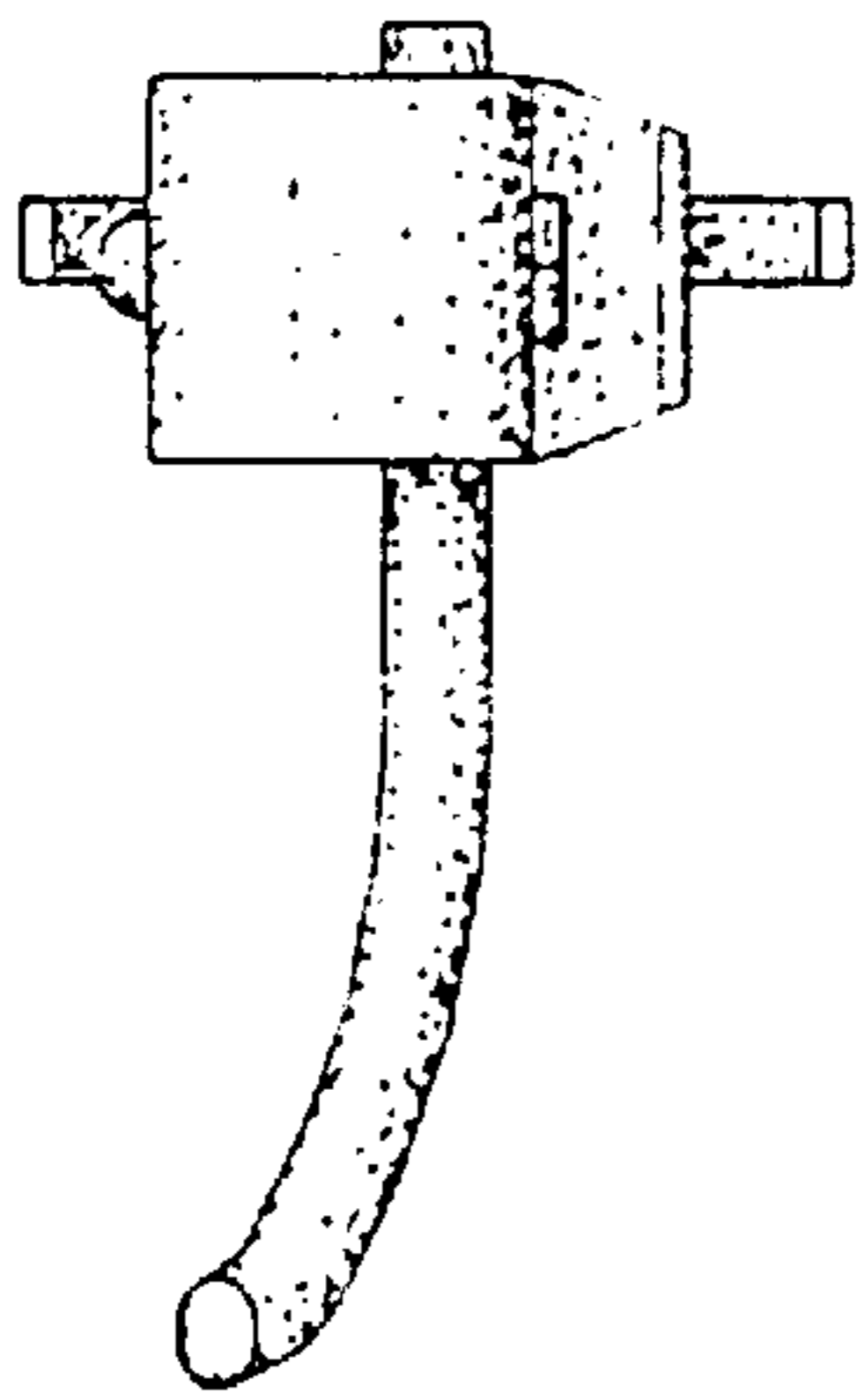


FIG. 4

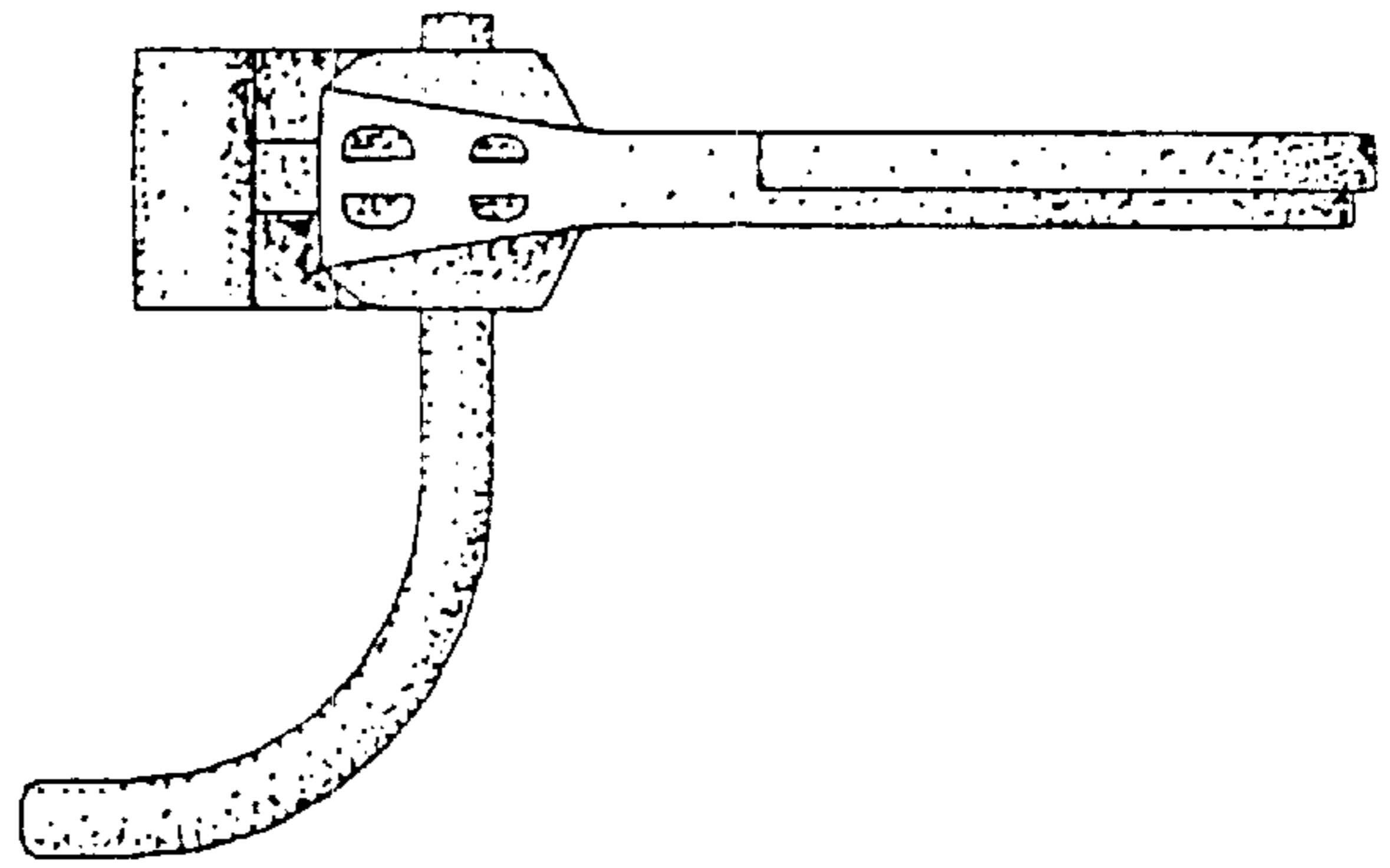


FIG. 5

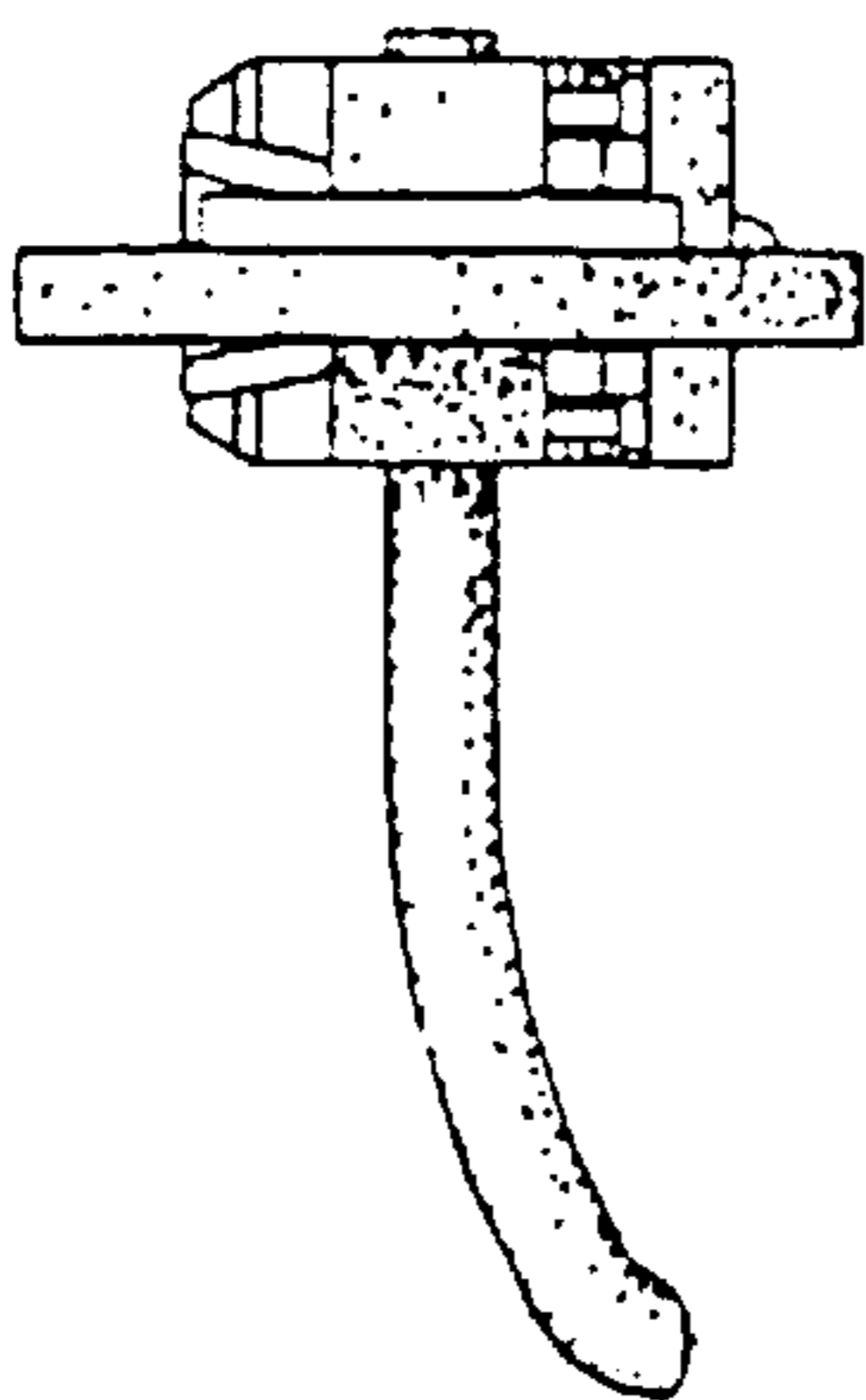


FIG. 6

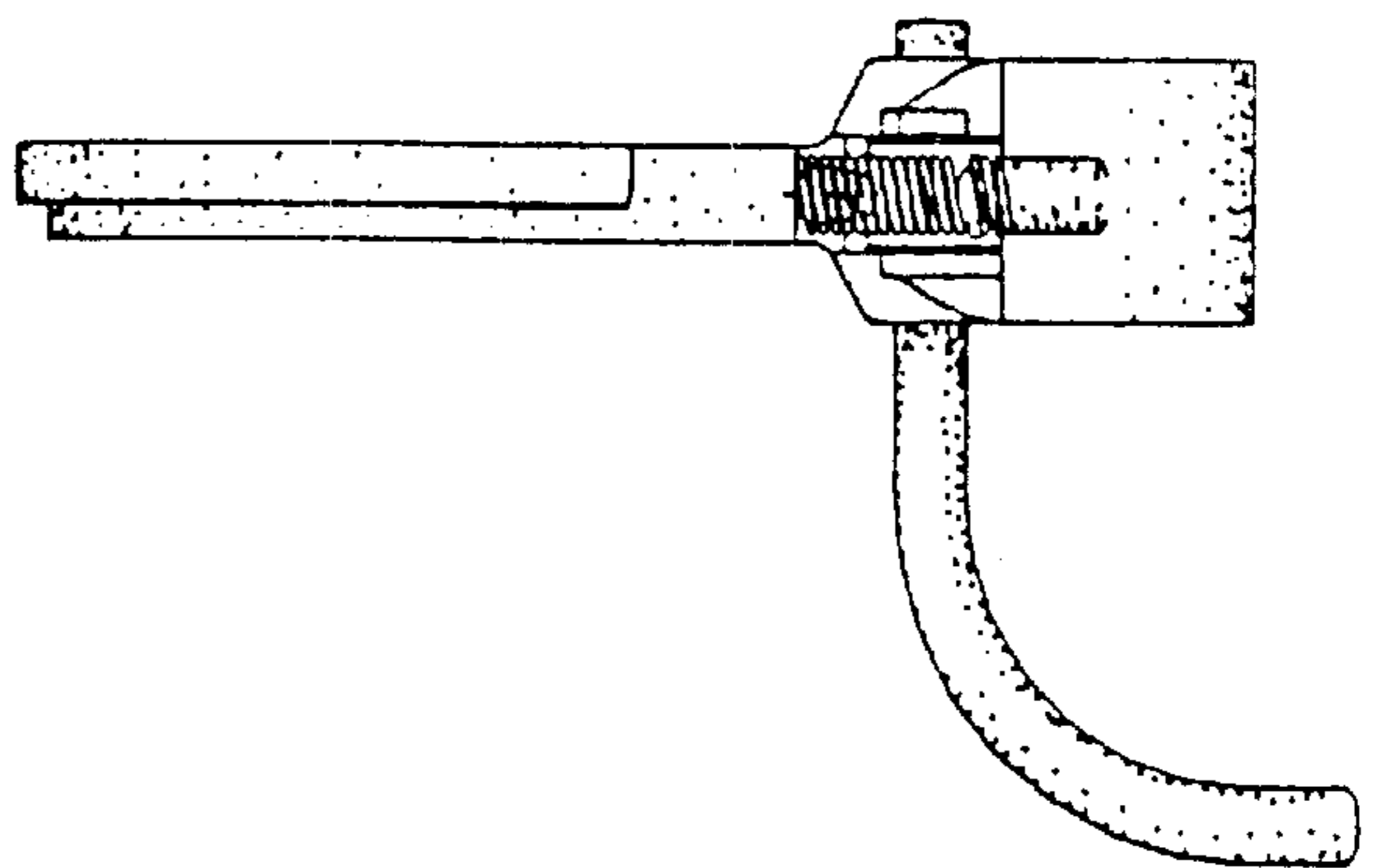


FIG. 7