



US00D487117S

(12) **United States Design Patent**  
**Kang**

(10) **Patent No.:** **US D487,117 S**

(45) **Date of Patent:** **\*\* Feb. 24, 2004**

(54) **GAME CAPSULE**

(76) **Inventor:** **James J. Kang**, 402, Morningbil,  
898-17, Daechi4-dong, Gangnam-gu,  
Seoul, 135-840 (KR)

(\*\*) **Term:** **14 Years**

(21) **Appl. No.:** **29/181,226**

(22) **Filed:** **May 8, 2003**

(51) **LOC (7) Cl.** ..... **21-01**

(52) **U.S. Cl.** ..... **D21/333; D21/324**

(58) **Field of Search** ..... **D21/324-333;**  
**273/148 B; 463/1, 7, 29-35, 46, 47; 348/156,**  
**905, 473**

(56) **References Cited**

**U.S. PATENT DOCUMENTS**

- D384,110 S \* 9/1997 Stambolic et al. .... D21/324
- D412,722 S \* 8/1999 Bagley ..... D21/329
- D439,282 S \* 3/2001 Yamaguchi ..... D21/329

- 6,213,871 B1 \* 4/2001 Yokoi ..... 463/7
- 6,248,017 B1 \* 6/2001 Roach ..... 463/1
- 6,364,771 B1 \* 4/2002 Lee ..... 273/148 B

\* cited by examiner

*Primary Examiner*—Prabhakar Deshmukh  
(74) *Attorney, Agent, or Firm*—Fleshner & Kim,LLP

(57) **CLAIM**

The ornamental design for a game capsule, as shown and described.

**DESCRIPTION**

FIG. 1 is a front perspective view of a game capsule showing my new design;  
FIG. 2 is a front view thereof;  
FIG. 3 is a right side view thereof;  
FIG. 4 is a left side view thereof;  
FIG. 5 is a top view thereof;  
FIG. 6 is a bottom view thereof; and,  
FIG. 7 is a rear view thereof.

**1 Claim, 4 Drawing Sheets**

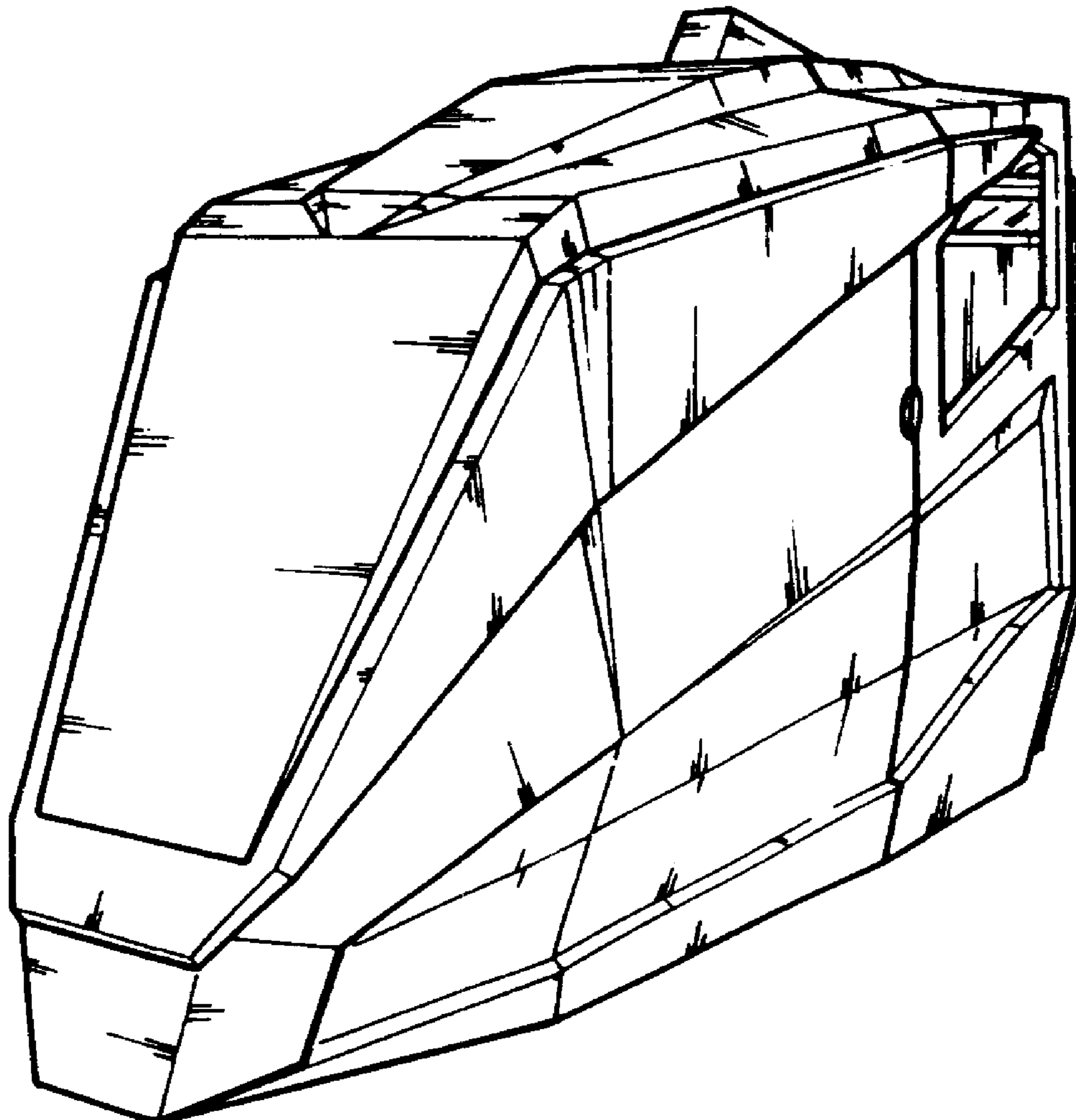


Figure 1

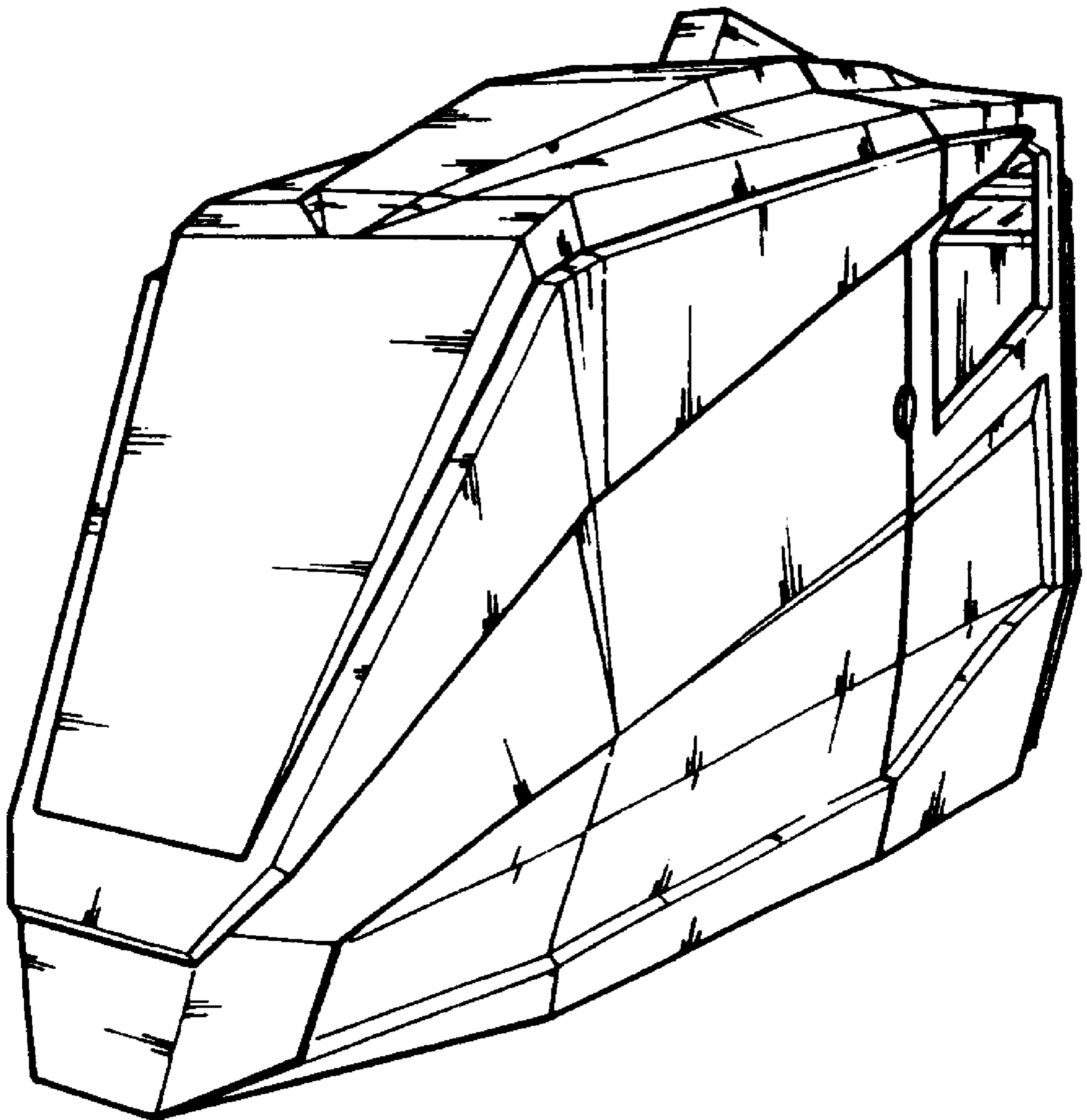


Figure 2

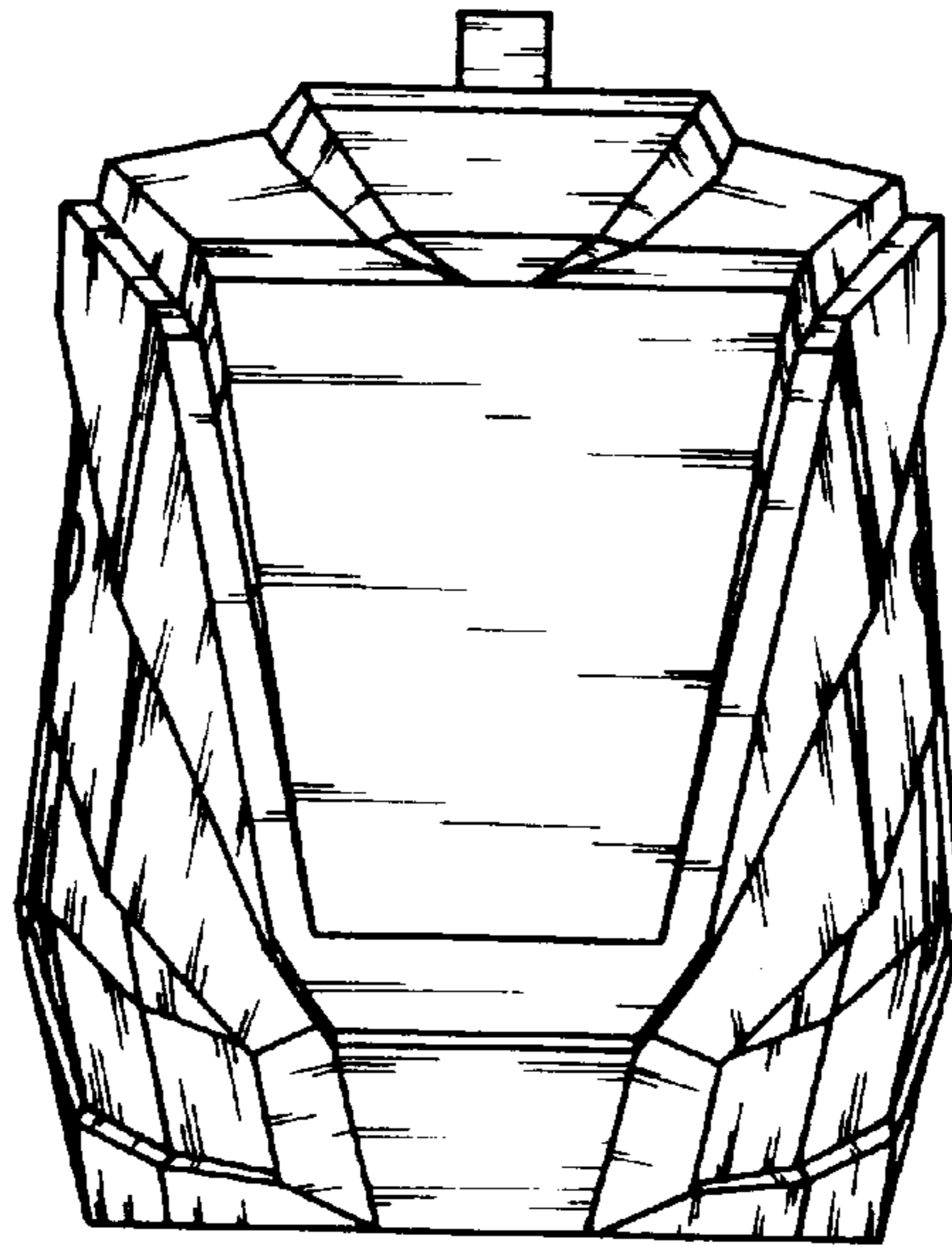


Figure 3

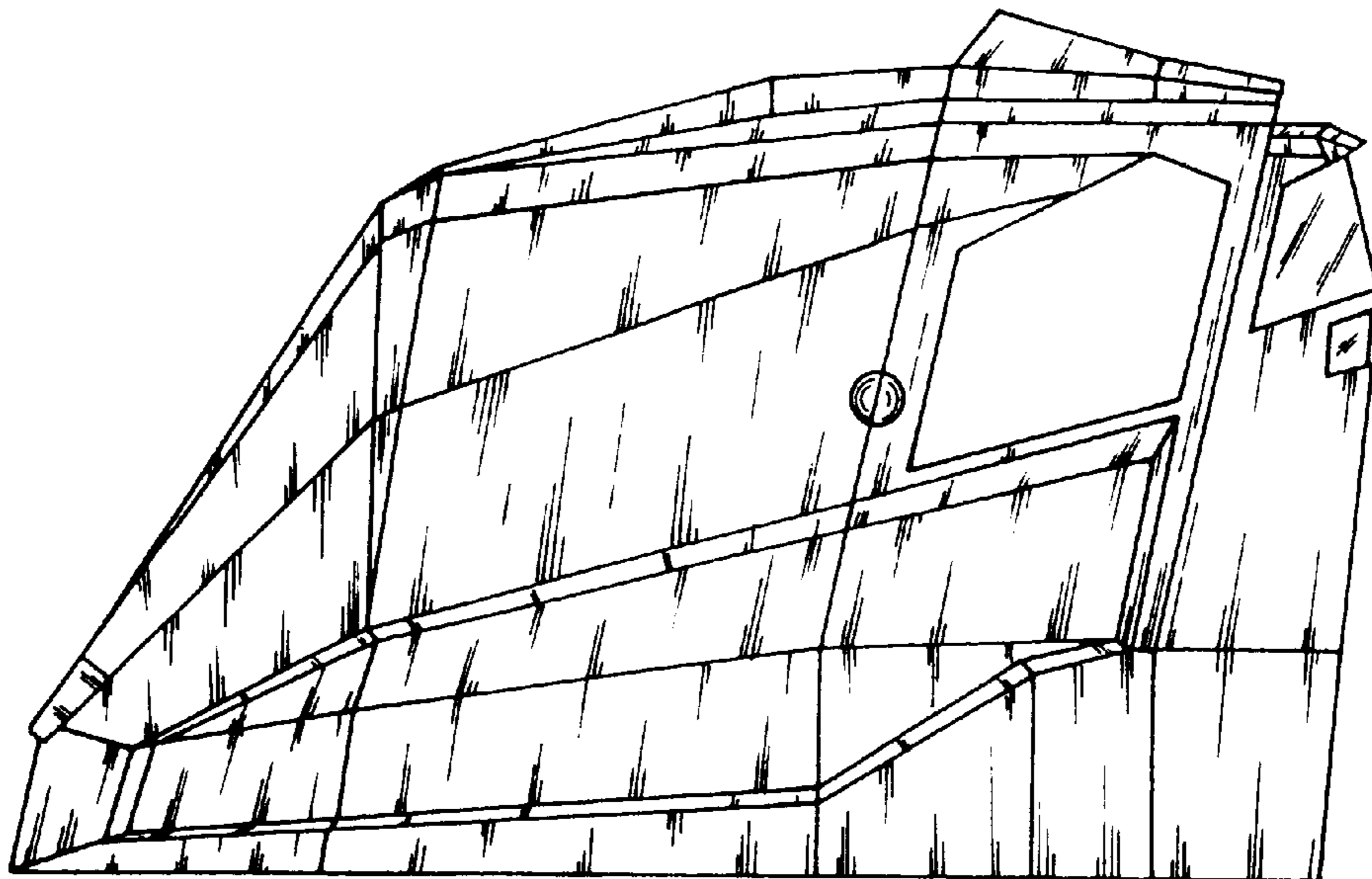


Figure 4

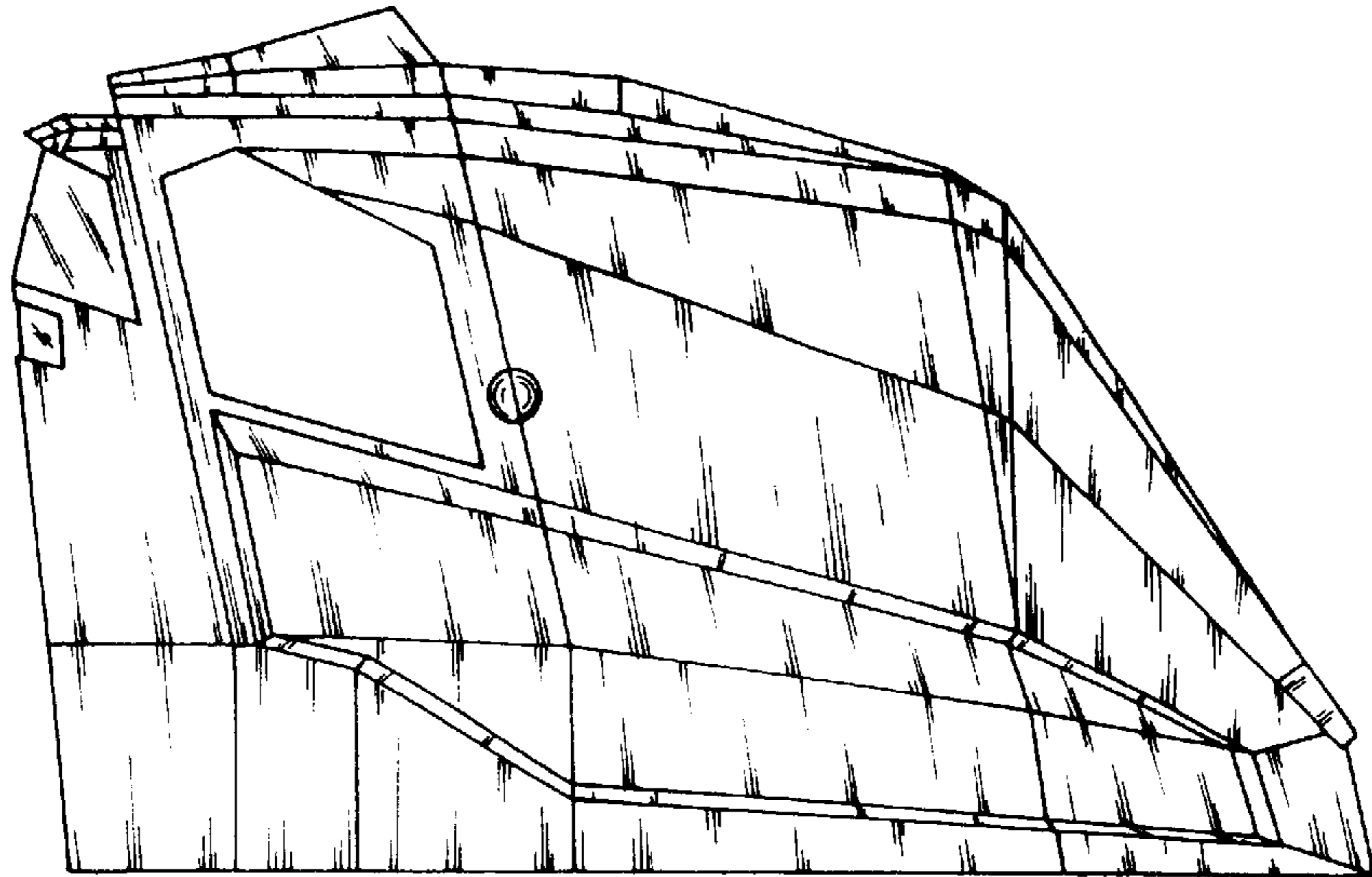


Figure 5

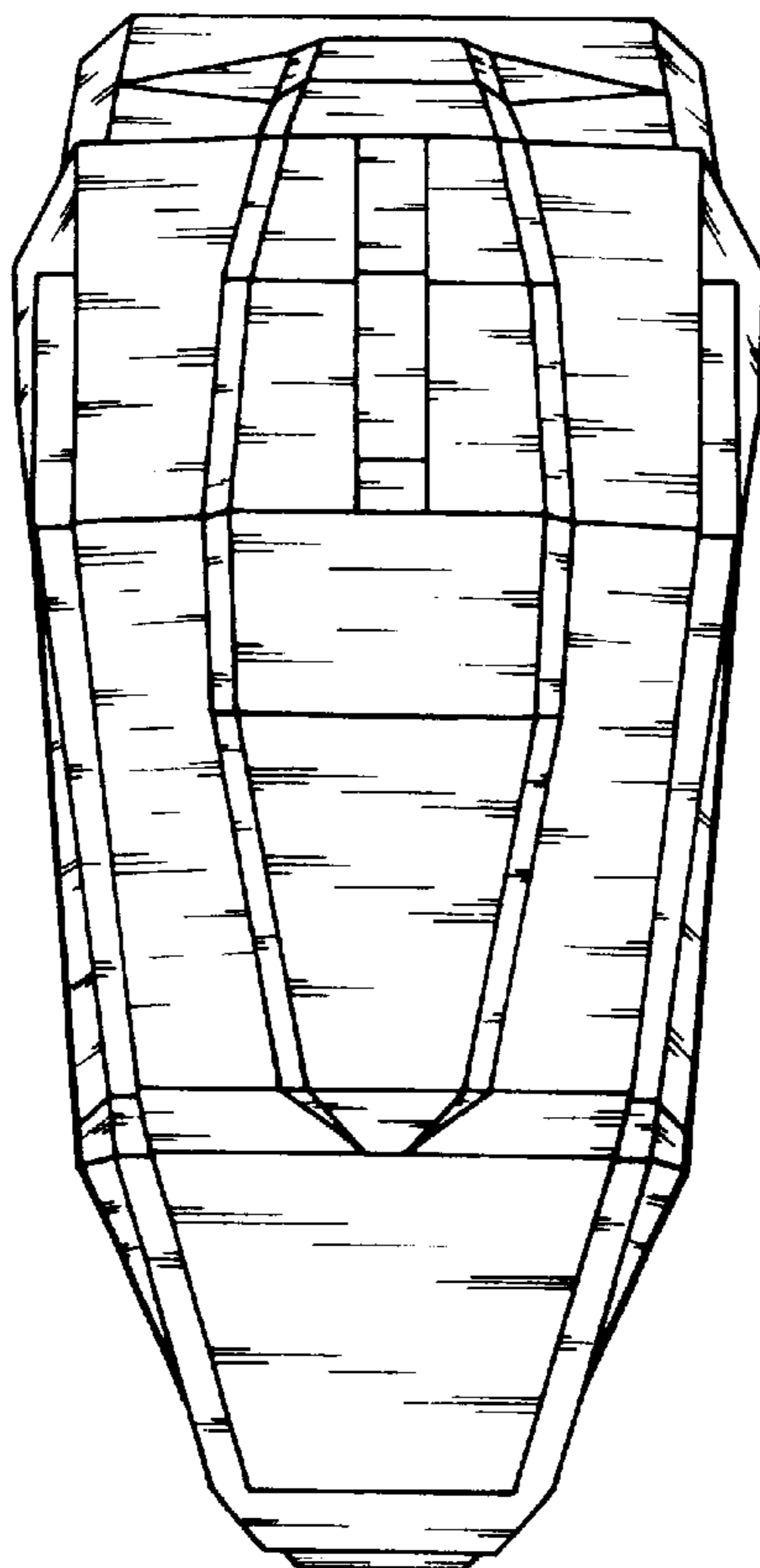


Figure 6

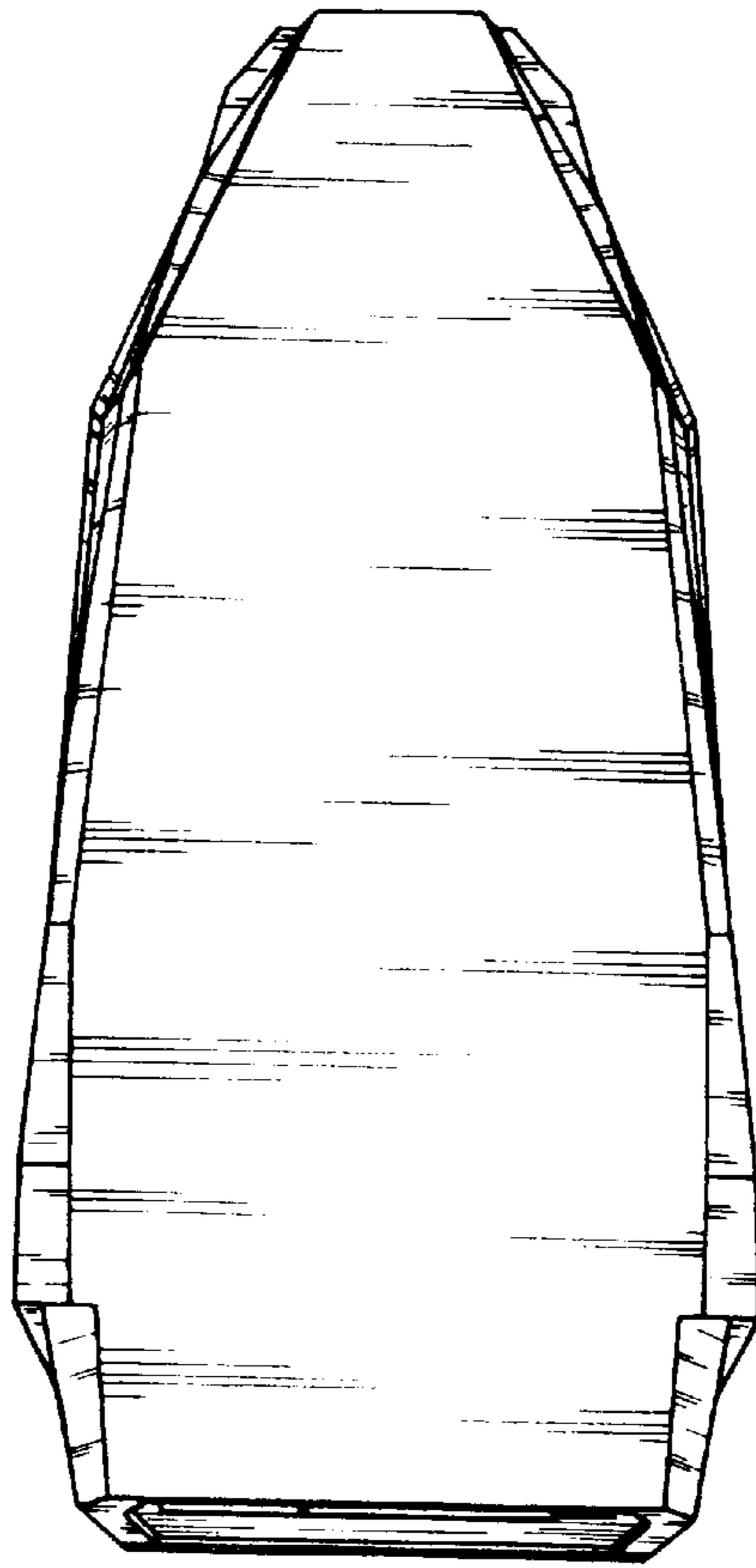


Figure 7

