



US00D487111S

(12) **United States Design Patent**
Rosenbaum

(10) **Patent No.:** **US D487,111 S**

(45) **Date of Patent:** **** Feb. 24, 2004**

(54) **WRITING INSTRUMENT**

(75) **Inventor:** **Barry Rosenbaum**, West Bloomfield, MI (US)

(73) **Assignee:** **Advance Watch Company, Ltd.**, Warren, MI (US)

(**) **Term:** **14 Years**

(21) **Appl. No.:** **29/183,237**

(22) **Filed:** **Jun. 9, 2003**

Related U.S. Application Data

(62) Division of application No. 29/147,280, filed on Aug. 24, 2001, now Pat. No. Des. 477,022.

(51) **LOC (7) Cl.** **19-06**

(52) **U.S. Cl.** **D19/36; D19/46; D19/51**

(58) **Field of Search** **D19/35, 36, 41-51, D19/53-58, 75, 81-85; 401/6, 7, 88, 52, 195, 209**

(56) **References Cited**

U.S. PATENT DOCUMENTS

111,287 A	1/1871	Wendell
255,961 A	4/1882	Faber
412,479 A	10/1889	Davis
544,990 A	8/1895	Miller
614,630 A	11/1898	Stewart
624,853 A	5/1899	Oberbeck
770,363 A	9/1904	Goldsmith
782,388 A	2/1905	Goldsmith
839,537 A	12/1906	Beaumel
1,365,366 A	1/1921	Ashby
1,459,517 A	6/1923	Sawyer

(List continued on next page.)

OTHER PUBLICATIONS

Key Holder, Chain, Magnifying Glass, Hong Kong Enterprise Catalogue, Jun. 1981, p. 147.

Smoothest For Writing Study and Promotion, Hong Kong Enterprise Catalogue, Oct. 1981, p. 226.

Magic 8 Ball, Yesterdayland Toys, www.yesterdayland.com/popopedia/shows/toys/ty1039.php, p. 1-3.

Primary Examiner—Martie K. Holtje

(74) *Attorney, Agent, or Firm*—Brooks Kushman P.C.

(57) **CLAIM**

The ornamental design for a writing instrument, as shown and described.

DESCRIPTION

FIG. 1 is a top perspective view of the first embodiment of the writing instrument of this invention;

FIG. 2 is a right side elevational view of the first embodiment of the writing instrument of this invention, the left side elevational view being a mirror image thereof;

FIG. 3 is a top elevational view of the first embodiment of the writing instrument of this invention;

FIG. 4 is a bottom elevational view of the first embodiment of the writing instrument of this invention;

FIG. 5 is a bottom plan view of the first embodiment of the writing instrument of this invention;

FIG. 6 is a top plan view of the first embodiment of the writing instrument of this invention;

FIG. 7 is a top perspective view of the second embodiment of the writing instrument of this invention;

FIG. 8 is a right side elevational view of the second embodiment of the writing instrument of this invention, the left side elevational view being a mirror image thereof;

FIG. 9 is a top elevational view of of the second embodiment of the writing instrument of this invention;

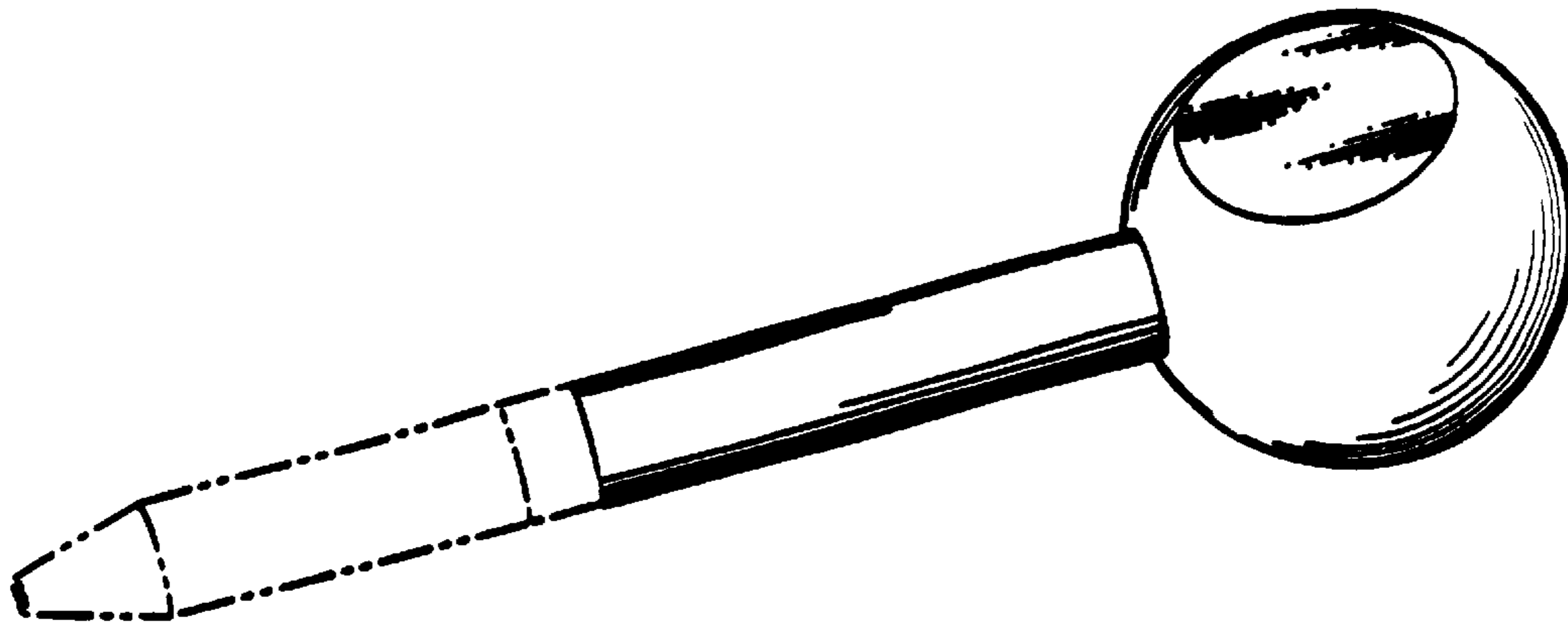
FIG. 10 is a bottom elevational view of the second embodiment of the writing instrument of this invention;

FIG. 11 is a bottom plan view of the second embodiment of the writing instrument of this invention; and,

FIG. 12 is a top plan view of the second embodiment of the writing instrument of this invention.

The portions of the writing instrument depicted by means of broken lines have been shown for illustrative purposes only and form no part of the claimed design.

1 Claim, 2 Drawing Sheets



US D487,111 S

Page 2

U.S. PATENT DOCUMENTS

D64,772 S	5/1924	Swanberg		D329,459 S	9/1992	Sullivan	
1,736,430 A *	11/1929	Deli	401/52 X	D329,461 S	9/1992	Katami	
D80,362 S	1/1930	Cuthbert et al.		D330,388 S	10/1992	Choi	
D81,748 S	8/1930	Kahn		D331,777 S	12/1992	Sedlmeier et al.	
D82,821 S	12/1930	Furedy		D337,611 S *	7/1993	Peersmann	D19/48
1,859,524 A	5/1932	Nicolet		D338,915 S	8/1993	Willat	
1,868,441 A	7/1932	Colfelt		D342,087 S	12/1993	Mear et al.	
D89,339 S	2/1933	Hale		D346,619 S	5/1994	Ho	
1,938,835 A	12/1933	Grzyb		5,313,557 A	5/1994	Osterhout	
D92,534 S	6/1934	Hale		D352,958 S	11/1994	Thompson	
D100,845 S	8/1936	Bloser		D353,397 S	12/1994	Banik	
2,147,561 A	2/1939	Sherlock		D353,619 S	12/1994	Kneller	
2,236,194 A	3/1941	Lorber		D355,441 S	2/1995	Rosenbaum	
2,266,942 A	12/1941	Wallace		D357,275 S *	4/1995	Covington et al.	D19/42
D138,875 S	9/1944	Weiss		D357,500 S *	4/1995	Mutterperl	D19/36
D146,025 S	12/1946	Harris		D358,606 S	5/1995	Davis et al.	
D150,320 S	7/1948	Starr		5,419,592 A	5/1995	Stuart	
D160,309 S	10/1950	Fainberg et al.		D359,758 S	6/1995	Inami	
D162,522 S	3/1951	Currence et al.		D359,982 S	7/1995	Rosenbaum	
D175,864 S	10/1955	Steinberg et al.		D359,983 S	7/1995	Rosenbaum	
D178,632 S	9/1956	Bloser		D360,650 S	7/1995	Irby	
D181,180 S	10/1957	Bloser		D363,084 S	10/1995	Hollington	
D182,239 S	3/1958	Lemon		D369,189 S	4/1996	Stambolic et al.	
2,845,047 A	7/1958	McKendree		D369,387 S	4/1996	Stambolic et al.	
2,956,547 A	10/1960	Hovey, Jr.		D370,940 S	6/1996	Stambolic et al.	
3,119,621 A	1/1964	Bookman		D371,165 S	6/1996	Stambolic et al.	
3,168,315 A	2/1965	Bookman		D374,252 S	10/1996	Stambolic et al.	
3,250,033 A	5/1966	Siegel		D377,051 S	12/1996	Takamura	
3,615,596 A *	10/1971	Petti et al.	401/52 X	D388,825 S	1/1998	Kouda	
D227,037 S	5/1973	Bajusz		D395,917 S	7/1998	Rosenbaum	
3,961,852 A	6/1976	Parry		D395,918 S	7/1998	Rosenbaum	
D240,817 S	8/1976	Funahashi		D395,919 S	7/1998	Rosenbaum	
4,007,364 A	2/1977	Ojima et al.		D396,058 S	7/1998	Schmidt et al.	
4,035,089 A	7/1977	Schwartz et al.		D402,690 S	12/1998	Hazzard	
D246,530 S *	11/1977	Zeischegg	D19/75	D403,017 S	12/1998	Barrozo	
4,141,073 A	2/1979	Tan		D406,276 S	3/1999	Alvarado et al.	
D252,973 S	9/1979	Bateman et al.		D408,853 S	4/1999	Hornsby et al.	
4,167,347 A	9/1979	Hoyle		D411,726 S	6/1999	Novak	
D259,727 S	6/1981	Zierhut		D411,858 S	7/1999	Katami	
D260,101 S	8/1981	Gomez		D415,197 S	10/1999	Izushima	
D265,212 S	6/1982	Spiegel		D418,163 S	12/1999	Rosen	
D269,445 S	6/1983	Kruckel et al.		D418,873 S	1/2000	Shen	
4,438,926 A	3/1984	Yokoi et al.		D421,625 S	3/2000	Oka	
4,504,062 A	3/1985	Smith, III et al.		D421,627 S *	3/2000	Gootnick	D19/57
4,530,503 A *	7/1985	Rice	401/195 X	6,039,492 A	3/2000	Chen	
4,541,630 A	9/1985	Dirks		D424,110 S	5/2000	Hu	
4,601,598 A	7/1986	Schwartz et al.		D425,559 S	5/2000	Beneyto	
D289,424 S	4/1987	Huang		D425,935 S *	5/2000	Schimmel	D19/57
4,798,016 A	1/1989	Venditti et al.		D433,446 S	11/2000	Rosenbaum	
4,801,145 A	1/1989	Arevalo		D433,447 S	11/2000	Rosenbaum	
D300,229 S	3/1989	Lee		D433,448 S	11/2000	Rosenbaum	
D307,444 S	4/1990	Poisson et al.		D436,126 S	1/2001	Rosenbaum	
D307,600 S	5/1990	Singer		D436,375 S	1/2001	Rosenbaum	
4,932,800 A	6/1990	Lin et al.		D436,622 S	1/2001	Rosenbaum	
4,948,284 A	8/1990	Ligott		D436,941 S	1/2001	Kataoka	
4,983,062 A	1/1991	Hour		D437,002 S	1/2001	Wudtke et al.	
D314,978 S	2/1991	Oka		D438,903 S	3/2001	Rosenbaum	
5,000,599 A	3/1991	McCall et al.		D447,172 S *	8/2001	Cohen	D19/42
D316,427 S	4/1991	Tinz		D447,178 S	8/2001	Rosenbaum	
5,016,881 A	5/1991	Lindsey		6,273,421 B1	8/2001	Thalheimer et al.	
D319,662 S	9/1991	Henry		D449,857 S	10/2001	Rosenbaum	
D321,009 S	10/1991	Yubisui		D450,086 S	11/2001	Rosenbaum	
D321,720 S	11/1991	Sakurada		6,368,176 B1	4/2002	Lozowski et al.	
D324,067 S	2/1992	Katami		D477,022 S *	7/2003	Rosenbaum	D19/36
D327,703 S	7/1992	Katami					

* cited by examiner

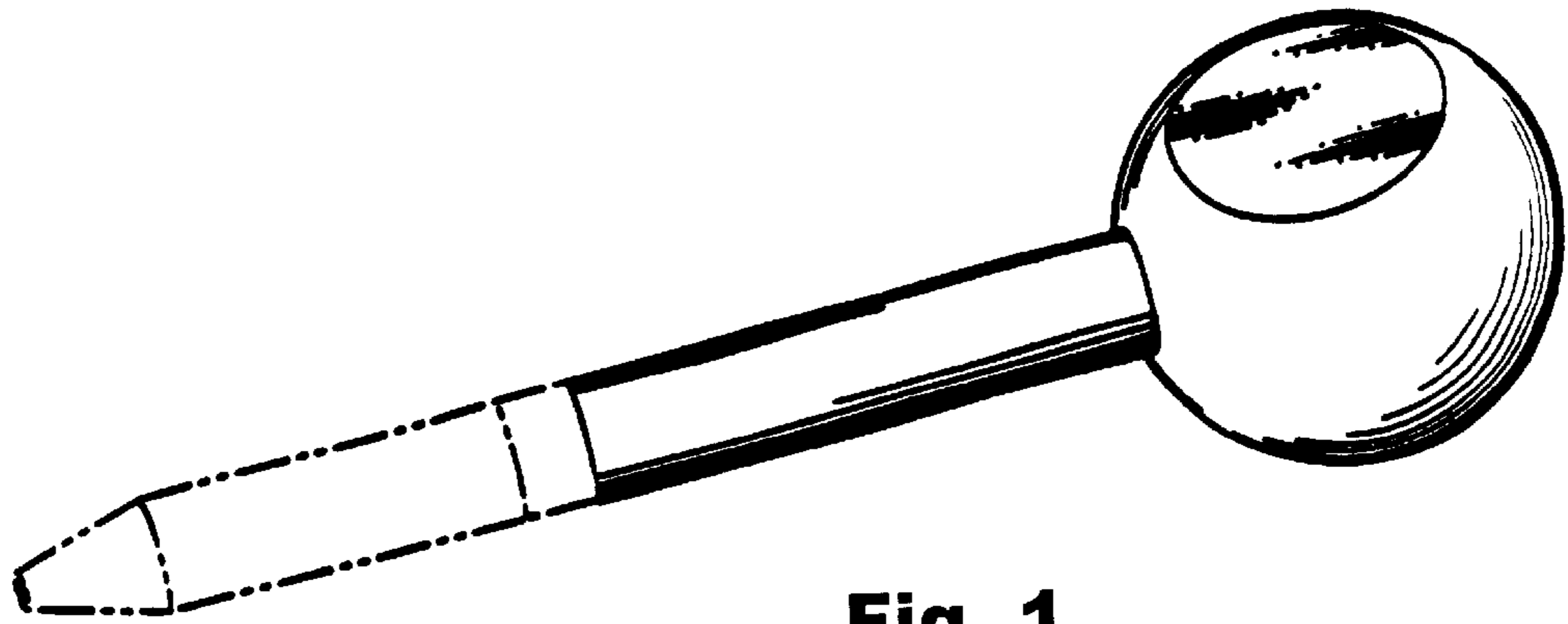


Fig. 1

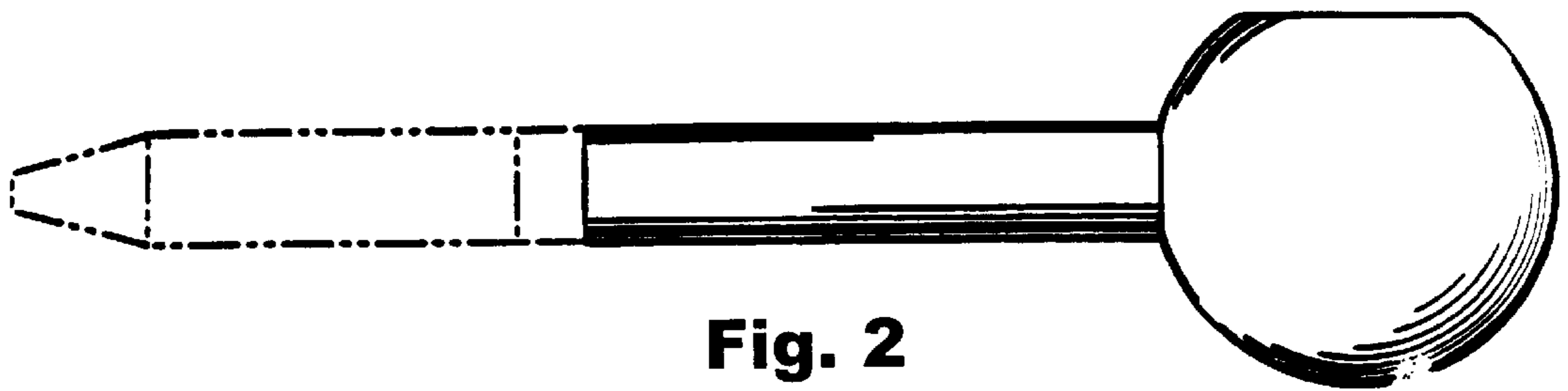


Fig. 2

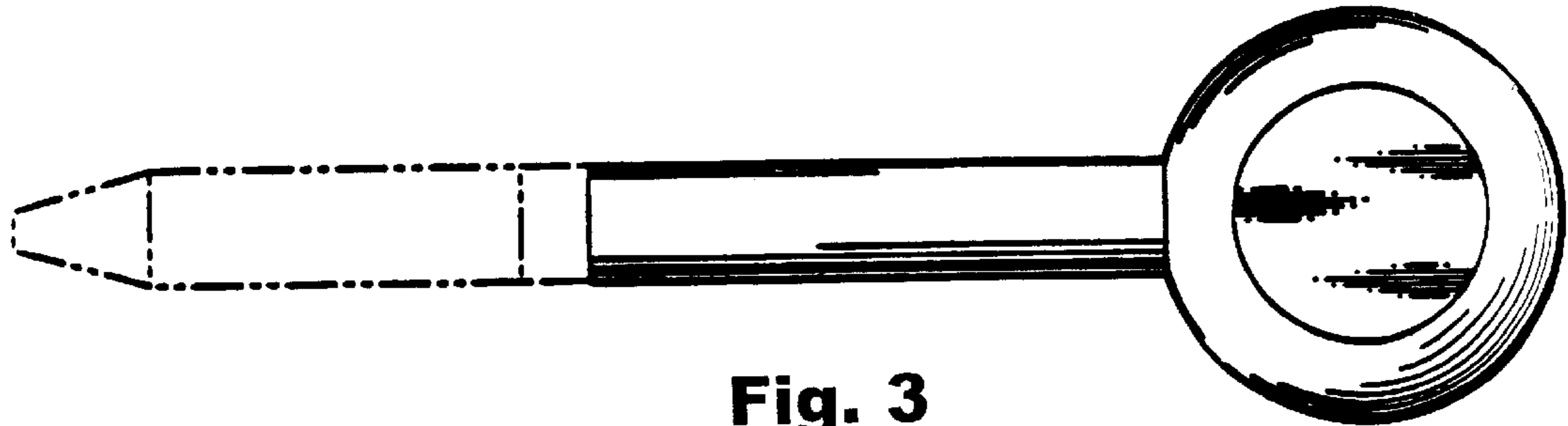


Fig. 3

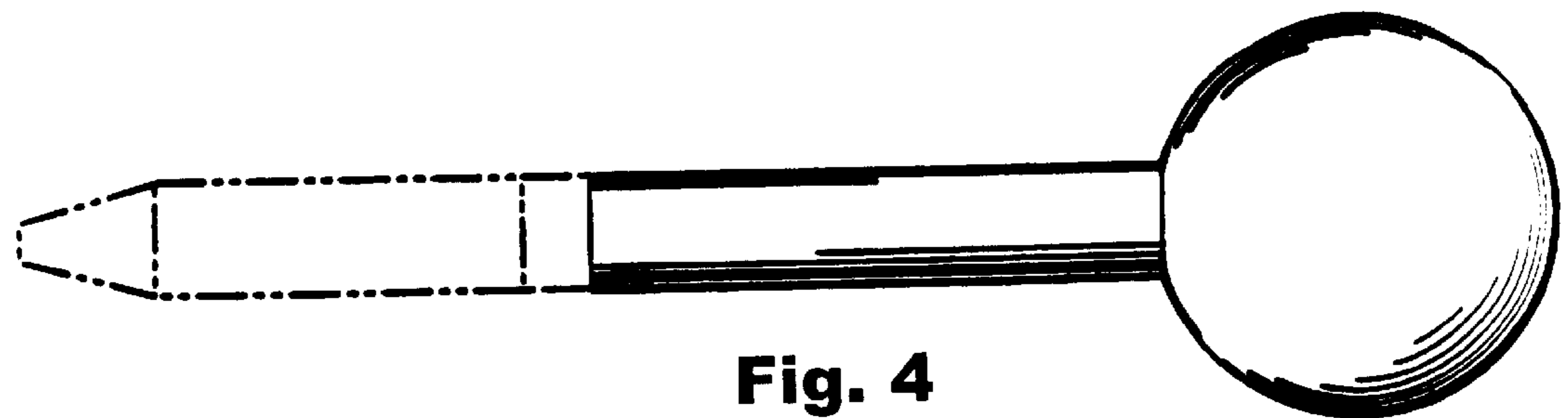


Fig. 4

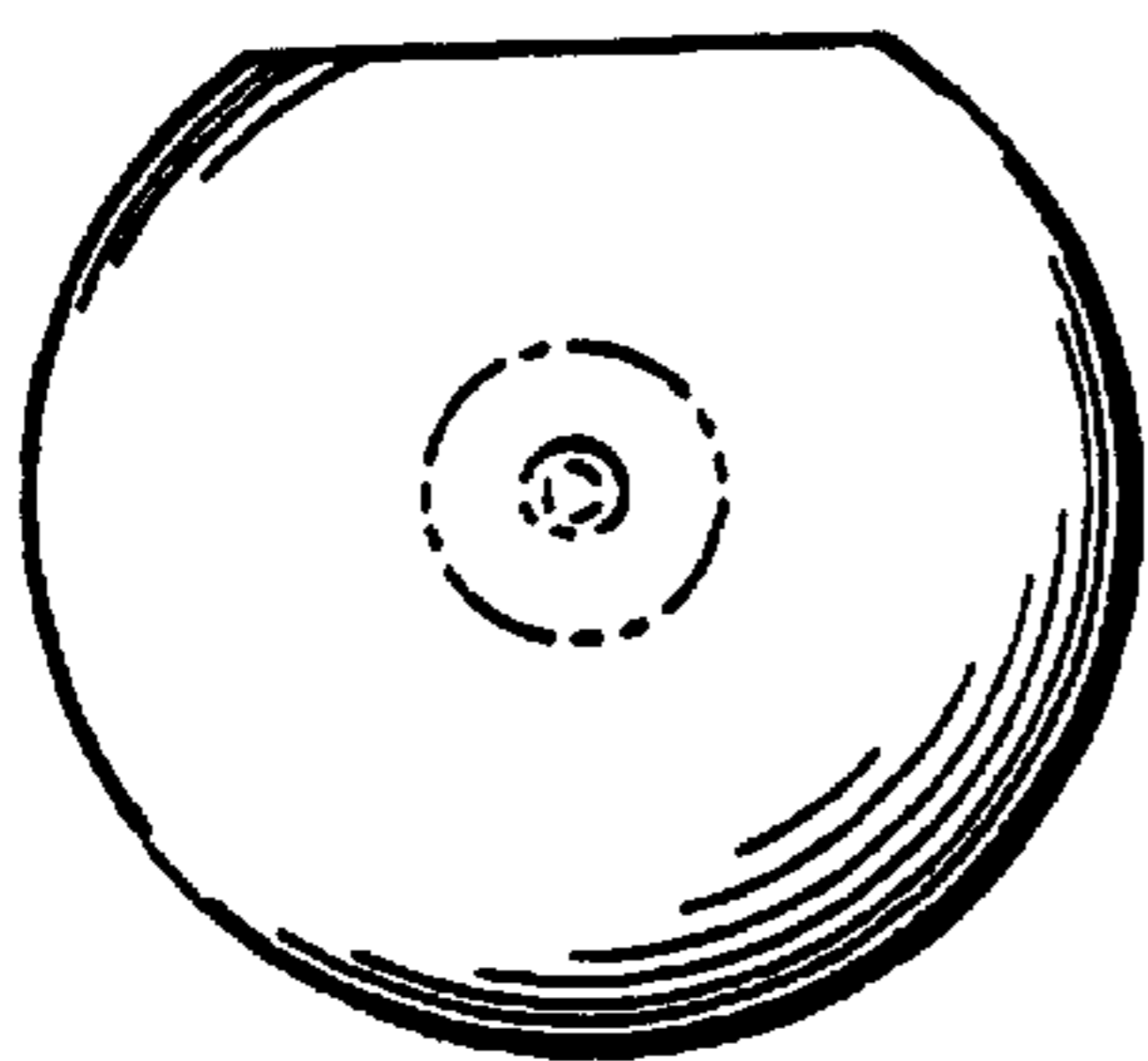


Fig. 5

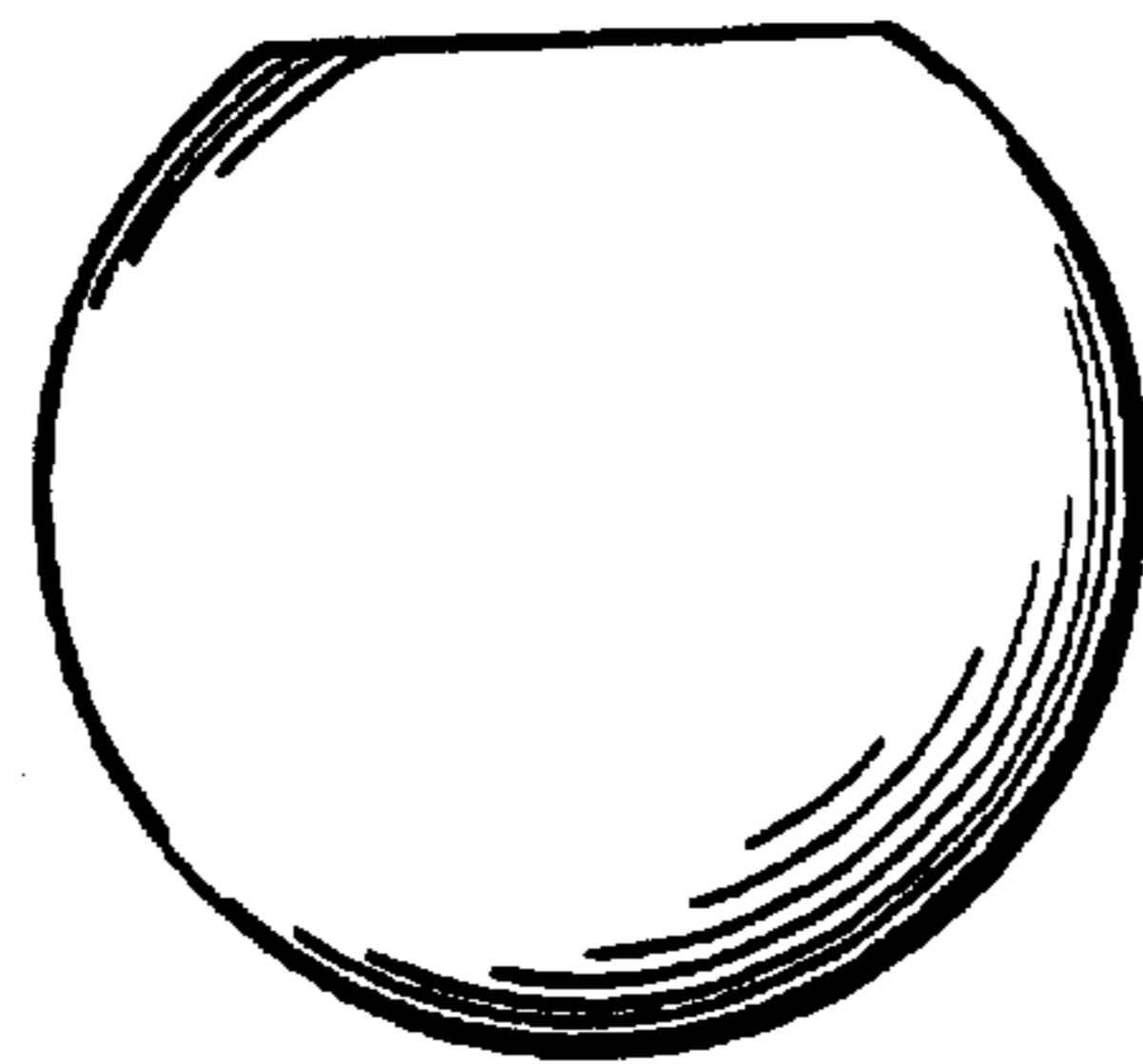


Fig. 6

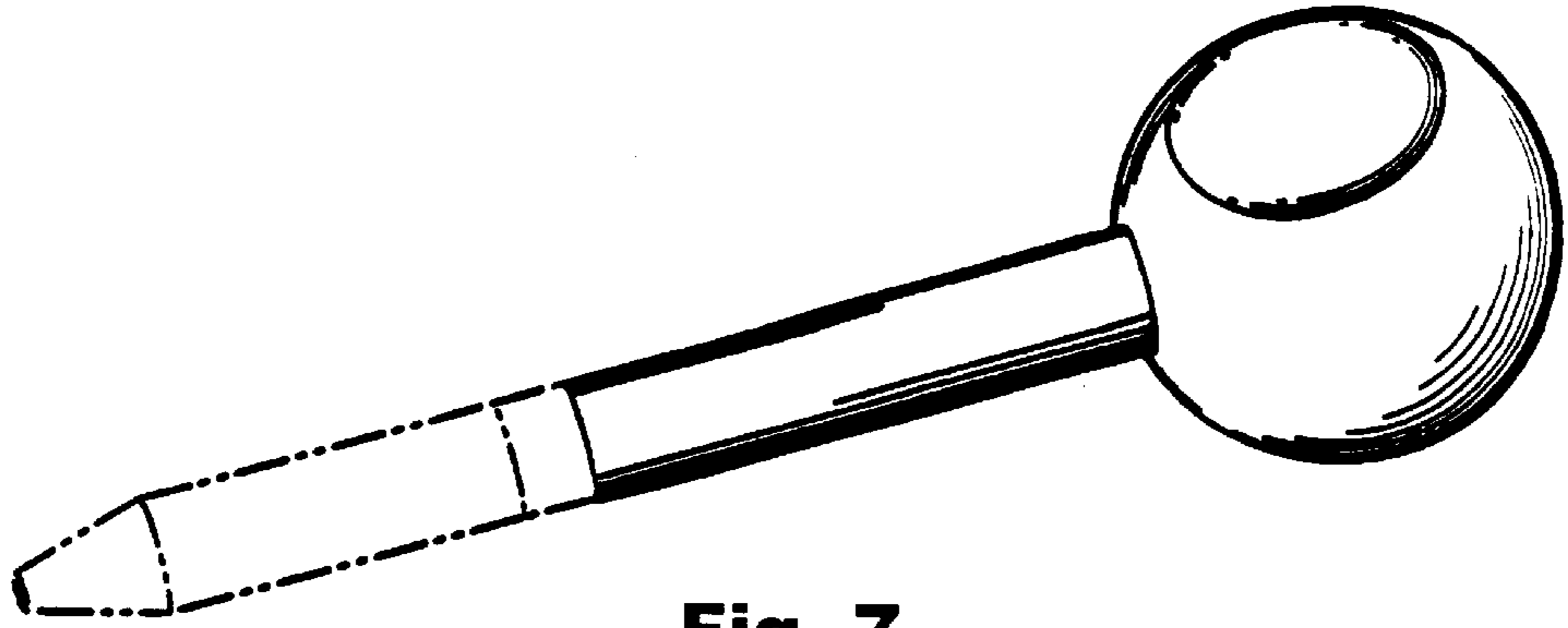


Fig. 7

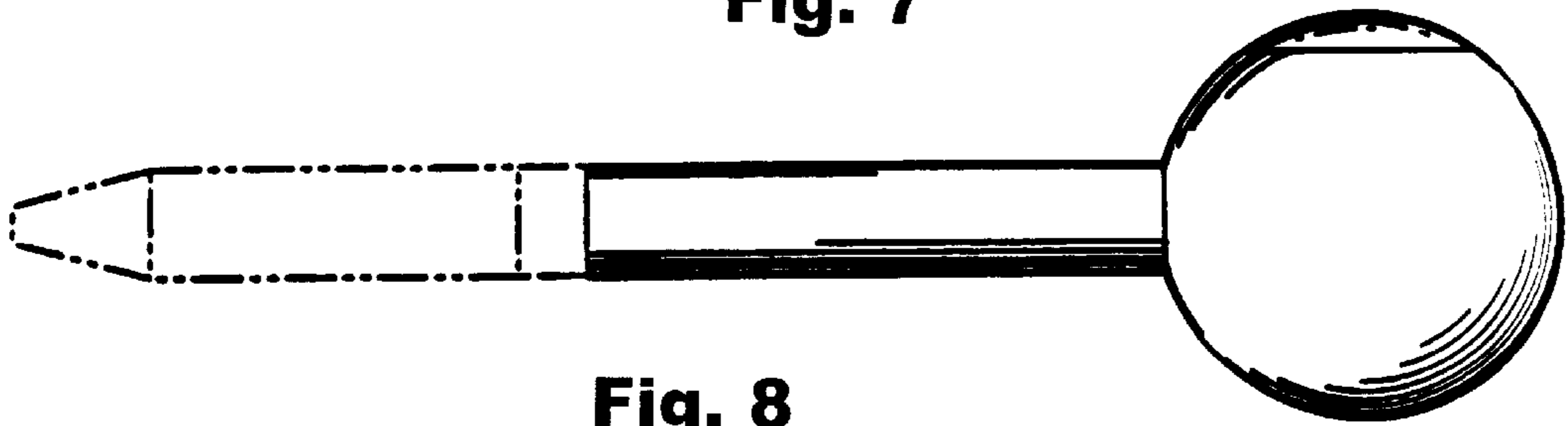


Fig. 8

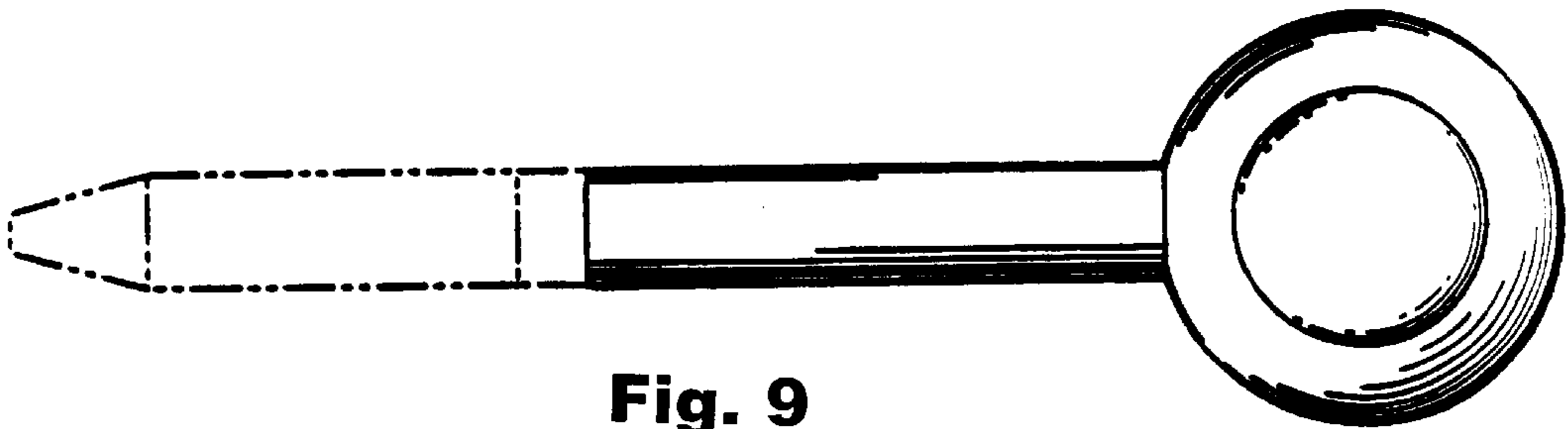


Fig. 9

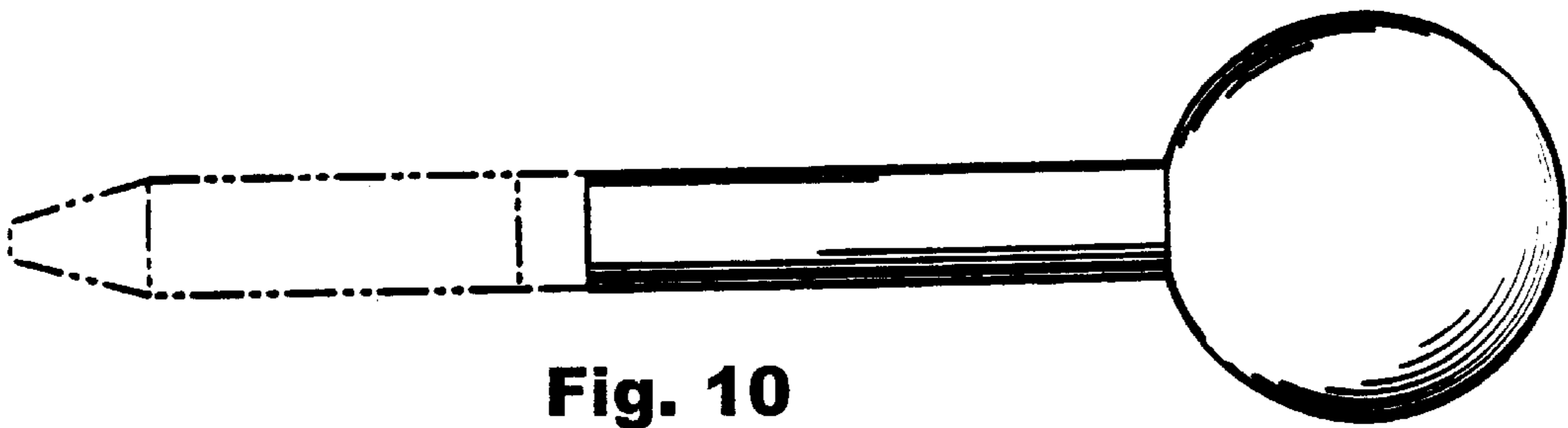


Fig. 10

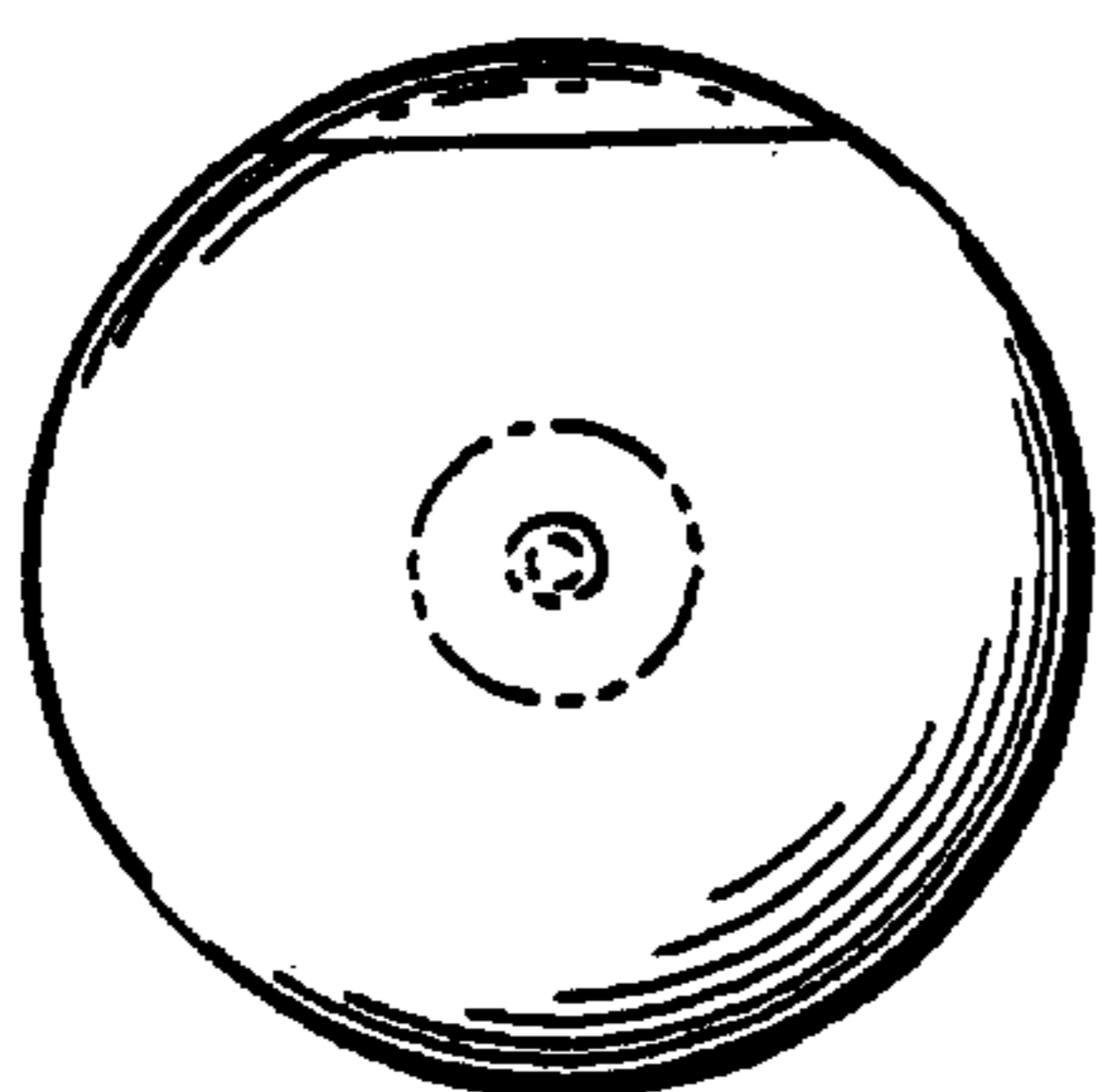


Fig. 11

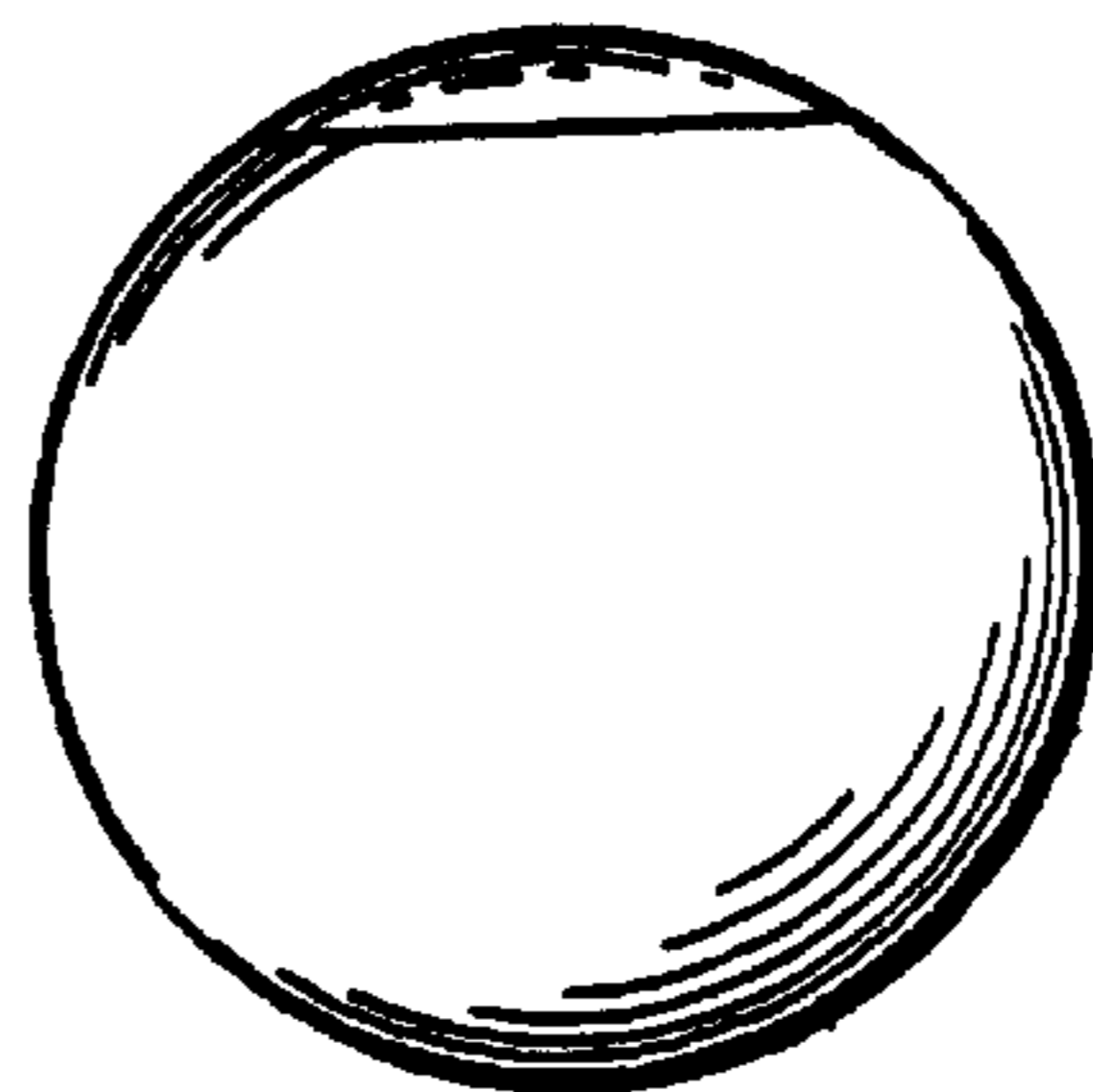


Fig. 12